



US00D417026S

United States Patent [19]

Taylor et al.

[11] Patent Number: Des. 417,026

[45] Date of Patent: ** Nov. 23, 1999

[54] POST-MOUNTED LIGHTING FIXTURE

[75] Inventors: Tommy Ray Taylor, Crawfordsville;
Sean H. Brown, Ladoga, both of Ind.;
David W. Bailey, Danville, Ill.

[73] Assignee: NSI Enterprises, Inc., Atlanta, Ga.

[**] Term: 14 Years

[21] Appl. No.: 29/091,504

[22] Filed: Jul. 30, 1998

Related U.S. Application Data

[62] Division of application No. 29/082,534, Jan. 23, 1998, Pat. No. Des. 405,206.

[51] LOC (6) Cl. 26-05

[52] U.S. Cl. D26/67

[58] Field of Search D26/67, 68, 69,
D26/70, 71; 362/431, 147

[56] References Cited

U.S. PATENT DOCUMENTS

- D. 358,898 5/1995 Compton D26/67
- D. 383,866 9/1997 Brohard et al. D26/67
- 5,599,094 2/1997 Fischer et al. 362/431 X

OTHER PUBLICATIONS

Custom lighting Inc. brochure, p. 1, CL-Monterey-SQ I, exterior luminaire, exterior lamp box, Dec. 1984.

Primary Examiner—Susan J. Lucas

Attorney, Agent, or Firm—Kenneth E. Darnell

[57] CLAIM

The ornamental design for a post-mounted lighting fixture, as shown and described.

DESCRIPTION

FIG. 1 is a top perspective view of the post-mounted lighting fixture showing the new design;

FIG. 2 is a bottom perspective view thereof;

FIG. 3 is a front elevational view thereof;

FIG. 4 is a top plan view thereof;

FIG. 5 is a bottom view thereof;

FIG. 6 is a side elevational view thereof;

FIG. 7 is a top perspective view of a second embodiment of the post-mounted lighting fixture showing the new design;

FIG. 8 is a bottom perspective view thereof;

FIG. 9 is a front elevational view thereof;

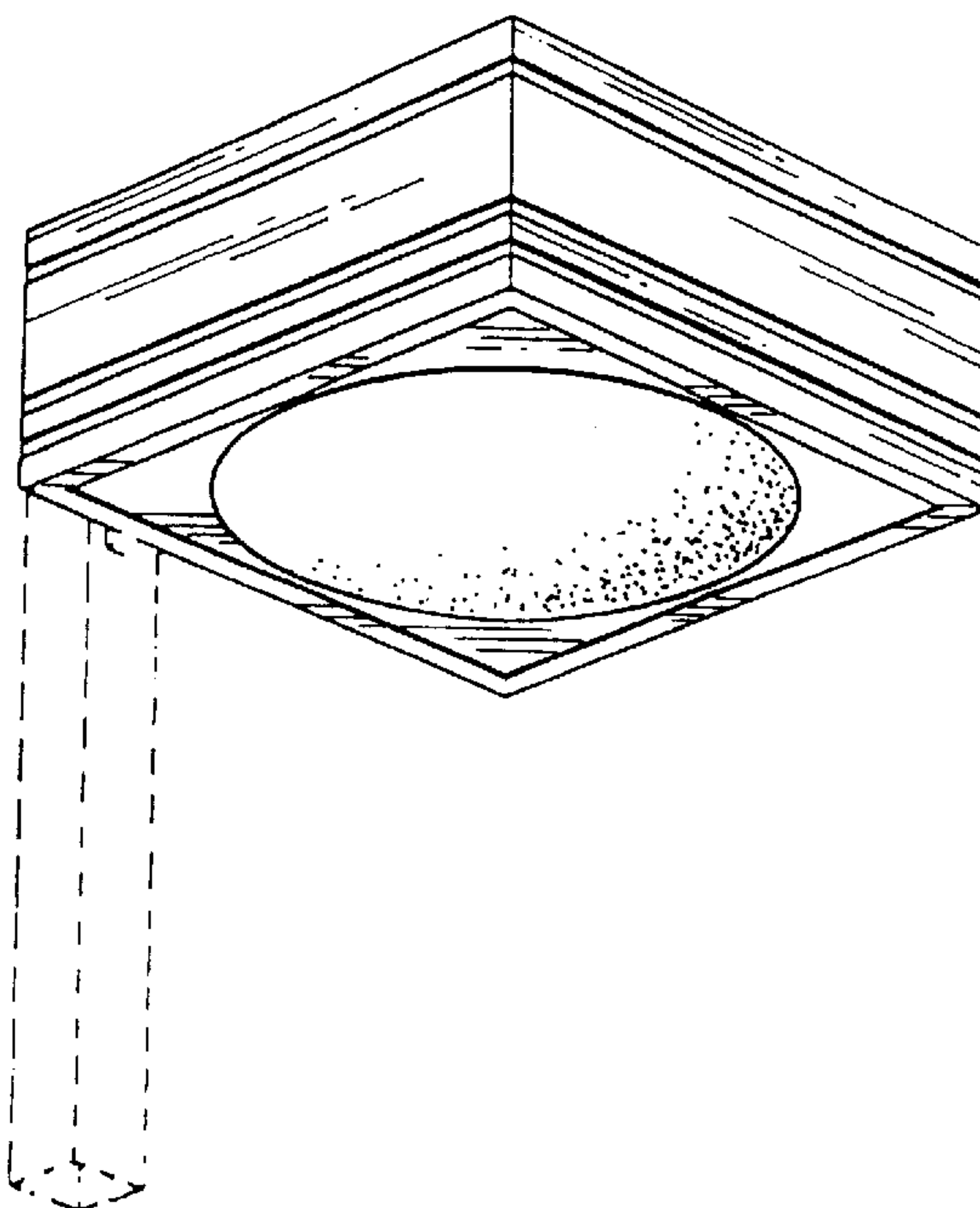
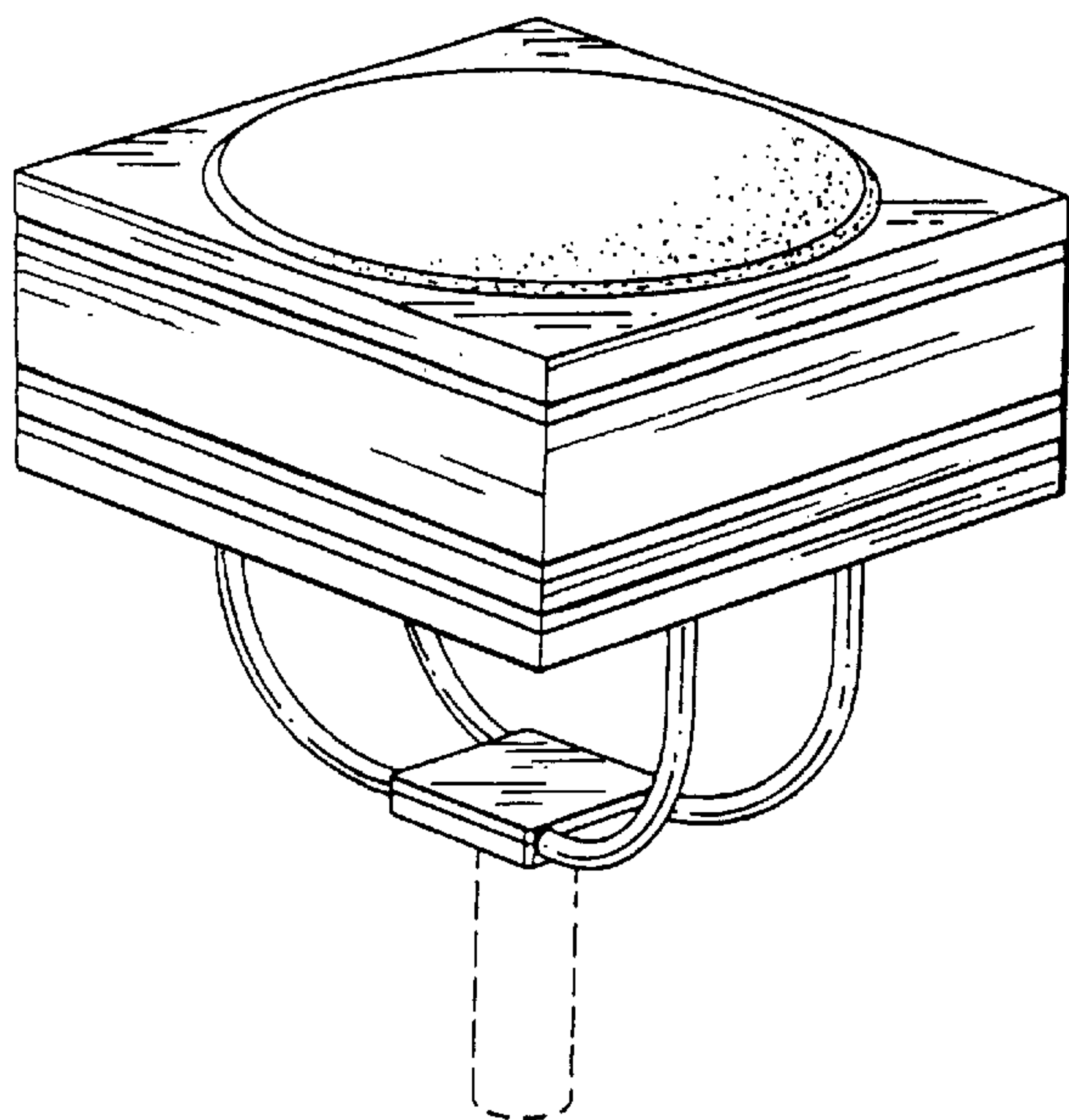
FIG. 10 is a top plan view thereof;

FIG. 11 is a bottom view thereof; and,

FIG. 12 is a side elevational view thereof.

The post is shown in broken lines for illustrative purposes only and forms no part of the claimed design.

1 Claim, 4 Drawing Sheets



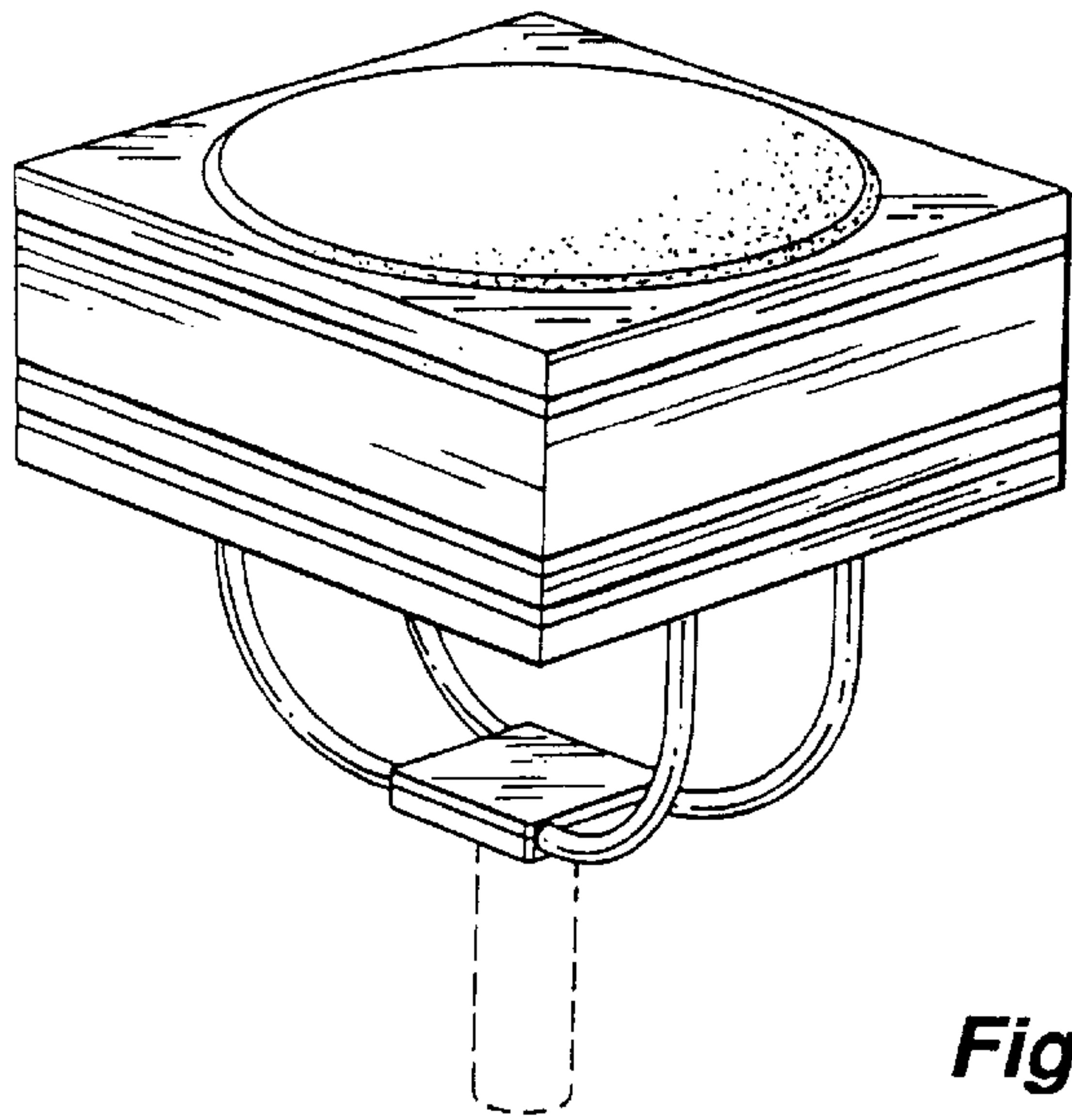


Fig. 1

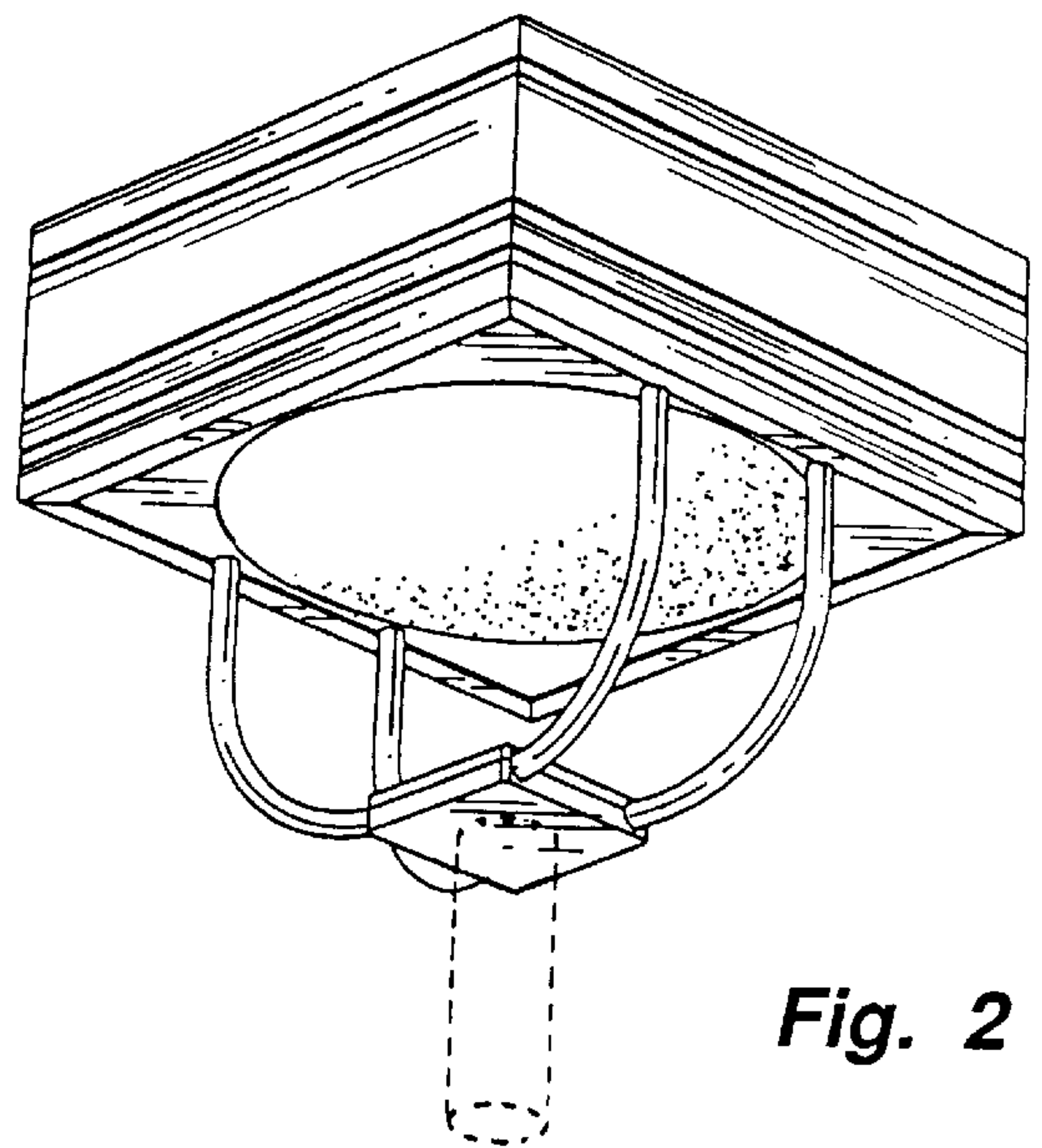


Fig. 2

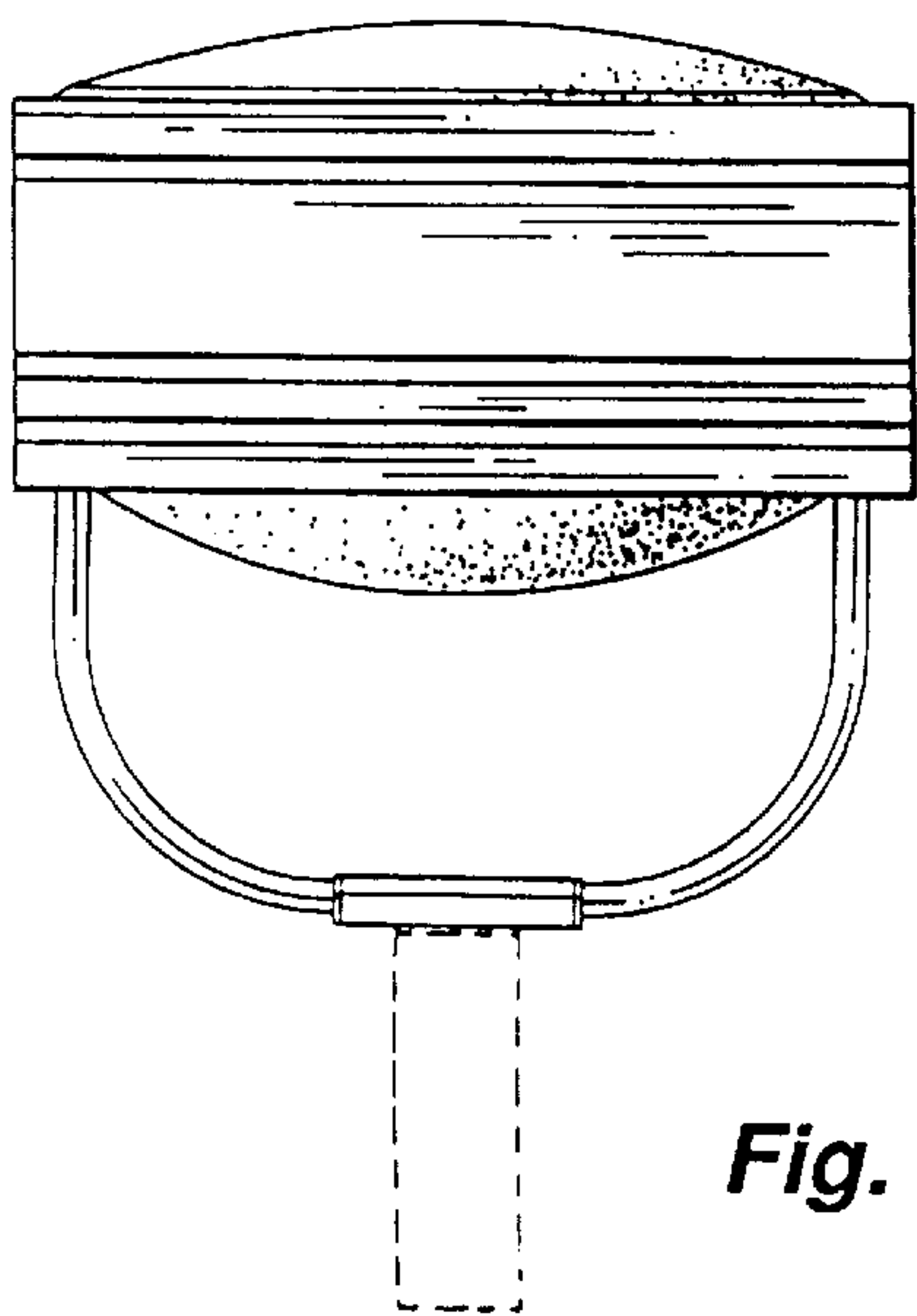


Fig. 3

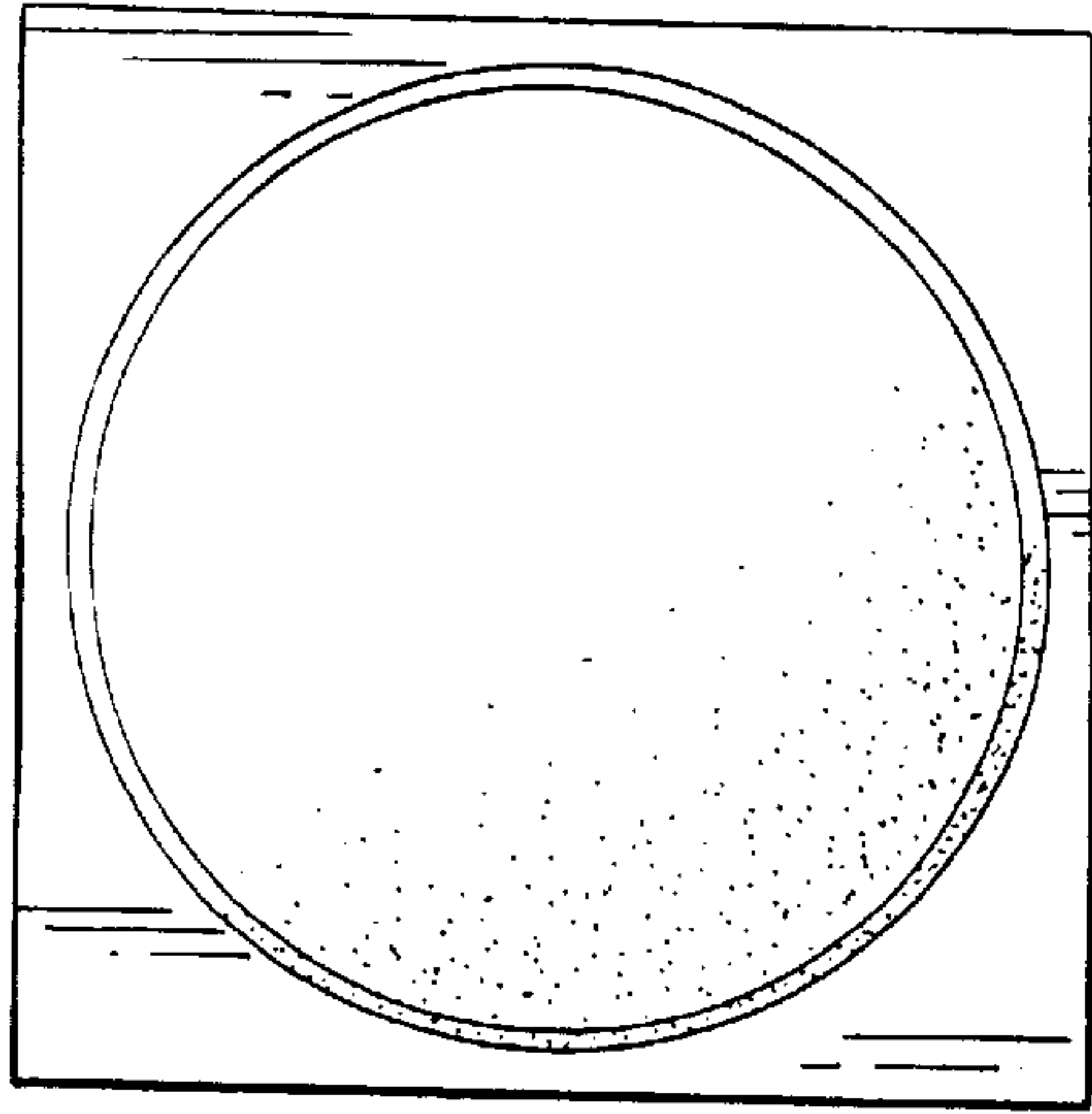


Fig. 4

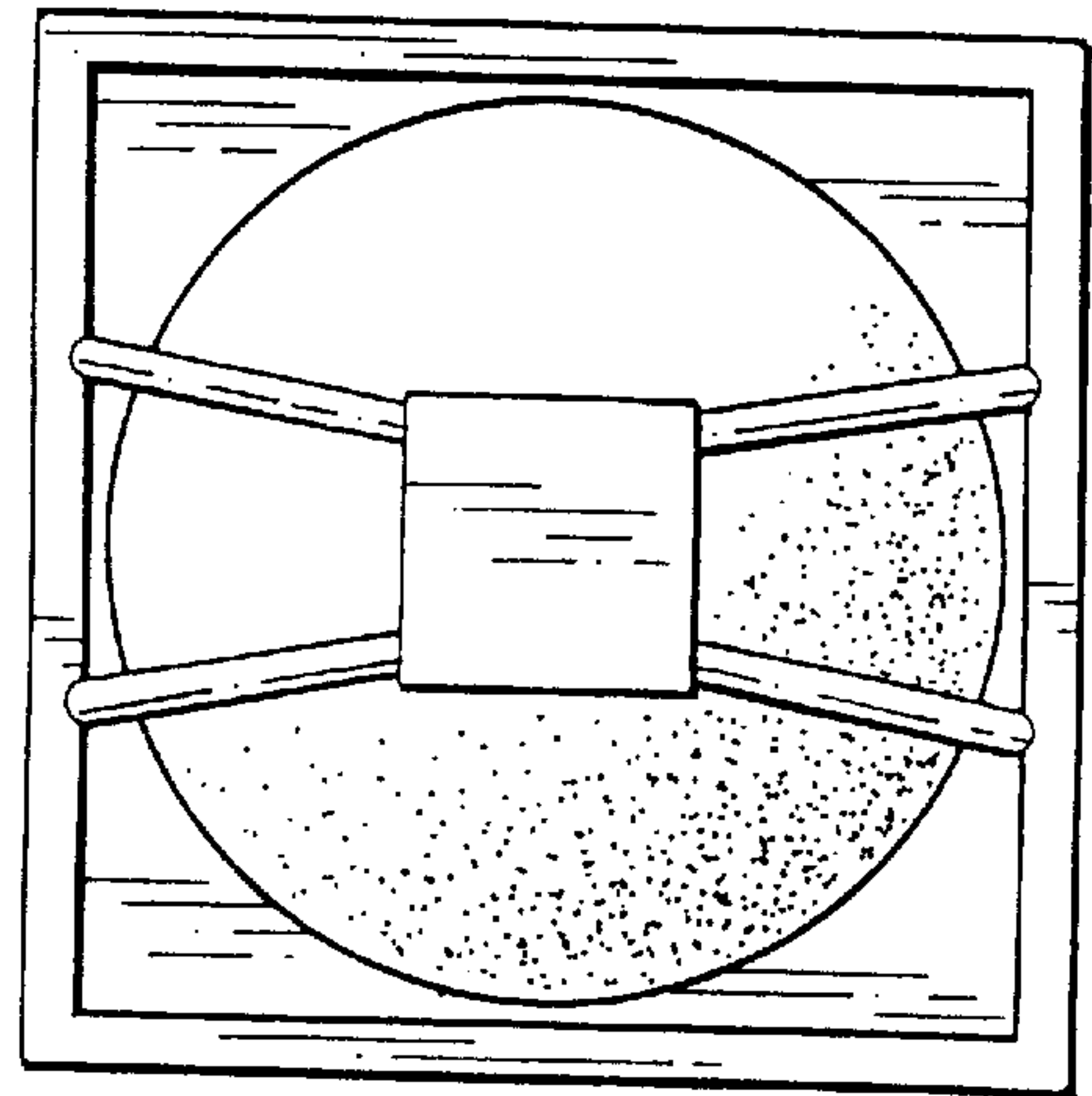


Fig. 5

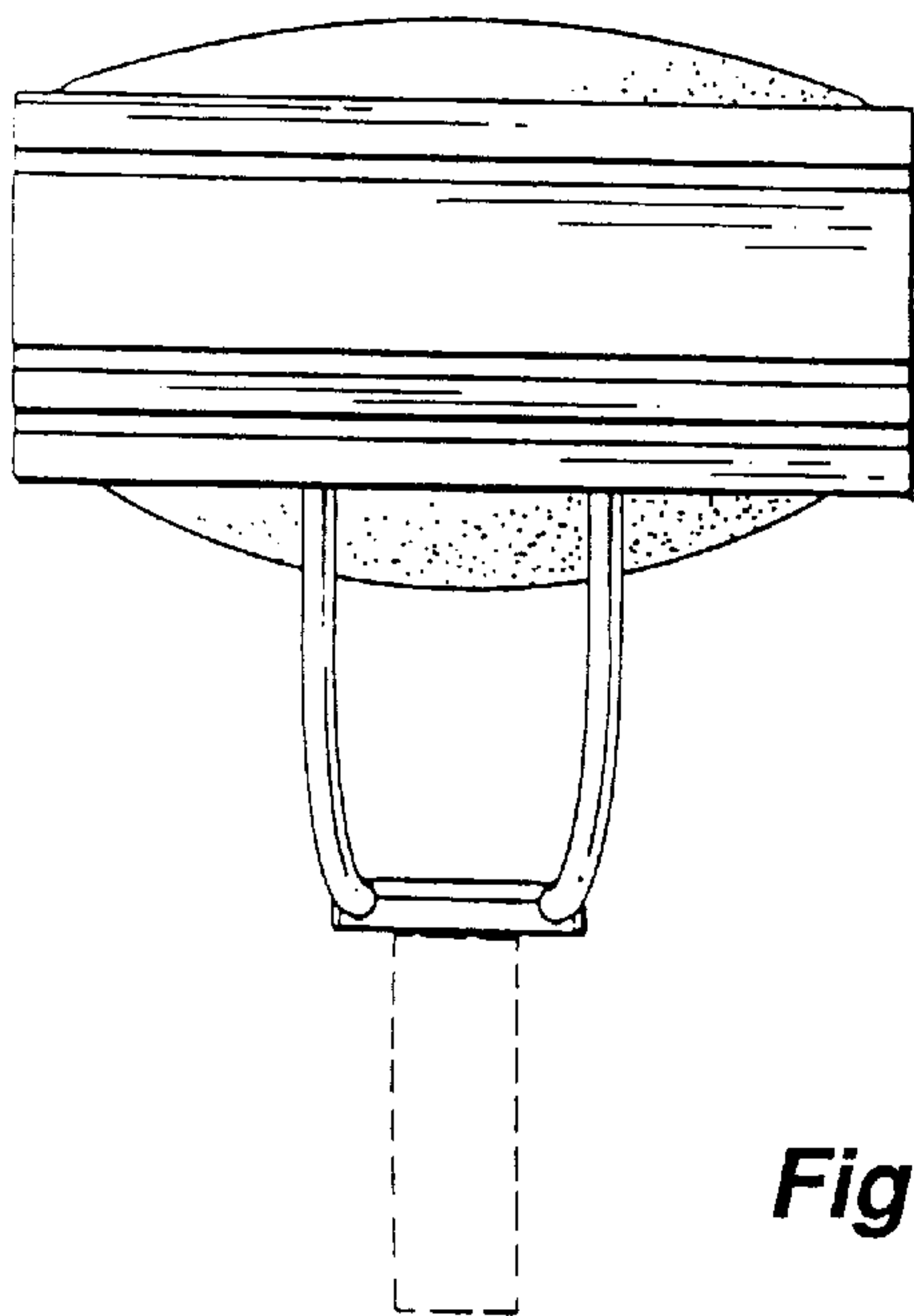


Fig. 6

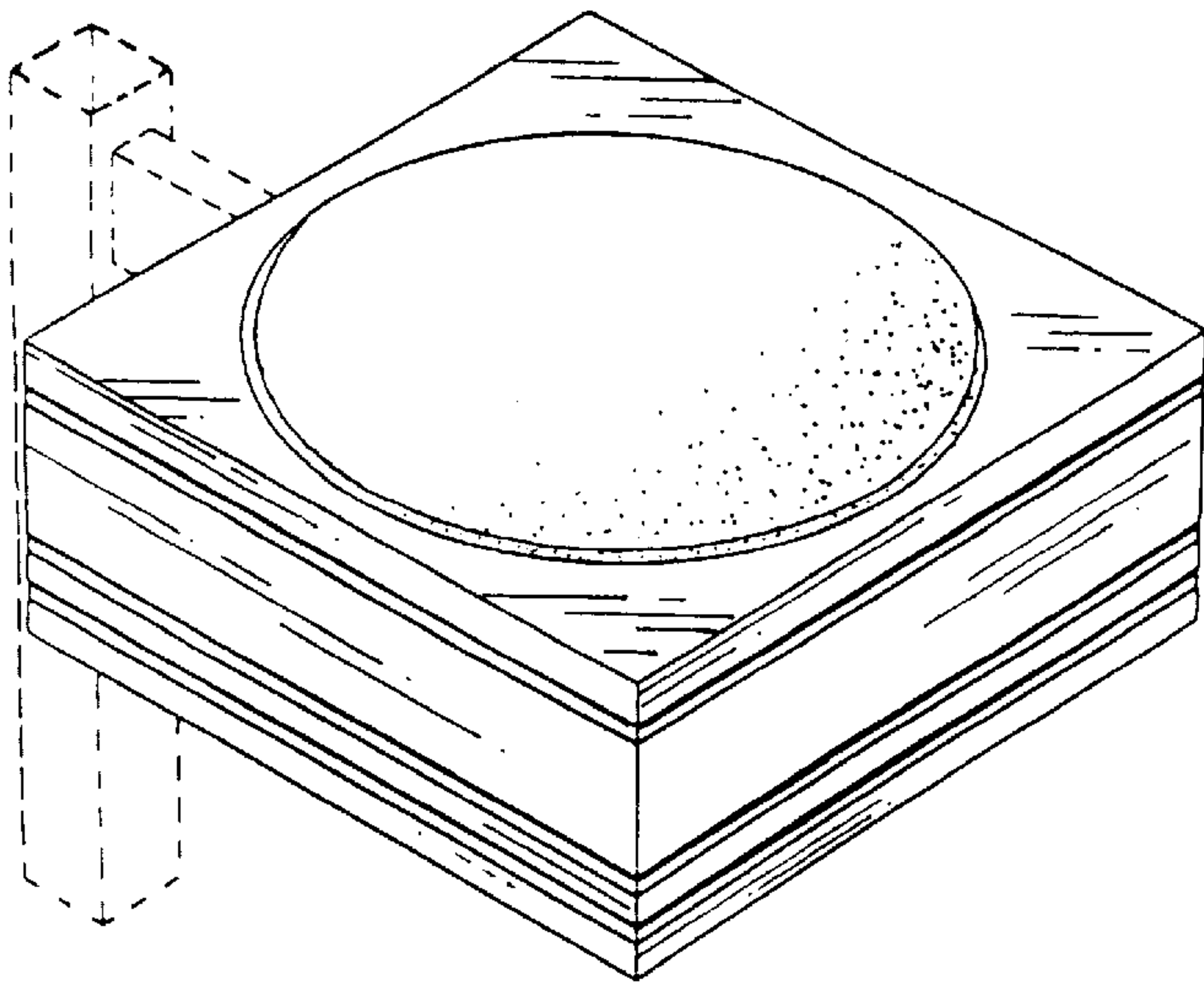


Fig. 7

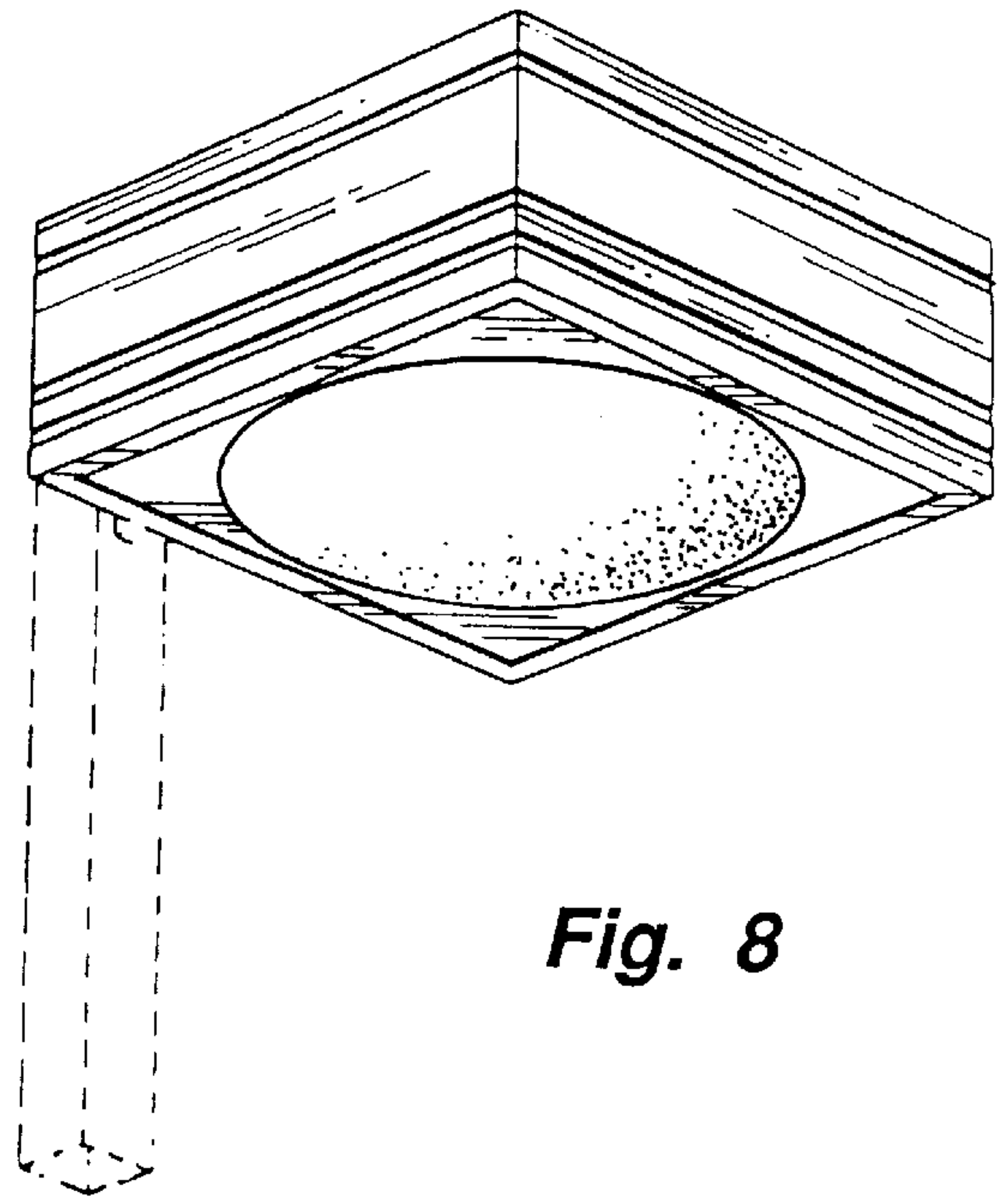


Fig. 8

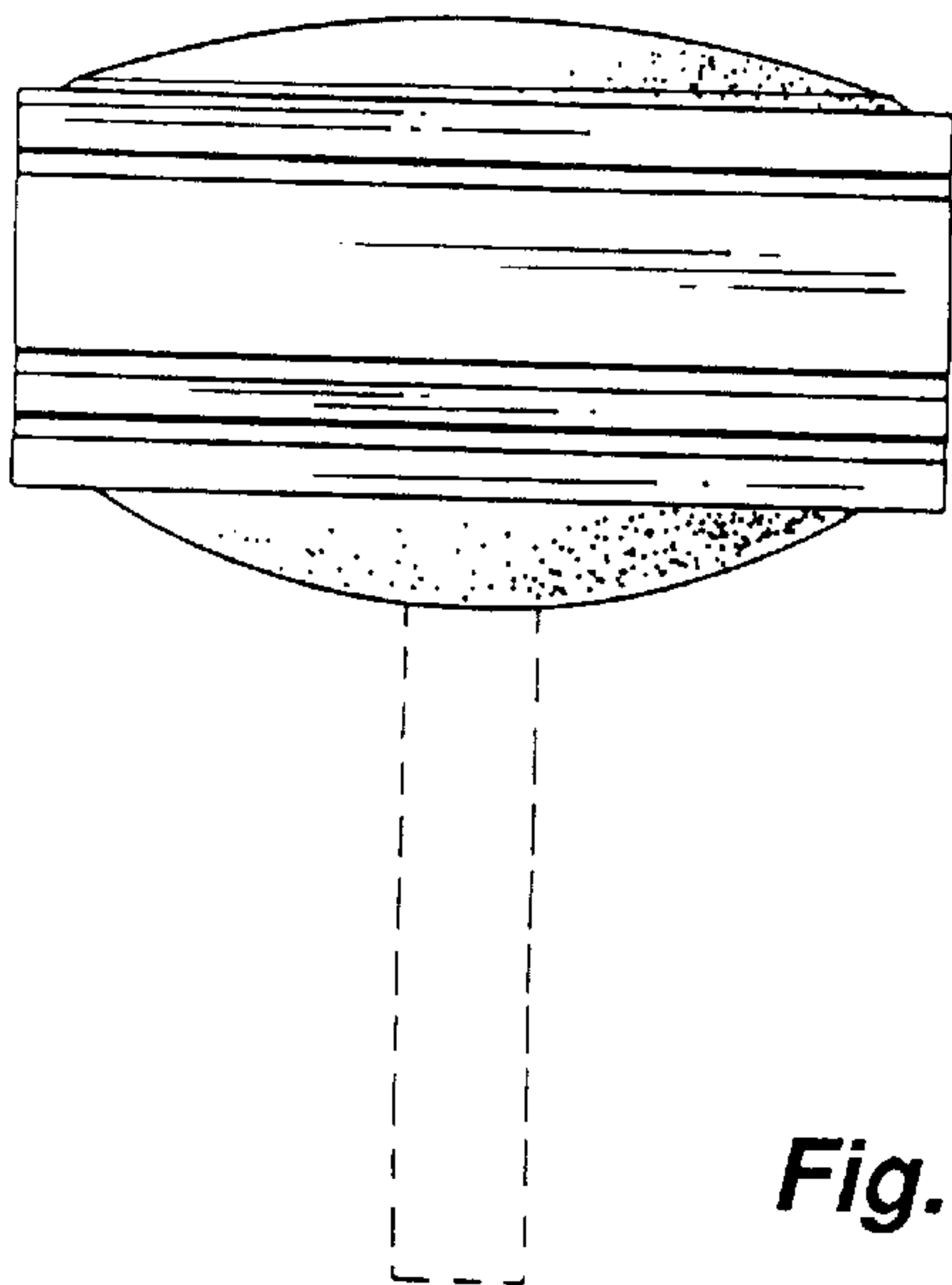


Fig. 9

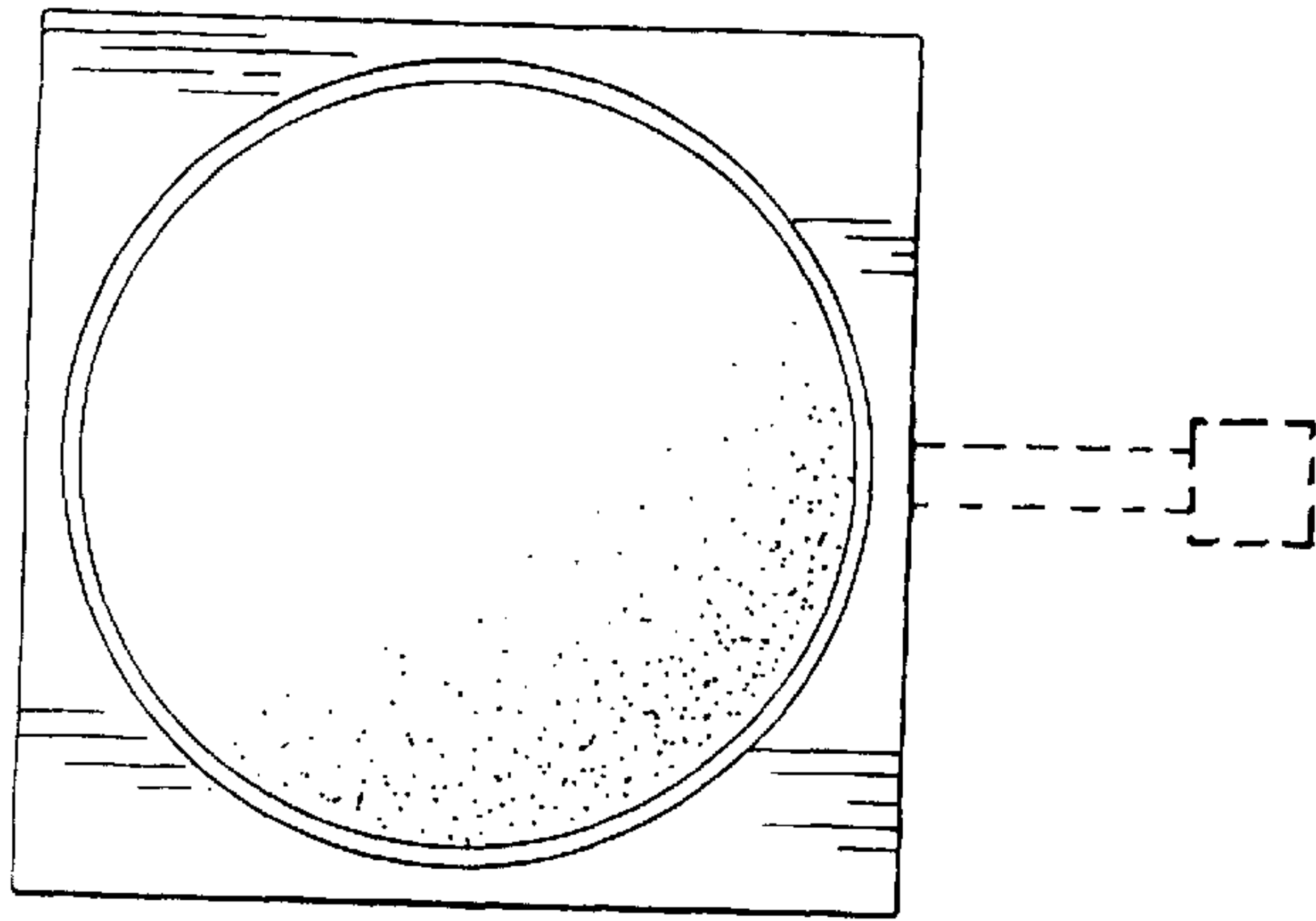


Fig. 10

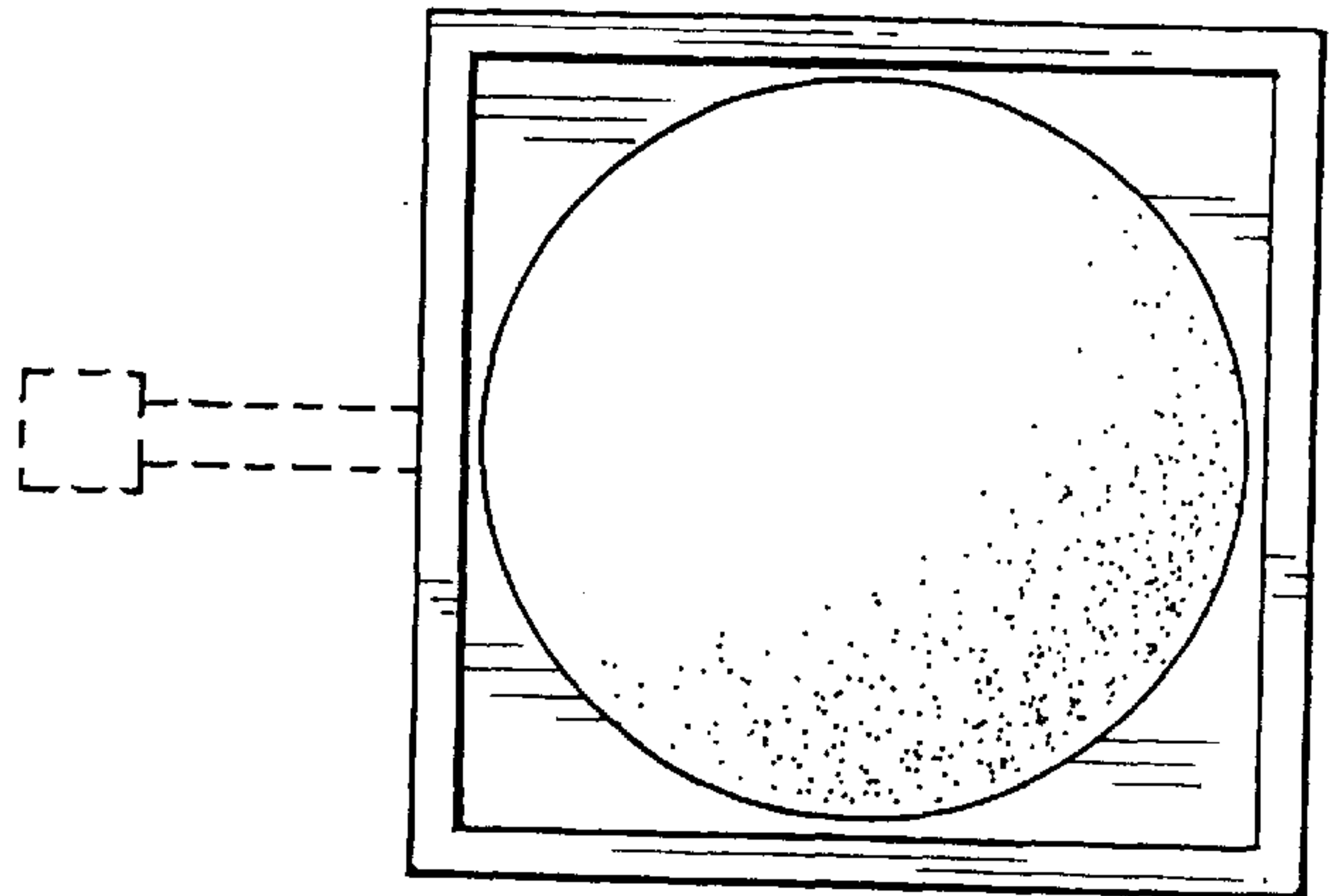


Fig. 11

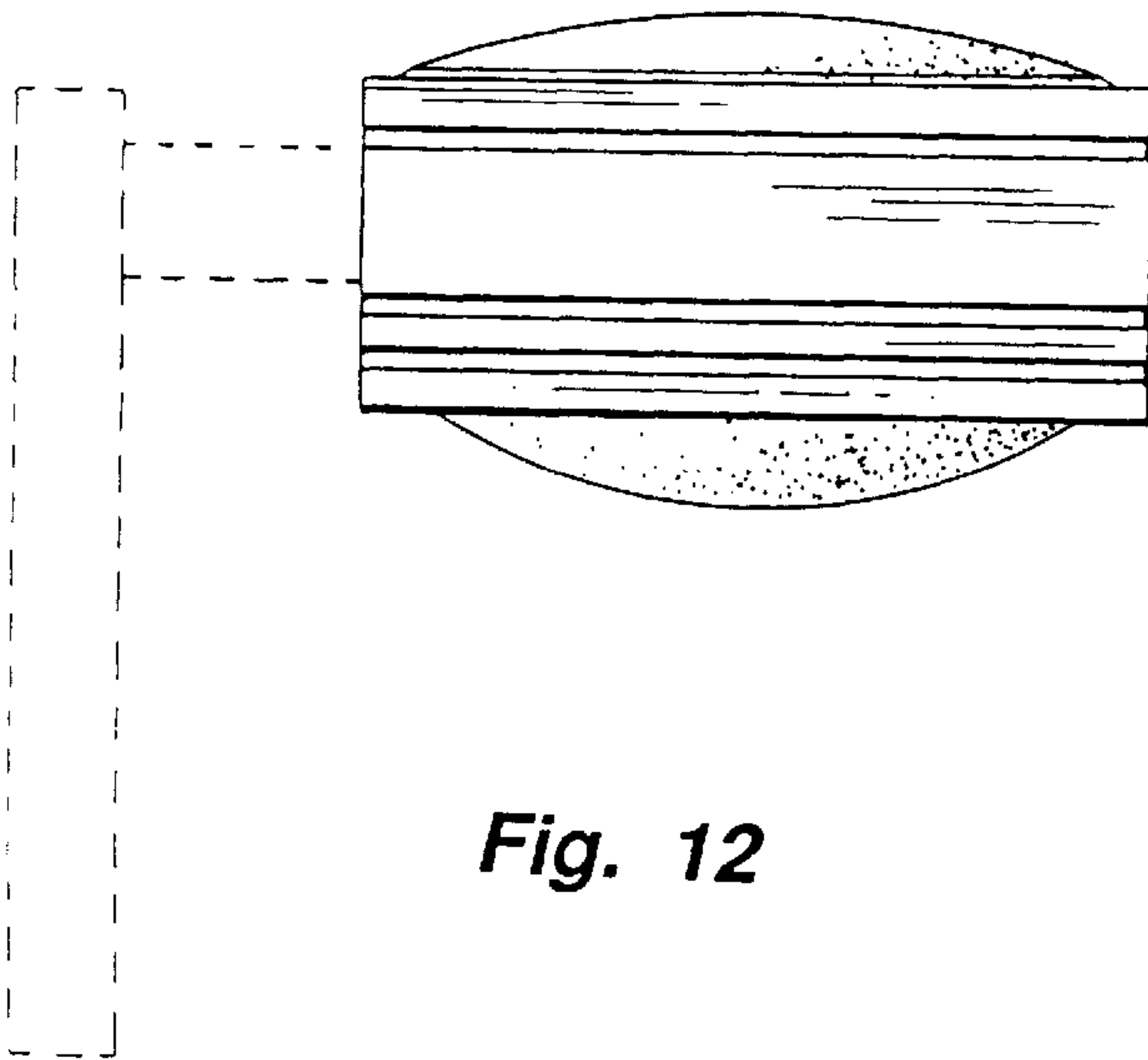


Fig. 12