



US00D417025S

United States Patent [19] Spitler

[11] **Patent Number: Des. 417,025**

[45] **Date of Patent: ** Nov. 23, 1999**

[54] **INDOOR HALOGEN LAMP**

2,382,208	8/1945	Corbin	52/730.7 X
5,386,358	1/1995	Hillinger	362/431
5,672,003	9/1997	Shemitz et al.	362/418 X

[75] Inventor: **Brian Spitler**, Elon College, N.C.

[73] Assignee: **Regent Lighting Corporation**,
Burlington, N.C.

Primary Examiner—Susan J. Lucas
Attorney, Agent, or Firm—Niro, Scavone, Haller & Niro

[**] Term: **14 Years**

[57] **CLAIM**

[21] Appl. No.: **29/099,756**

I claim the ornamental design for an indoor halogen lamp, as shown and described.

[22] Filed: **Jan. 28, 1999**

DESCRIPTION

[51] **LOC (6) Cl.** **26-05**

[52] **U.S. Cl.** **D26/65**

[58] **Field of Search** D26/60, 63, 65,
D26/24, 113, 72, 80, 81, 84, 85, 86, 87,
88, 92, 89; 362/404-408, 432, 147, 376,
377, 378, 286, 269, 275, 277, 287, 418,
419, 427, 431, 240, 237

FIG. 1 is a perspective view taken from the left side of an indoor halogen lamp showing my new design;

FIG. 2 is a top plan view thereof;

FIG. 3 is a front elevational view thereof;

FIG. 4 is a side elevational view thereof;

FIG. 5 is a rear elevational view thereof; and,

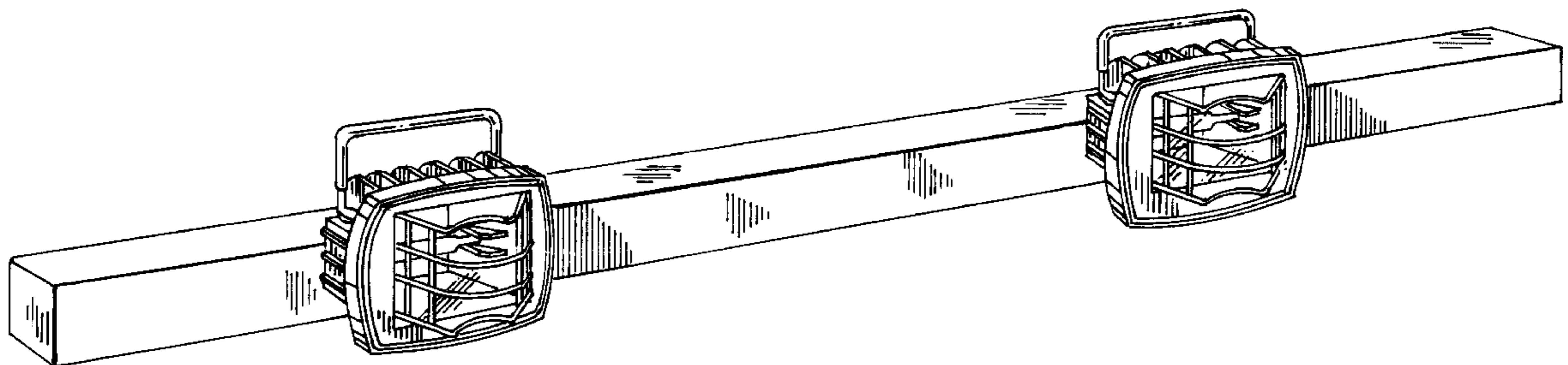
FIG. 6 is a bottom plan view thereof.

[56] **References Cited**

U.S. PATENT DOCUMENTS

D. 240,258 6/1976 Vrignaud D26/80

1 Claim, 2 Drawing Sheets



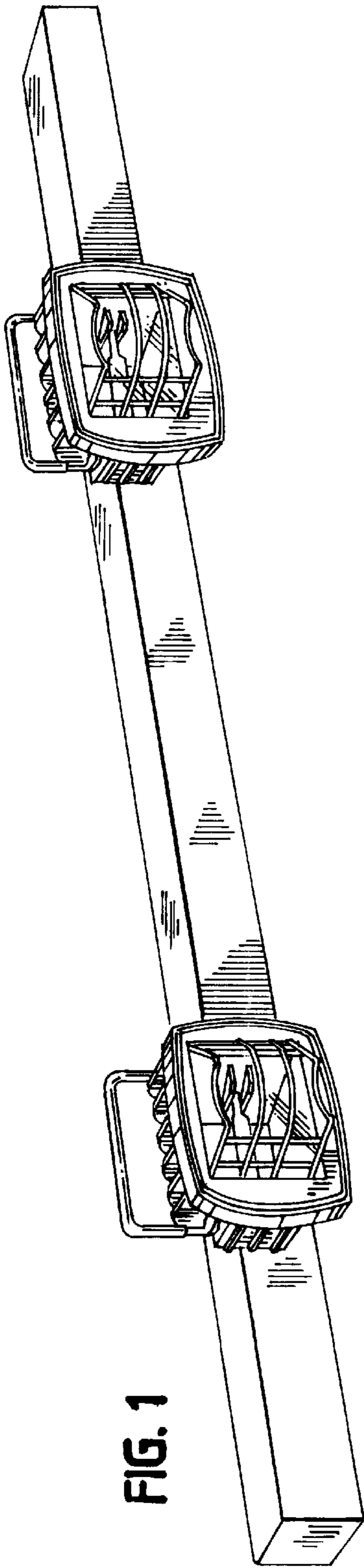


FIG. 2

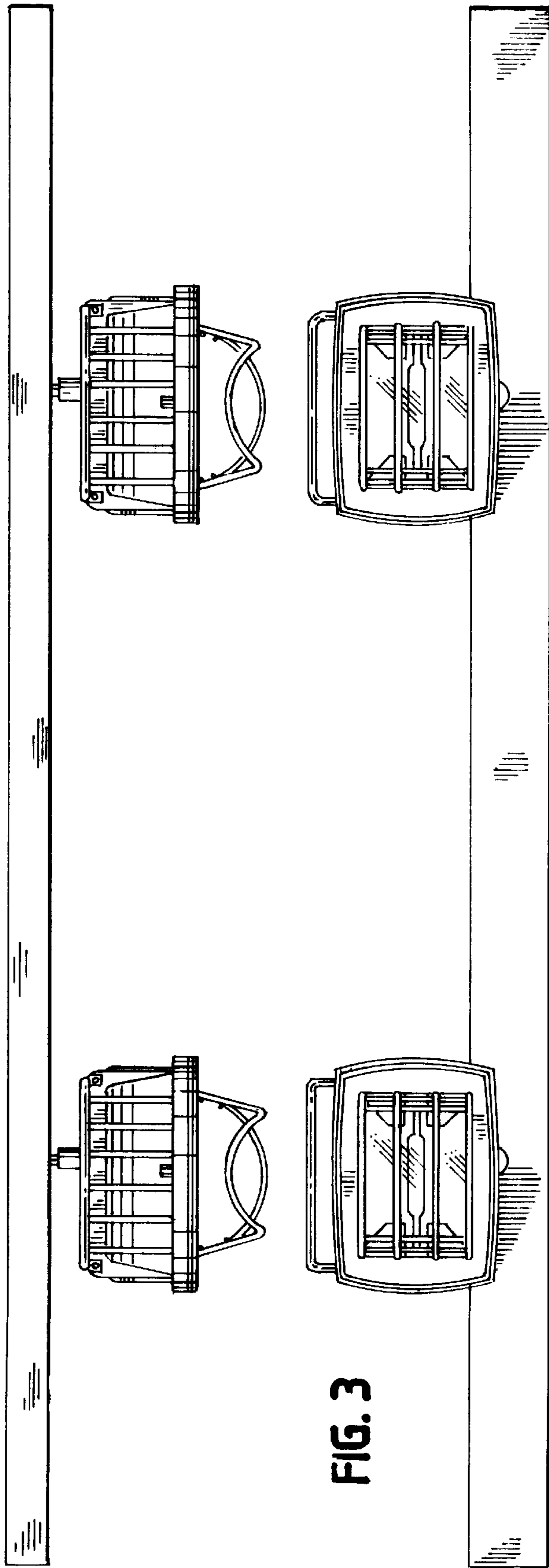
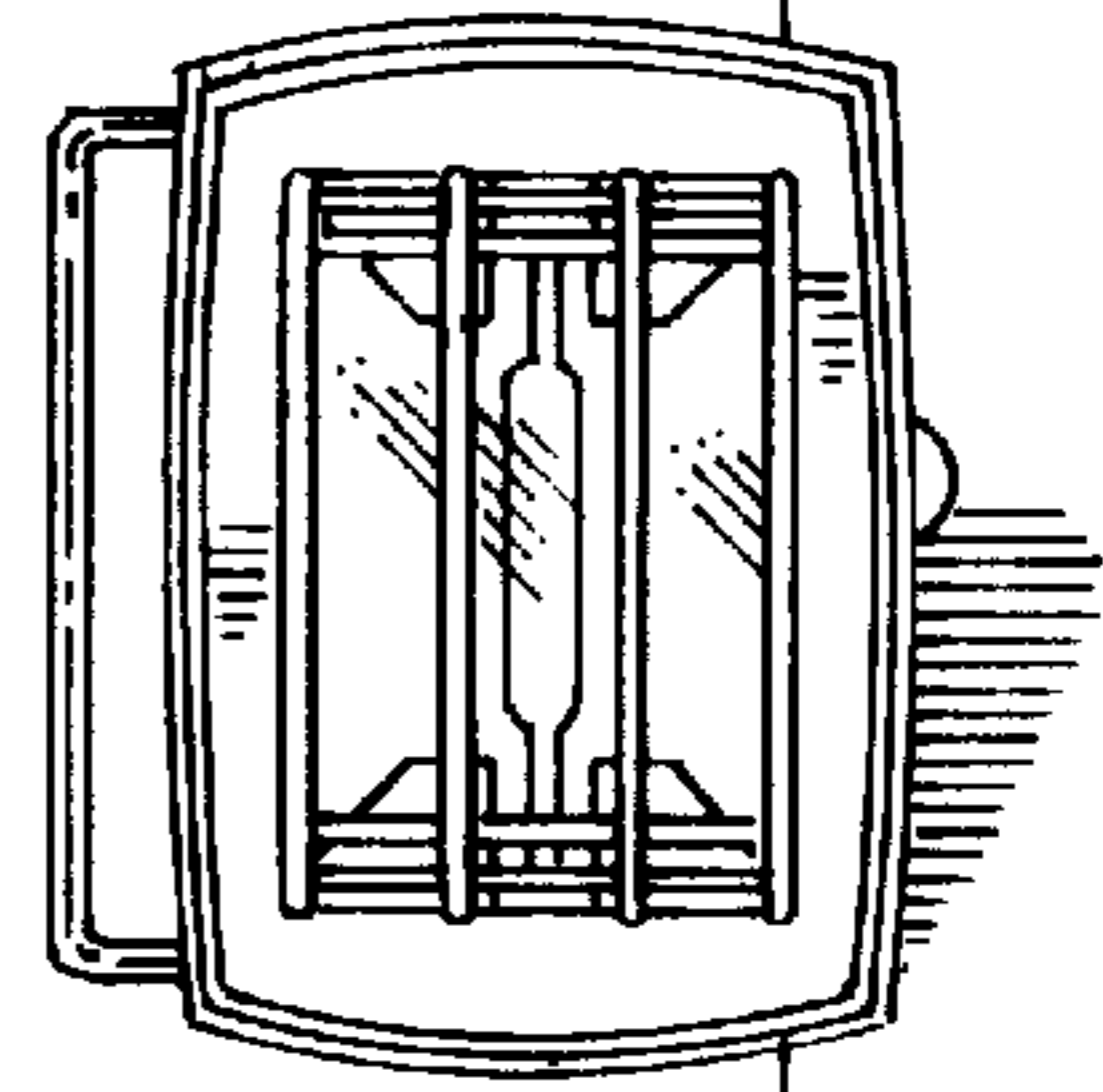


FIG. 3



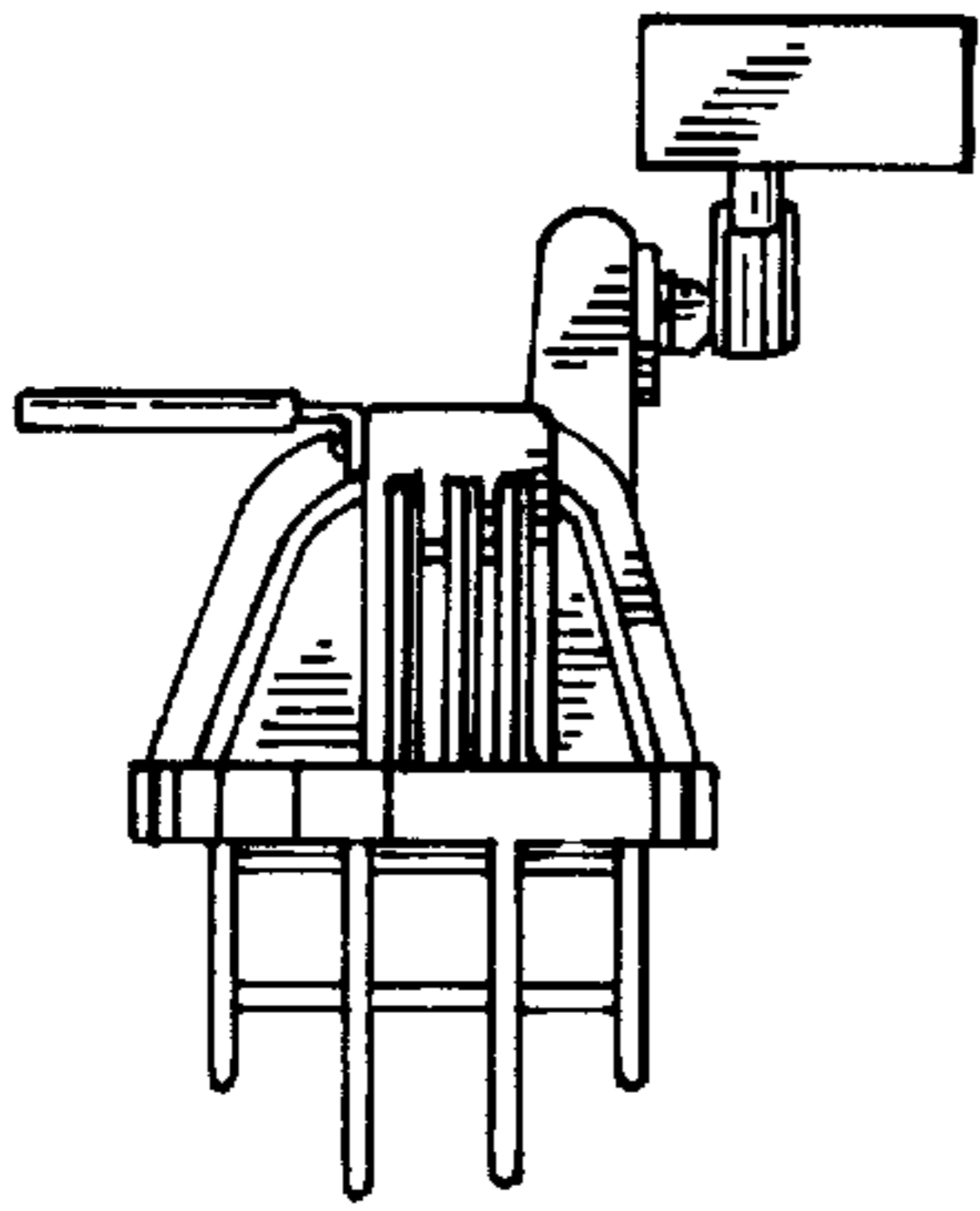


FIG. 4

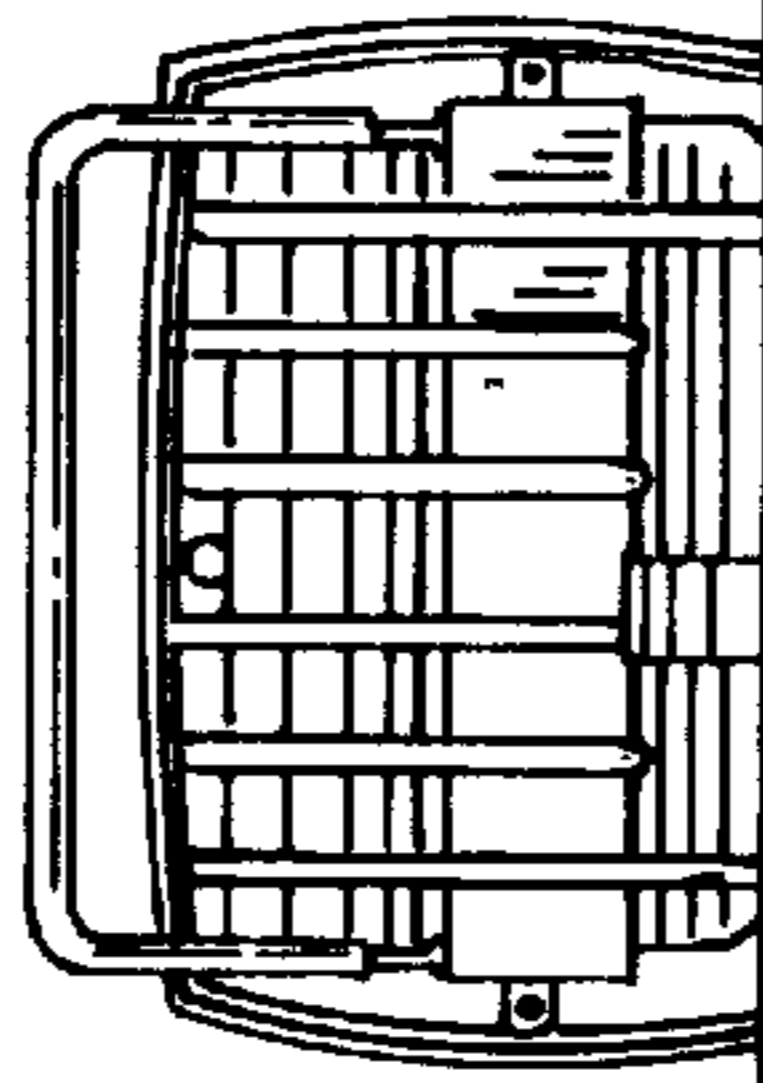


FIG. 5

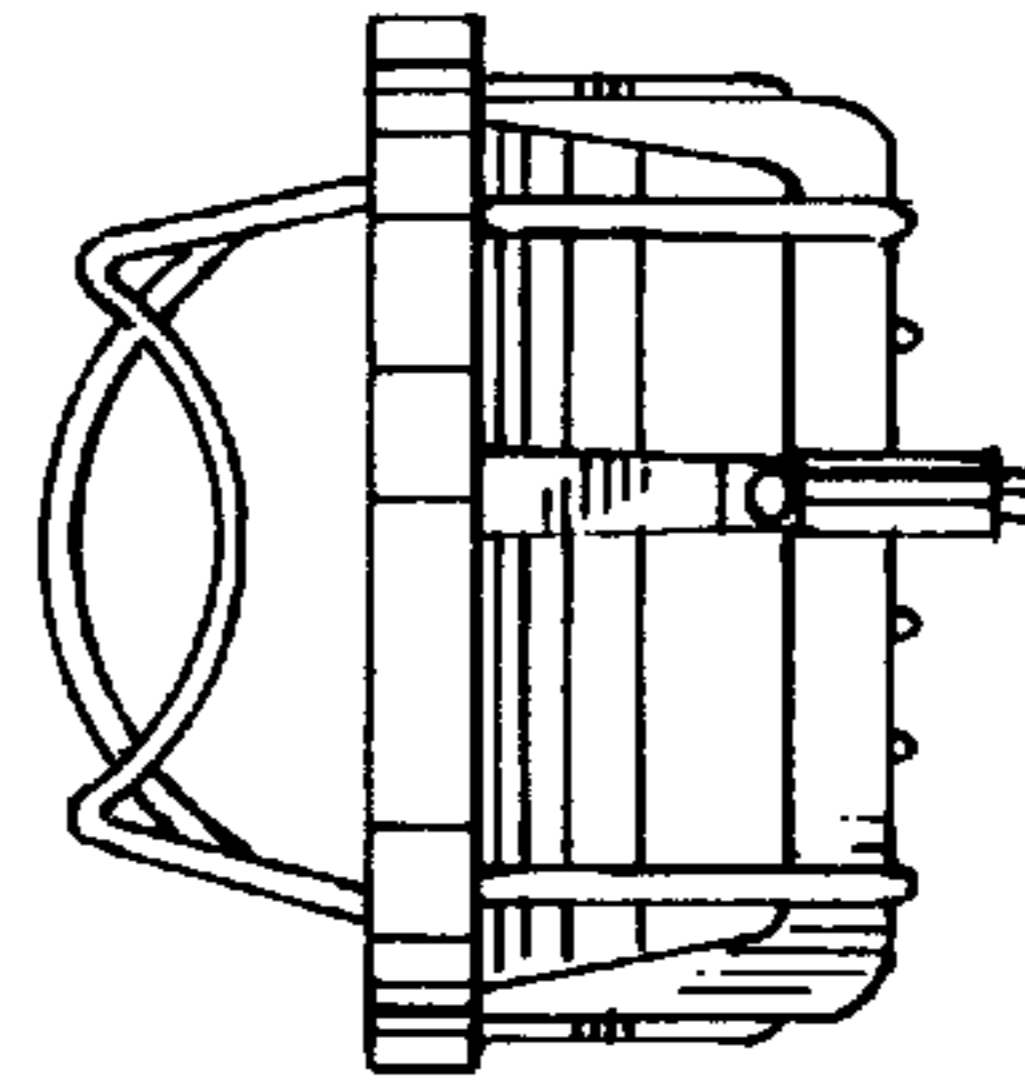
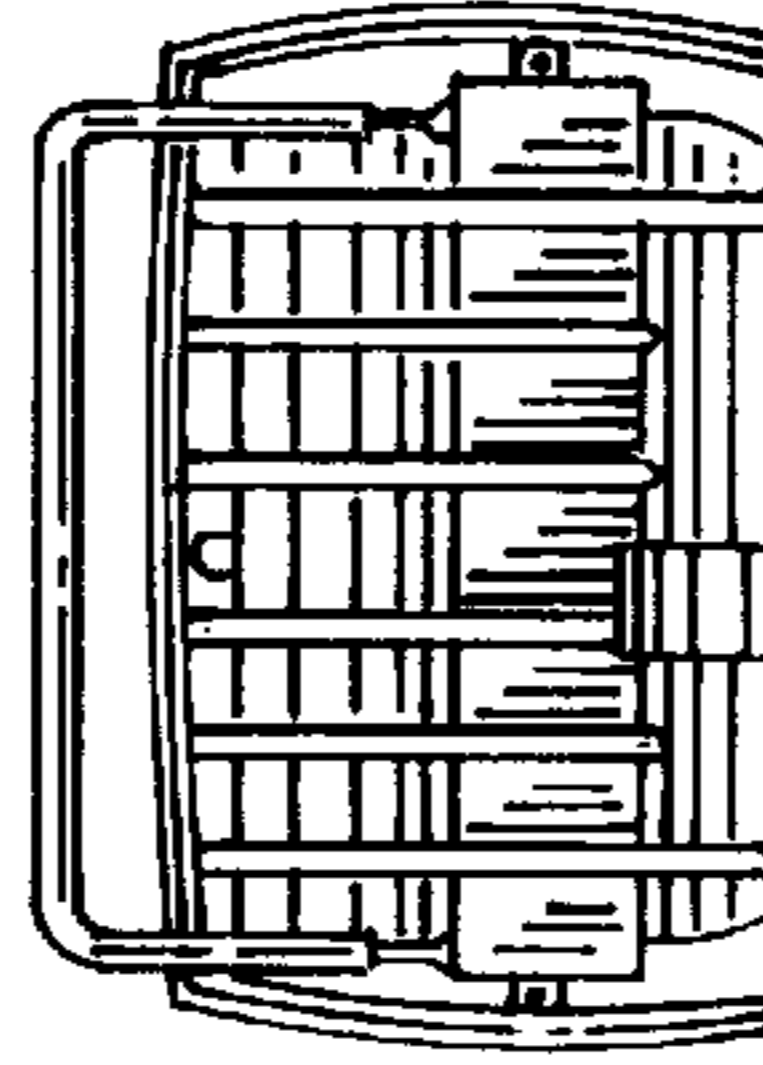


FIG. 6

