



US00D417024S

# United States Patent [19] Stuyfzand

[11] **Patent Number: Des. 417,024**

[45] **Date of Patent: \*\* Nov. 23, 1999**

[54] **FLOODLIGHT**

OTHER PUBLICATIONS

[75] Inventor: **Joseph Lucas Stuyfzand**, Eindhoven, Netherlands

Abitare magazine, p. 110, floor lamp with adjustable lighting fixture, Dec. 1988.

[73] Assignee: **U.S. Philips Corporation**, New York, N.Y.

Gabbiano lighting catalog, p. 39, top, left corner, adjustable projector, 1994.

[\*\*] Term: **14 Years**

Swivelier lighting catalog, p. 83, cellular louvers for spot lights, top, right, 1986.

[21] Appl. No.: **29/084,203**

*Primary Examiner*—Susan J. Lucas

*Attorney, Agent, or Firm*—Ernestine C. Bartlett

[22] Filed: **Feb. 26, 1998**

[57] **CLAIM**

[30] **Foreign Application Priority Data**

The ornamental design for a floodlight, as shown.

Sep. 17, 1997 [XH] Hague Agreement ..... DMA/003847

**DESCRIPTION**

[51] **LOC (6) Cl.** ..... **26-05**

FIG. 1 is a perspective view showing my design;

[52] **U.S. Cl.** ..... **D26/63**

FIG. 2 is a front elevational view thereof;

[58] **Field of Search** ..... D26/60, 61, 63;

FIG. 3 is a rear elevational view thereof;

362/267, 269, 275, 285, 287, 418, 419,

FIG. 4 is a right side elevational view thereof;

427, 147

FIG. 5 is a left side elevational view thereof;

[56] **References Cited**

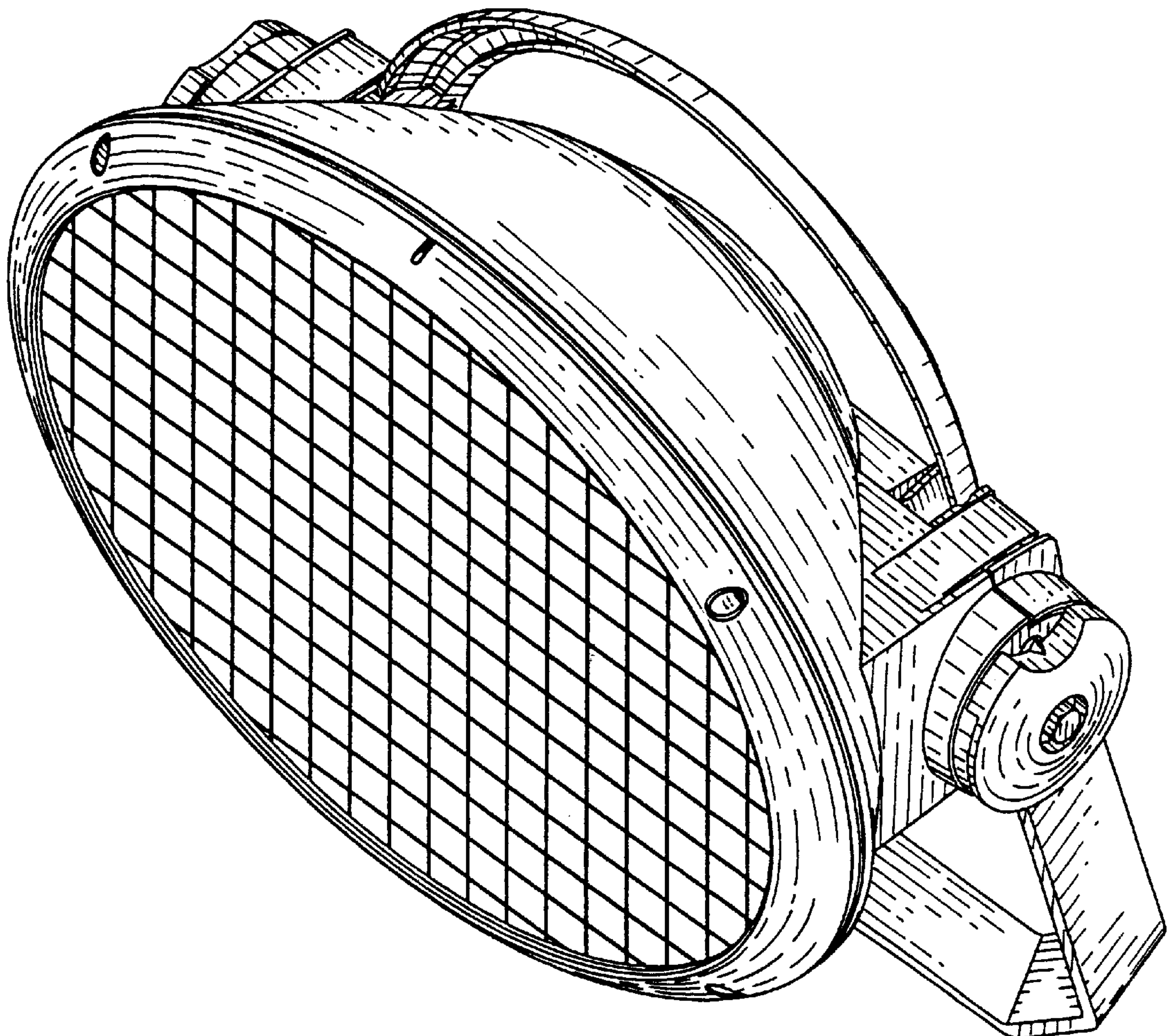
FIG. 6 is a top plan view thereof; and,

FIG. 7 is a bottom plan view thereof.

**U.S. PATENT DOCUMENTS**

4,349,865 9/1982 Terrel ..... 362/287 X

**1 Claim, 7 Drawing Sheets**



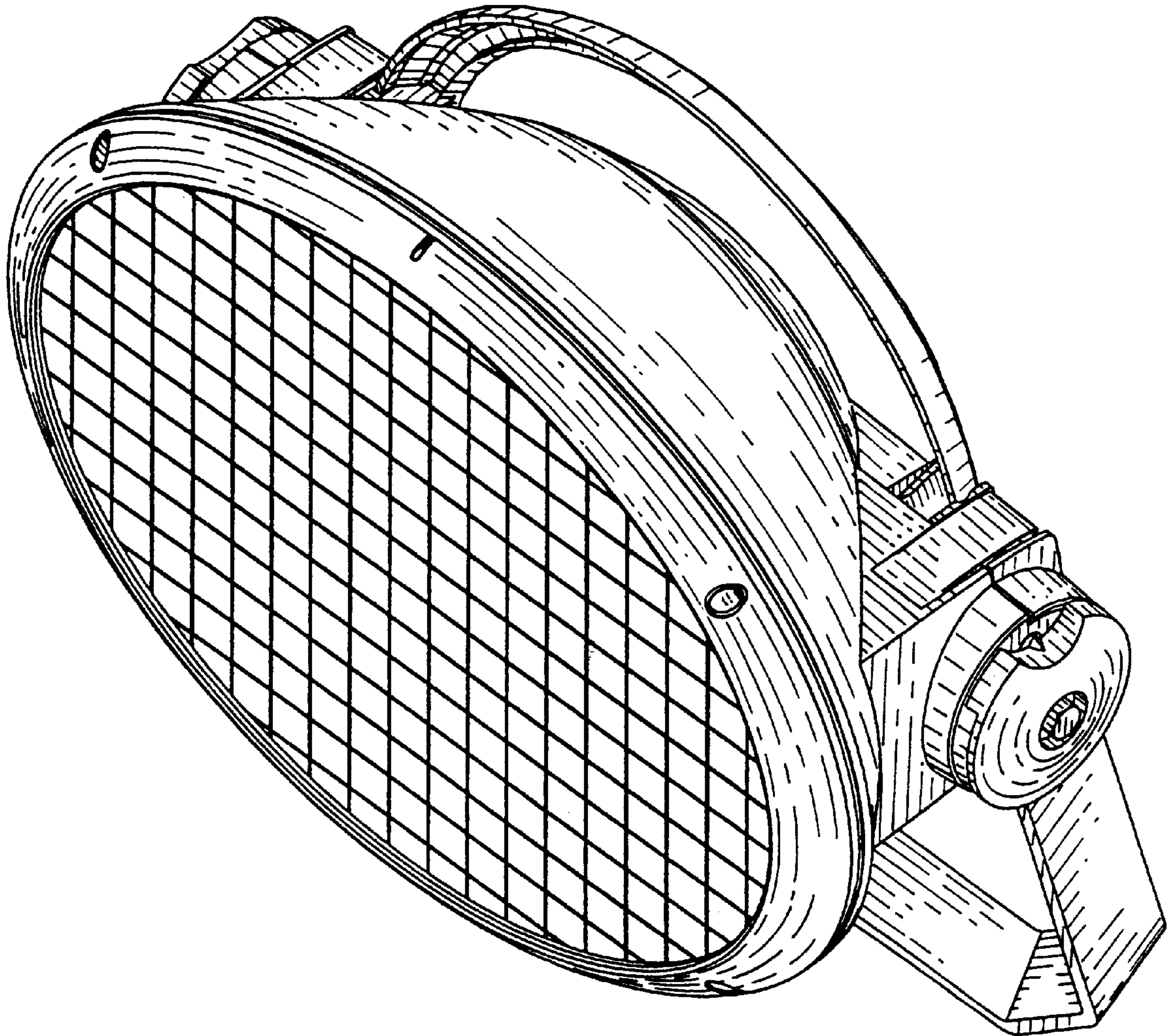


FIG. 1



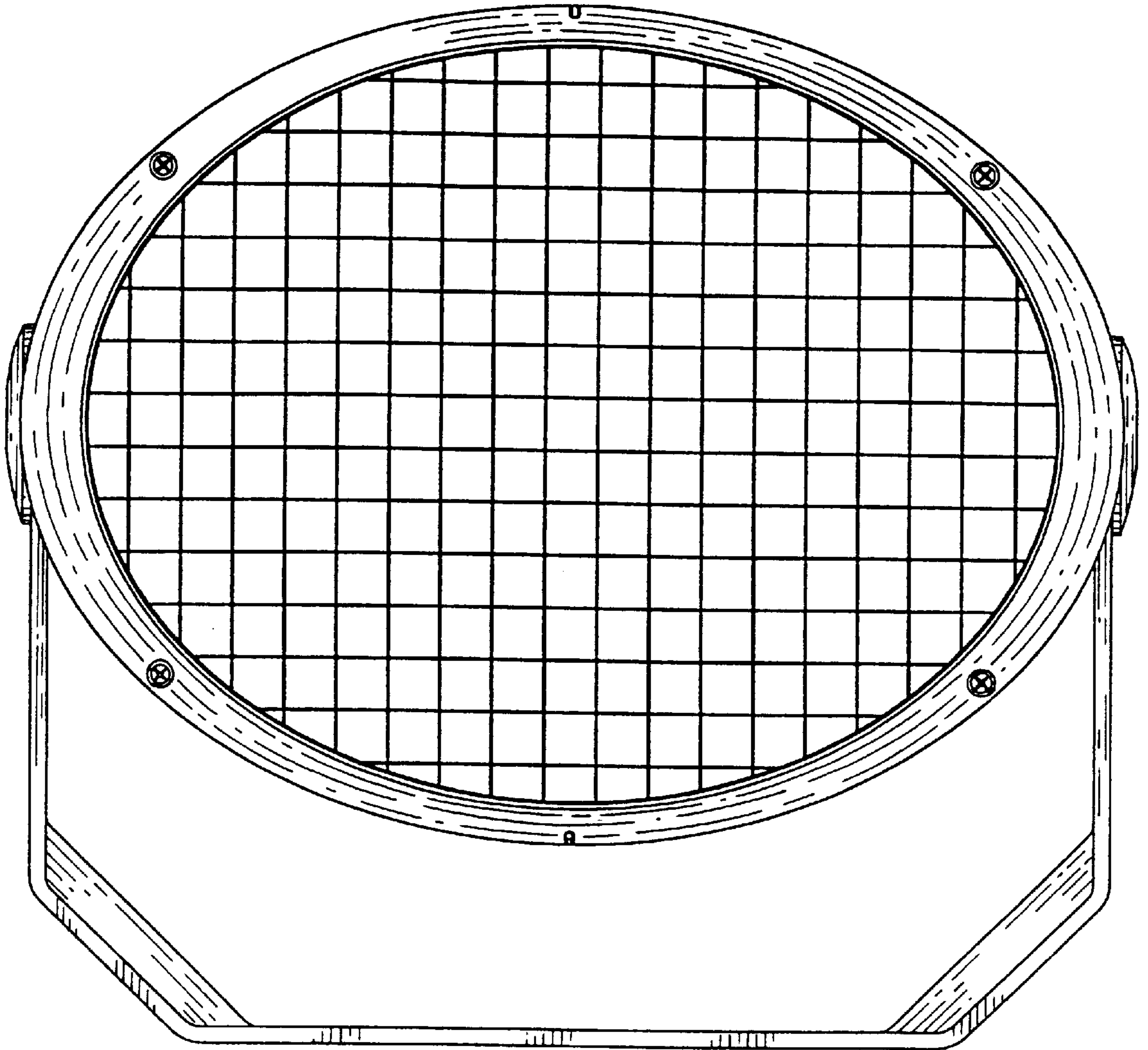


FIG. 2

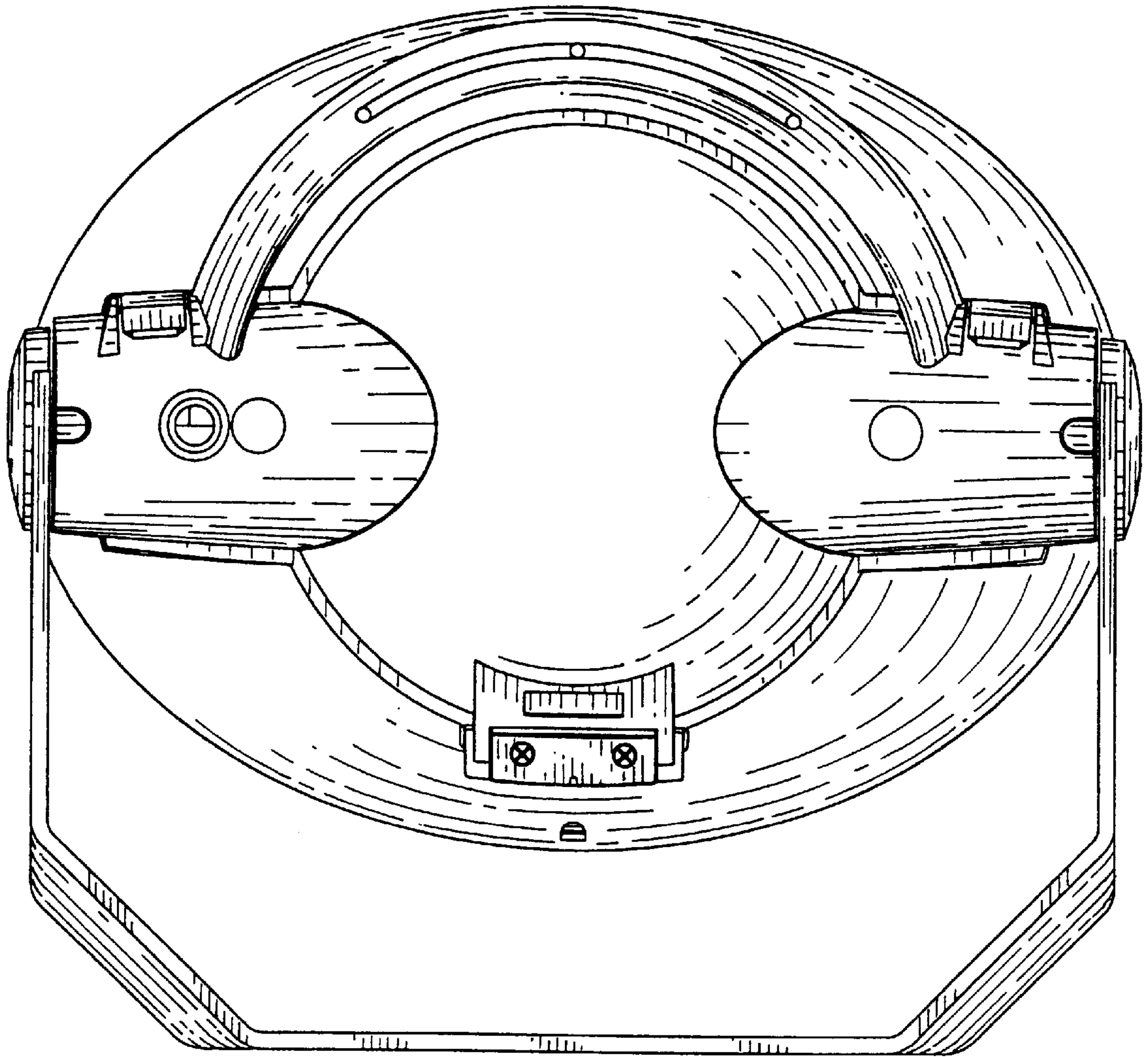


FIG. 3

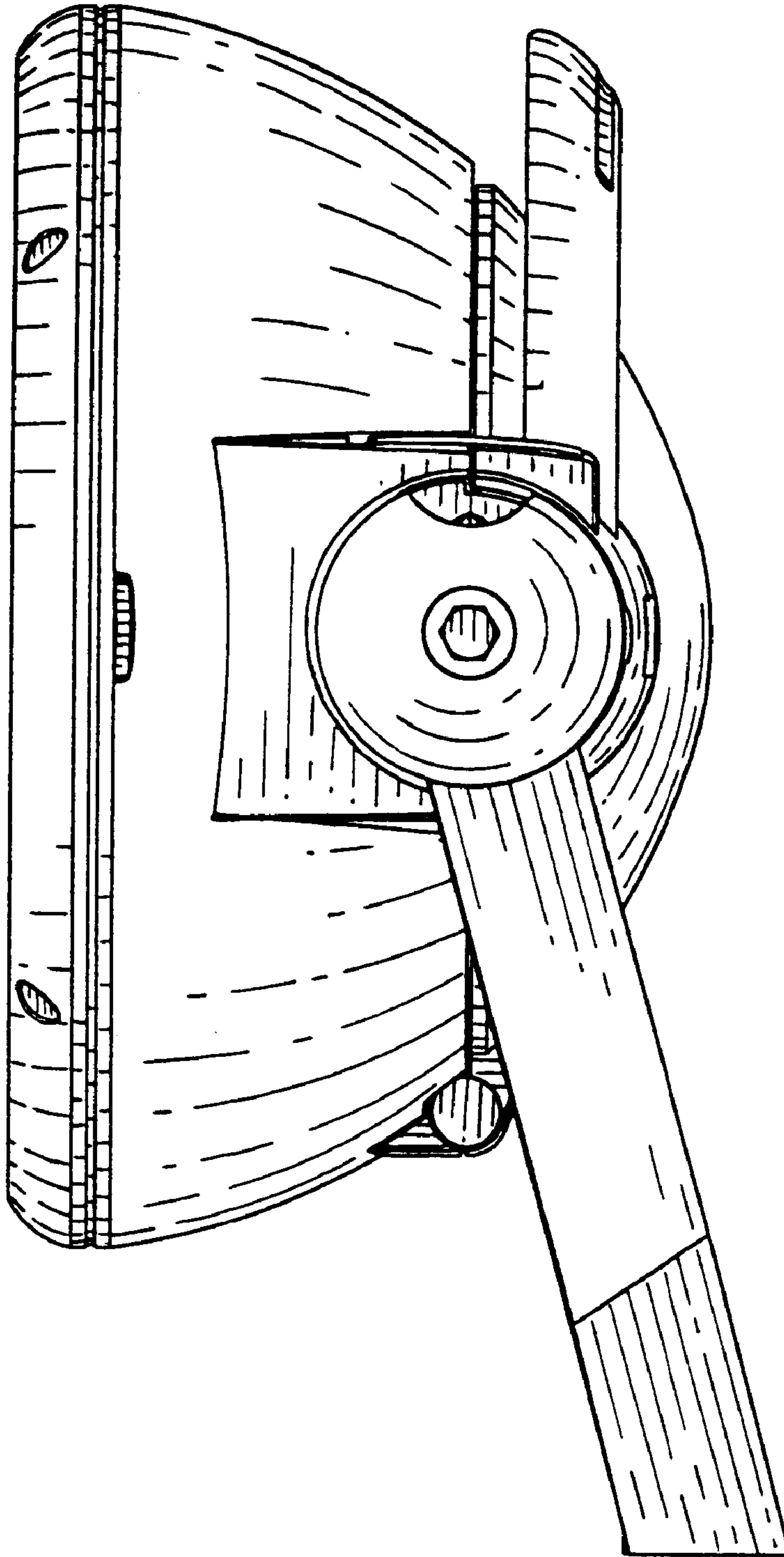


FIG. 4

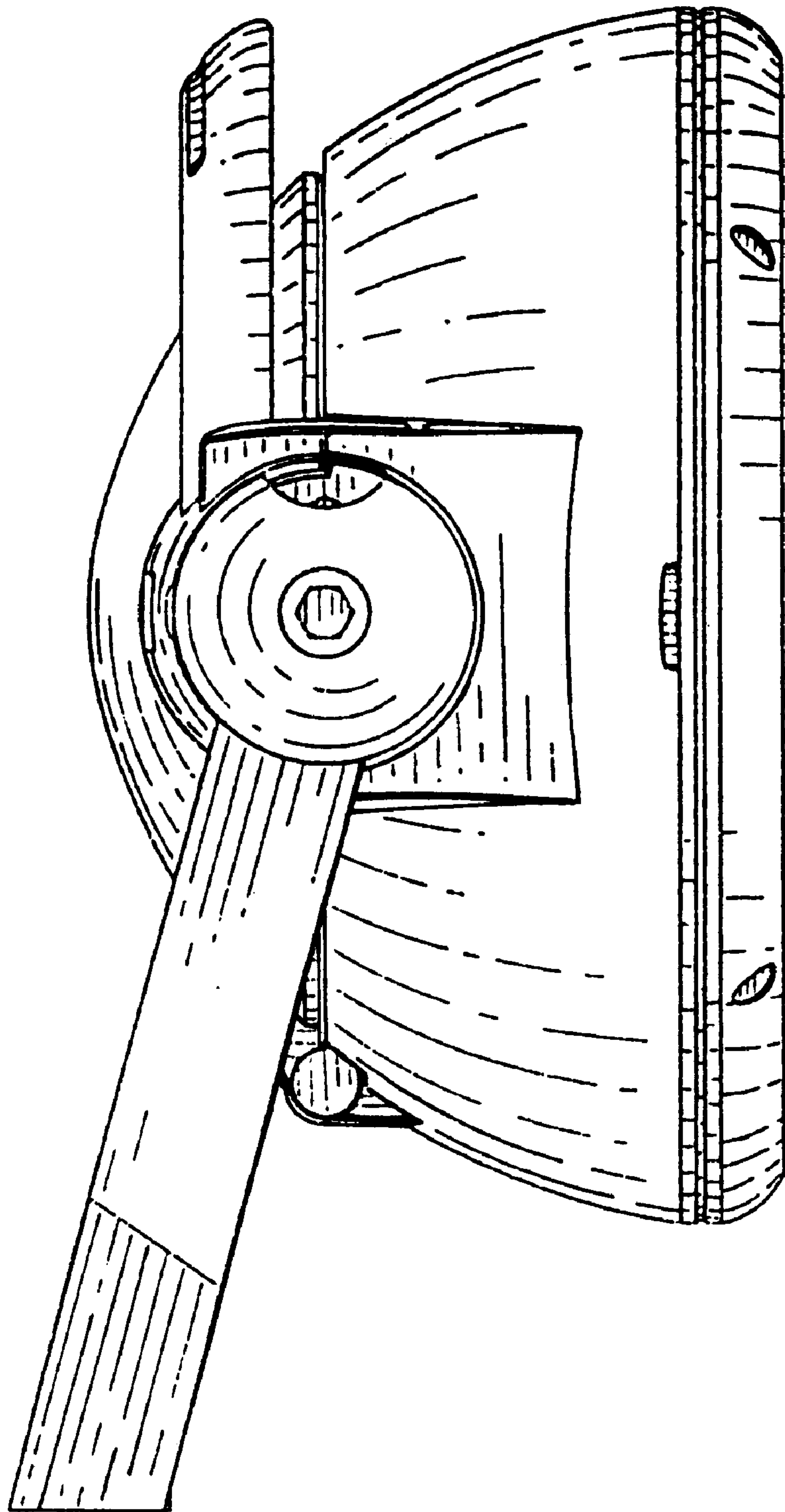


FIG. 5

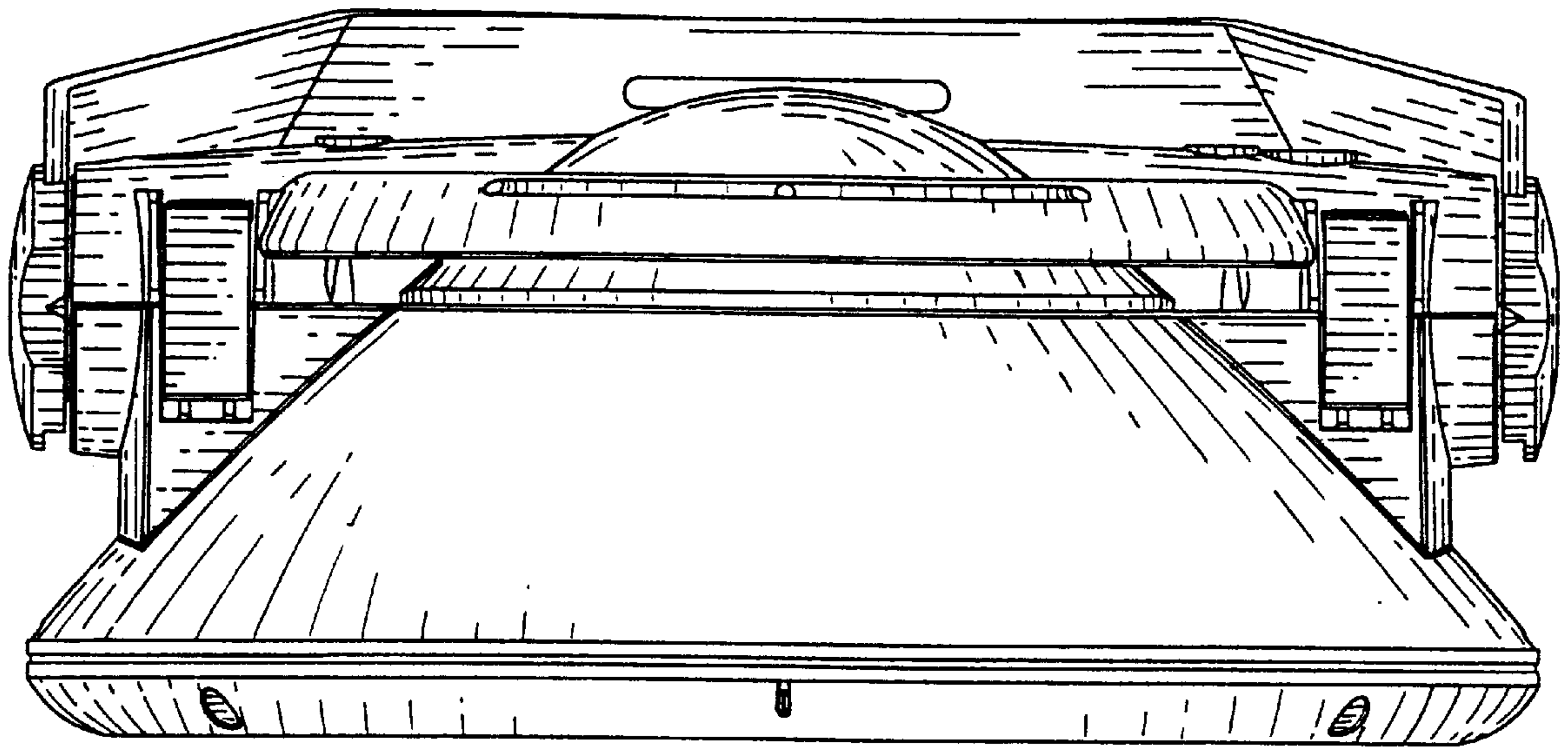


FIG. 6



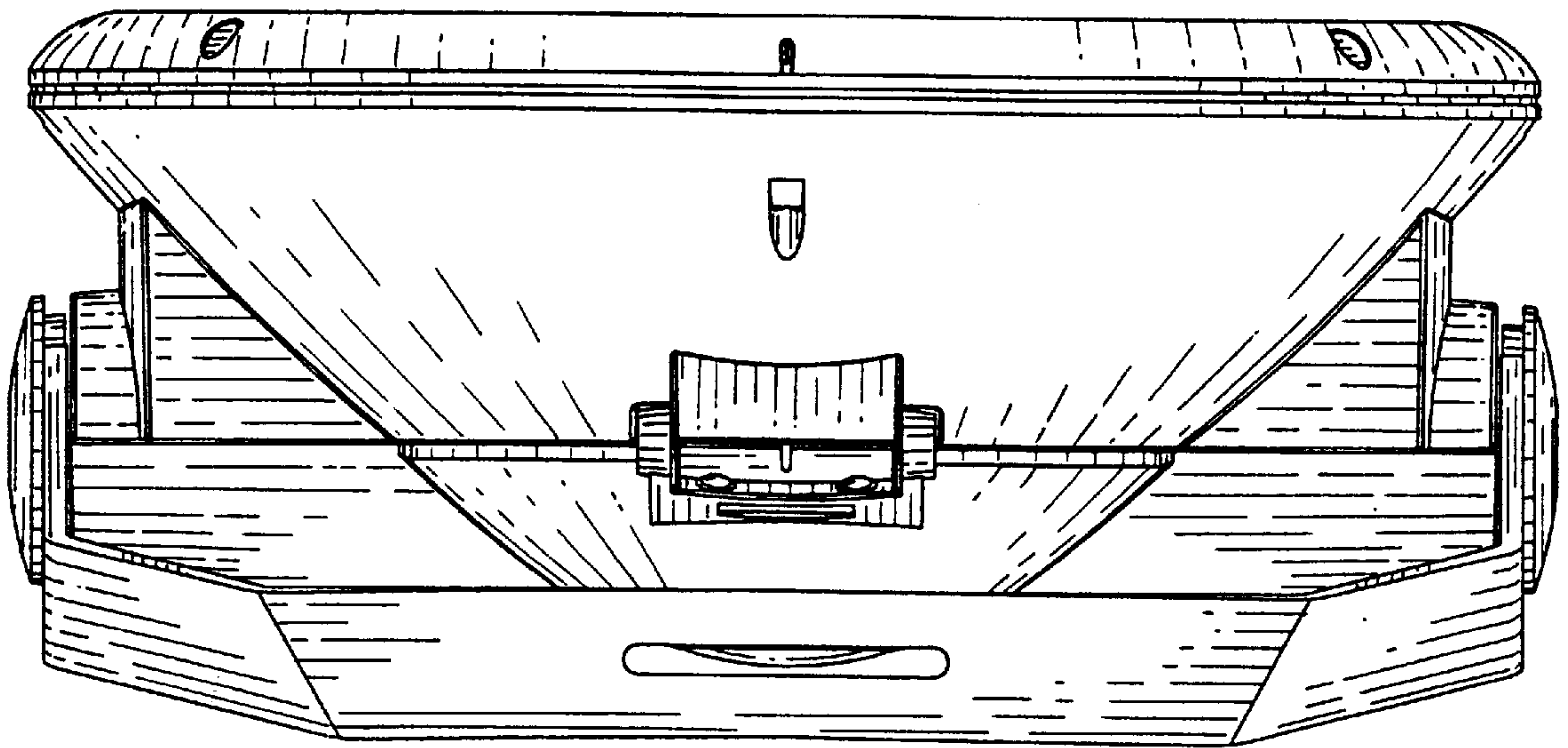


FIG. 7