



US00D417023S

United States Patent [19] Yang

[11] **Patent Number: Des. 417,023**

[45] **Date of Patent: ** Nov. 23, 1999**

[54] **FLASHLIGHT**

[75] **Inventor: Man Ho Yang**, Shatin, The Hong Kong Special Administrative Region of the People's Republic of China

[73] **Assignee: Creative Technology Hong Kong Ltd.**, Shatin, The Hong Kong Special Administrative Region of the People's Republic of China

[**] **Term: 14 Years**

[21] **Appl. No.: 29/101,742**

[22] **Filed: Mar. 10, 1999**

[51] **LOC (6) Cl. 26-02**

[52] **U.S. Cl. D26/49**

[58] **Field of Search** D26/37-50; 362/157, 362/158, 183-208

[56] **References Cited**

U.S. PATENT DOCUMENTS

D. 367,721 3/1996 Maglica D26/49

D. 370,543 6/1996 Huen D26/49
D. 394,321 5/1998 Chiu D26/49
D. 395,719 6/1998 Concari D26/49
D. 396,314 7/1998 Chiu D26/49

Primary Examiner—Marcus A. Jackson
Attorney, Agent, or Firm—Alix, Yale & Ristas, LLP

[57] **CLAIM**

The ornamental design for a flashlight, as shown and described.

DESCRIPTION

FIG. 1 is a perspective view of the flashlight showing my new design;

FIG. 2 is a top plan view of the flashlight of FIG. 1;

FIG. 3 is a bottom plan view of the flashlight of FIG. 1;

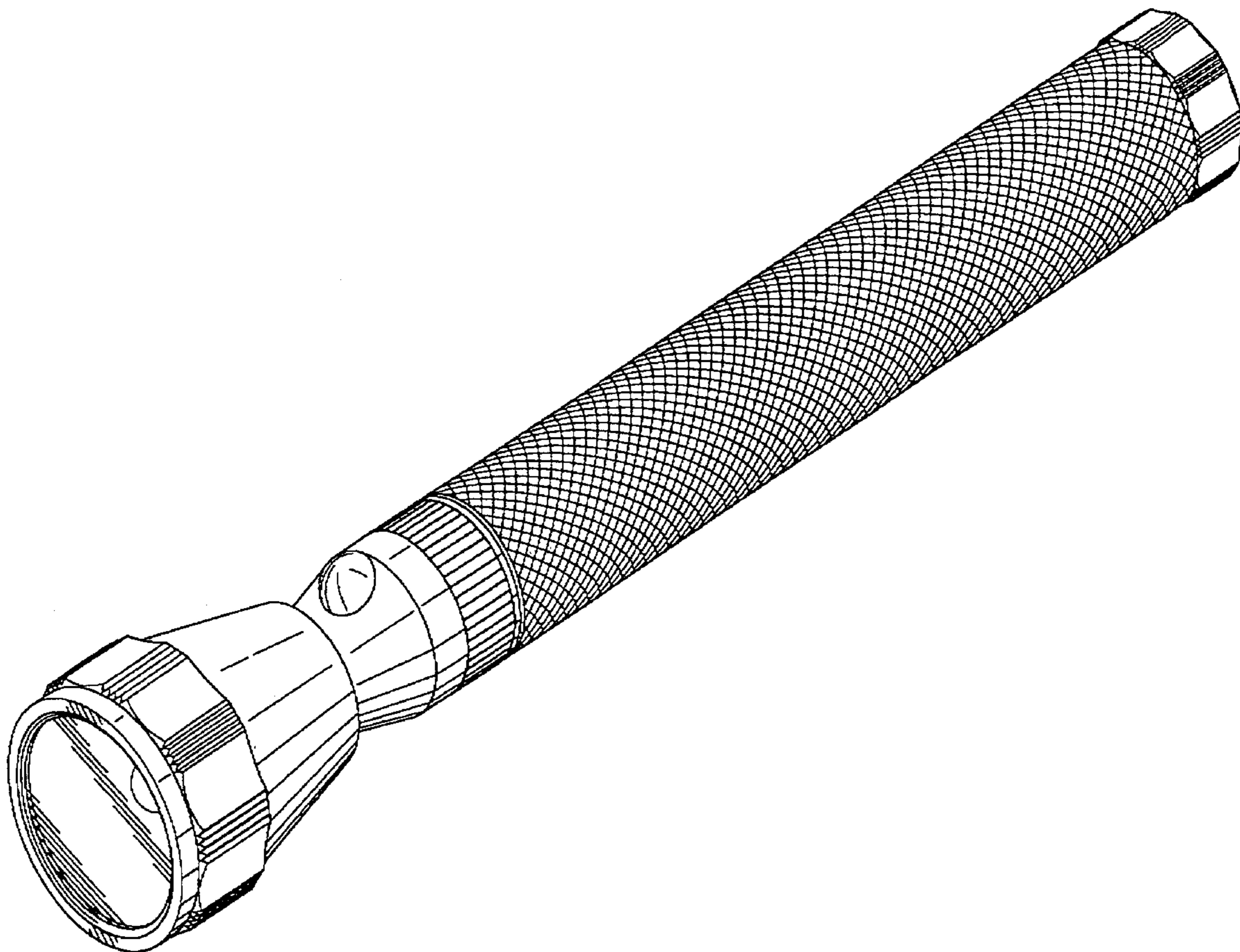
FIG. 4 is a right side view of the flashlight of FIG. 1;

FIG. 5 is a left side view of the flashlight of FIG. 1;

FIG. 6 is a front view of the flashlight of FIG. 1; and,

FIG. 7 is a rear view of the flashlight of FIG. 1.

1 Claim, 3 Drawing Sheets



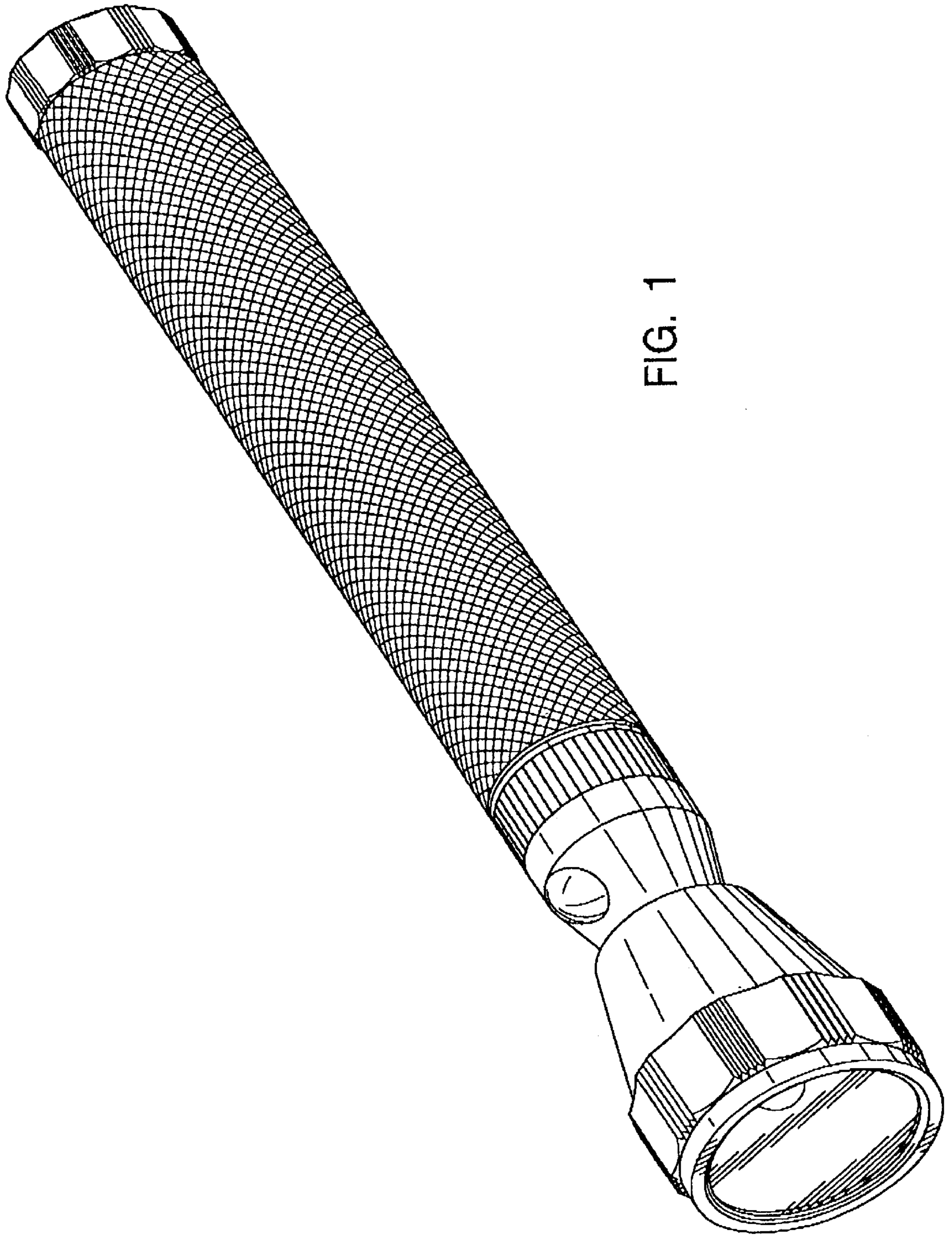


FIG. 1

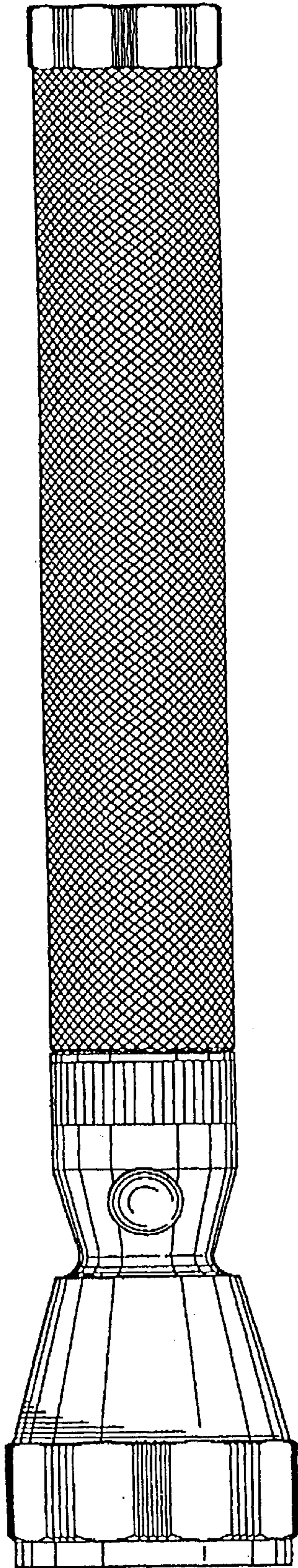


FIG. 2

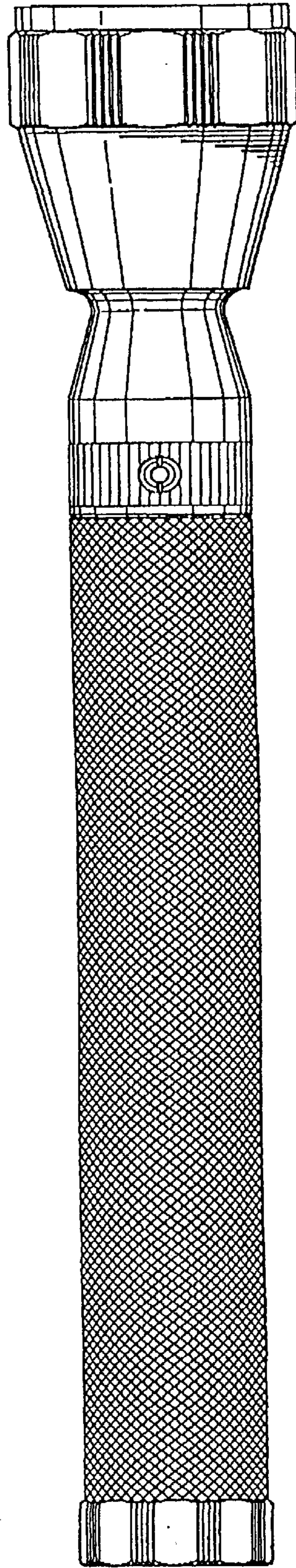


FIG. 3

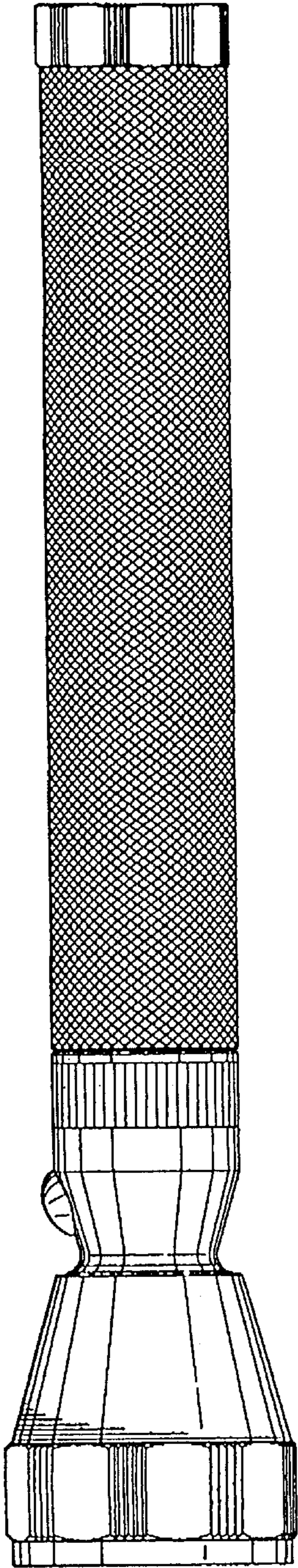


FIG. 4

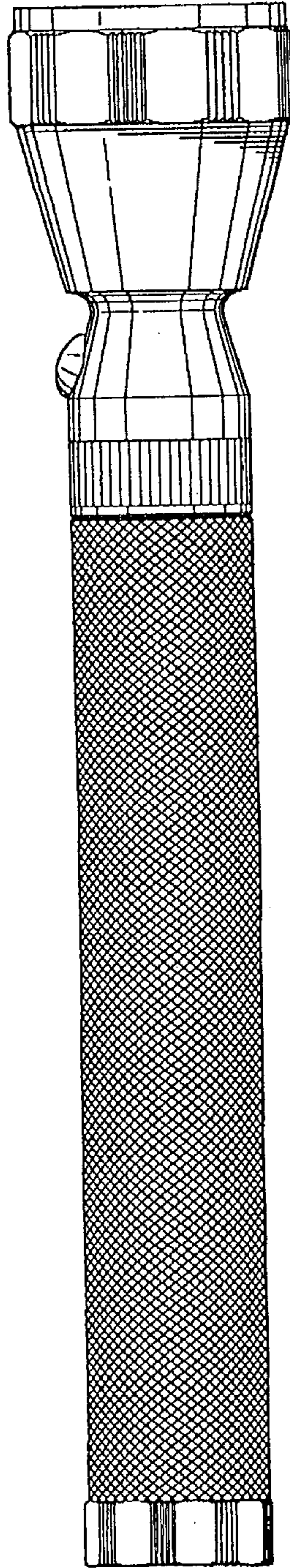


FIG. 5

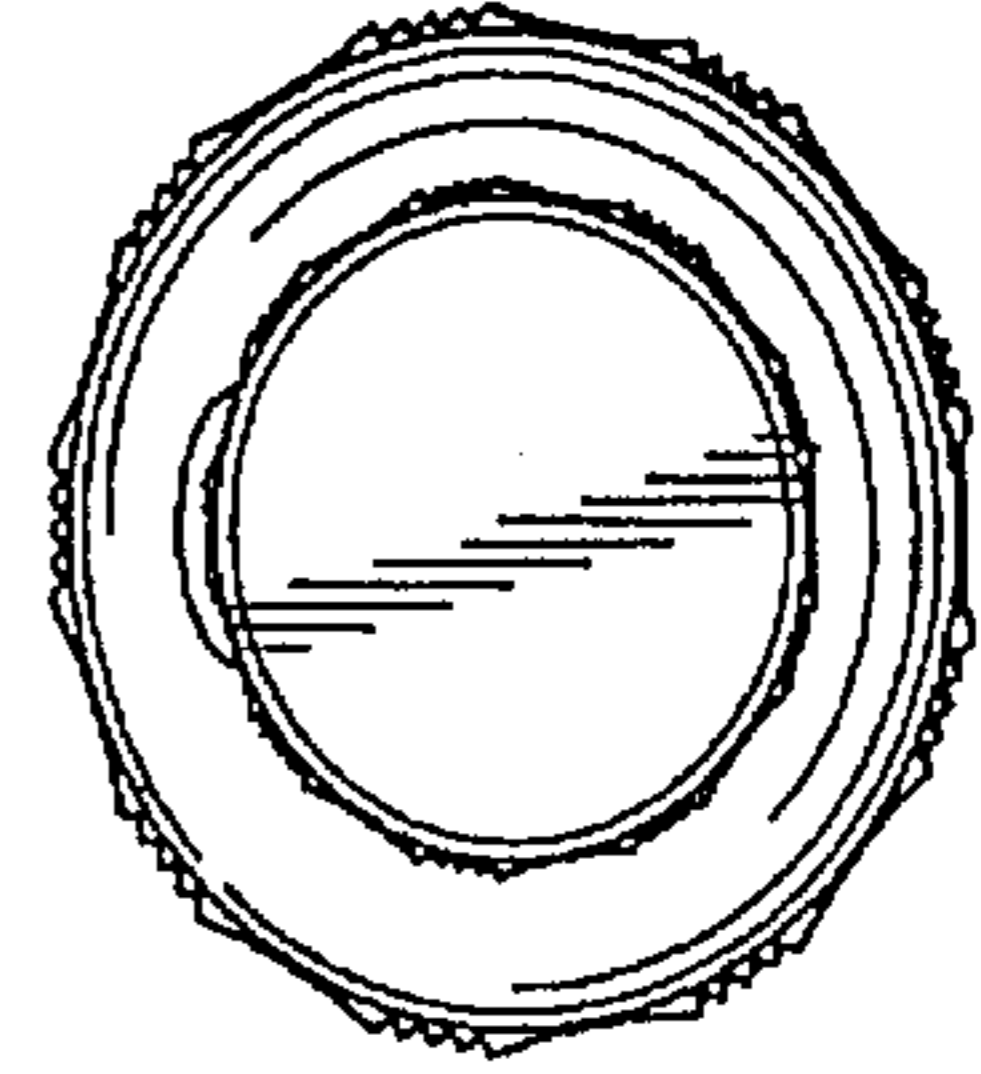


FIG. 7

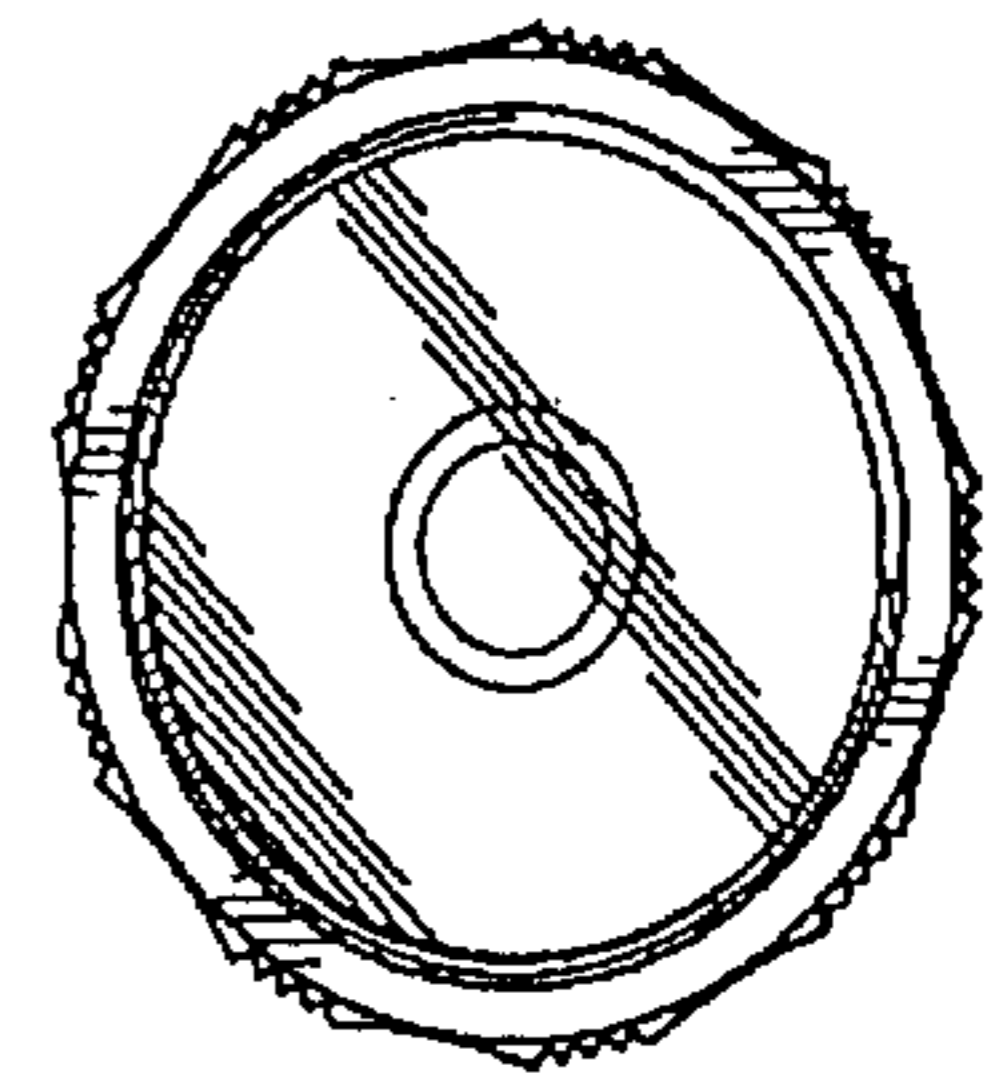


FIG. 6