



US00D417022S

United States Patent [19] Chiu

[11] **Patent Number: Des. 417,022**

[45] **Date of Patent: ** Nov. 23, 1999**

[54] **FLASHLIGHT**

[75] **Inventor: Terance Chi Ping Chiu**, Hong Kong,
The Hong Kong Special Administrative
Region of the People's Republic of
China

[73] **Assignee: Forexim (H.K) Limited**, Hong Kong,
The Hong Kong Special Administrative
Region of the People's Republic of
China

[**] **Term: 14 Years**

[21] **Appl. No.: 29/087,566**

[22] **Filed: May 5, 1998**

[51] **LOC (6) Cl. 26-02**

[52] **U.S. Cl. D26/49**

[58] **Field of Search D26/37-50; 362/157,
362/158, 183-208**

[56] **References Cited**

U.S. PATENT DOCUMENTS

- D. 360,044 7/1995 Jillery D26/49
- D. 363,361 10/1995 Maglica D26/49

D. 383,234 9/1997 Smith D26/49

Primary Examiner—Marcus A. Jackson
Attorney, Agent, or Firm—Ladas & Parry

[57] **CLAIM**

I claim the ornamental design for flashlight, as shown and described.

DESCRIPTION

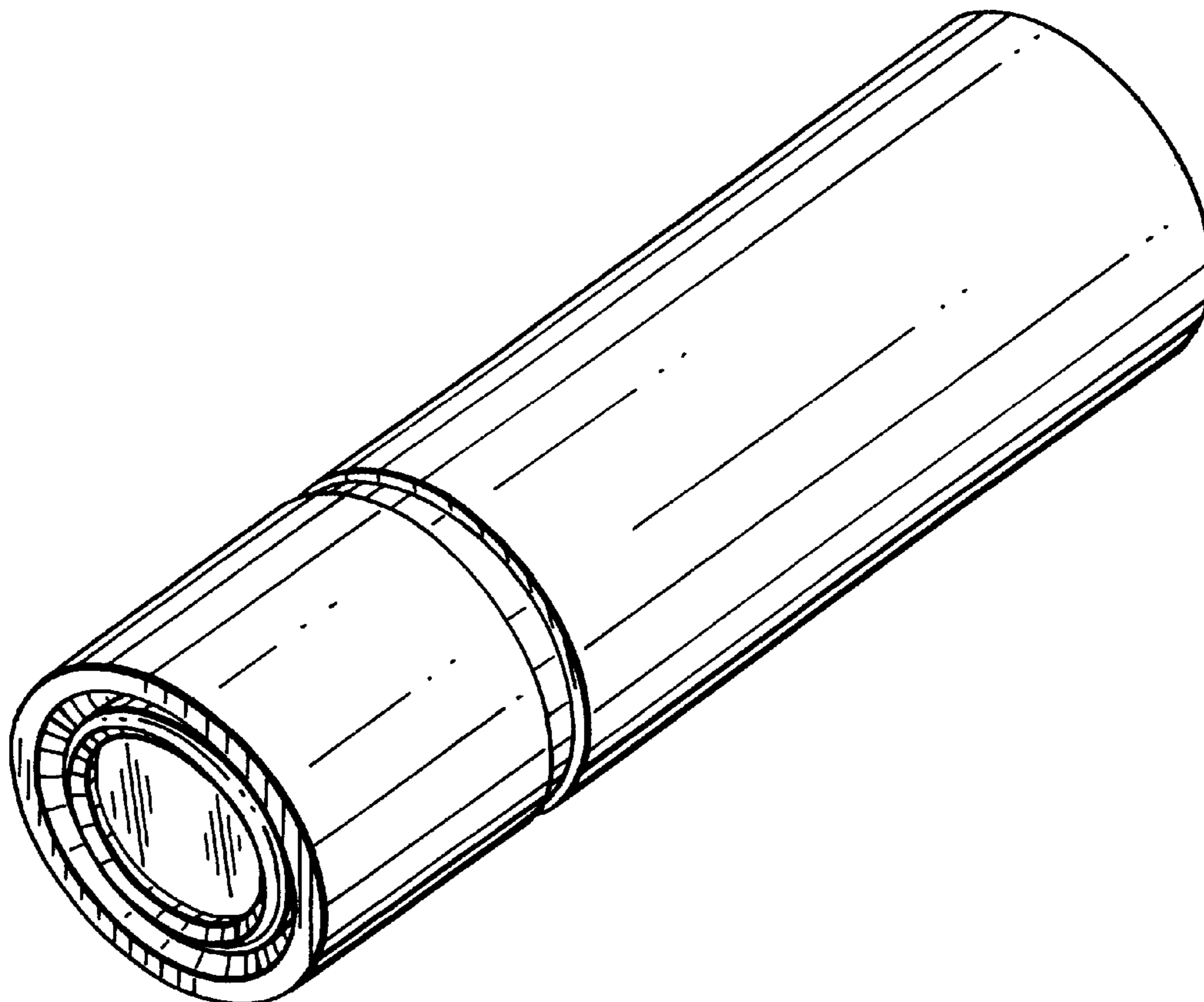
FIG. 1 is a top/right side/rear isometric view of a first embodiment of a flashlight showing my new design having a translucent panel in the center of the top;

FIG. 2 is a front side elevational view thereof, the right, left and rear side elevational views being the same and, therefore, not shown;

FIG. 3 is a top plan view of a second embodiment thereof having a transparent panel in the center of the top to reveal a concave inner chamber with a central bulb that is disclosed, the front, right, left and rear elevational views of the second embodiment being the same as the first embodiment and, therefore, not shown; and,

FIG. 4 is a bottom view of the first embodiment thereof, the bottom view of the second embodiment being the same and, therefore, not shown.

1 Claim, 1 Drawing Sheet



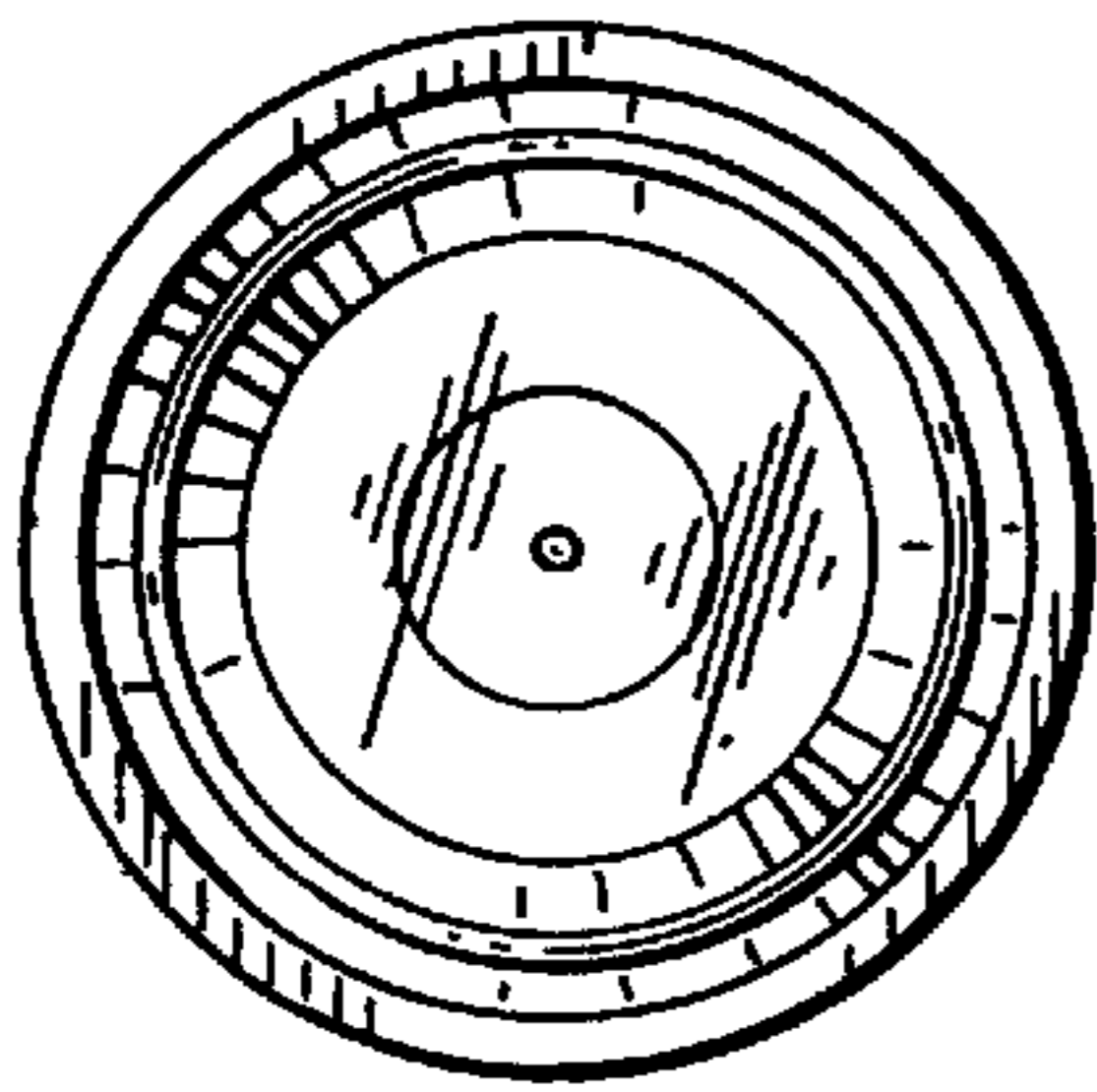


FIG. 3

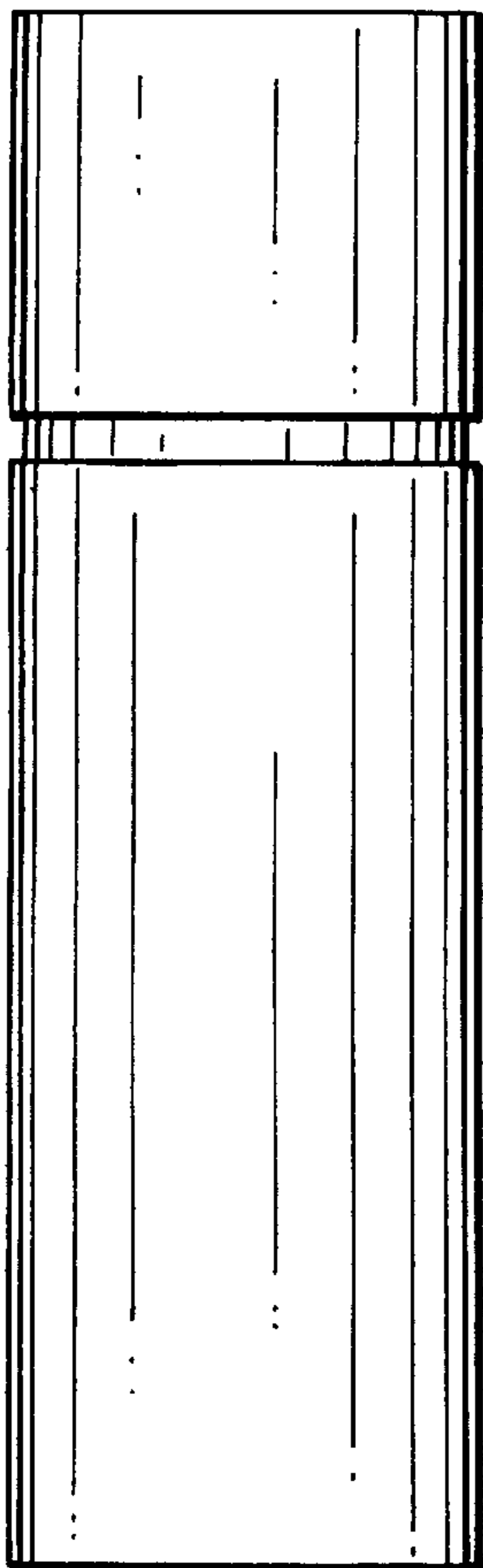


FIG. 2

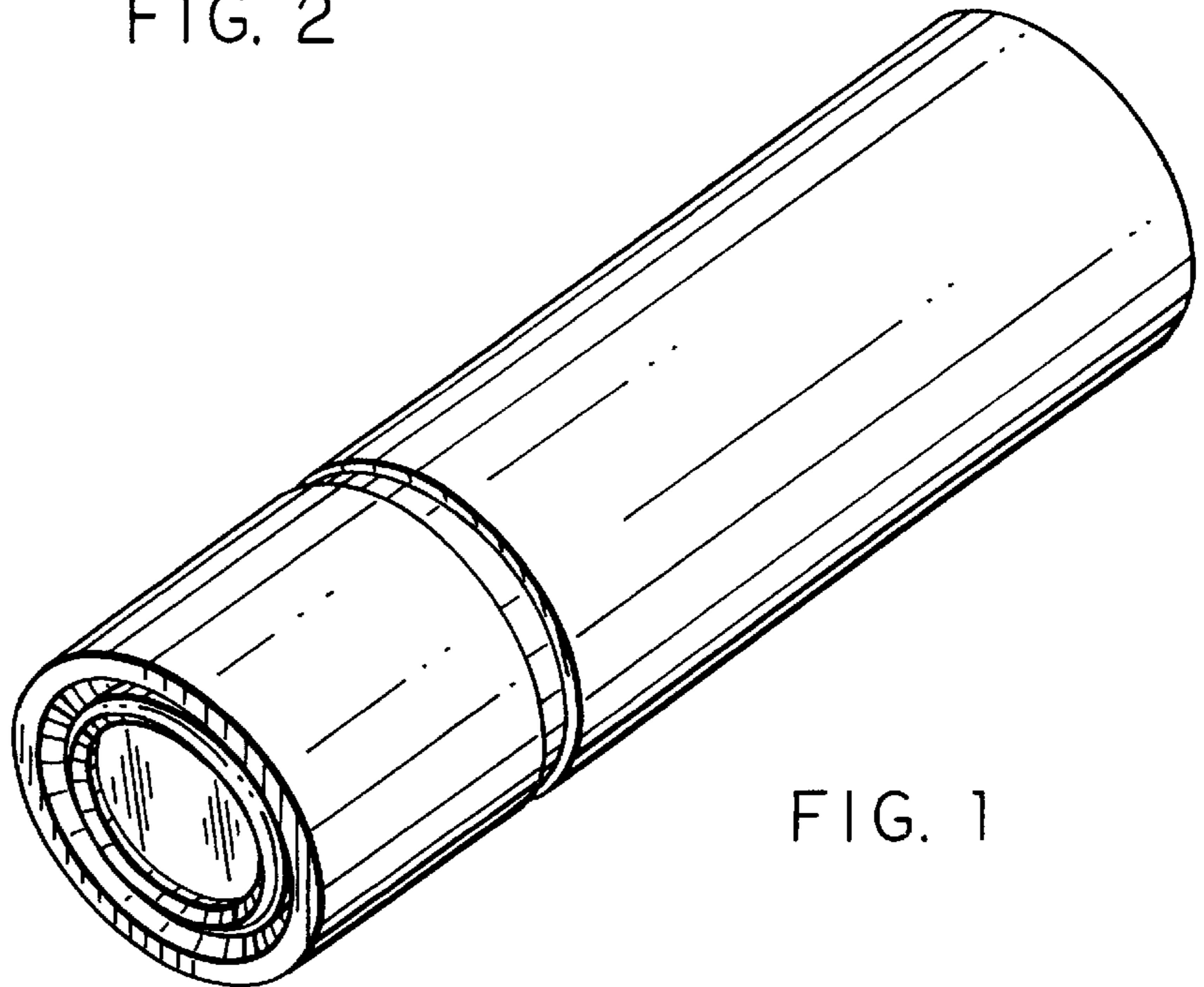


FIG. 1

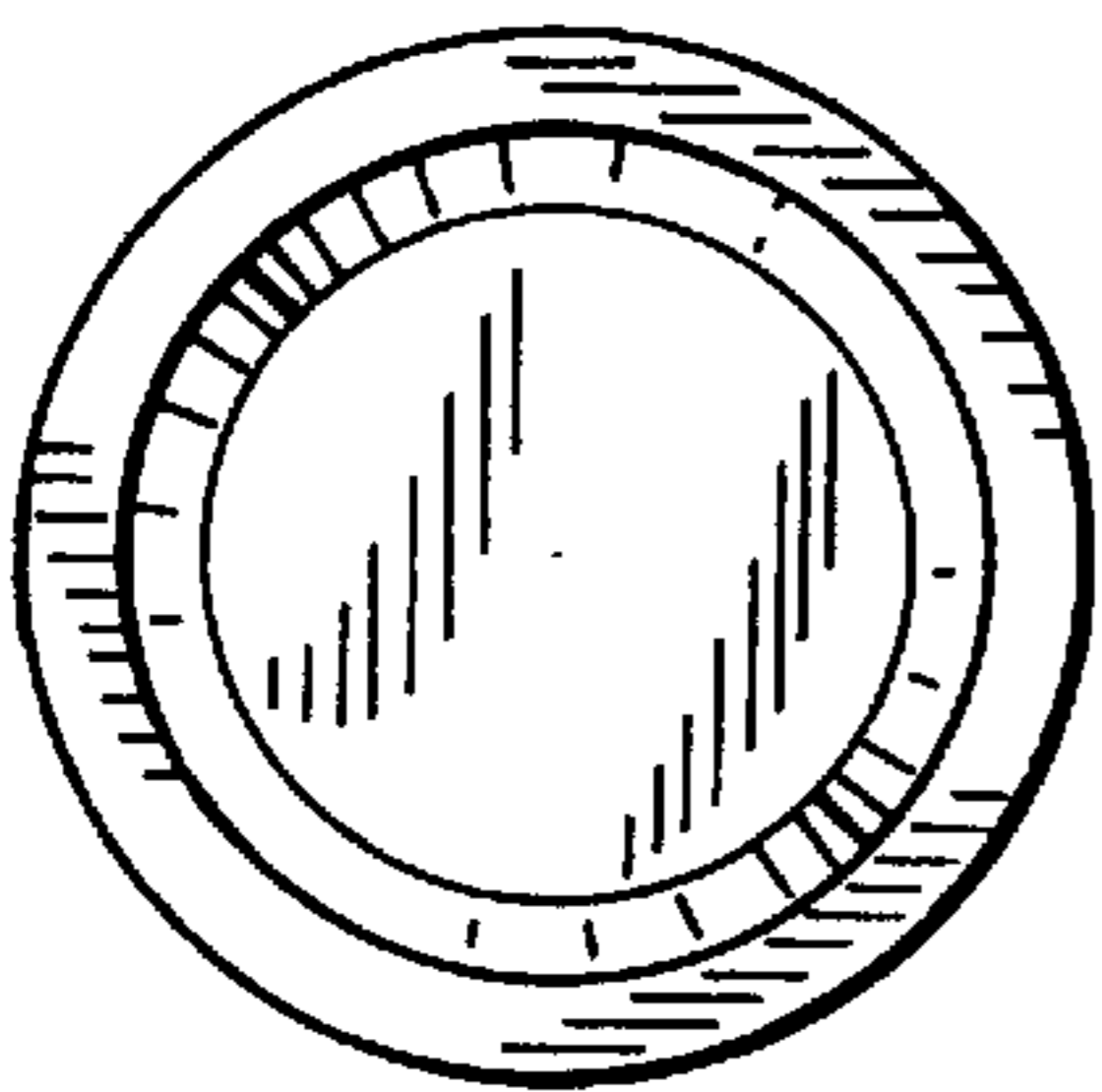


FIG. 4