



US00D417019S

United States Patent [19]

Rachwal et al.

[11] Patent Number: **Des. 417,019**

[45] Date of Patent: **** Nov. 23, 1999**

[54] FLASHLIGHT

[76] Inventors: **James D. Rachwal; Erwin J. Rachwal**, both of 4975 Southern Wood Dr., Sarasota, Fla. 34241

[**] Term: **14 Years**

[21] Appl. No.: **29/098,842**

[22] Filed: **Jan. 7, 1999**

[51] LOC (6) Cl. **26-02**

[52] U.S. Cl. **D26/37**

[58] Field of Search D26/37-50; 362/157, 362/158, 183-191, 194-208

[56] **References Cited**

U.S. PATENT DOCUMENTS

- D. 360,837 8/1995 Chui D26/38
- D. 361,633 8/1995 Chabria D26/37
- D. 384,175 9/1997 Ziu D26/38

- D. 388,713 1/1998 Yuen D26/38
- D. 397,465 8/1998 Youri D26/38
- D. 399,579 10/1998 Zai D26/38

Primary Examiner—Marcus A. Jackson
Attorney, Agent, or Firm—Tarolli, Sundheim, Covell, Tummino & Szabo

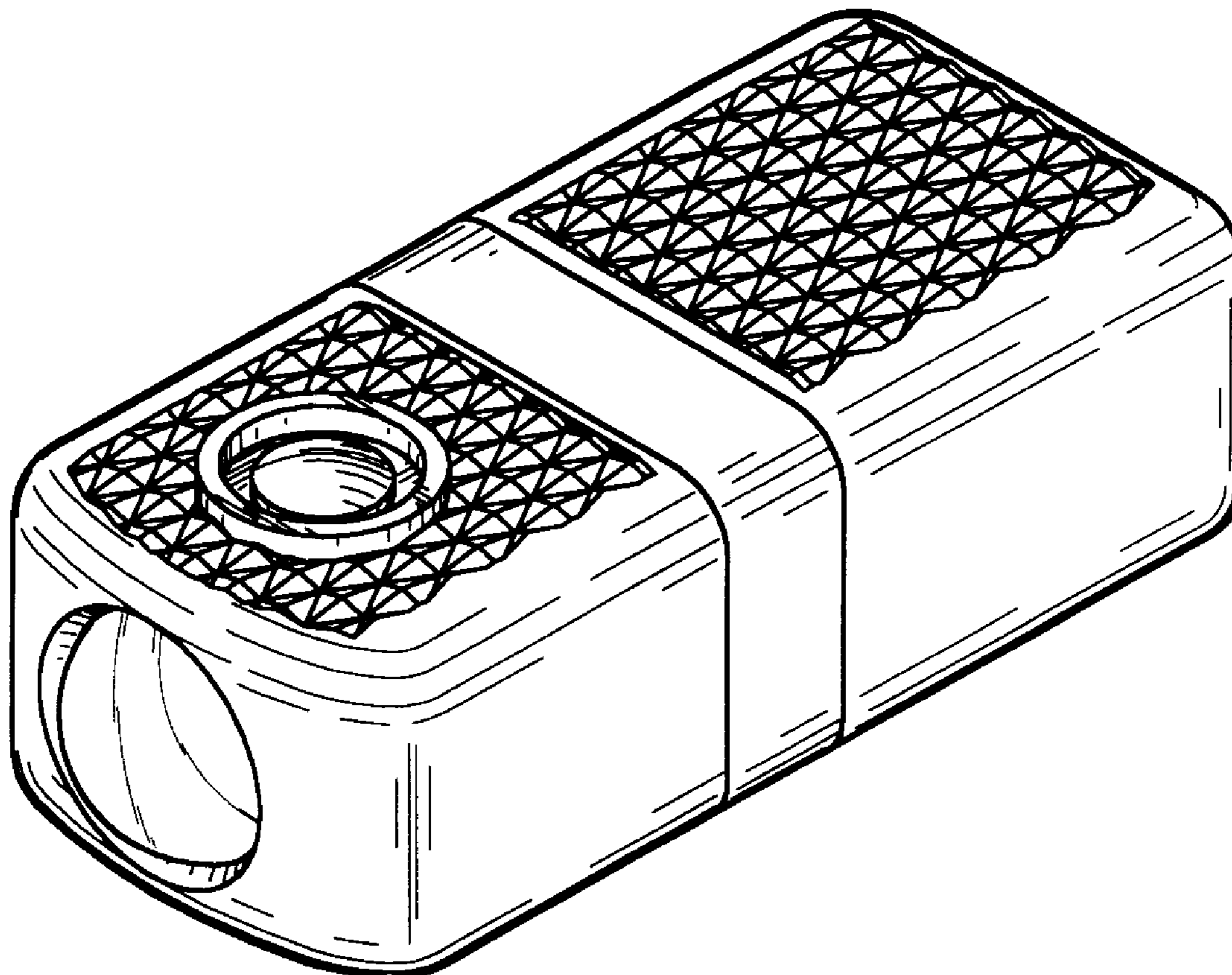
[57] **CLAIM**

The ornamental design for flashlight, as shown.

DESCRIPTION

FIG. 1 is a full size pictorial illustration of our new and original design for a flashlight;
FIG. 2 is a top plan view of FIG. 1;
FIG. 3 is a bottom plan view of FIG. 1;
FIG. 4 is a side elevational view of FIG. 1;
FIG. 5 is a front elevational view of FIG. 1; and,
FIG. 6 is a rear elevational view of FIG. 1.

1 Claim, 1 Drawing Sheet



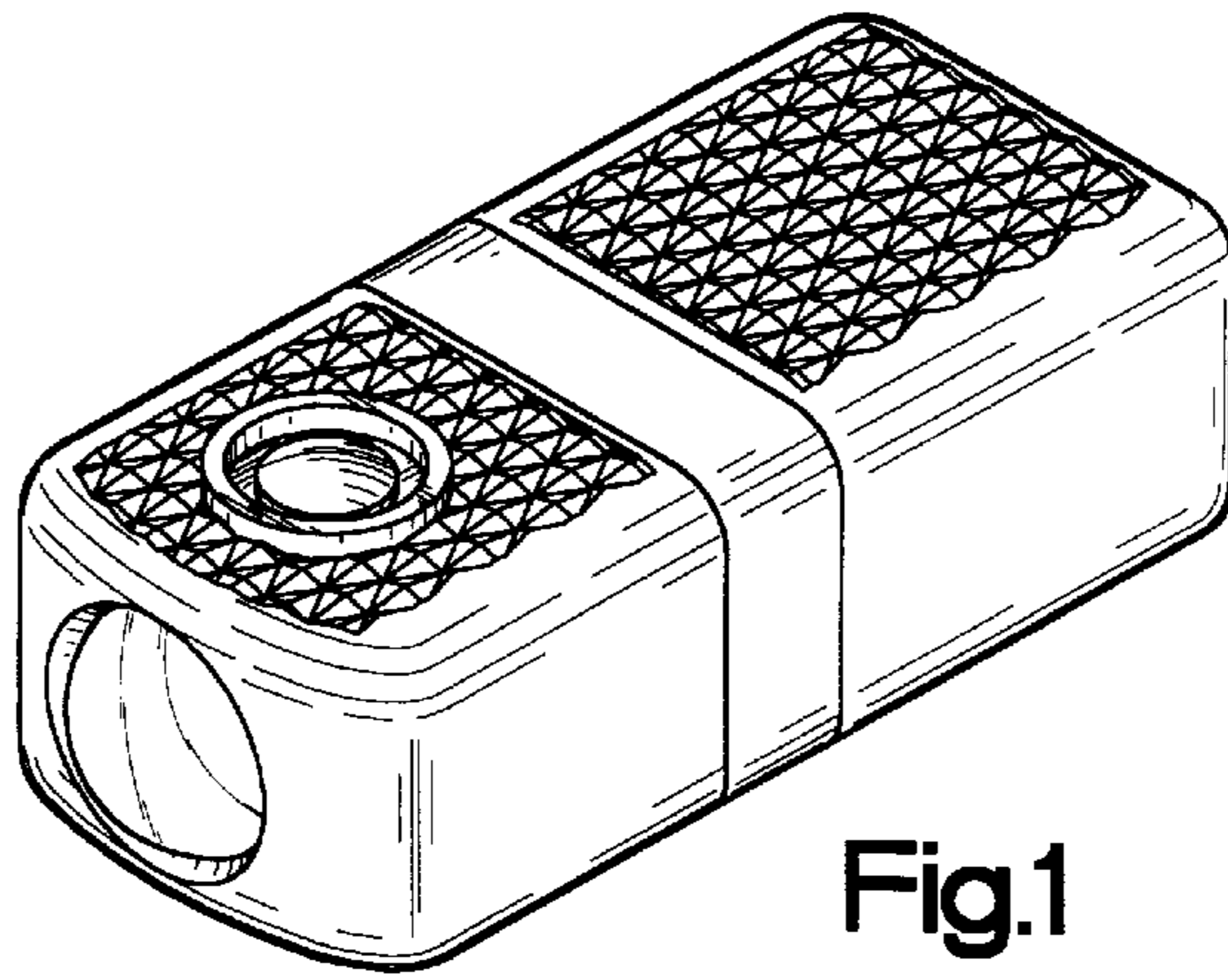


Fig.1

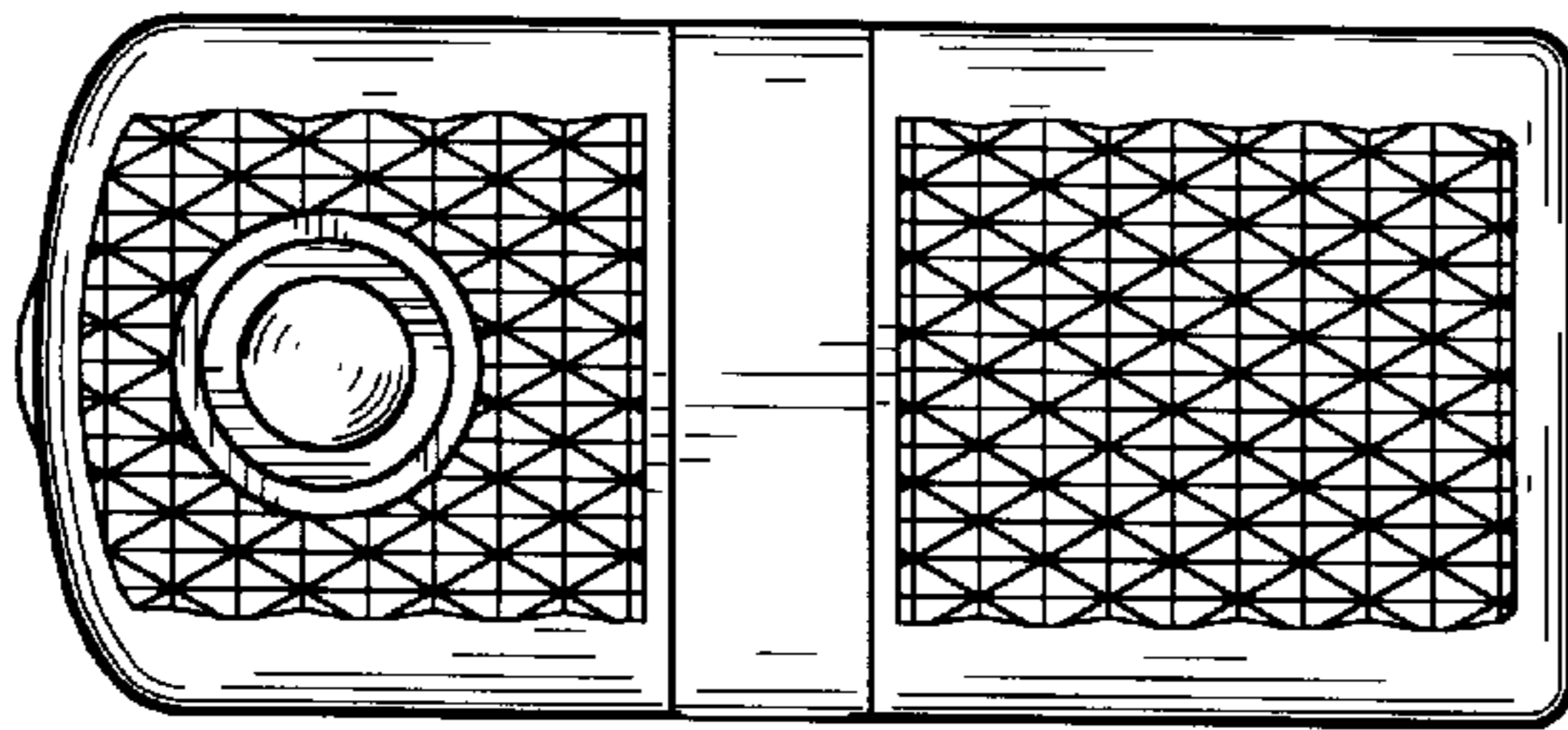


Fig.2

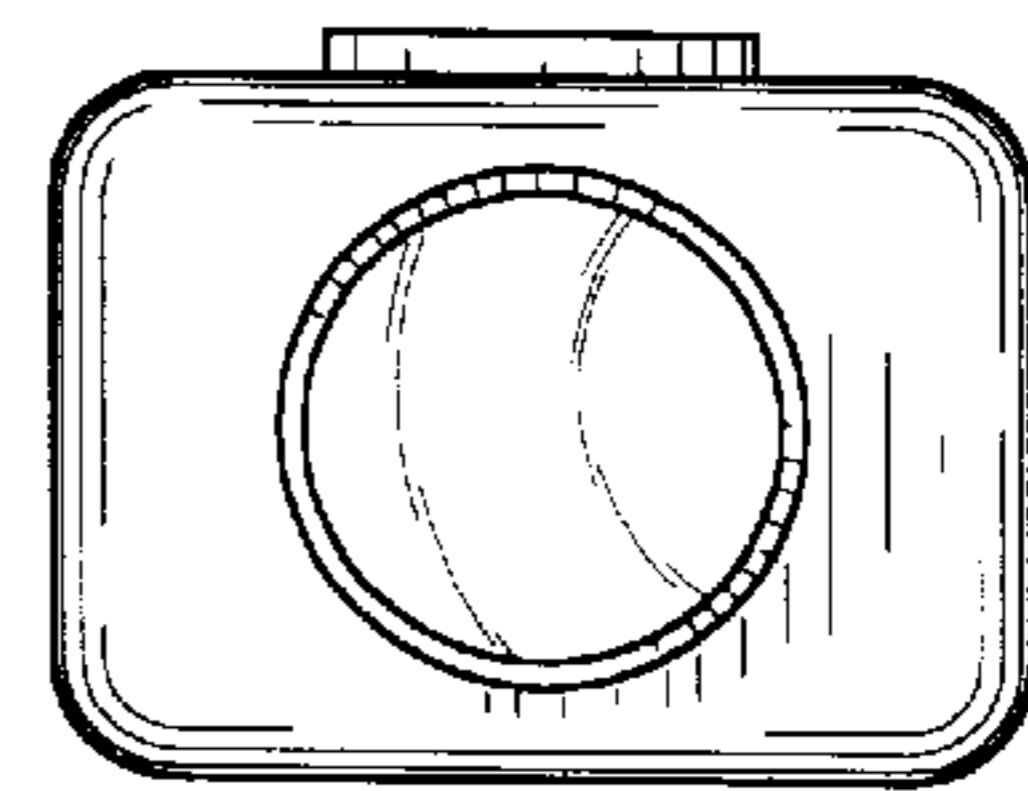


Fig.5

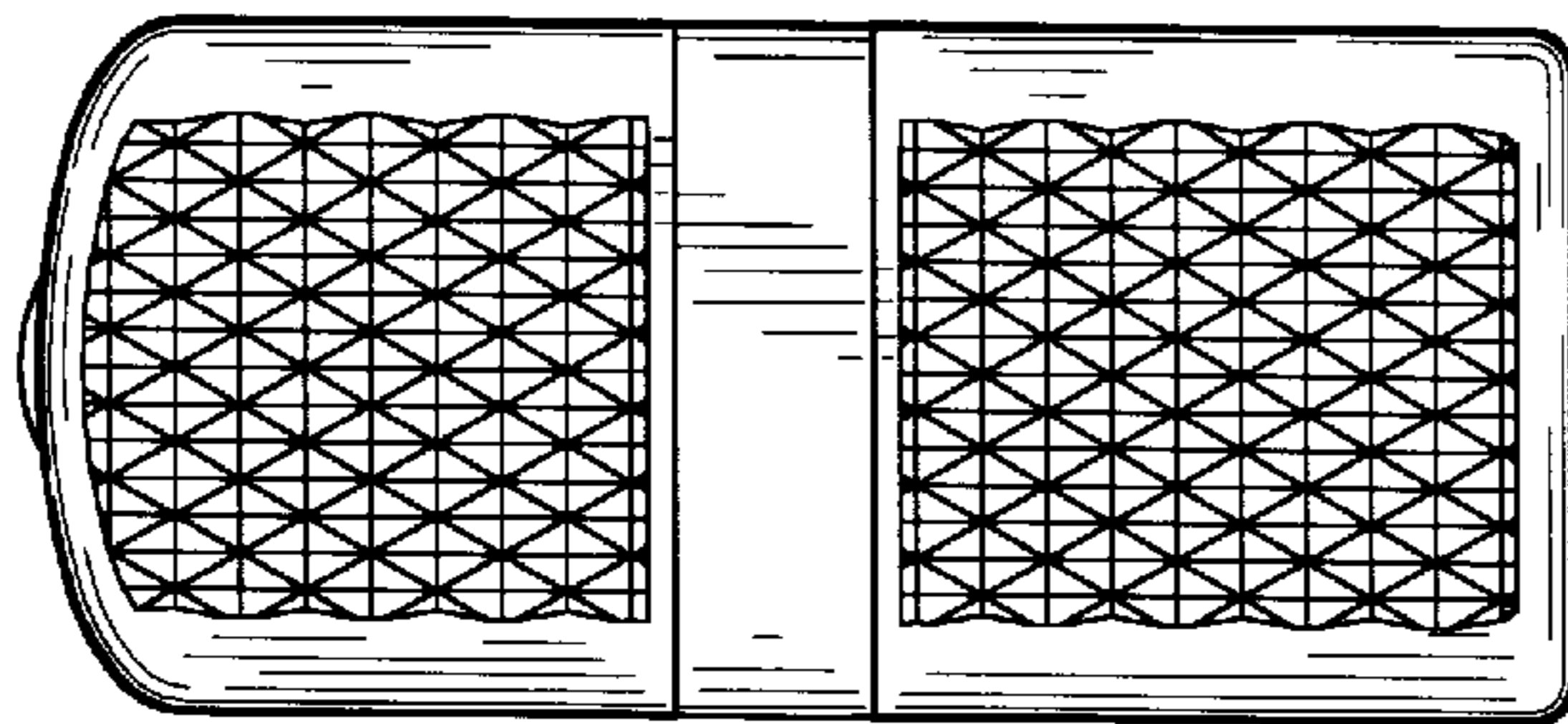


Fig.3

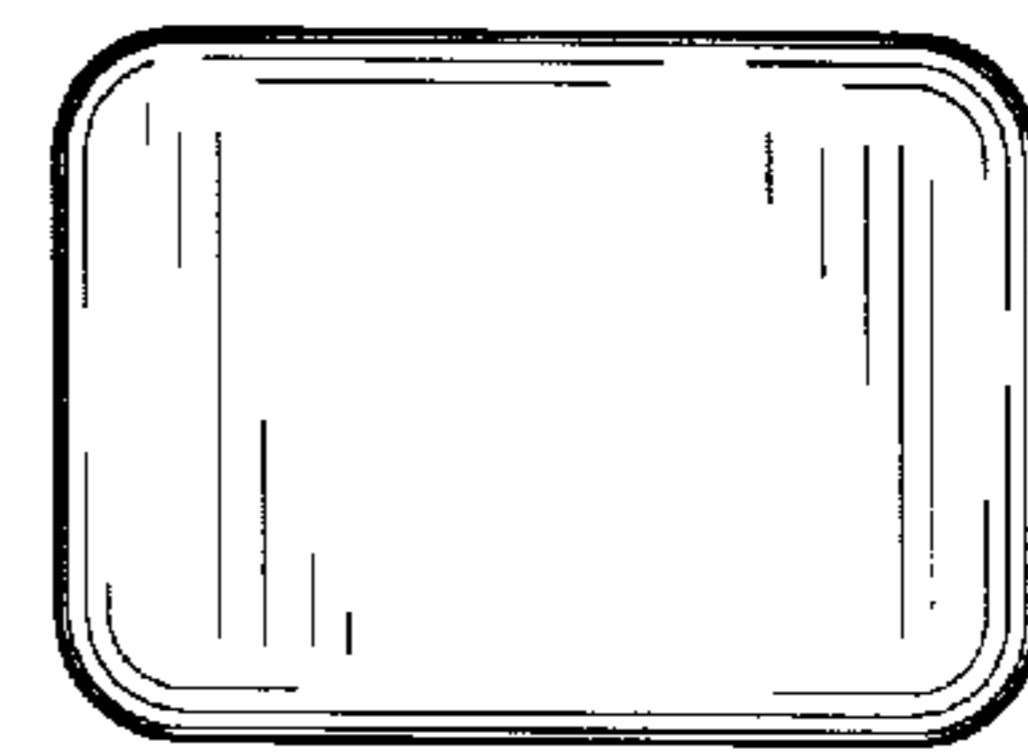


Fig.6

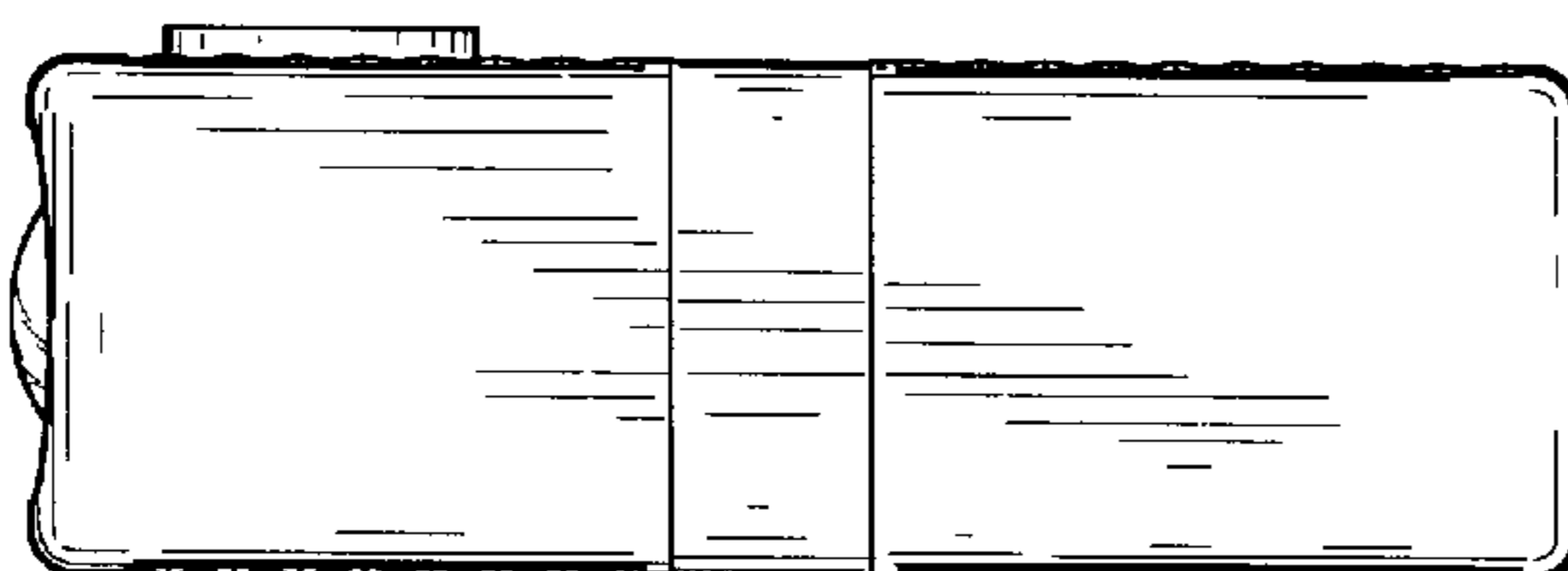


Fig.4