



US00D417009S

United States Patent [19] Boyd

[11] Patent Number: Des. 417,009

[45] Date of Patent: ** Nov. 23, 1999

[54] SAMPLE TUBE RACK

5,378,433 1/1995 Duckett et al. 422/104

[75] Inventor: Robert Boyd, Boulder, Colo.

Primary Examiner—Doris Clark
Assistant Examiner—I Simmons
Attorney, Agent, or Firm—Andrew L. Klawitter, Esq.;
Rodman & Rodman

[73] Assignee: Bayer Corporation, Tarrytown, N.Y.

[**] Term: 14 Years

[57] CLAIM

[21] Appl. No.: 29/084,450

The ornamental design for a sample tube rack, as shown and described.

[22] Filed: Mar. 2, 1998

DESCRIPTION

[51] LOC (6) Cl. 06-04

[52] U.S. Cl. D24/227; D24/229

[58] Field of Search D24/227, 229;
422/102, 104, 65, 63; 211/74, 70.1

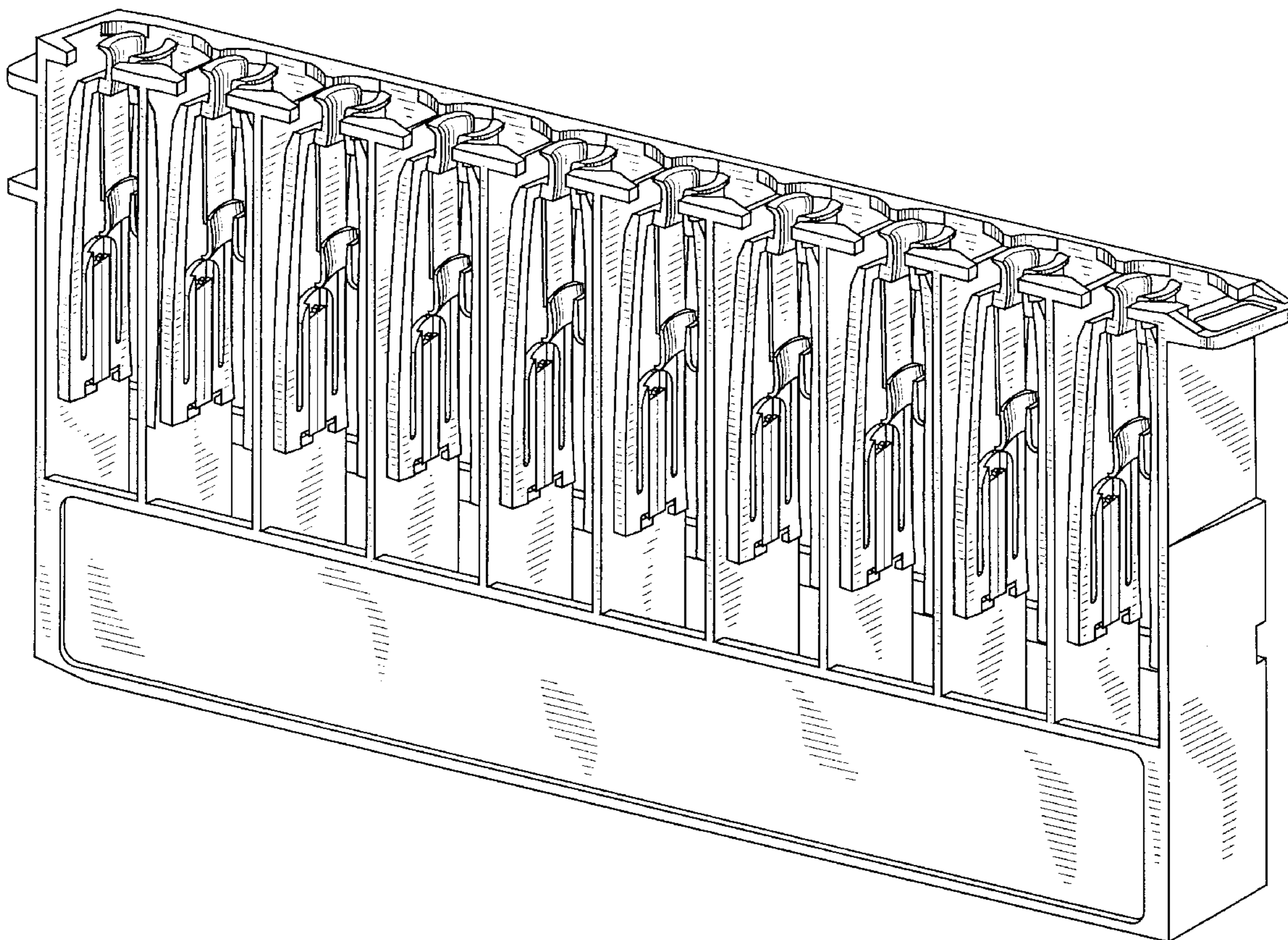
FIG. 1 is a front perspective view of a sample tube rack showing our new design;
FIG. 2 is a front elevational view thereof;
FIG. 3 is a top plan view thereof;
FIG. 4 is a bottom plan view thereof;
FIG. 5 is a left side elevational view thereof;
FIG. 6 is a right side elevational view thereof; and,
FIG. 7 is a rear elevational view thereof.

[56] References Cited

U.S. PATENT DOCUMENTS

D. 382,346	8/1997	Buhler et al.	D24/227
4,022,579	5/1977	Reuillet et al.	211/74 X
4,534,465	8/1985	Rothermel et al.	211/74 X
5,186,339	2/1993	Heissler	D24/229

1 Claim, 5 Drawing Sheets



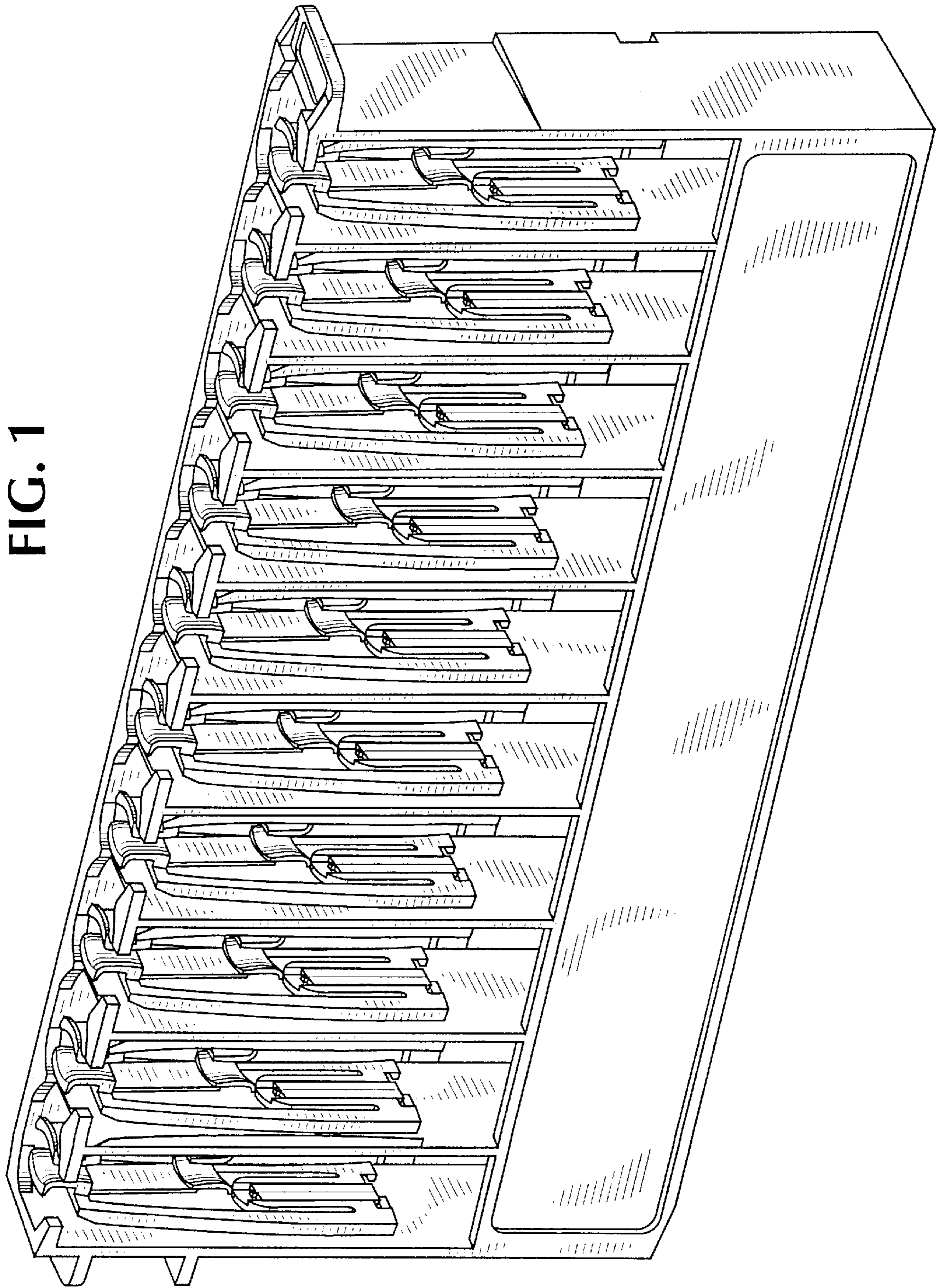


FIG. 1

FIG. 2

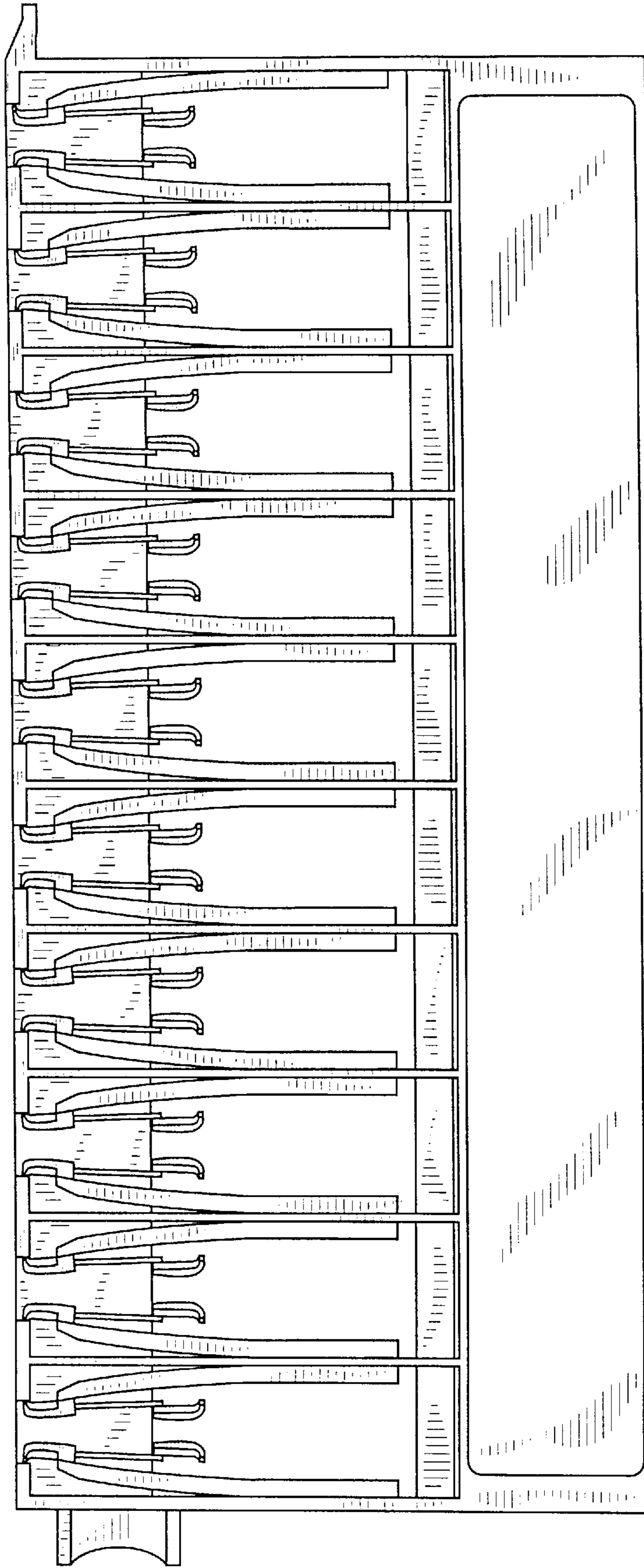


FIG. 3

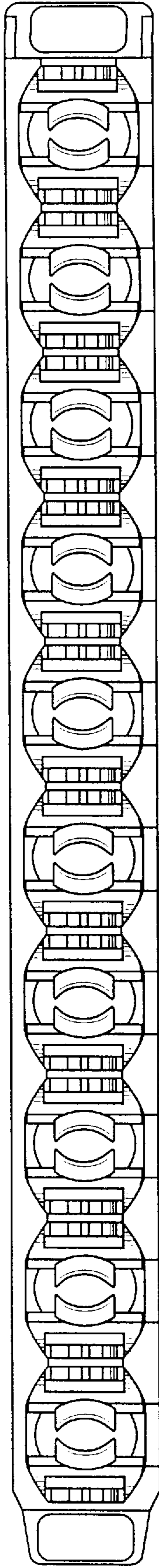


FIG. 4

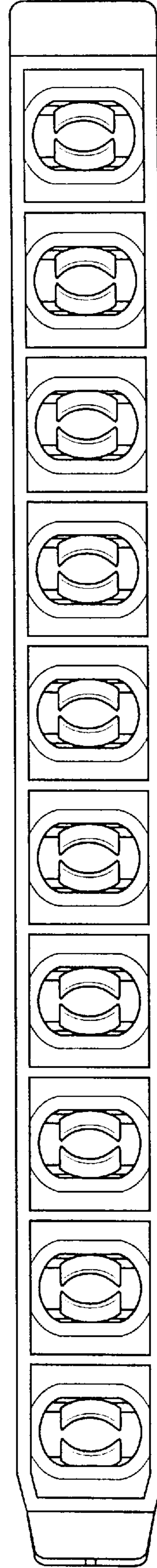


FIG. 6

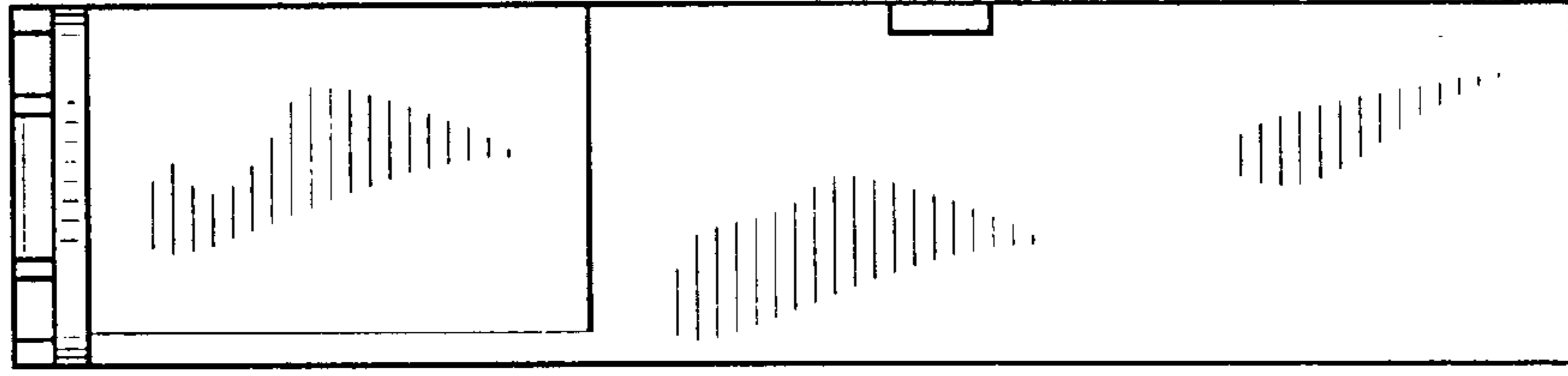


FIG. 5

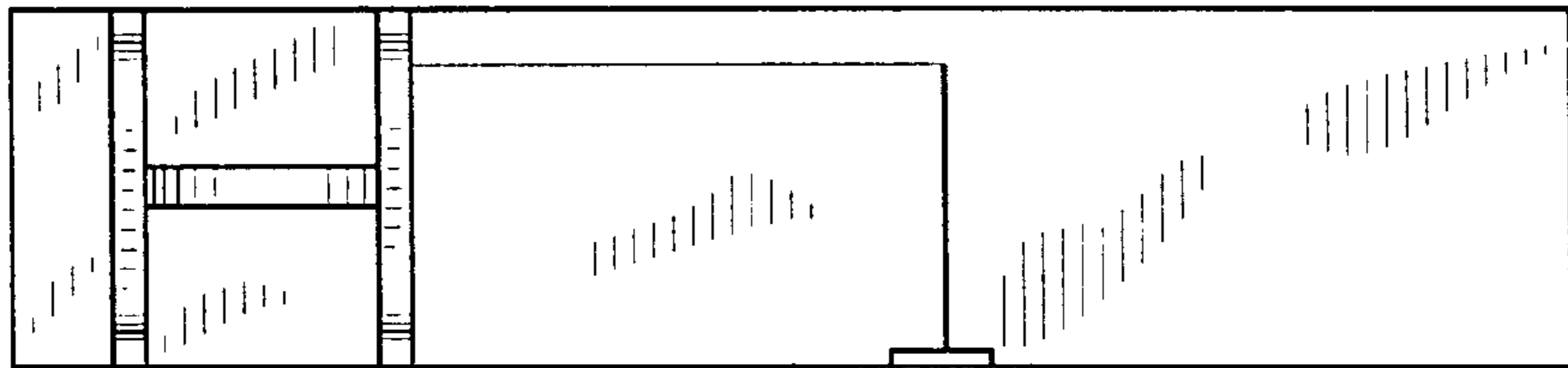


FIG. 7

