



US00D417002S

United States Patent [19] Scott

[11] **Patent Number: Des. 417,002**

[45] **Date of Patent: ** Nov. 23, 1999**

[54] **ROLL OF PROTECTIVE COVERS FOR BLOOD PRESSURE CUFF**

[76] Inventor: **Isaac Ed Scott**, 1925 S. Aspaas, Cornville, Ariz. 86325

[**] Term: **14 Years**

[21] Appl. No.: **29/089,827**

[22] Filed: **Jun. 24, 1998**

[51] **LOC (6) Cl. 24-04**

[52] **U.S. Cl. D24/165**

[58] **Field of Search D24/165, 166; 606/202; 600/490, 485**

[56] **References Cited**

U.S. PATENT DOCUMENTS

3,669,096	6/1972	Hurwitz	600/499
4,354,503	10/1982	Golden	600/499
4,465,076	8/1984	Sturgeon	600/499
4,548,249	10/1985	Slaughterbeck	150/52 R
4,838,276	6/1989	Nagai et al.	128/686
5,228,448	7/1993	Byrd	128/677
5,411,518	5/1995	Goldstein et al.	606/202
5,413,582	5/1995	Eaton	606/202
5,513,643	5/1996	Suite	128/686

5,620,001	4/1997	Byrd et al.	128/686
5,651,368	7/1997	Napolitano et al.	128/677
5,669,390	9/1997	McCormick et al.	128/686
5,690,672	11/1997	Cohen	606/203

Primary Examiner—Stella Reid
Attorney, Agent, or Firm—Snell & Wilmer, L.L.P.

[57] **CLAIM**

The ornamental design for a roll of protective covers for blood pressure cuff, as shown and described.

DESCRIPTION

FIG. 1 is a perspective view of a single protective cover for a blood pressure cuff, showing my new design, wherein the broken line showing of the blood pressure cuff is for illustrative purposes only and forms no part of the claimed design;

FIG. 2 is a cross-sectional view of FIG. 1 taken along line 2—2 of FIG. 1;

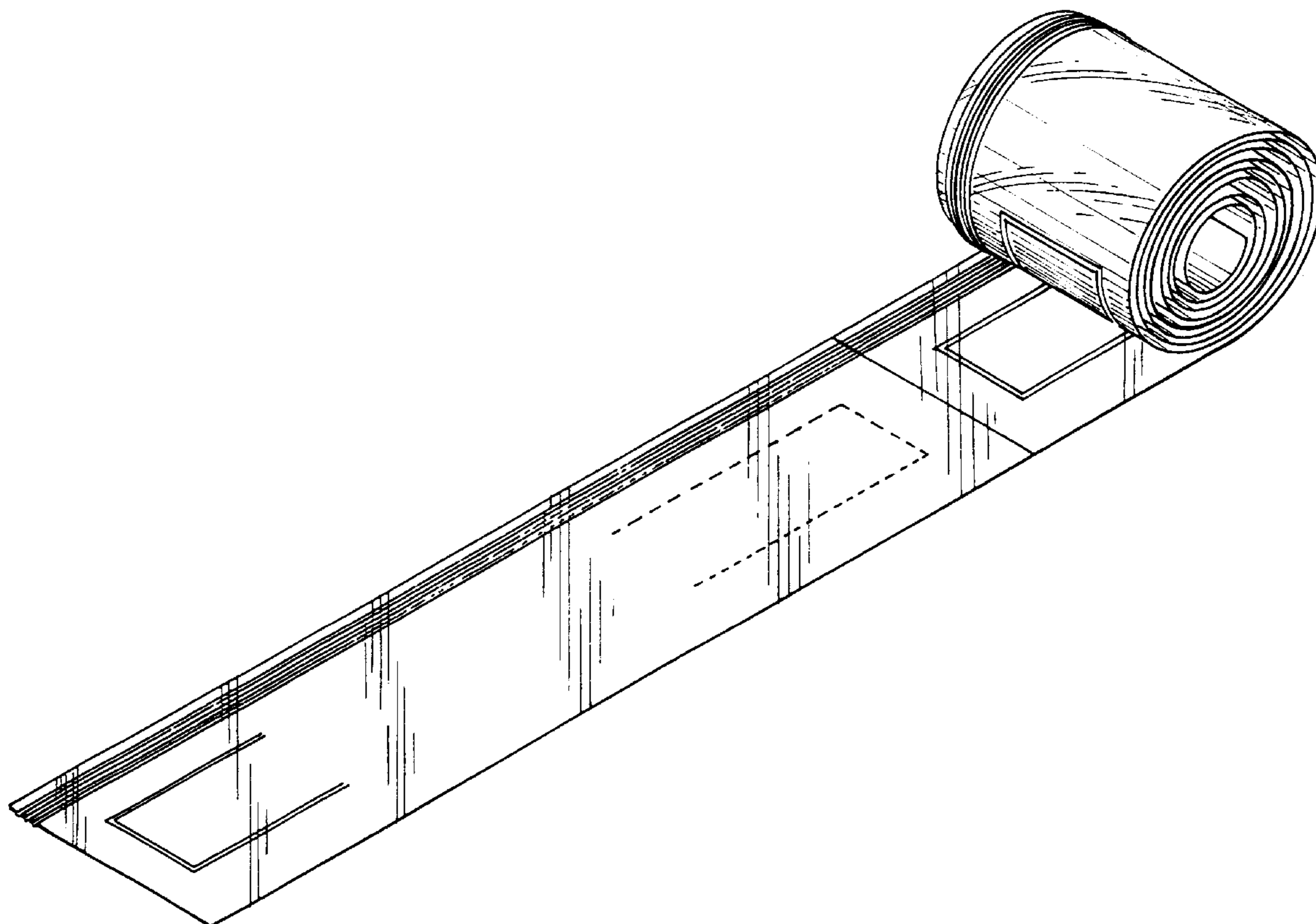
FIG. 3 is a front elevational view thereof;

FIG. 4 is a top plan view thereof;

FIG. 5 is a side elevational view thereof; and,

FIG. 6 is a perspective view of a roll of protective covers for a blood pressure cuff.

1 Claim, 3 Drawing Sheets



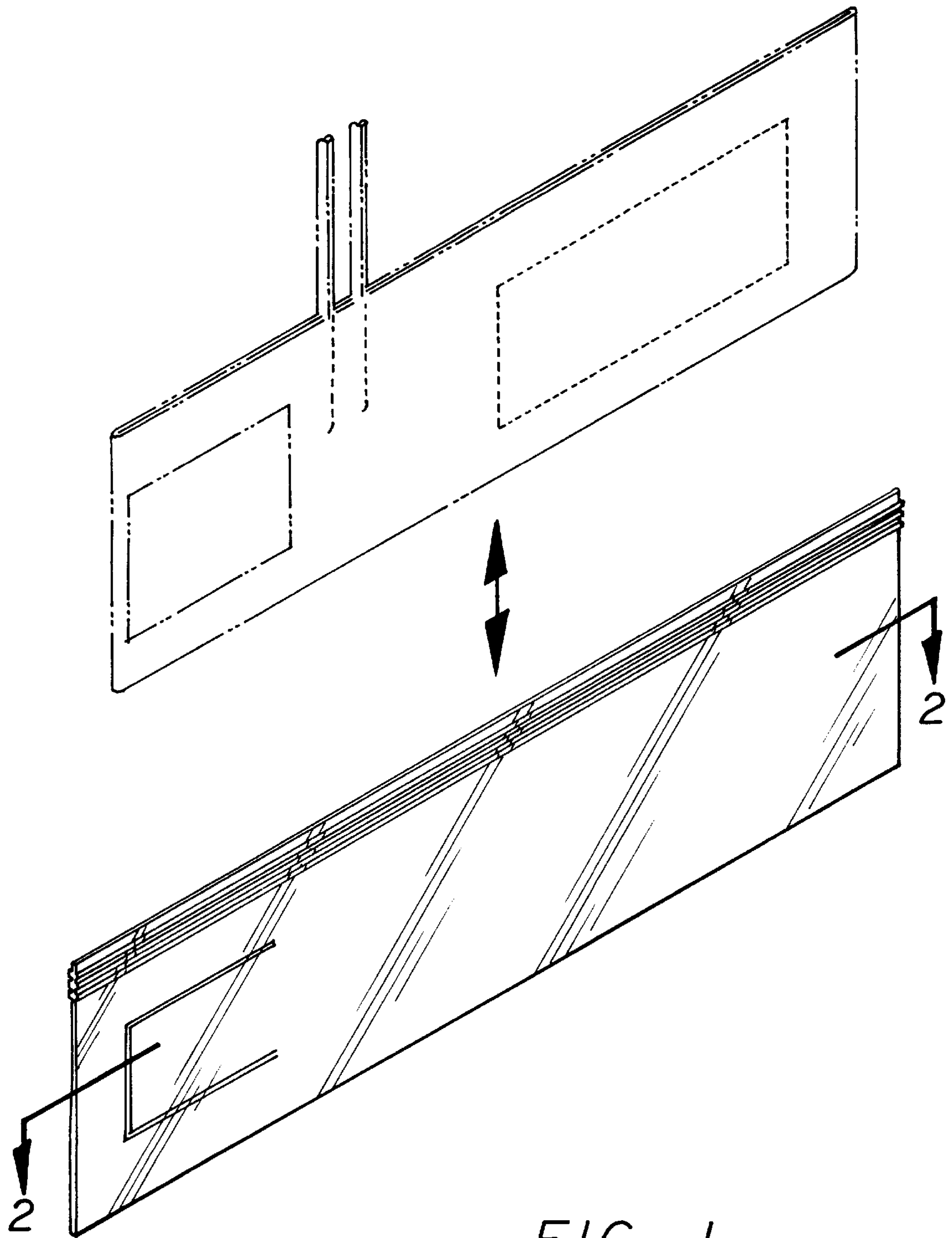


FIG. 1

FIG. 2

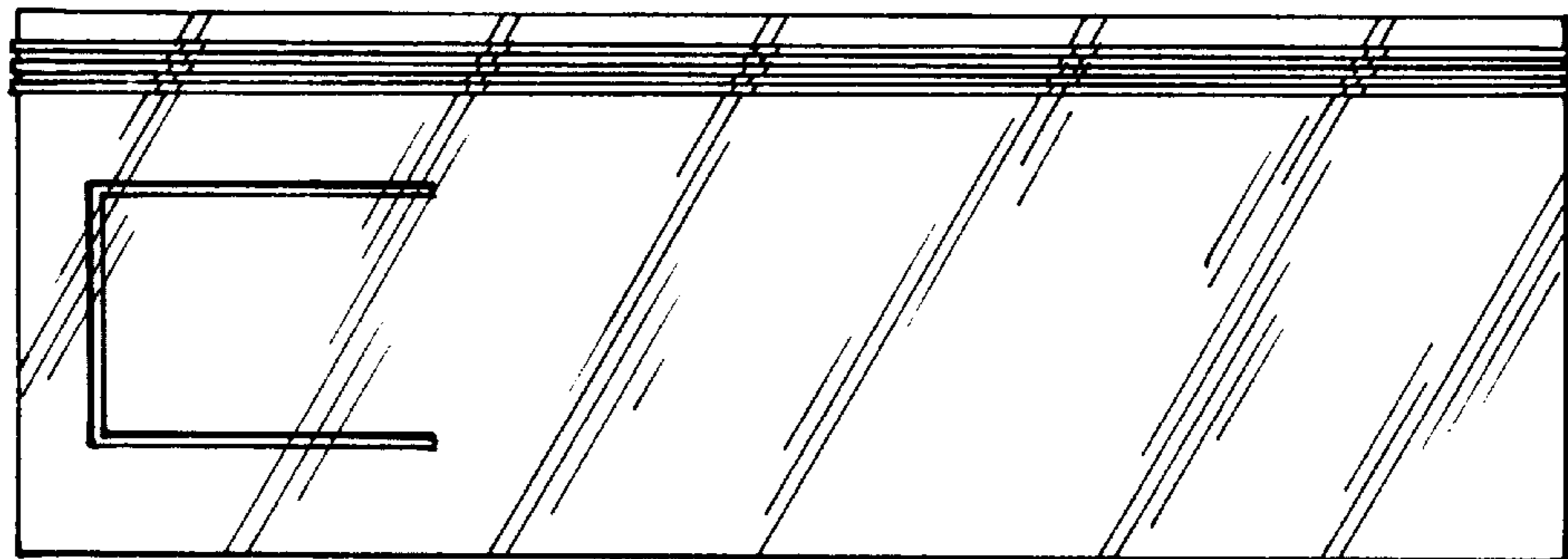
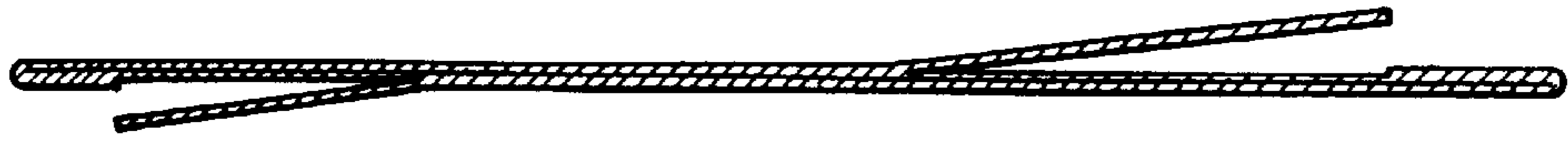


FIG. 3

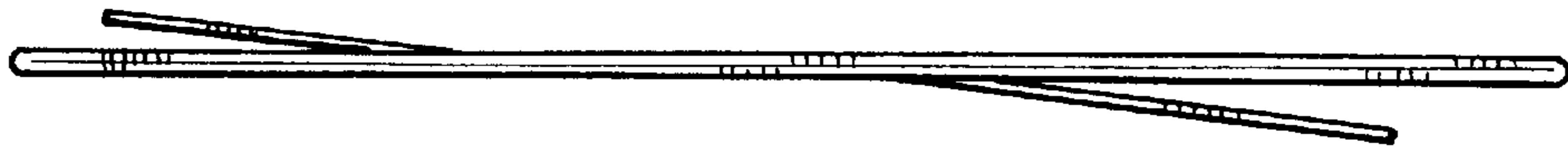


FIG. 4



FIG. 5

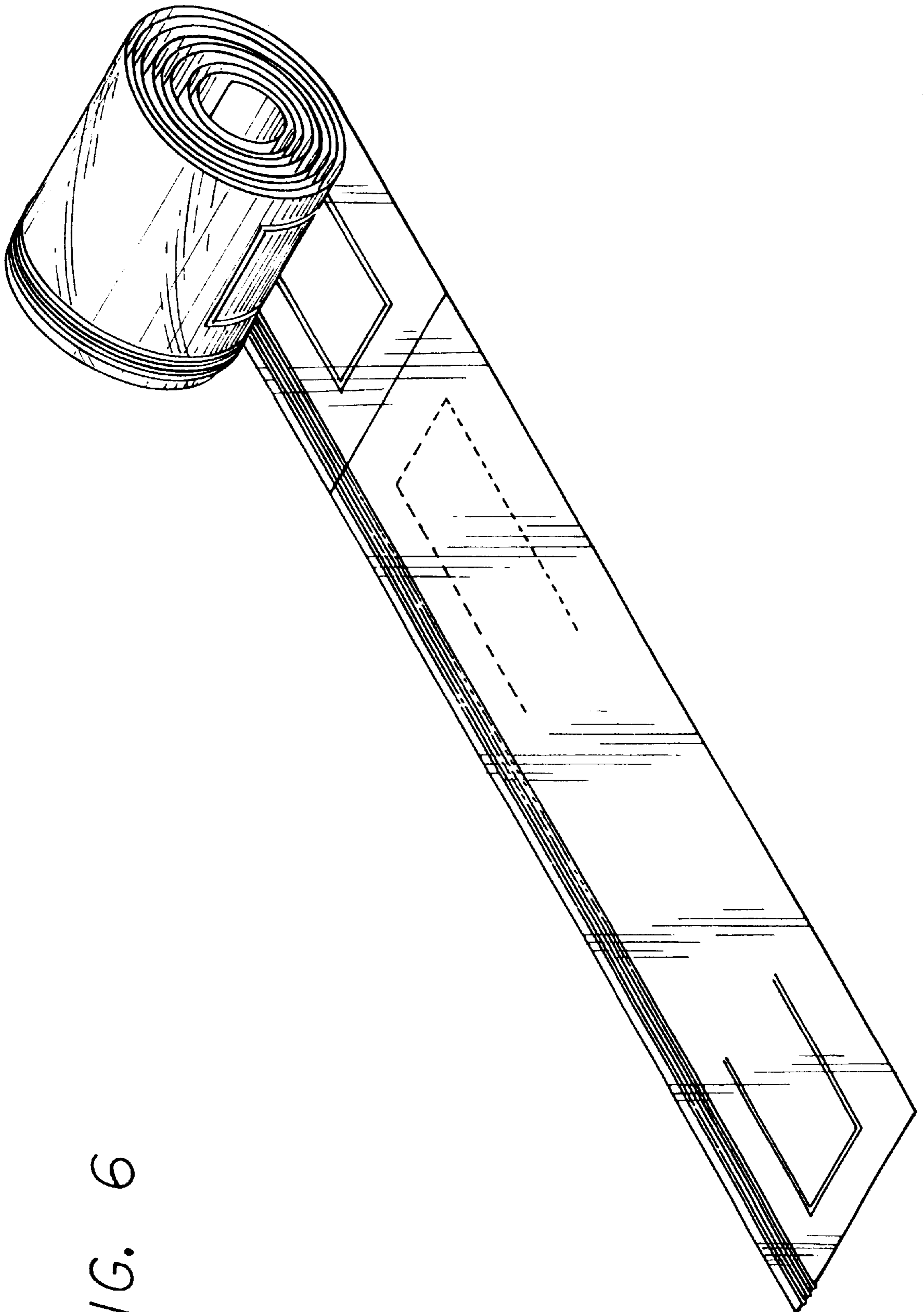


FIG. 6