



US00D416999S

United States Patent [19]
Miyamoto

[11] **Patent Number: Des. 416,999**

[45] **Date of Patent: ** Nov. 23, 1999**

[54] **COMBINED INTRAVENOUS DROP RATE MONITOR AND CONTROLLER**

[75] Inventor: **Isshin Miyamoto**, Fukuoka, Japan

[73] Assignee: **I'M Co., Ltd**, Fukuoka, Japan

[**] Term: **14 Years**

[21] Appl. No.: **29/091,093**

[22] Filed: **Jul. 22, 1998**

[30] **Foreign Application Priority Data**

Mar. 9, 1998 [JP] Japan 10-6430

[51] **LOC (6) Cl.** **15-02**

[52] **U.S. Cl.** **D24/111**

[58] **Field of Search** D24/111; D13/107,
D13/108; 604/151, 65, 67, 131, 246, 251;
417/474, 470; 128/DIG. 12, DIG. 13

[56] **References Cited**

U.S. PATENT DOCUMENTS

- D. 289,327 4/1987 Campbell et al. D24/111
- D. 312,879 12/1990 Atem D24/111
- D. 347,472 5/1994 Sunderland et al. D24/111
- D. 348,730 7/1994 Walker et al. D24/111

Primary Examiner—Stella Reid
Assistant Examiner—I Simmons
Attorney, Agent, or Firm—John V. Stewart

[57] **CLAIM**

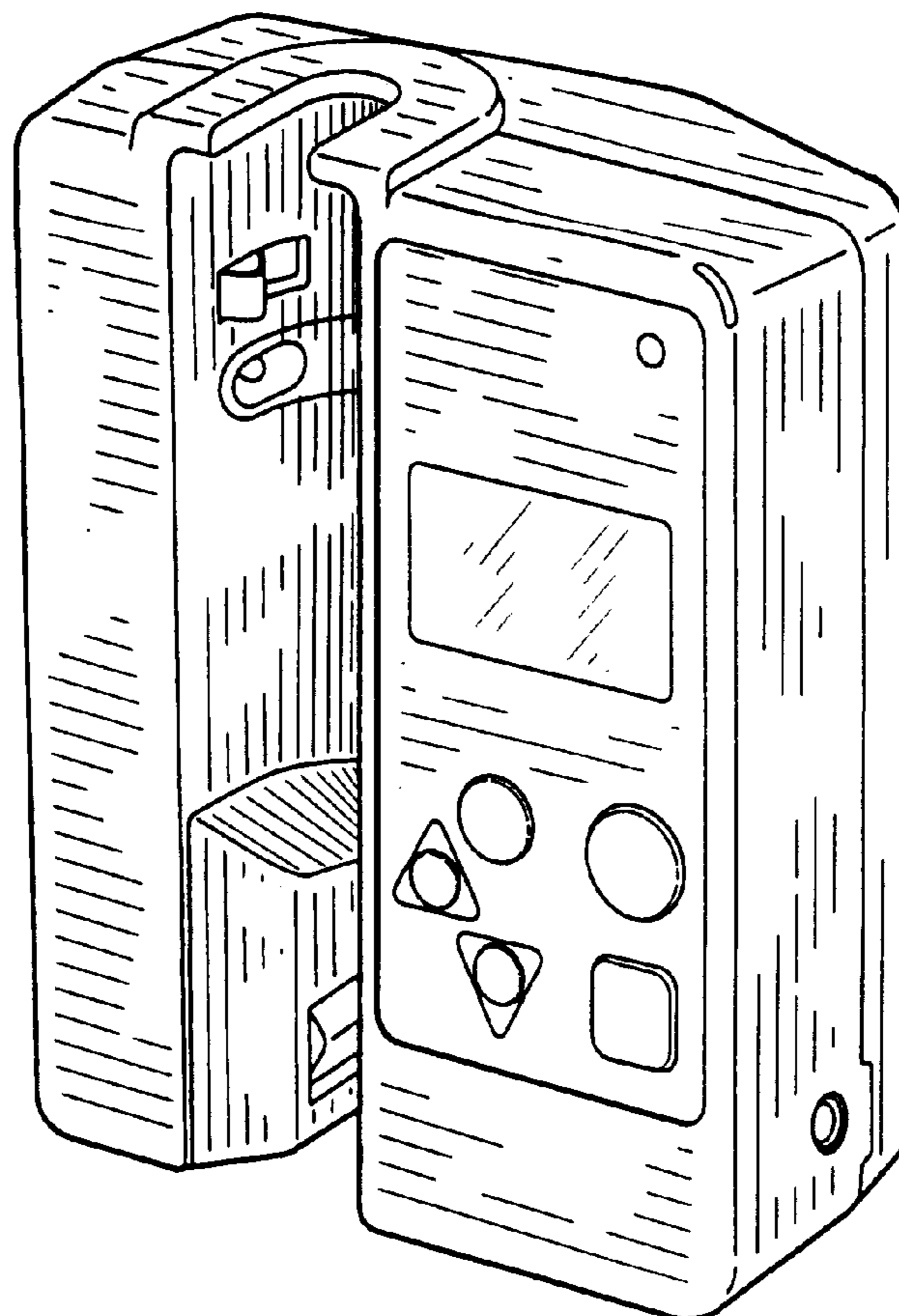
I claim the ornamental design for an combined intravenous drop rate monitor and controller, as shown and described

DESCRIPTION

FIG. 1 is a front upper perspective view of an combined intravenous drop rate monitor and controller;
FIG. 2 is a back lower perspective view;
FIG. 3 is a front view;
FIG. 4 is a top view;
FIG. 5 is a bottom view;
FIG. 6 is a left side view;
FIG. 7 is a right side view;
FIG. 8 is a top view;
FIG. 9 is a front view; and,
FIG. 10 is a back view.

The broken line showing of an intravenous stand and line, drip monitoring balloon, and monitor attachment clip in FIGS. 8–10 is for illustrative purposes only, and forms no part of the claimed design.

1 Claim, 4 Drawing Sheets



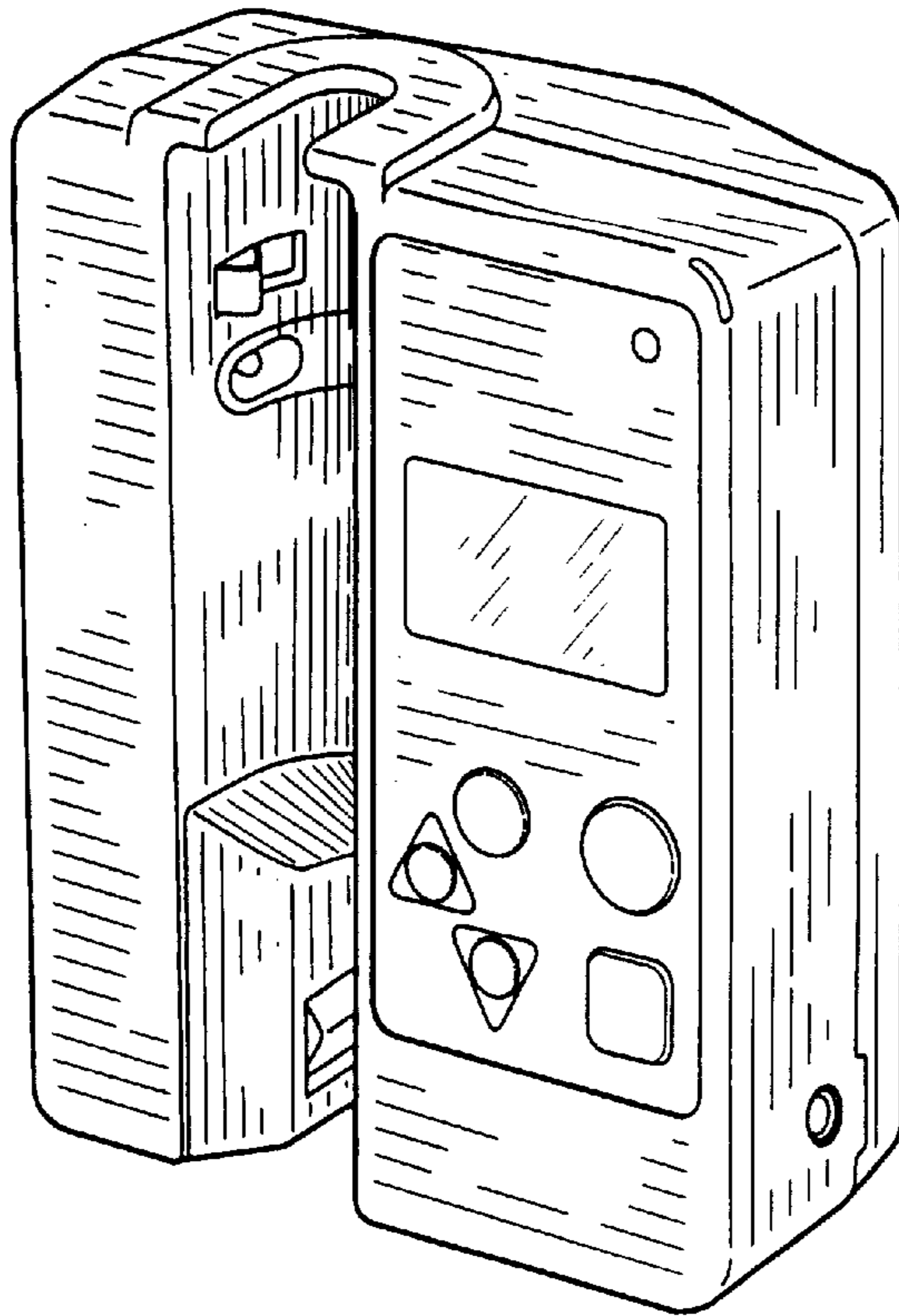


FIG 1

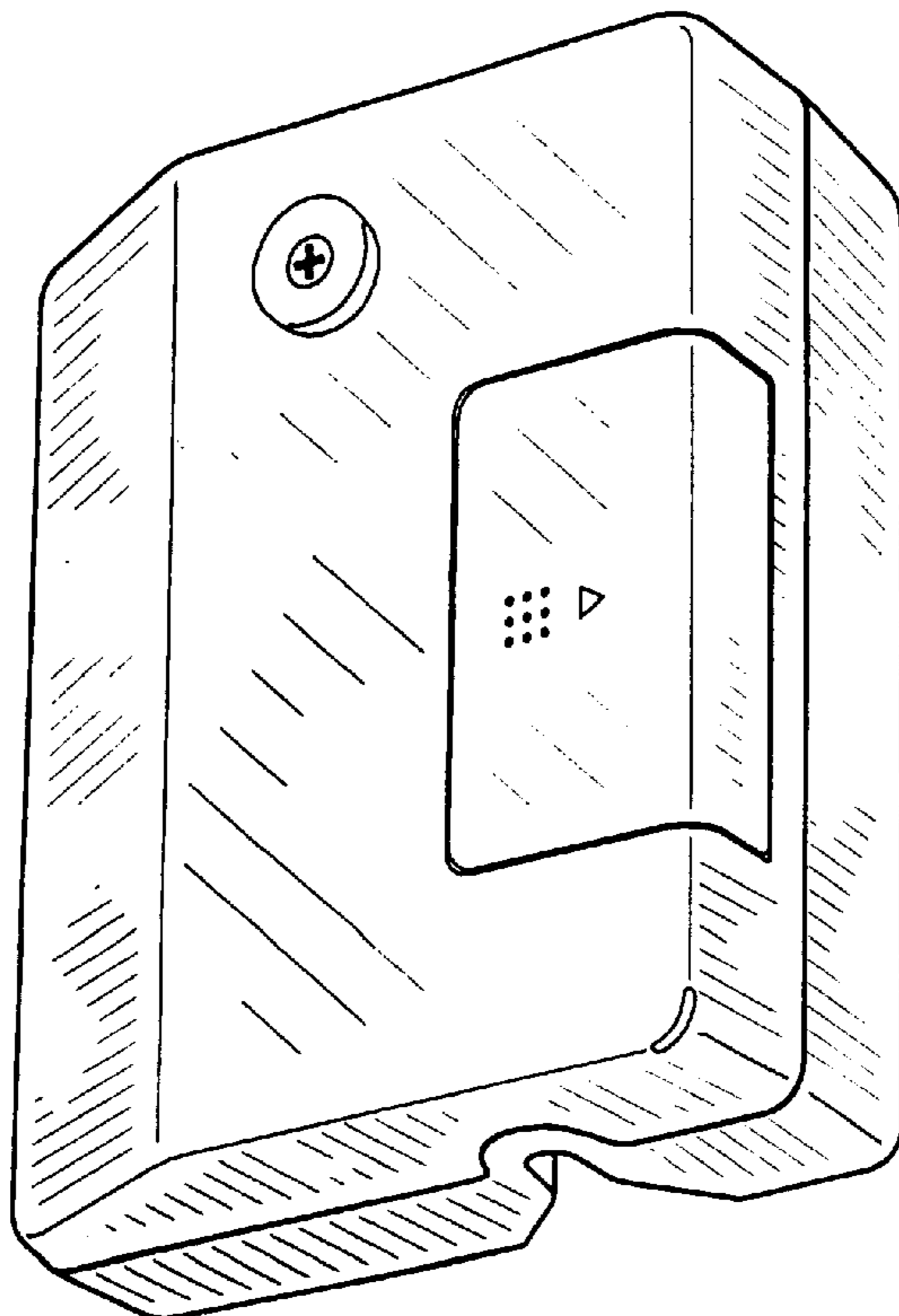


FIG 2

FIG 3

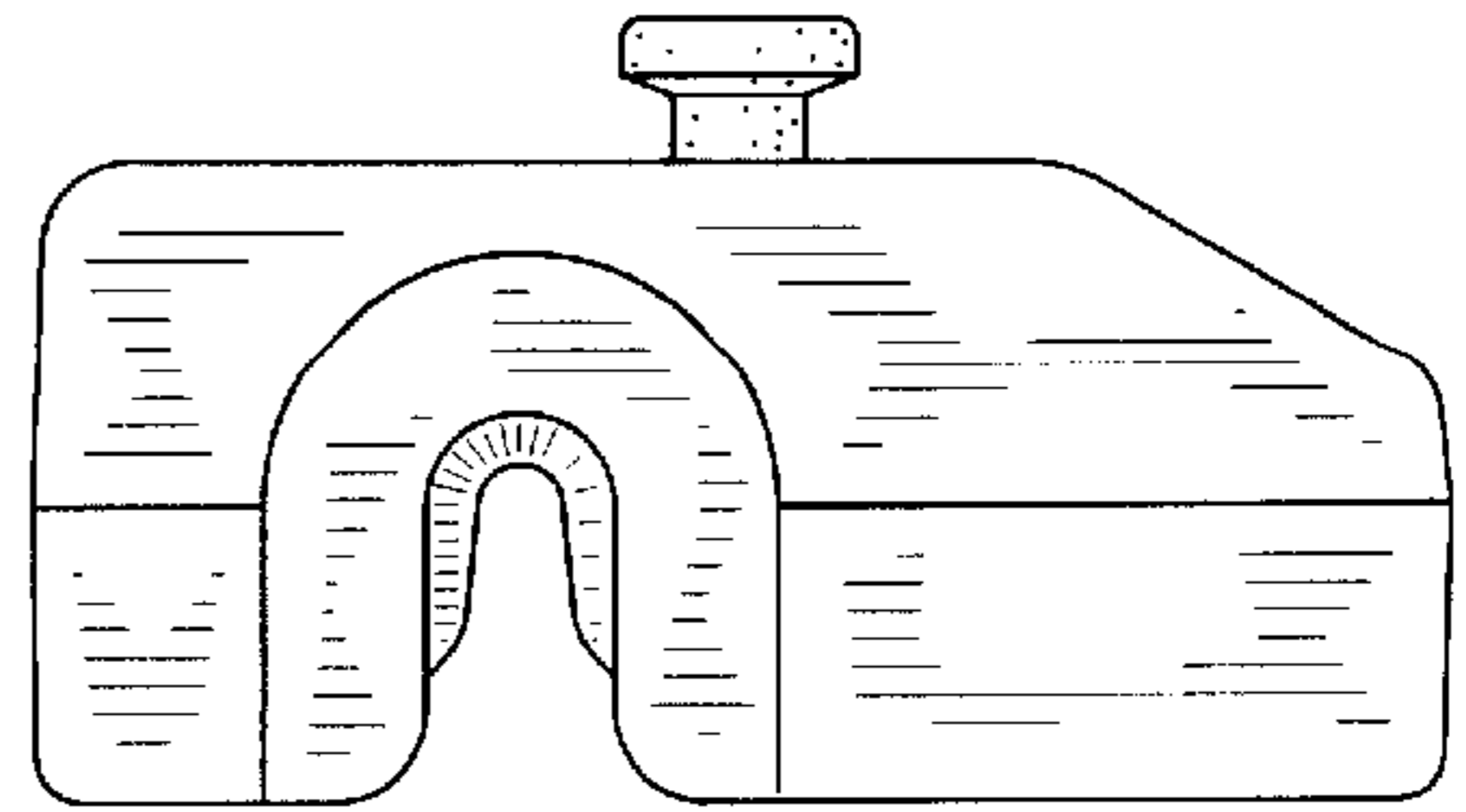
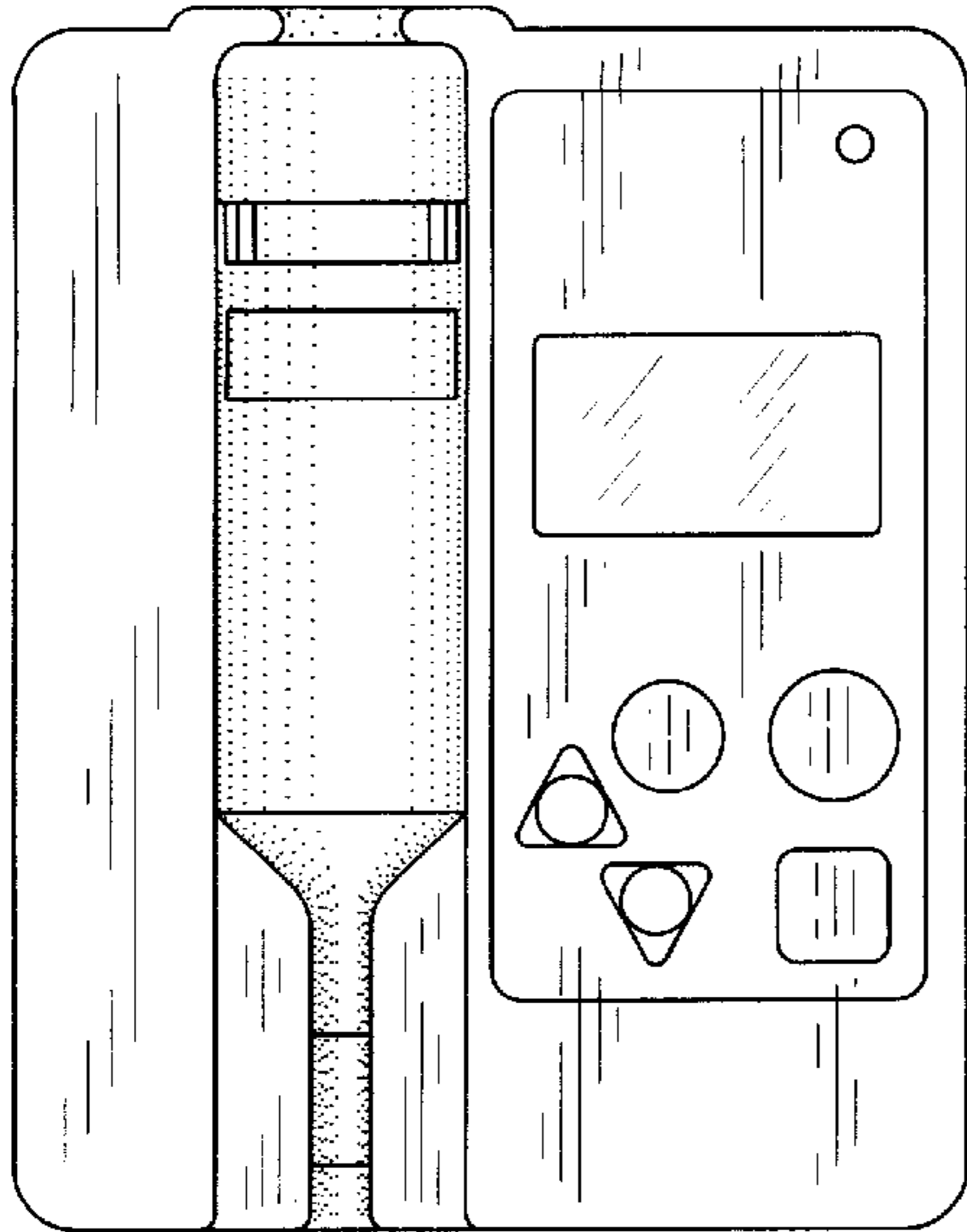


FIG 4

FIG 5

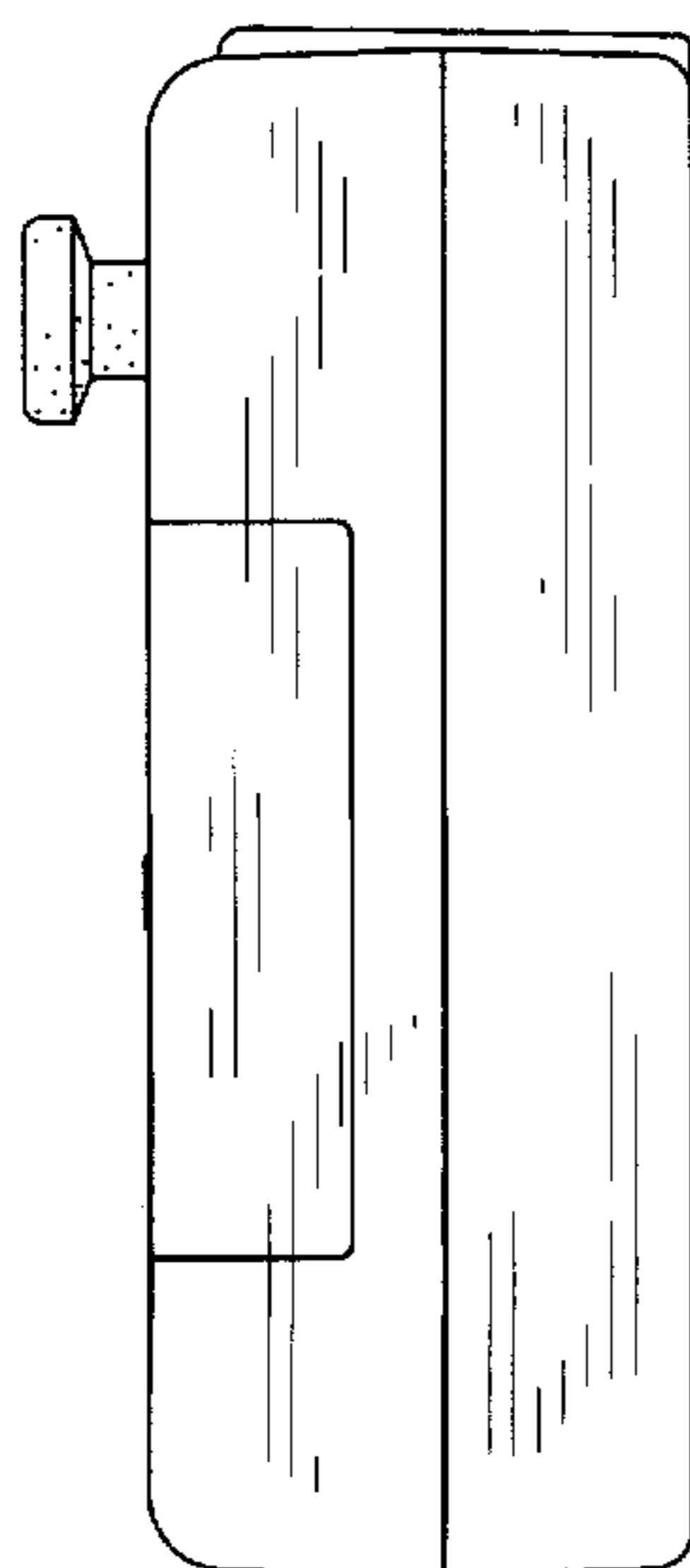
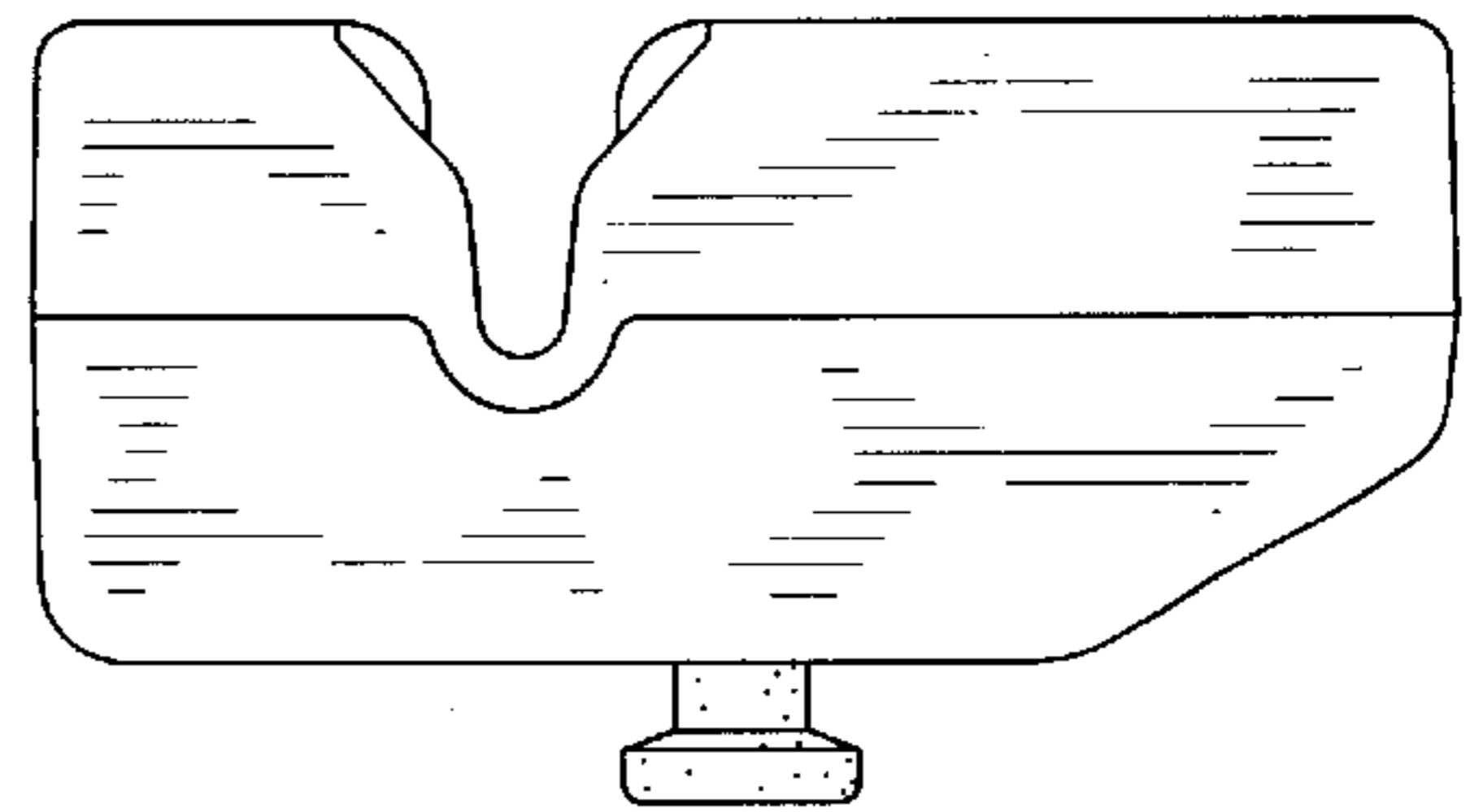


FIG 6

FIG 7

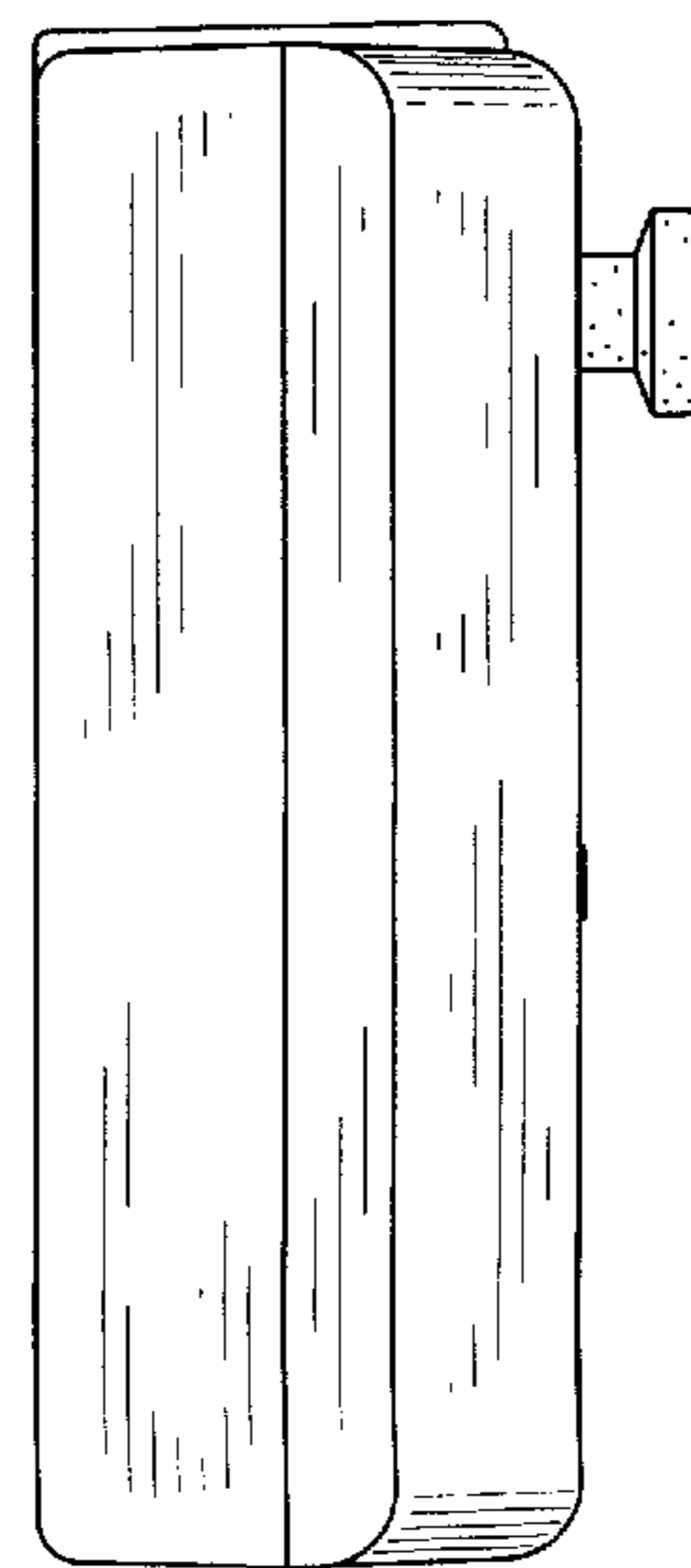


FIG 8

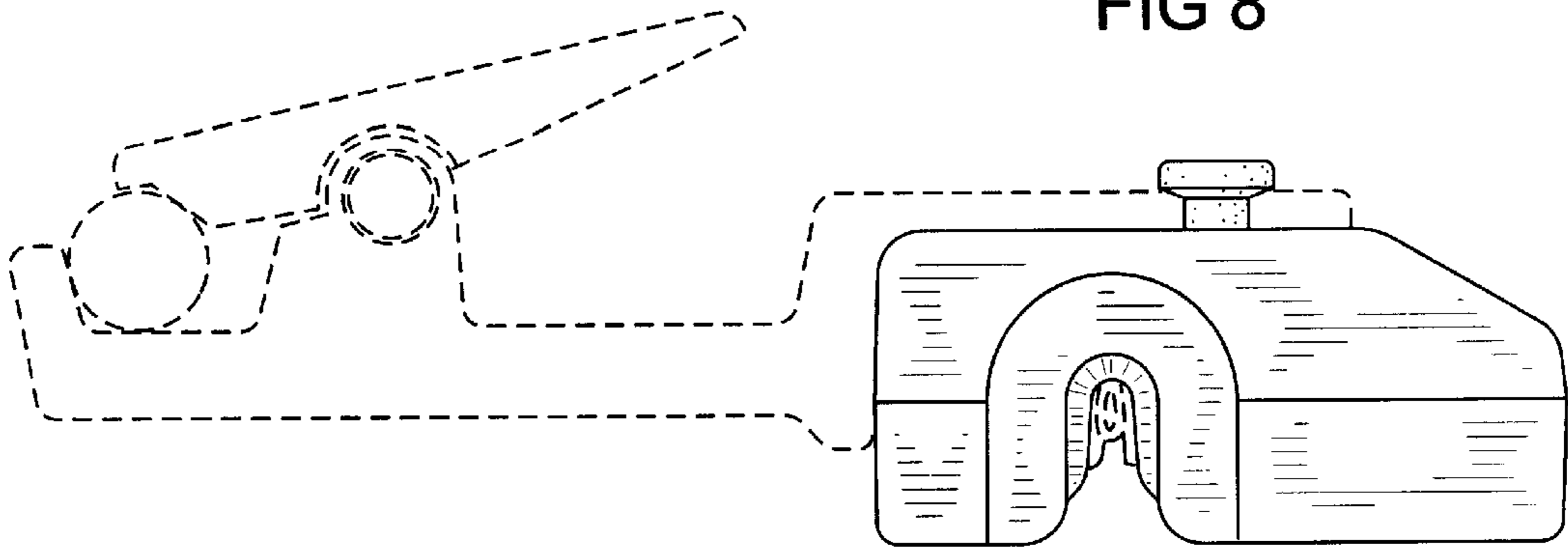


FIG 9

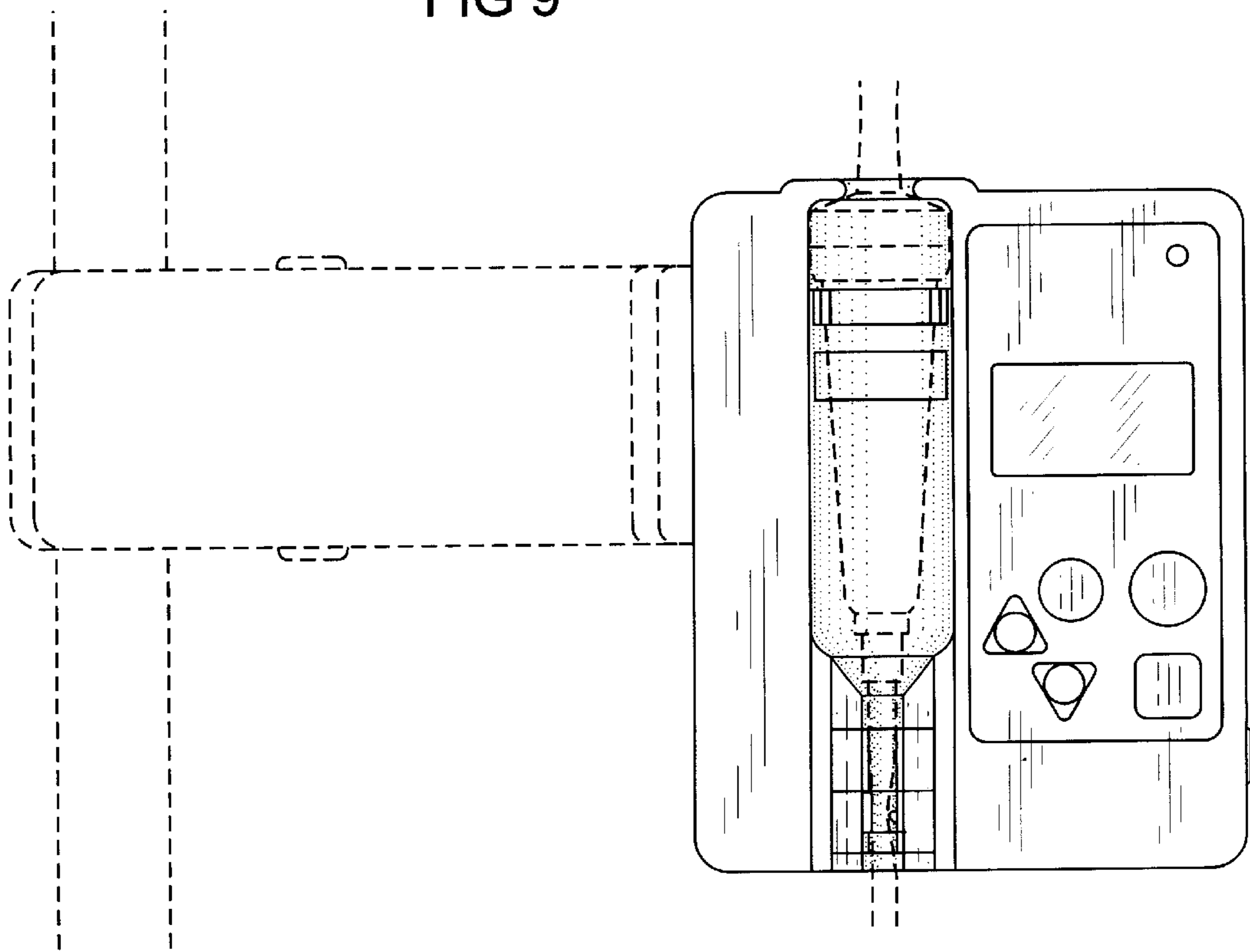


FIG 10

