



US00D416998S

# United States Patent [19]

Hodson et al.

[11] **Patent Number: Des. 416,998**

[45] **Date of Patent: \*\* Nov. 23, 1999**

[54] **INHALER**

[75] Inventors: **Darren Hodson**, Bridgnorth; **Anthony Mayne**, Colchester, both of United Kingdom; **Steven McGugan**, Lyngby, Denmark

[73] Assignee: **Astra Pharmaceuticals Ltd.**, Herts., United Kingdom

[\*\*] Term: **14 Years**

[21] Appl. No.: **29/086,985**

[22] Filed: **Apr. 24, 1998**

[30] **Foreign Application Priority Data**

Nov. 14, 1997 [SE] Sweden ..... 972473

[51] **LOC (6) Cl.** ..... **29-02**

[52] **U.S. Cl.** ..... **D24/110**

[58] **Field of Search** ..... D24/110; 128/200.23, 128/200.21, 200.14, 203.15, 200.25, 204.25

[56] **References Cited**

**U.S. PATENT DOCUMENTS**

D. 197,687 3/1964 Gurian ..... D24/110

D. 207,143 3/1967 Goodwin ..... D24/110  
D. 291,829 9/1987 Torongo et al. .... D24/110  
D. 334,057 3/1993 Byram ..... D24/110

*Primary Examiner*—Louis S. Zarfes  
*Assistant Examiner*—I Simmons  
*Attorney, Agent, or Firm*—Nixon & Vanderhye

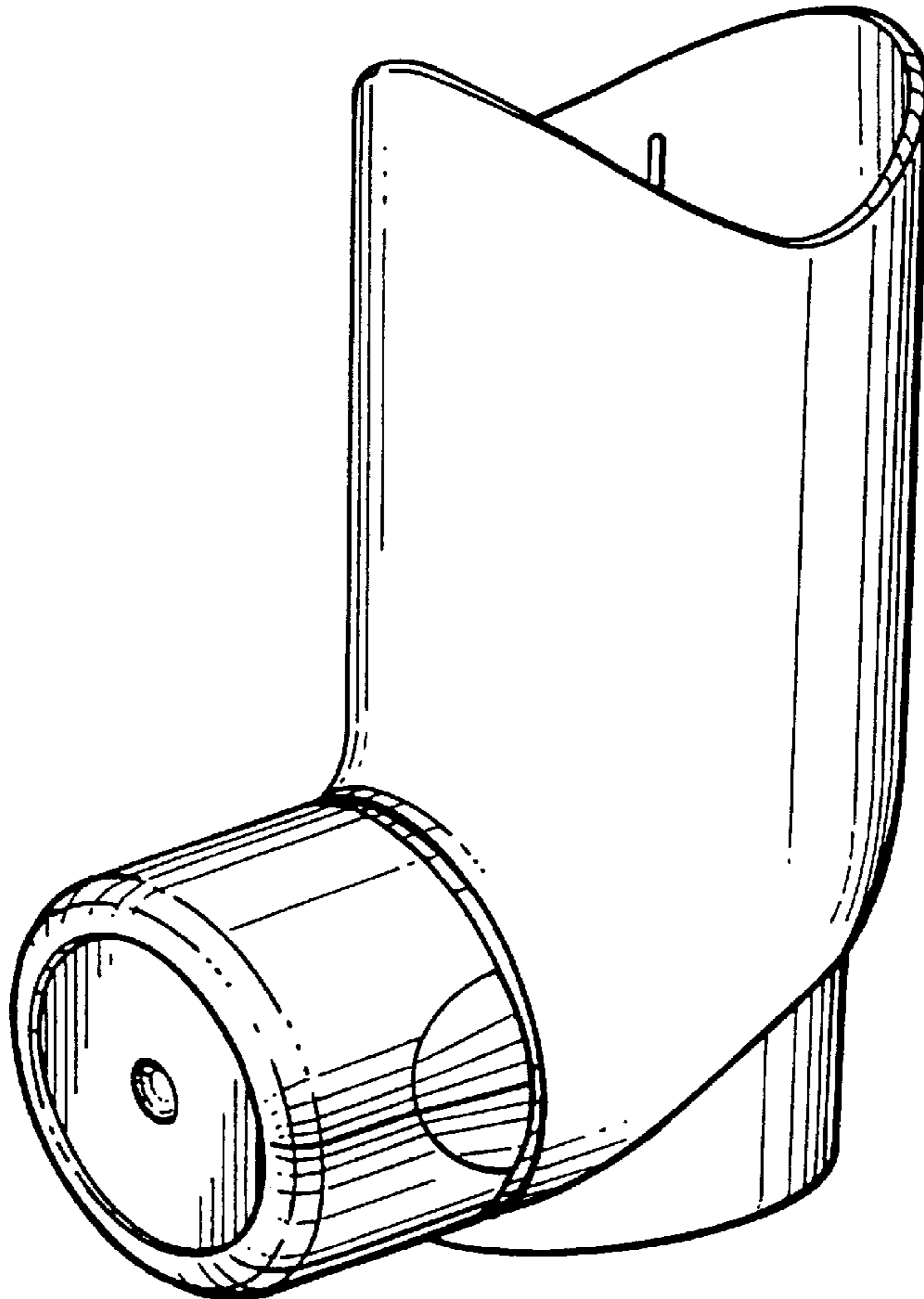
[57] **CLAIM**

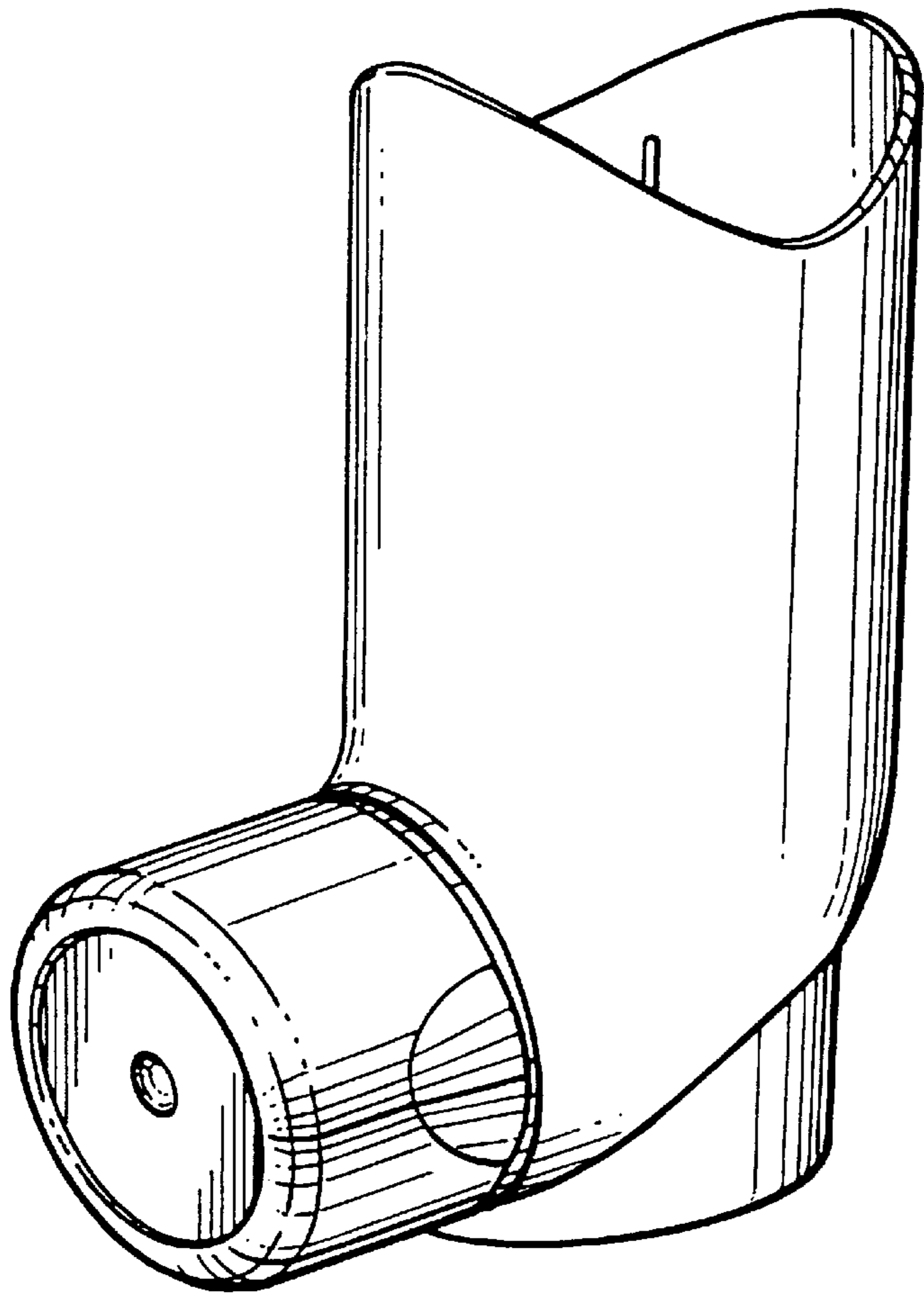
The ornamental design for an “inhaler,” as shown and described.

**DESCRIPTION**

FIG. 1 is a perspective view from the front and one side; FIG. 2 is a perspective view from the rear and one side; FIG. 3 is a front view; FIG. 4 is a rear view; FIG. 5 is a side view; FIG. 6 is a plan view; FIG. 7 is an underneath plan view; and, FIG. 8 is a perspective view from the front and one side with the cap removed.

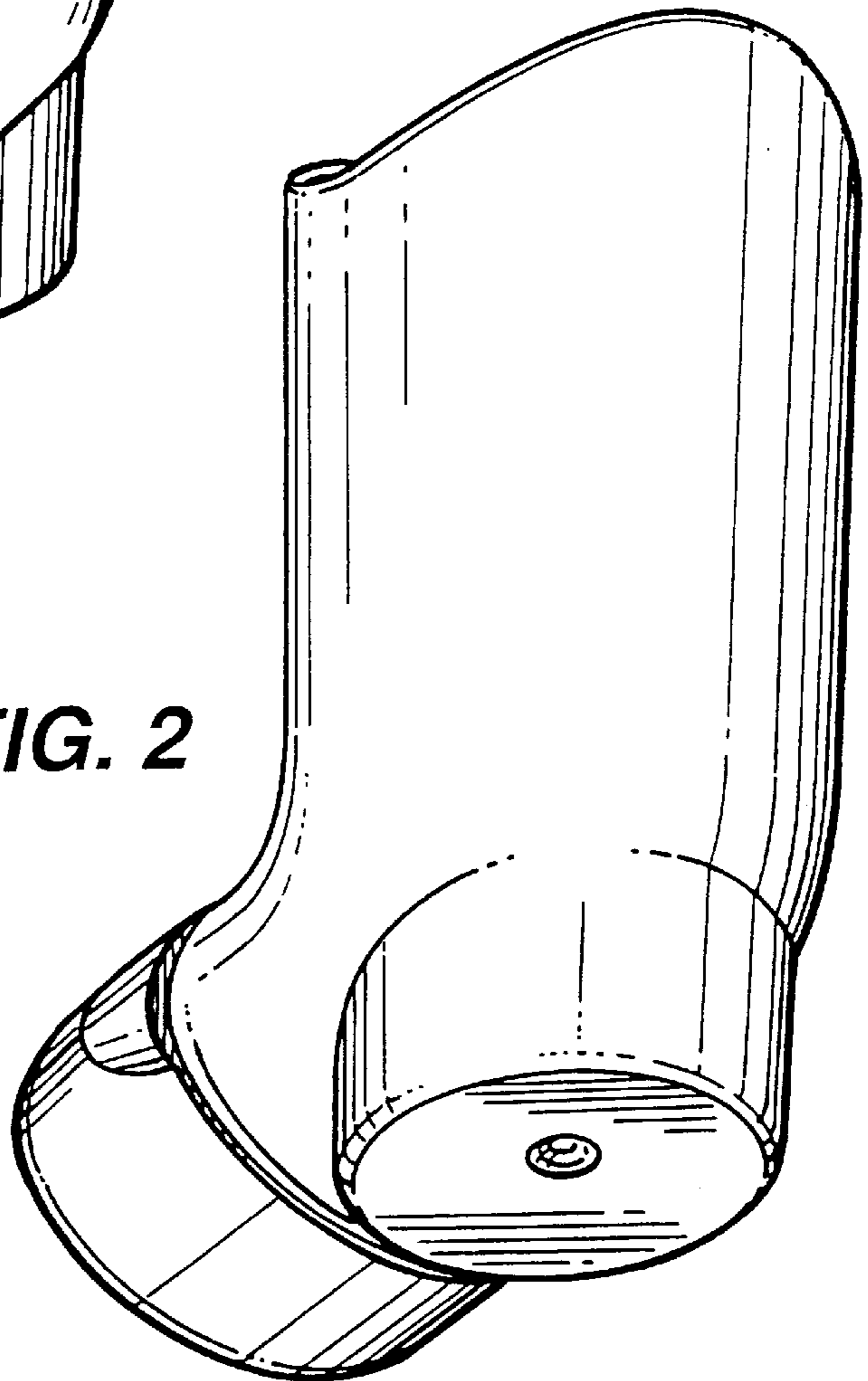
**1 Claim, 4 Drawing Sheets**



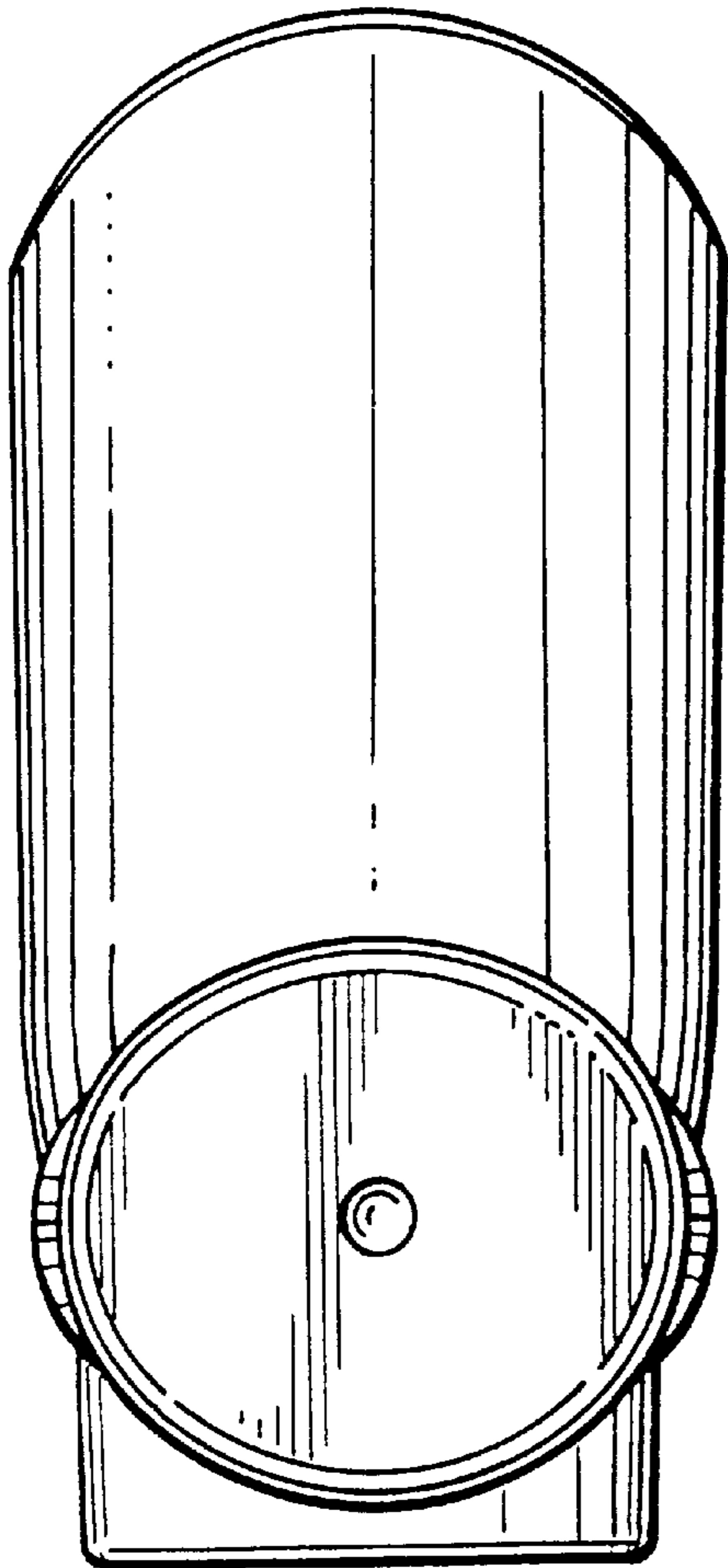


**FIG. 1**

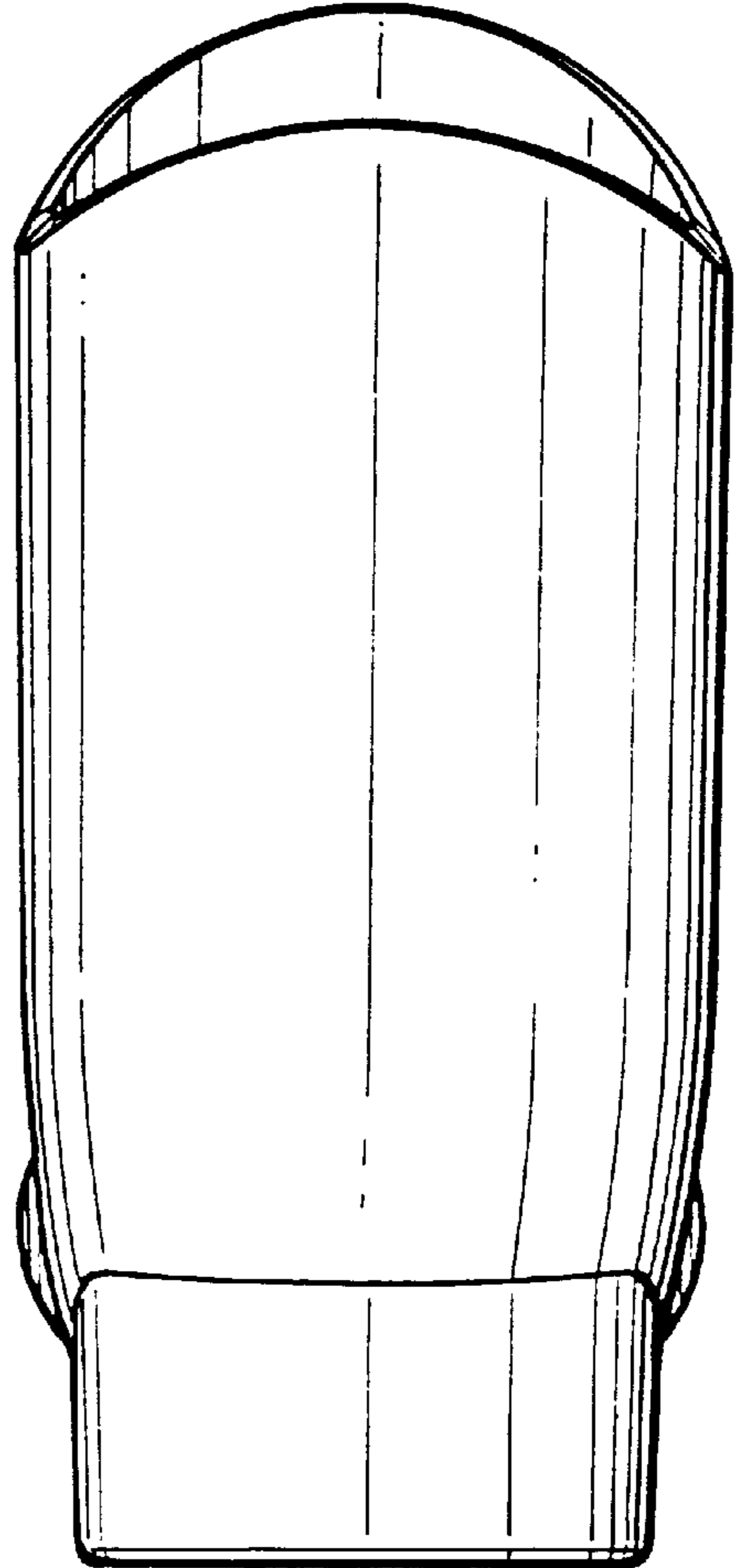
**FIG. 2**



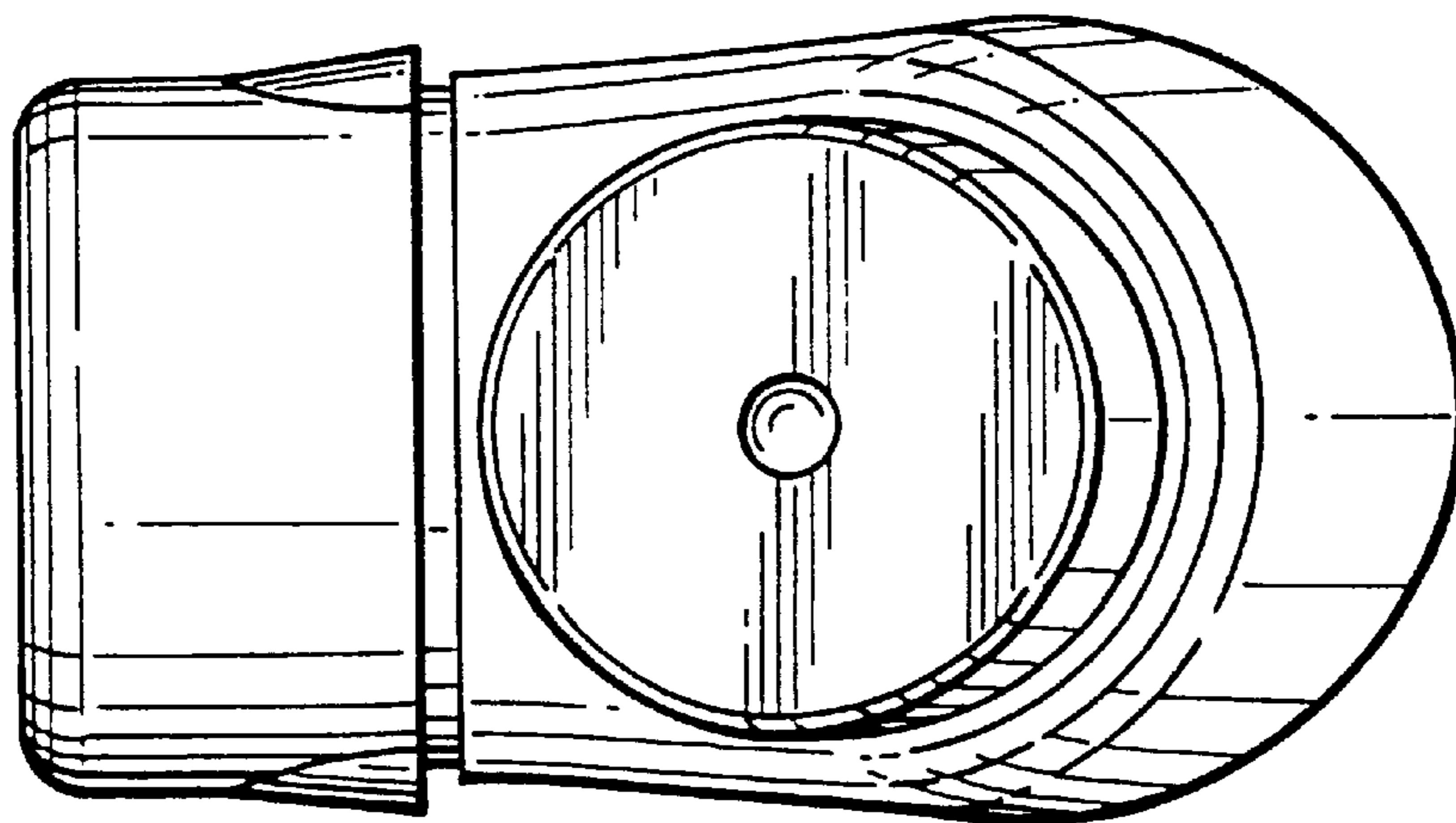
**FIG. 3**



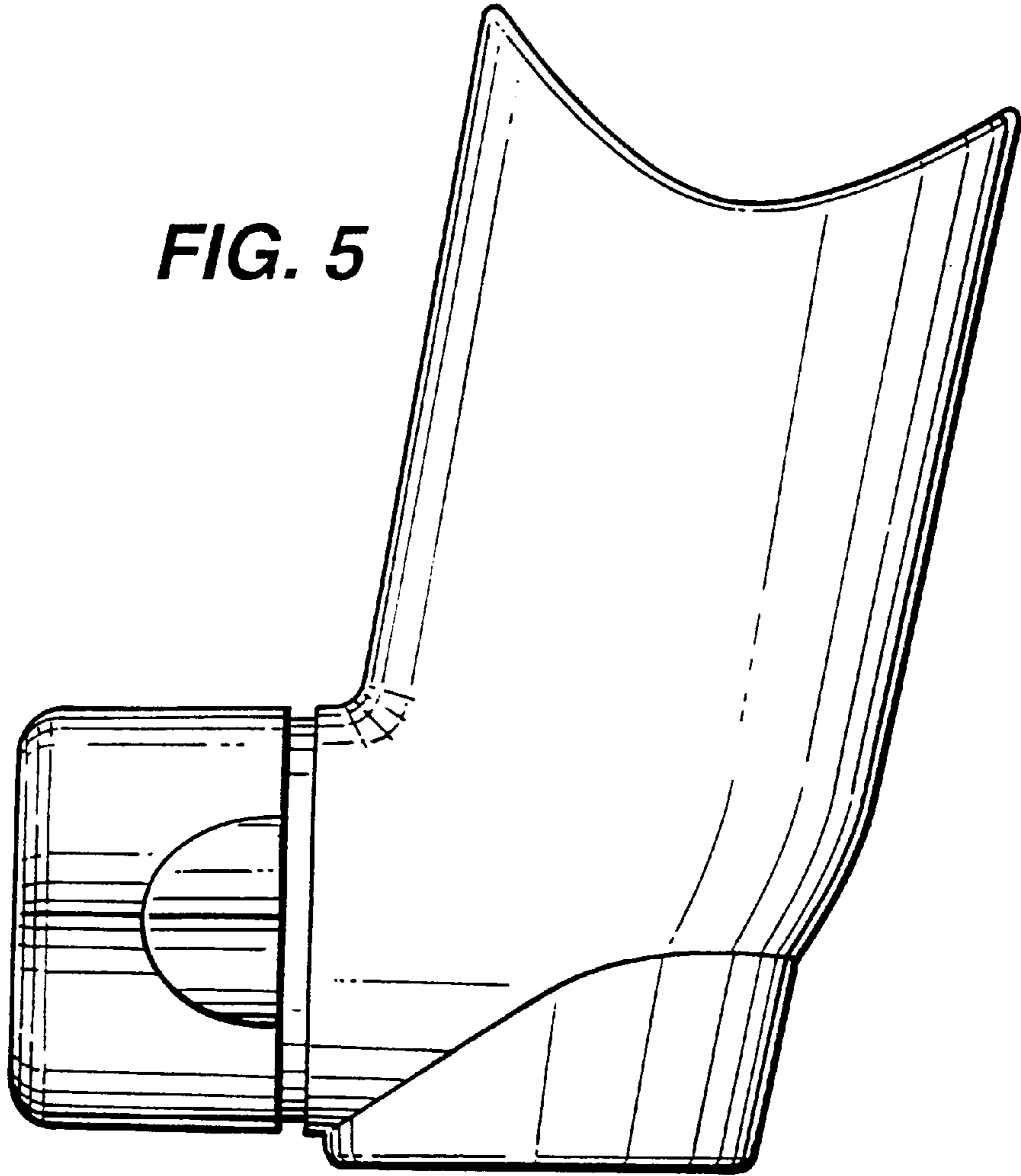
**FIG. 4**



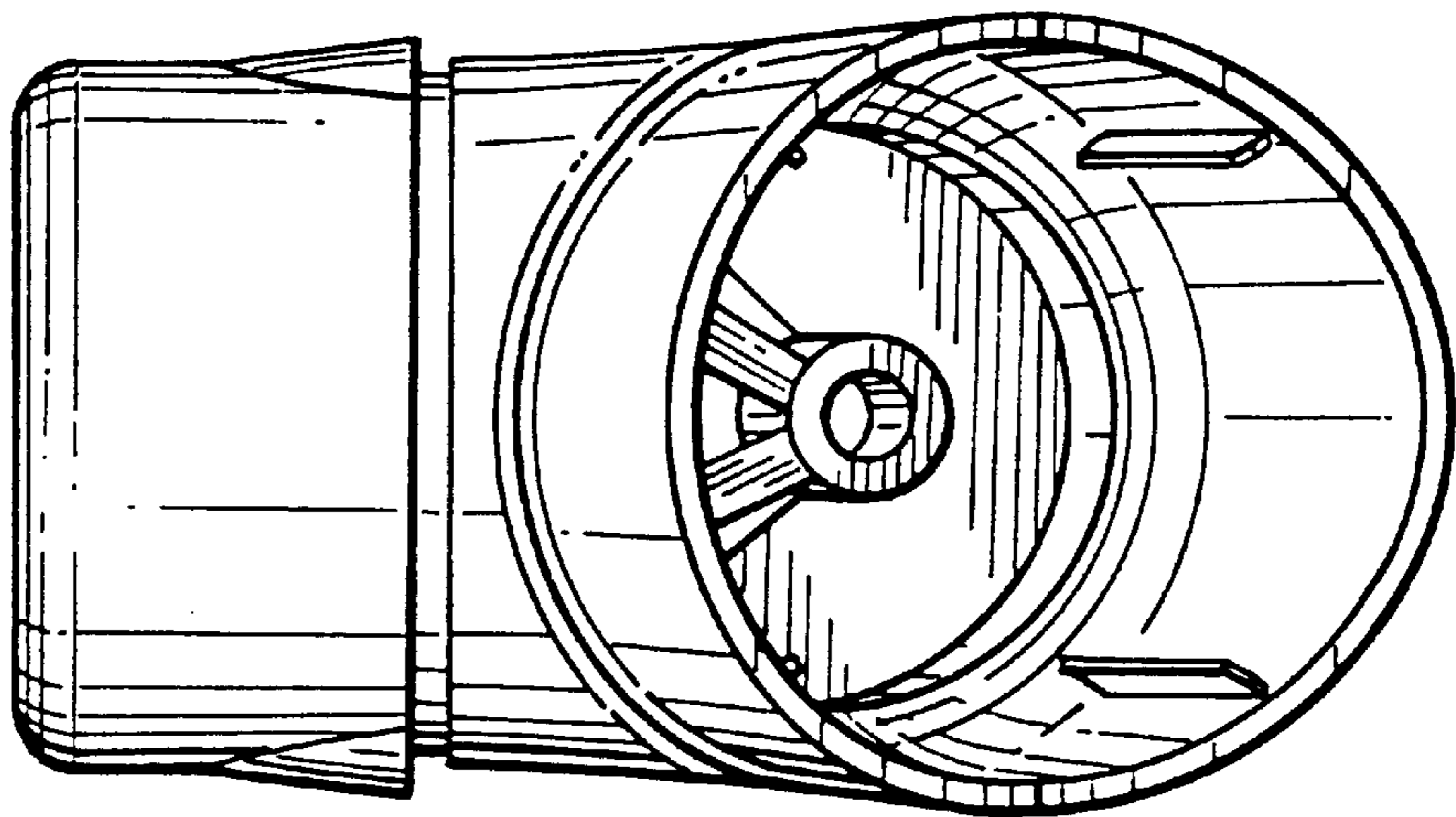
**FIG. 7**



**FIG. 5**



**FIG. 6**



**FIG. 8**

