



US00D416997S

United States Patent [19]

Prouty et al.

[11] **Patent Number: Des. 416,997**

[45] **Date of Patent: ** Nov. 23, 1999**

[54] **HEATING GRATE**

2,701,027 2/1955 Scoville 210/163

[76] Inventors: **Wesley C. Prouty**, 6000 N. Five Mile, Boise, Id. 83713; **Alfred E. McMillan**, 228 Young Ave., Nampa, Id. 83651

Primary Examiner—Mitchell Siegel
Attorney, Agent, or Firm—Robert L. Shaver; Frank J. Dykas

[**] Term: **14 Years**

[57] **CLAIM**

The ornamental design for a heating grate, as shown and described.

[21] Appl. No.: **29/085,360**

[22] Filed: **Mar. 20, 1998**

[51] **LOC (6) Cl.** **23-99**

[52] **U.S. Cl.** **D23/397**

[58] **Field of Search** D23/397-401;
D25/152-156; 119/28; 210/163, 460; 404/2,
4

DESCRIPTION

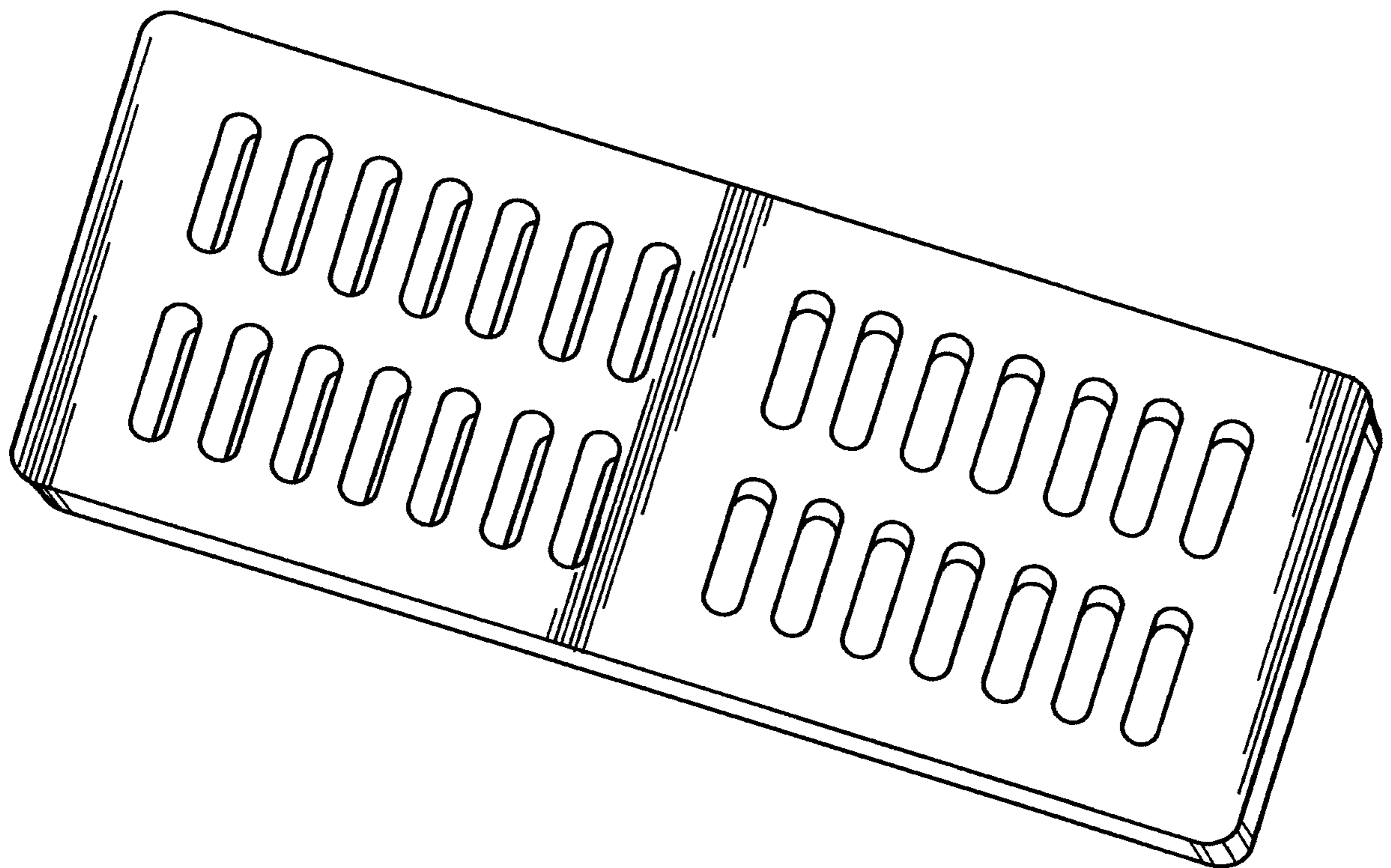
FIG. 1 is a perspective view of the heating grate;
FIG. 2 is a top plan view of the heating grate;
FIG. 3 is a front elevational view of the heating grate, the rear being identical;
FIG. 4 is a left side elevational view of the heating grate, the right side being identical;
FIG. 5 is a bottom plan view of the heating grate; and,
FIG. 6 is a cross sectional view of the heating grate taken on line 6—6 of FIG. 2.

[56] **References Cited**

U.S. PATENT DOCUMENTS

- D. 263,511 3/1982 Bartscher D25/156
- D. 339,415 9/1993 Kiras D23/397

1 Claim, 5 Drawing Sheets



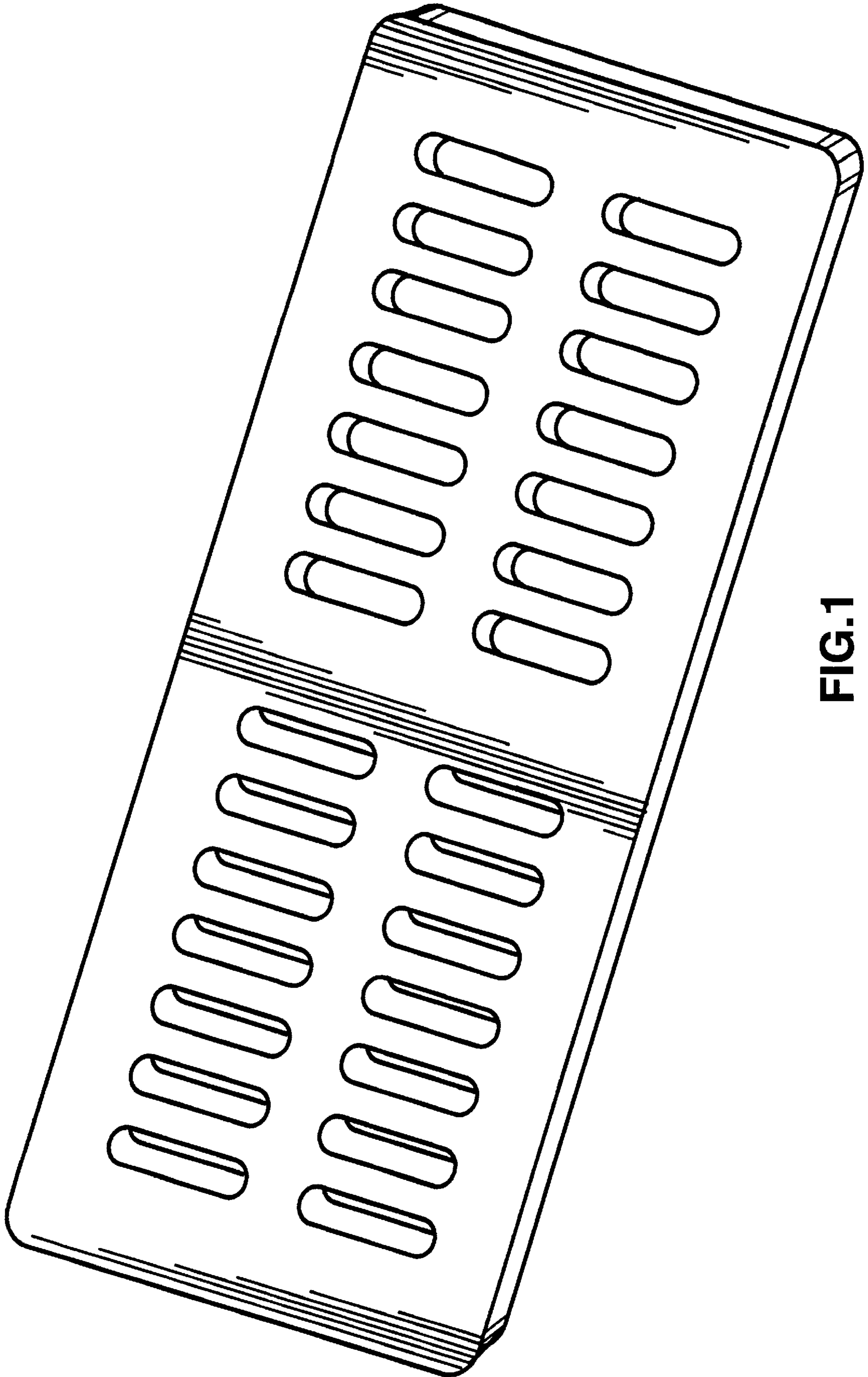


FIG.1

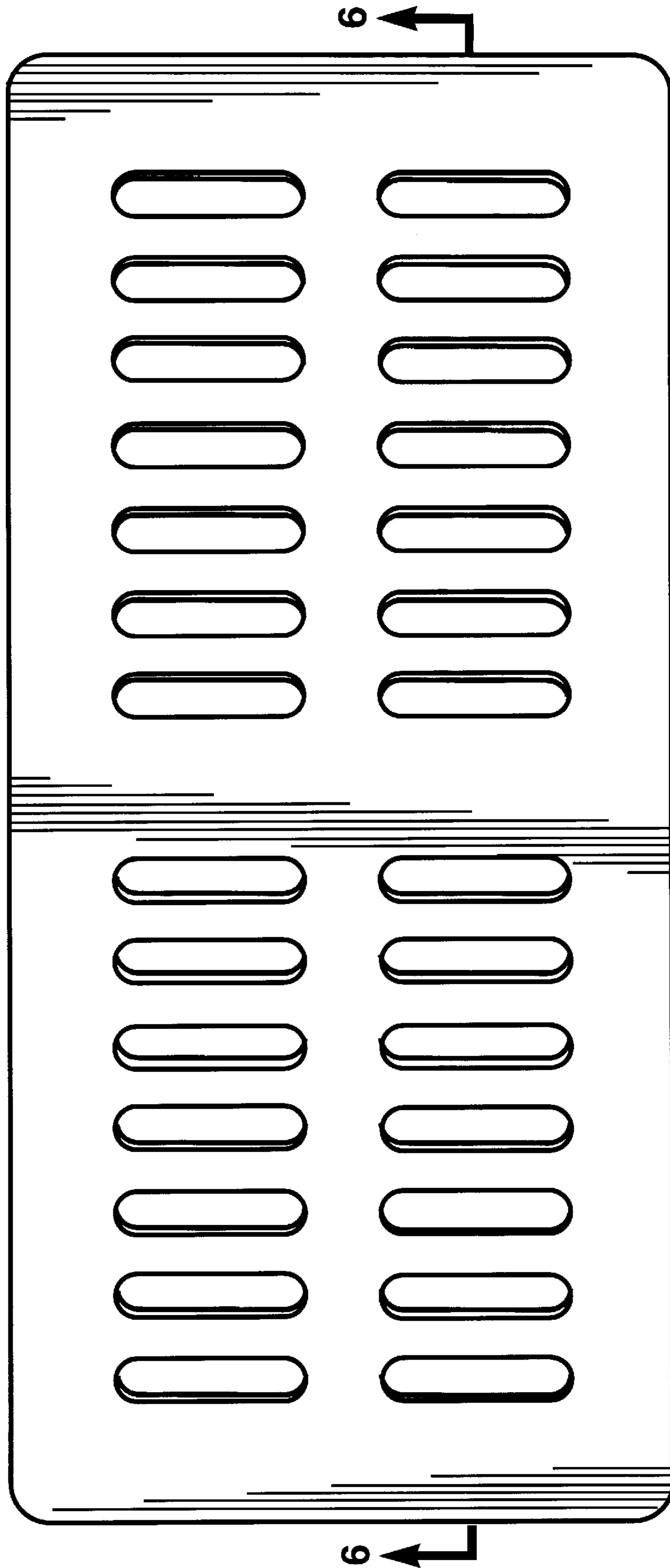


FIG. 2

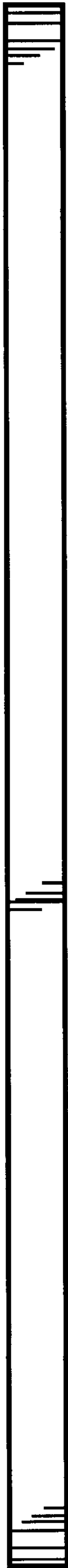


FIG. 3

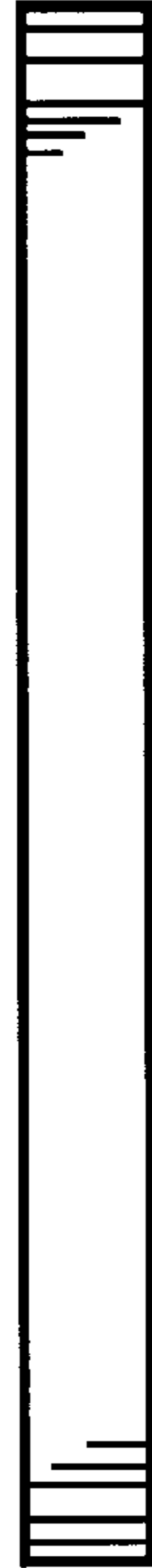


FIG. 4

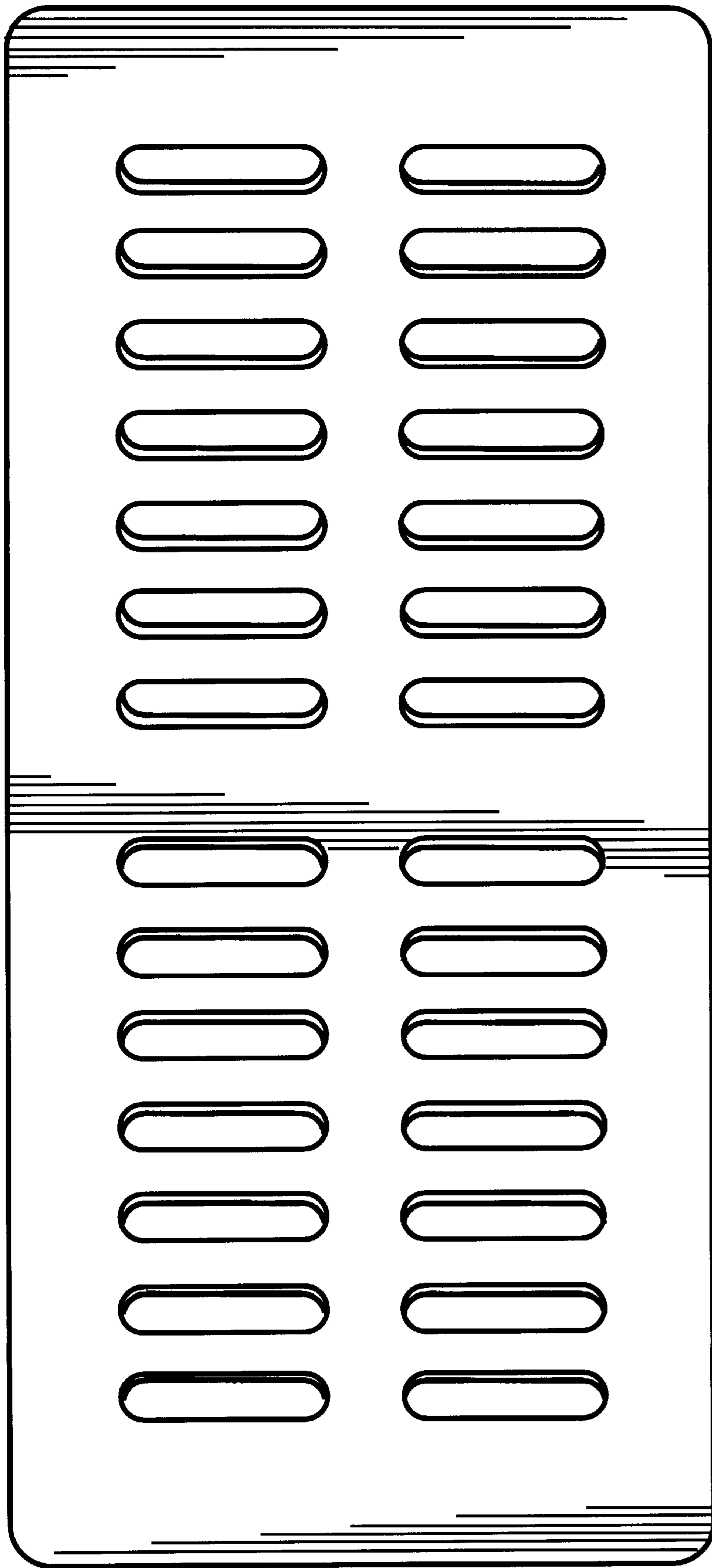


FIG. 5

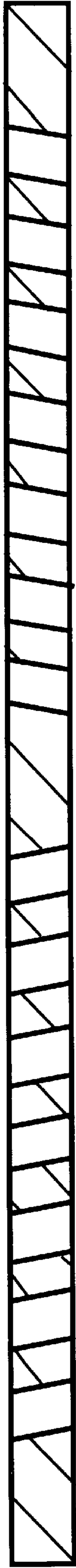


FIG. 6