



US00D416994S

# United States Patent [19]

Kensok et al.

[11] Patent Number: **Des. 416,994**

[45] Date of Patent: **\*\* Nov. 23, 1999**

[54] **WATER DISTRIBUTION TRAY FOR AN IN-DUCT HUMIDIFIER**

4,562,016 12/1985 Colliver ..... 261/106  
5,851,444 12/1998 Hansell, Jr. et al. .... 261/106

[75] Inventors: **Timothy J. Kensok**, Minnetonka;  
**Timothy J. Smith**, Minneapolis, both  
of Minn.

### OTHER PUBLICATIONS

Aprilaire Residential Humidifiers, Apr. 1, 1996.

*Primary Examiner*—Lisa Lichtenstein  
*Attorney, Agent, or Firm*—Edward L. Schwarz

[73] Assignee: **Honeywell Inc.**, Minneapolis, Minn.

[\*\*] Term: **14 Years**

### [57] CLAIM

The ornamental design for a water distribution tray for an in-duct humidifier, as shown and described.

[21] Appl. No.: **29/070,112**

[22] Filed: **May 5, 1997**

### DESCRIPTION

[51] **LOC (6) Cl.** ..... **23-04**

FIG. 1 is a top perspective view of a water distribution tray for an in-duct humidifier showing our new design.

[52] **U.S. Cl.** ..... **D23/358; D23/356**

FIG. 2 is a bottom perspective view thereof.

[58] **Field of Search** ..... **D23/356-363;**

**261/106, DIG. 44**

FIG. 3 is a top plan view thereof.

FIG. 4 is a bottom plan view thereof.

FIG. 5 is a side elevation view thereof, the opposite side being a mirror image of that shown; and,

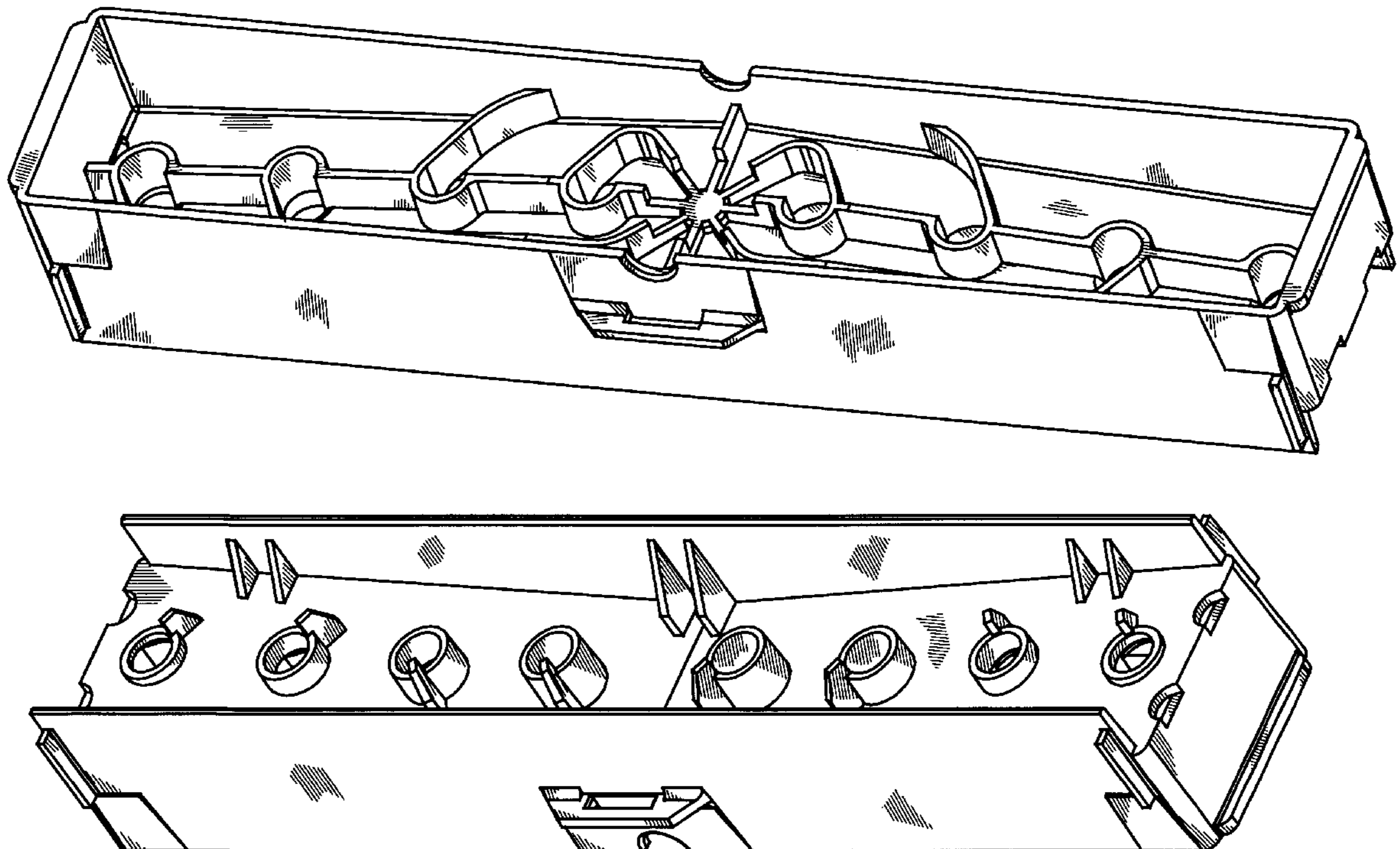
FIG. 6 is an end elevation view thereof, the opposite end being a mirror image of that shown.

### [56] References Cited

#### U.S. PATENT DOCUMENTS

2,947,452 8/1960 Frohmader et al. .... 261/106  
3,975,470 8/1976 Engel ..... 261/106  
4,125,576 11/1978 Kozinski ..... 261/DIG. 44  
4,158,679 6/1979 Yeagle ..... 261/106

**1 Claim, 4 Drawing Sheets**



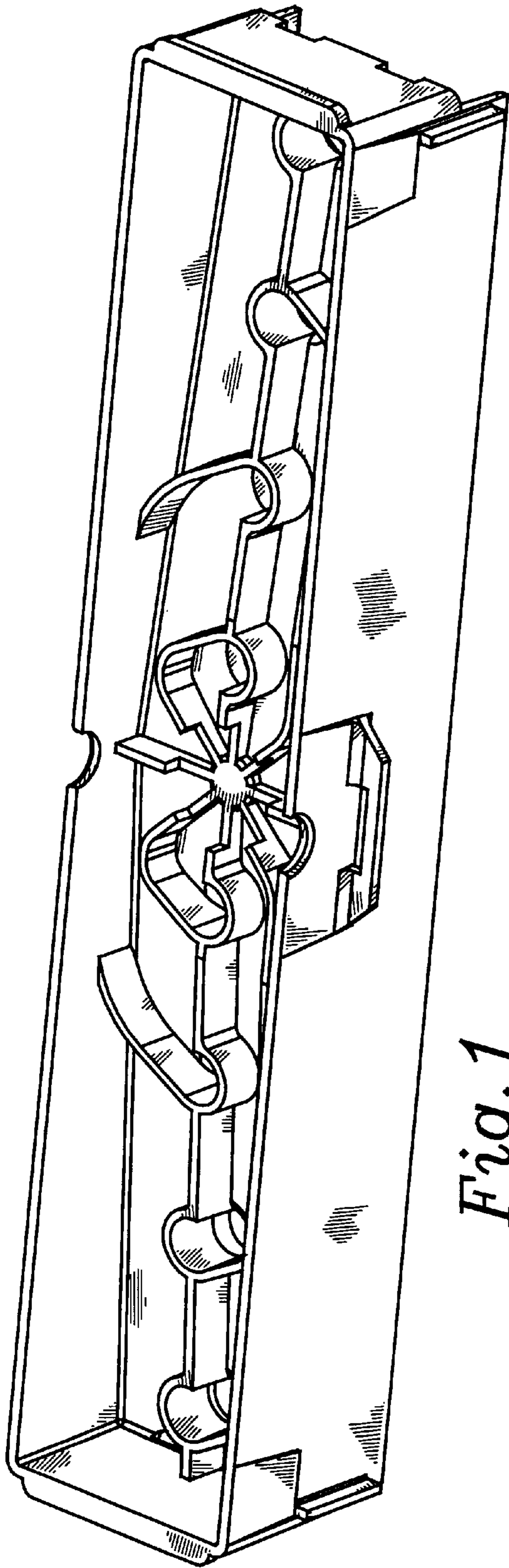


Fig. 1

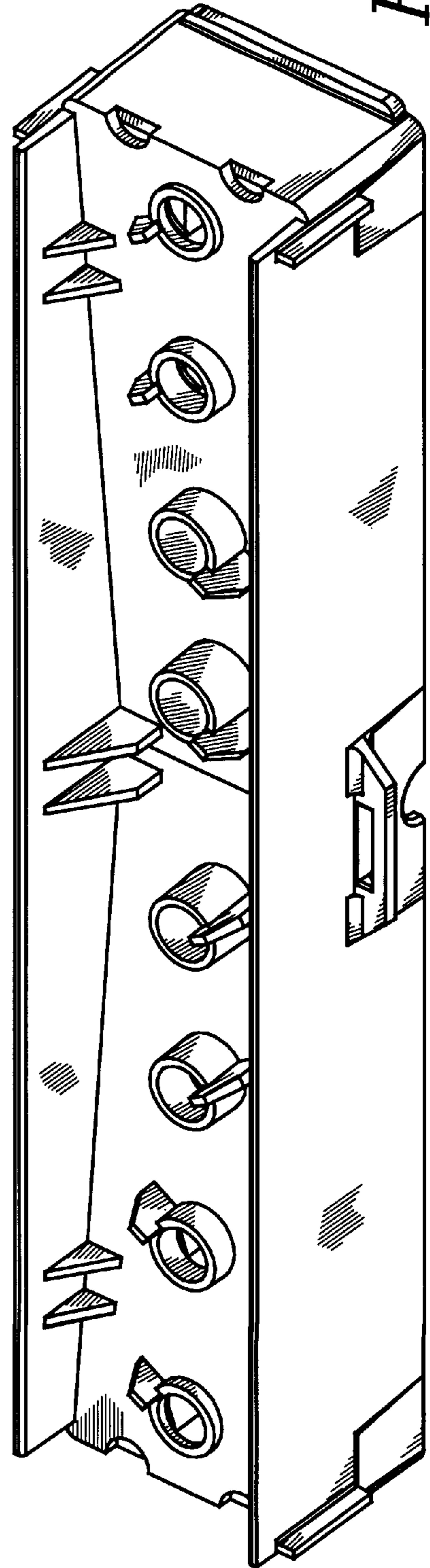
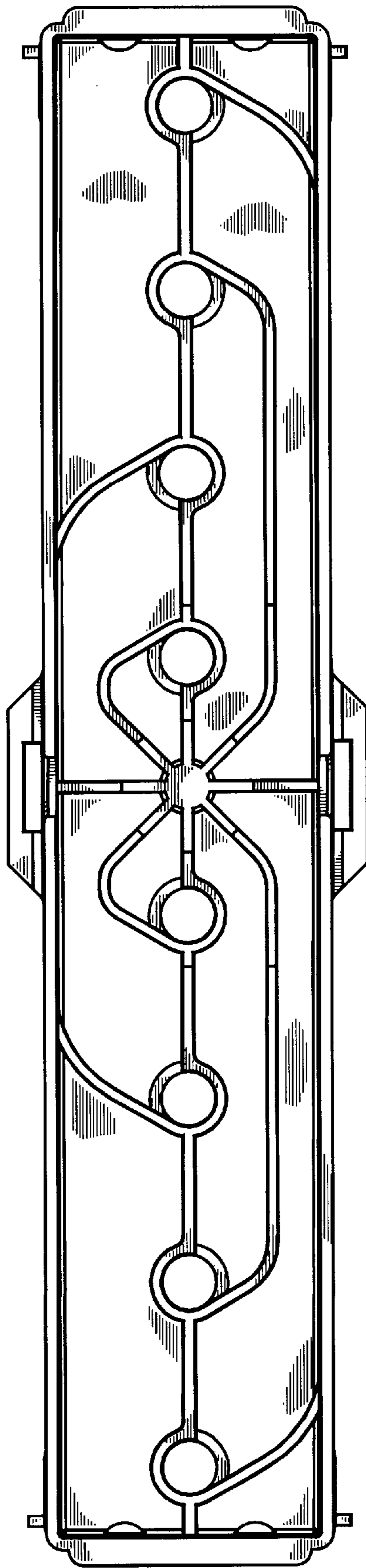
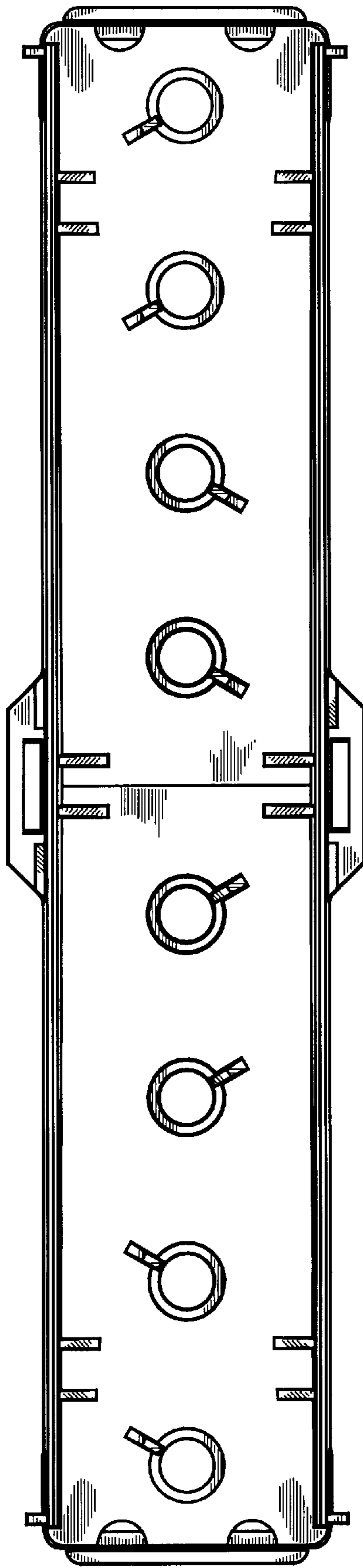


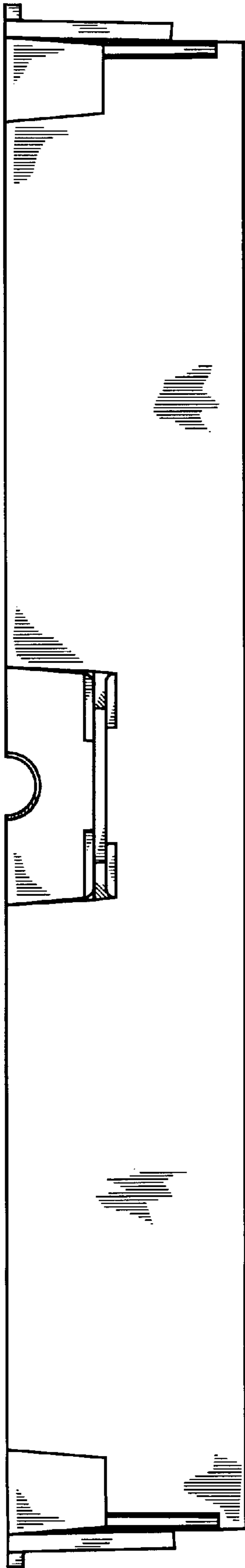
Fig. 2



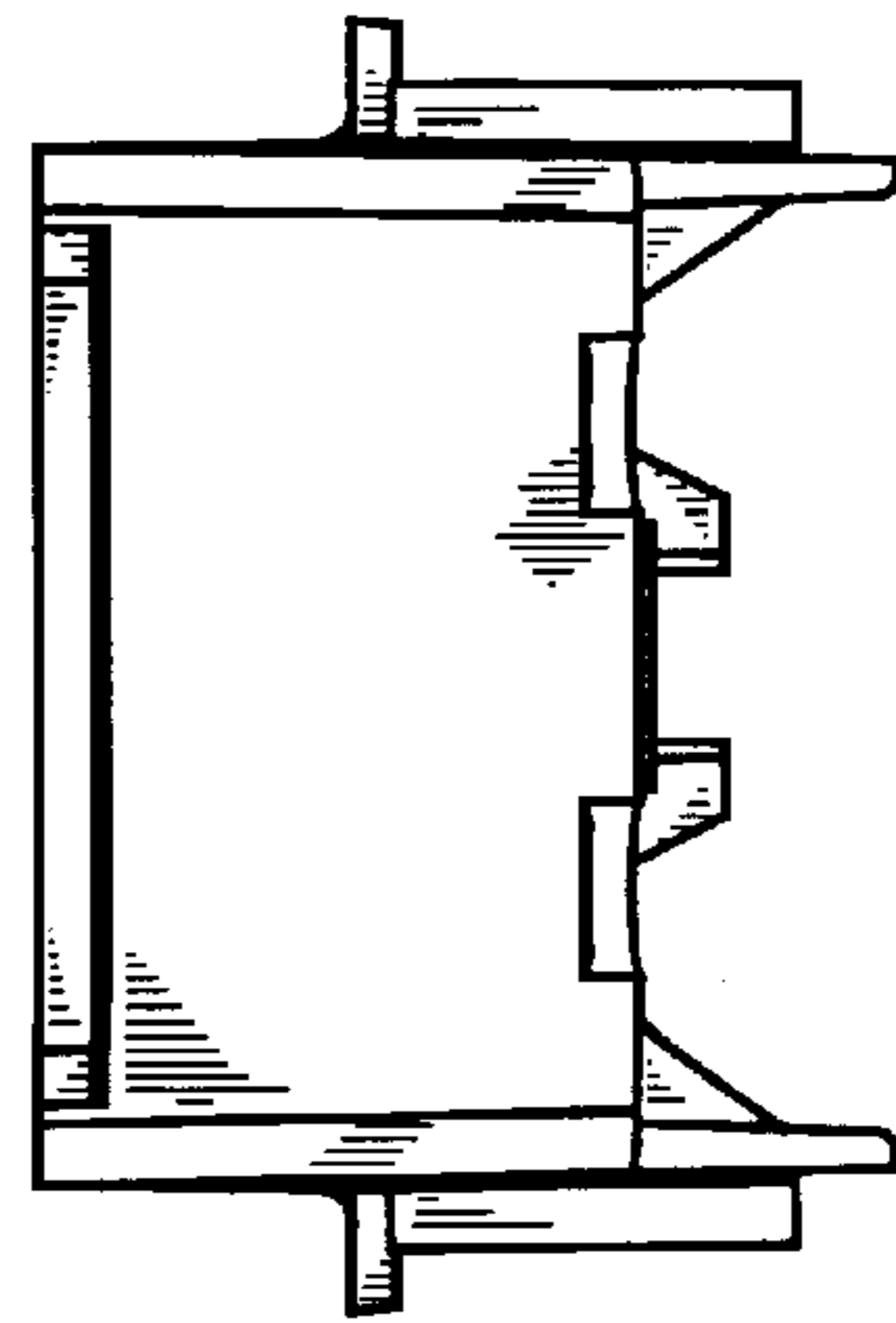
*Fig. 3*



*Fig. 4*



*Fig. 5*



*Fig. 6*