



US00D416991S

United States Patent [19] Caplow

[11] **Patent Number: Des. 416,991**

[45] **Date of Patent: ** Nov. 23, 1999**

[54] **LAVATORY**

[75] Inventor: **Bradley R. Caplow**, Sherman Oaks, Calif.

[73] Assignee: **Kallista, Inc.**, Kohler, Wis.

[**] Term: **14 Years**

[21] Appl. No.: **29/101,958**

[22] Filed: **Mar. 15, 1999**

[51] **LOC (6) Cl.** **23-02**

[52] **U.S. Cl.** **D23/284**

[58] **Field of Search** D23/284-293.1,
D23/303-311; 4/619, 625, 637, 638, 661,
635, 636, 639-650

[56] **References Cited**

U.S. PATENT DOCUMENTS

D. 228,500	10/1973	Ritzenthaler	D23/293.1
D. 234,199	1/1975	Stoires, Jr.	D23/293.1
D. 337,376	7/1993	Ragonot	D23/284
D. 351,460	10/1994	Kohler, Jr. et al.	D23/284
D. 368,959	4/1996	Kaiser	D23/293.1
D. 385,957	11/1997	Garza	D23/284
D. 387,418	12/1997	Garza	D23/284

OTHER PUBLICATIONS

1997 Kohler catalog ad, p. 14.37, showing a "Man's Lav" lavatory.

1997 Kohler catalog ad, p. 14.15, showing a "Le Gran" lavatory.

1998 Kohler catalog ad, p. 14.4, showing a "Bateau" lavatory.

1990 Kohler catalog ad, p. 11-3, showing a "Northern Italian" vanity.

Primary Examiner—Eric Watterson
Attorney, Agent, or Firm—Quarles & Brady LLP

[57] **CLAIM**

The ornamental design for a lavatory, as shown and described.

DESCRIPTION

FIG. 1 is a left, top, front perspective view of a lavatory embodying my new design;

FIG. 2 is a top plan view thereof;

FIG. 3 is a front elevational view thereof, the rear elevational view being identical to the front side shown;

FIG. 4 is a left side elevational view thereof, the right side elevational view being identical to the left side shown;

FIG. 5 is a bottom plan view thereof;

FIG. 6 is a cross-sectional view thereof taken along line 6-6 of FIG. 2; and,

FIG. 7 is a cross-sectional view thereof taken along line 6-6 of FIG. 2.

1 Claim, 2 Drawing Sheets

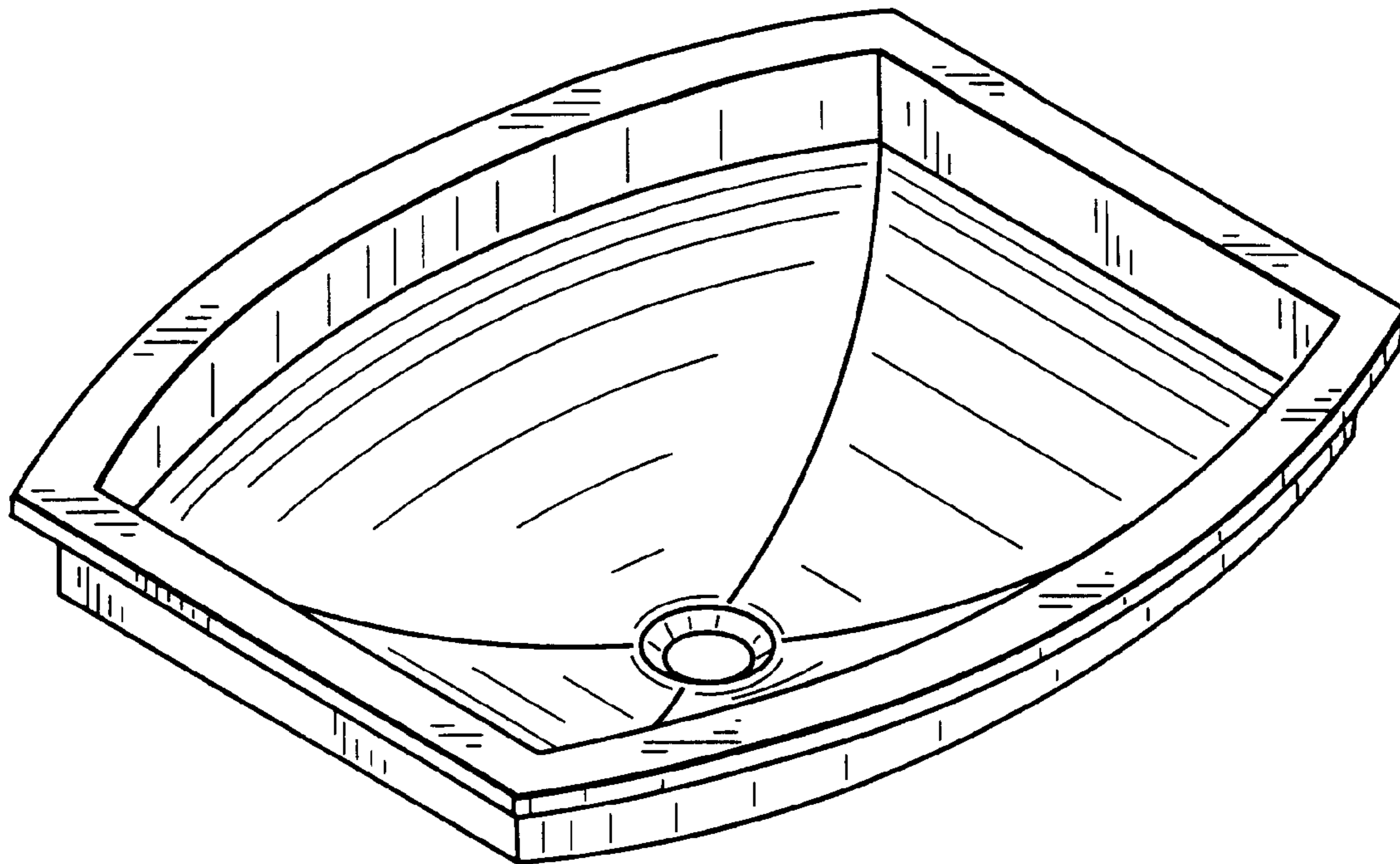


FIG. 1

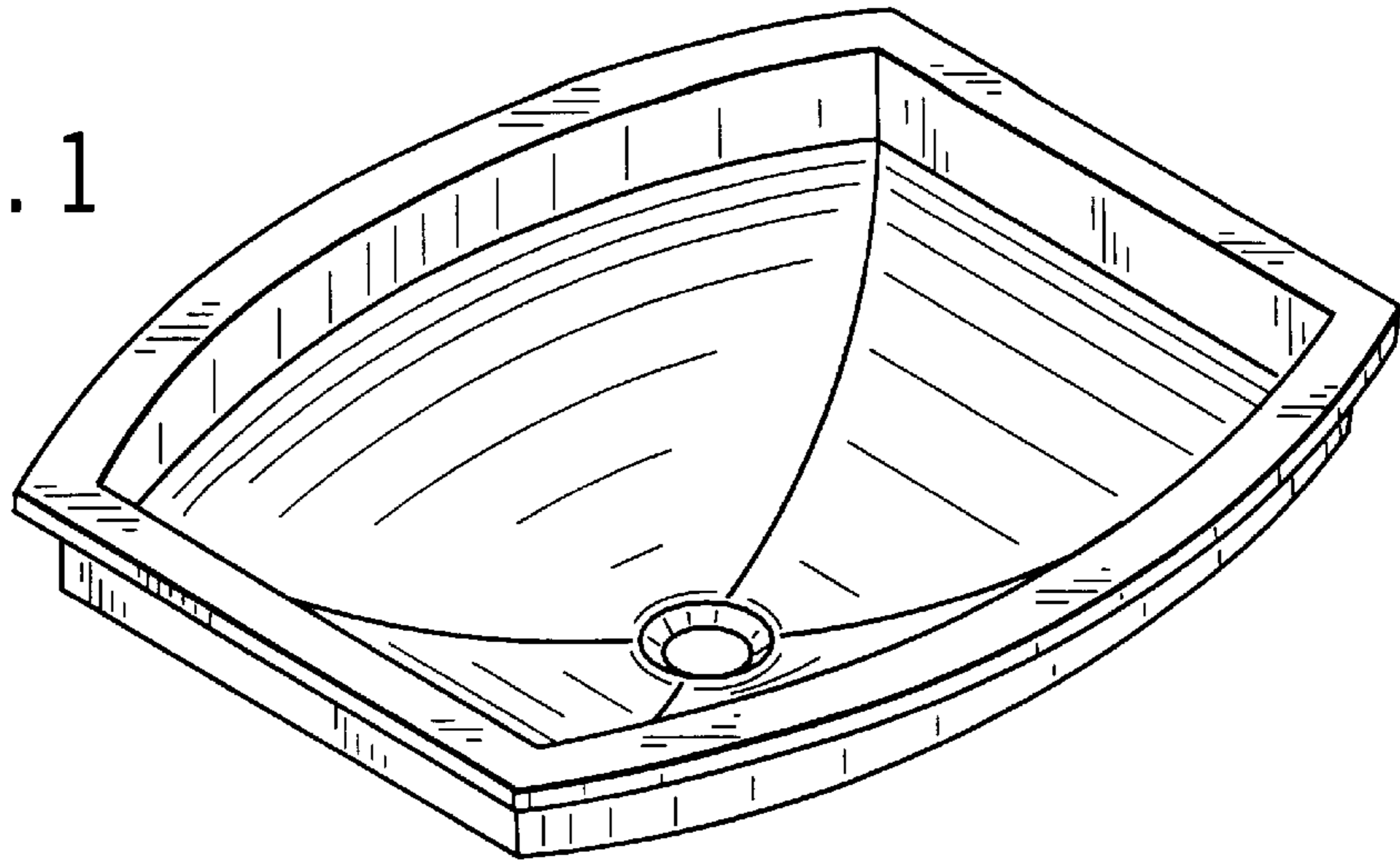


FIG. 2

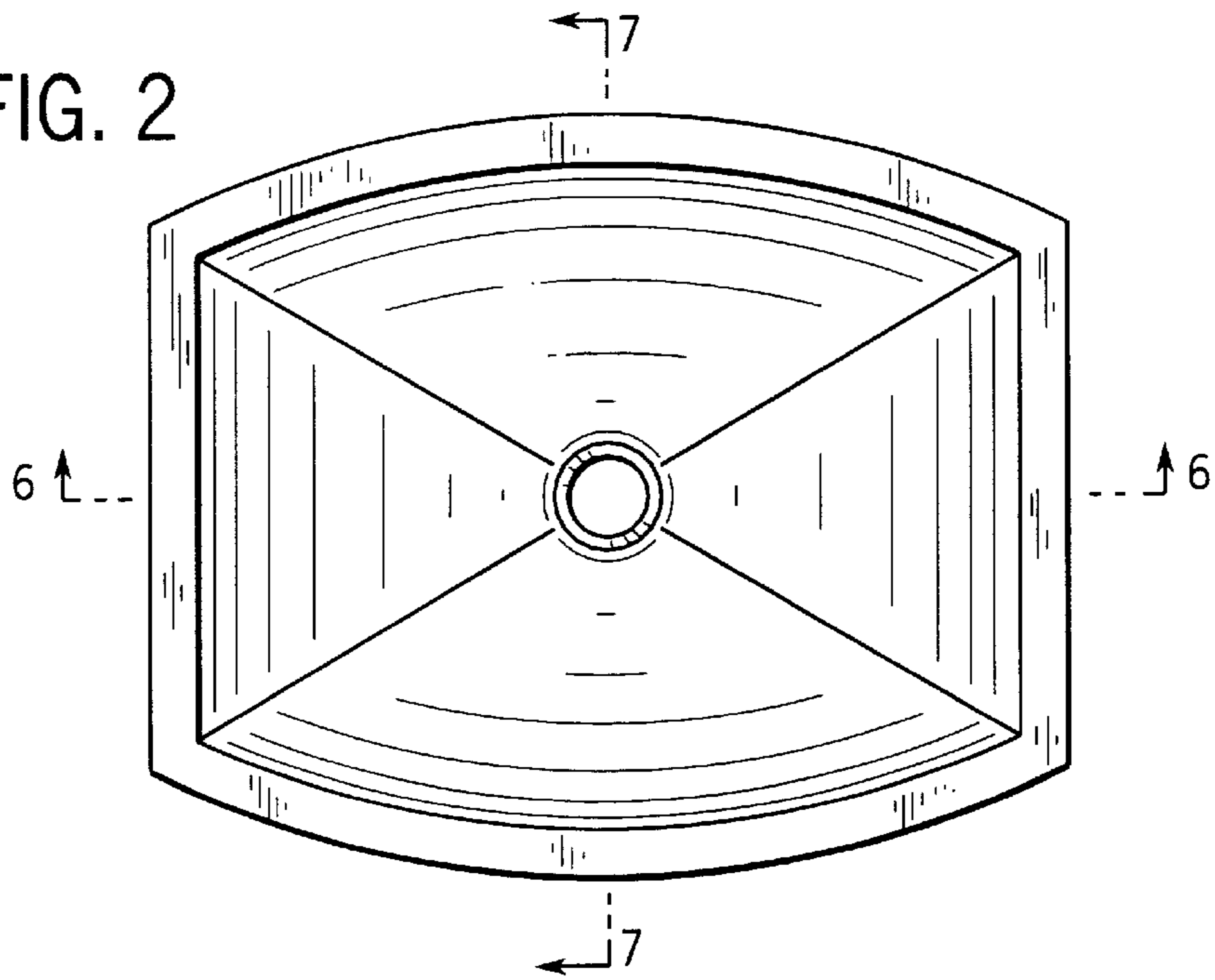


FIG. 3

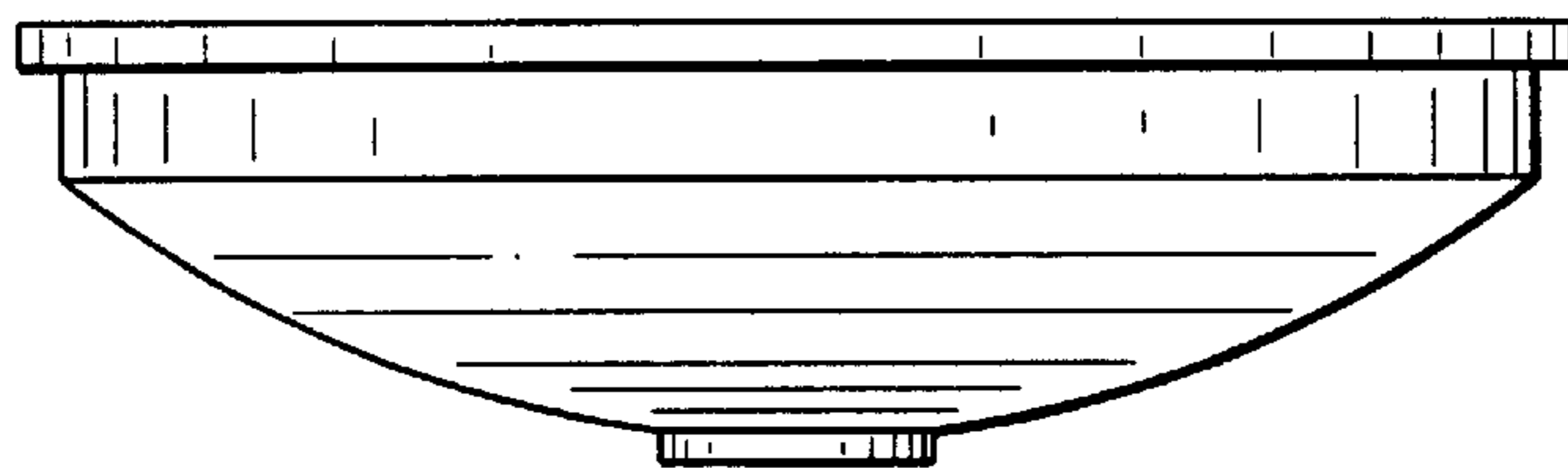


FIG. 4

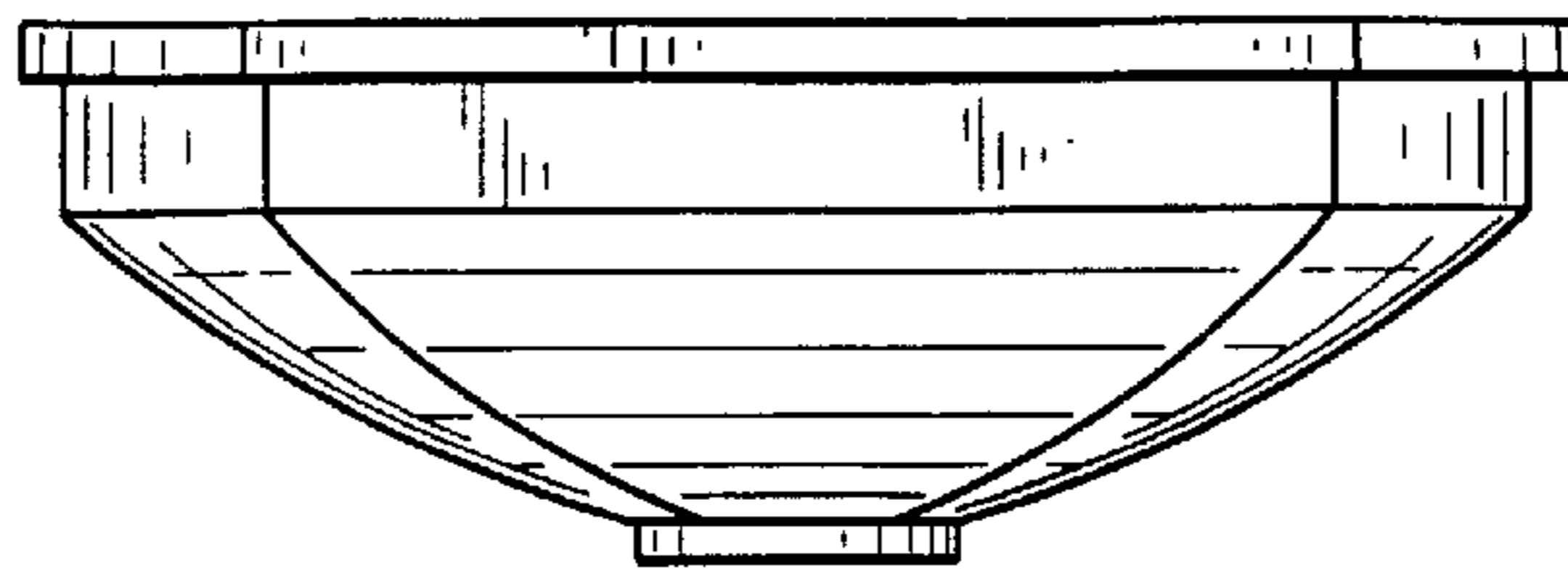


FIG. 5

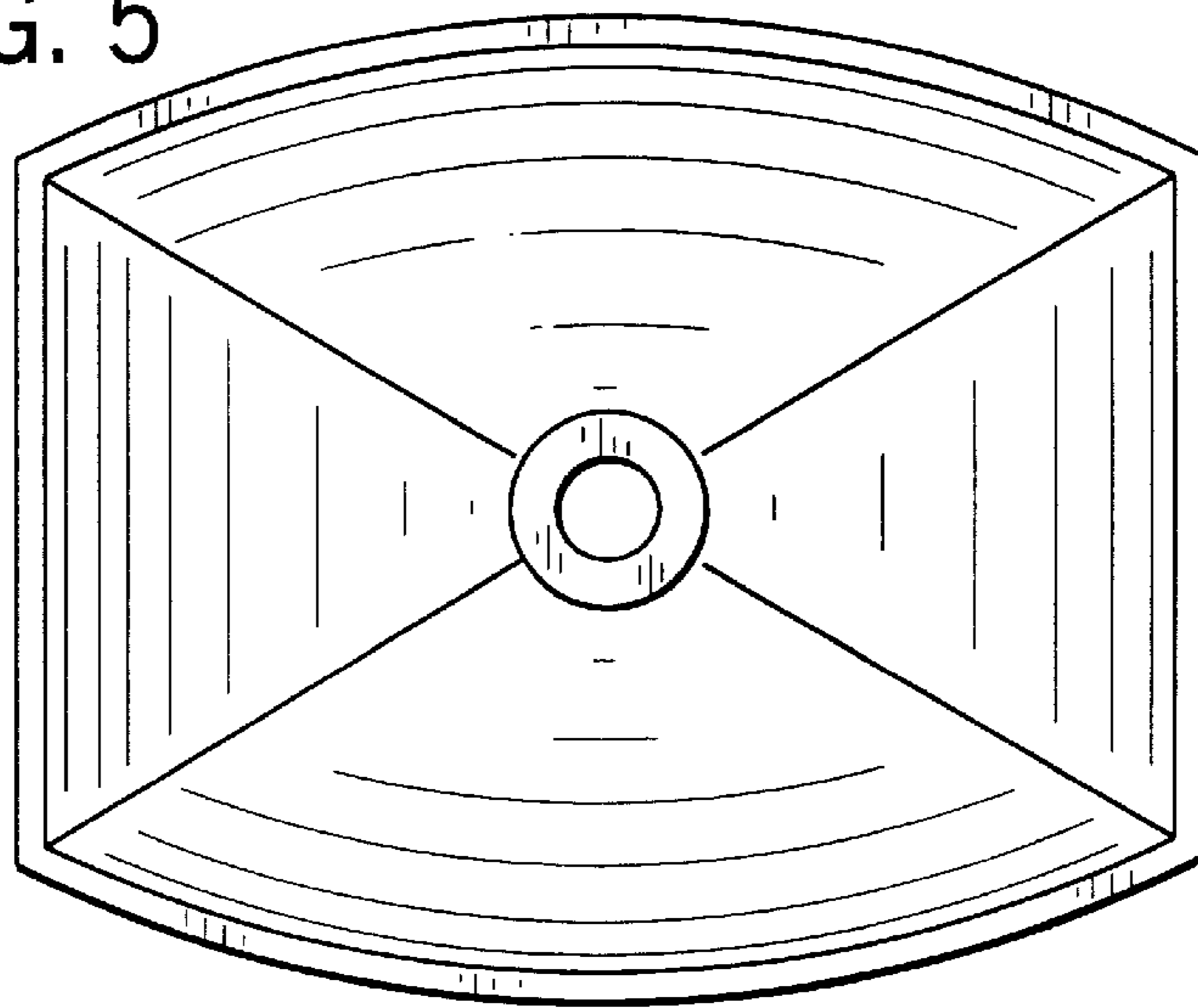


FIG. 6

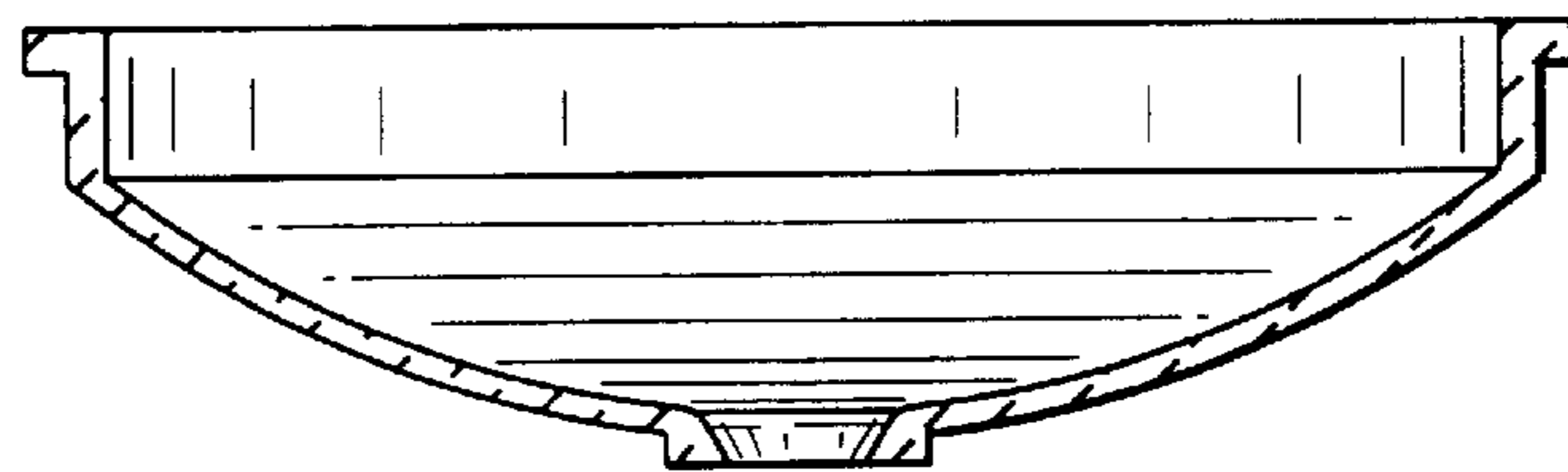


FIG. 7

