



US00D416988S

United States Patent [19]
Lord

[11] **Patent Number: Des. 416,988**

[45] **Date of Patent: ** *Nov. 23, 1999**

[54] **HAND HELD PULL-OUT SPRAY**

[75] Inventor: **Judd A. Lord**, Carmel, Ind.

[73] Assignee: **Masco Corporation of Indiana**, Indianapolis, Ind.

[*] Notice: This patent is subject to a terminal disclaimer.

[**] Term: **14 Years**

[21] Appl. No.: **29/091,189**

[22] Filed: **Jul. 23, 1998**

[51] **LOC (6) Cl.** **23-01**

[52] **U.S. Cl.** **D23/255**

[58] **Field of Search** D23/238-243, D23/280-287, 213; 4/675-678; 137/801

[56] **References Cited**

U.S. PATENT DOCUMENTS

D. 227,363	6/1973	Genaro	D23/255
D. 261,027	9/1981	Klose	D23/255
D. 266,785	11/1982	Thompson	D23/255
D. 271,706	12/1983	Fabian	D23/255

Primary Examiner—Eric Watterson
Attorney, Agent, or Firm—Myron B. Kapustij; Lloyd D. Doigan

[57] **CLAIM**

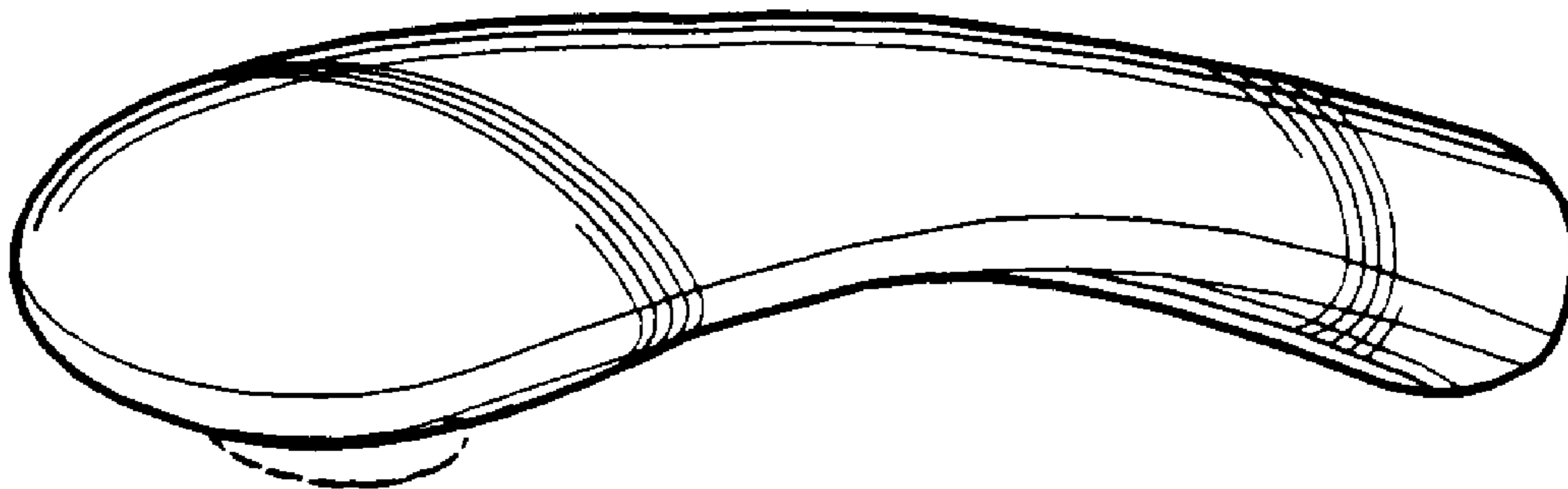
The ornamental design for a hand held pull-out spray, as shown and described.

DESCRIPTION

FIG. 1 is a top, front perspective view of a hand held pull-out spray showing my new design;
 FIG. 2 is a top, rear perspective view thereof;
 FIG. 3 is a top plan view thereof;
 FIG. 4 is a right side elevational view, the left side being a mirror image thereof;
 FIG. 5 is a rear elevational view thereof;
 FIG. 6 is a front elevational view thereof;
 FIG. 7 is a bottom plan view thereof;
 FIG. 8 is a top, front perspective view of a second embodiment of the hand held pull-out spray, differing from the embodiment of FIG. 1 in that it has a longer neck;
 FIG. 9 is a right side elevational view of the hand held pull-out spray illustrated in FIG. 8, the left side being a mirror image;
 FIG. 10 is a top, front perspective view of a third embodiment of the hand held pull-out spray, differing from the embodiment of FIG. 1 in that it has a shorter neck; and,
 FIG. 11 is a right side elevational view of the hand held pull-out spray illustrated in FIG. 10, the left side being a mirror image.

The broken line representation of the spray face in FIGS. 1, 4 and 6-11 is for purposes of illustration only and forms no part of the claimed design.

1 Claim, 3 Drawing Sheets



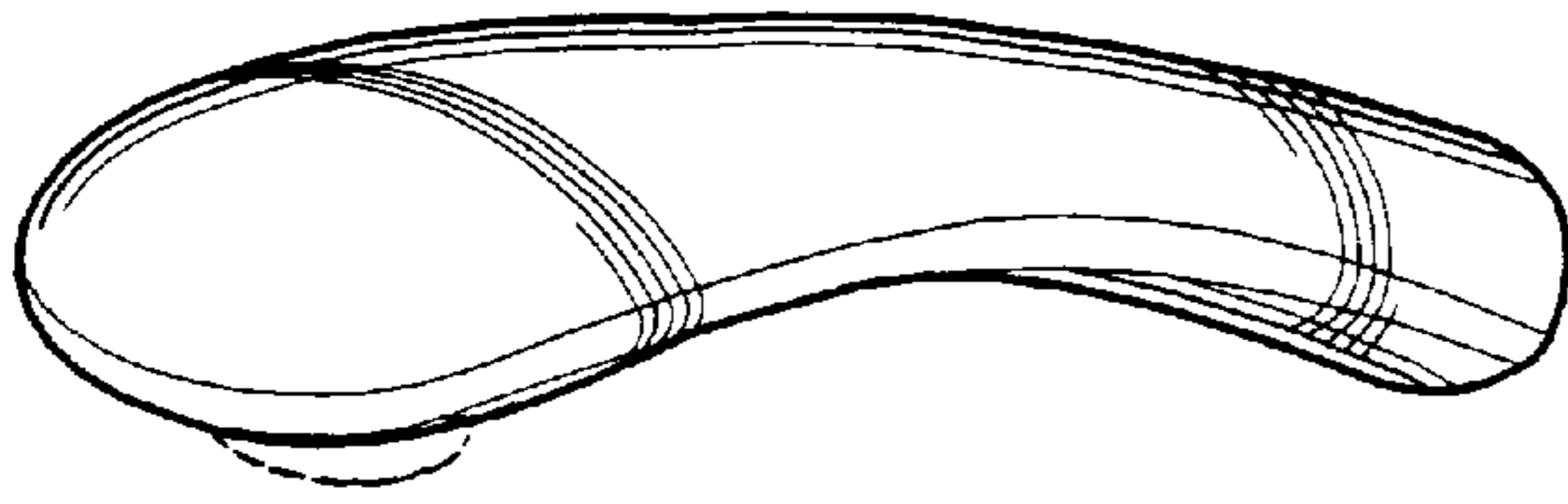


Fig-1

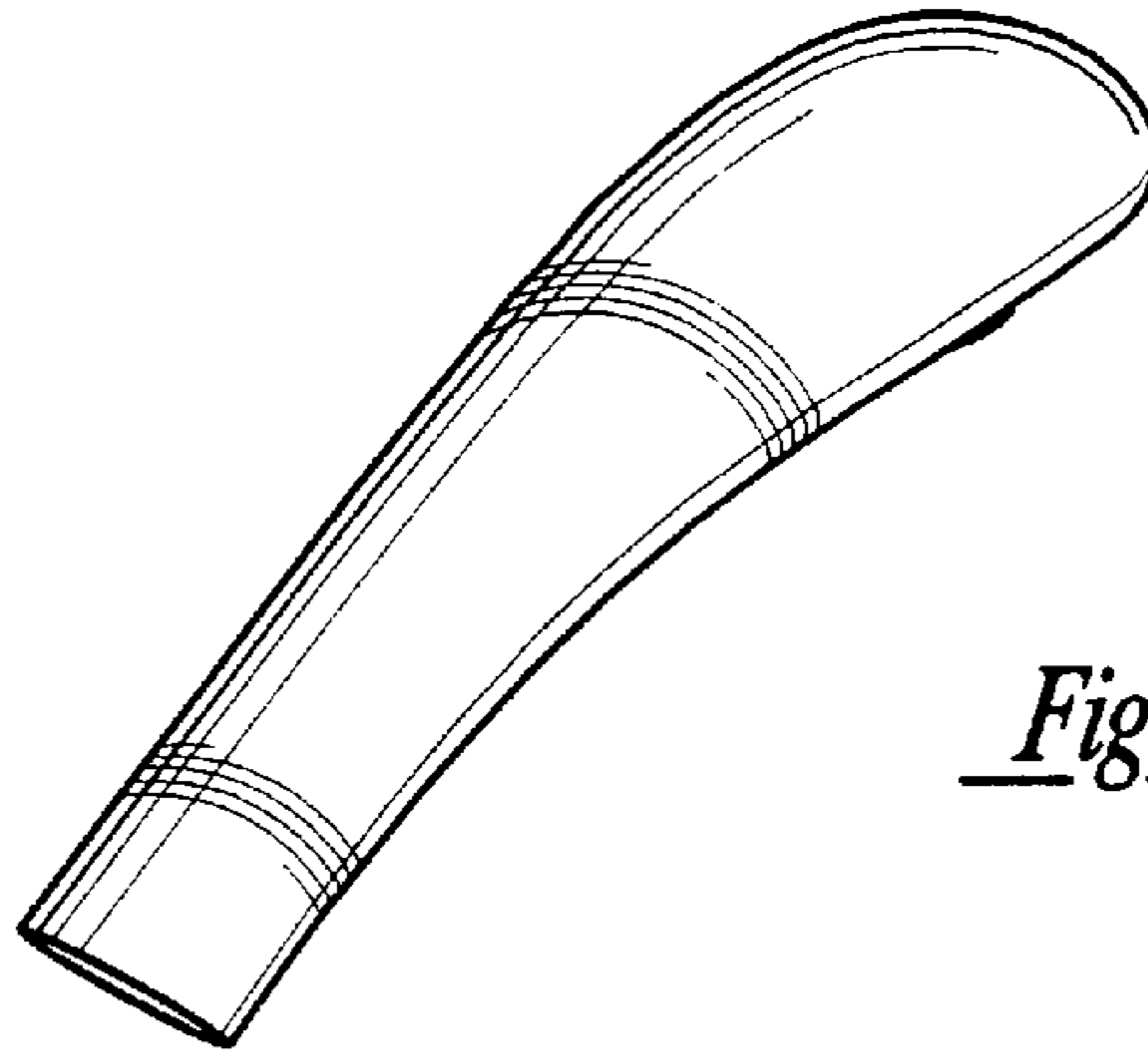


Fig-2

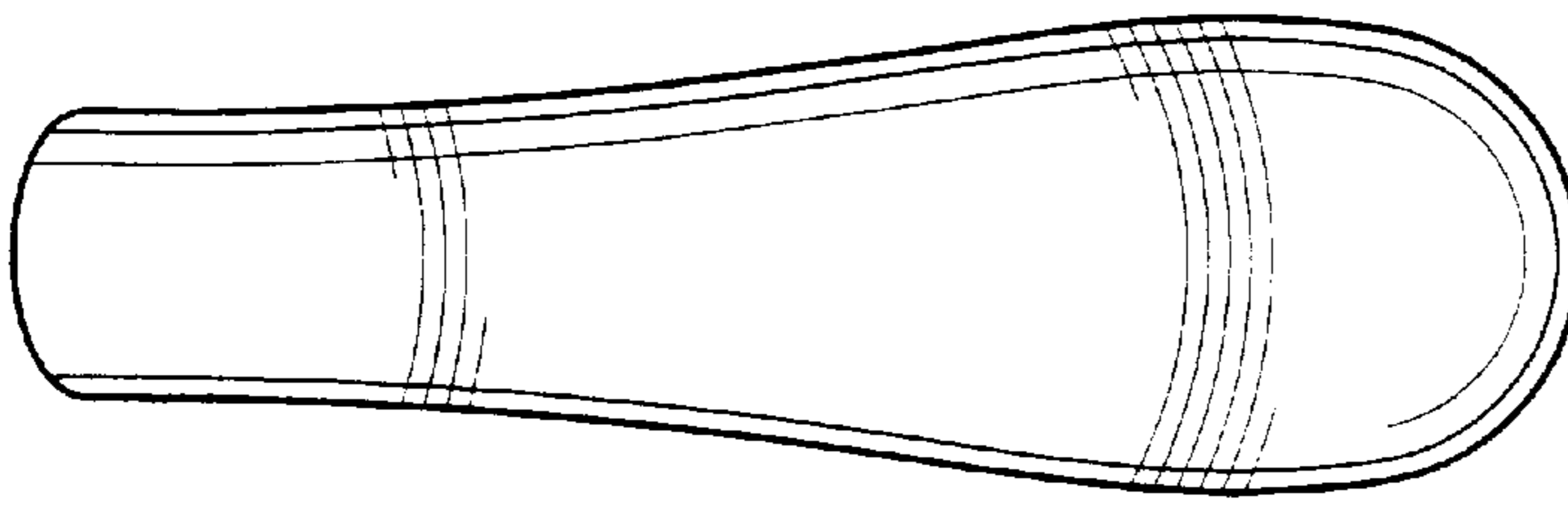


Fig-3

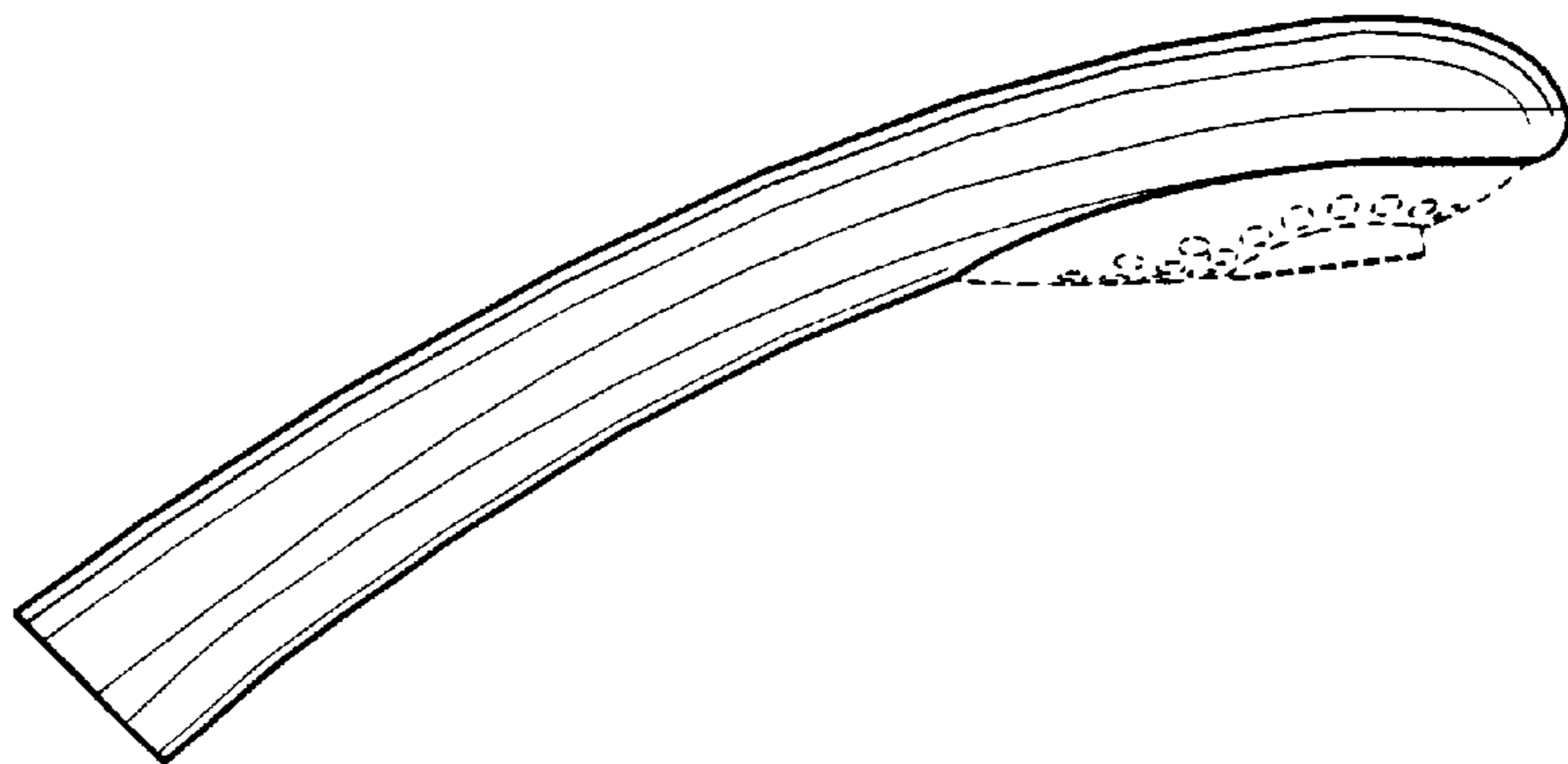


Fig-4

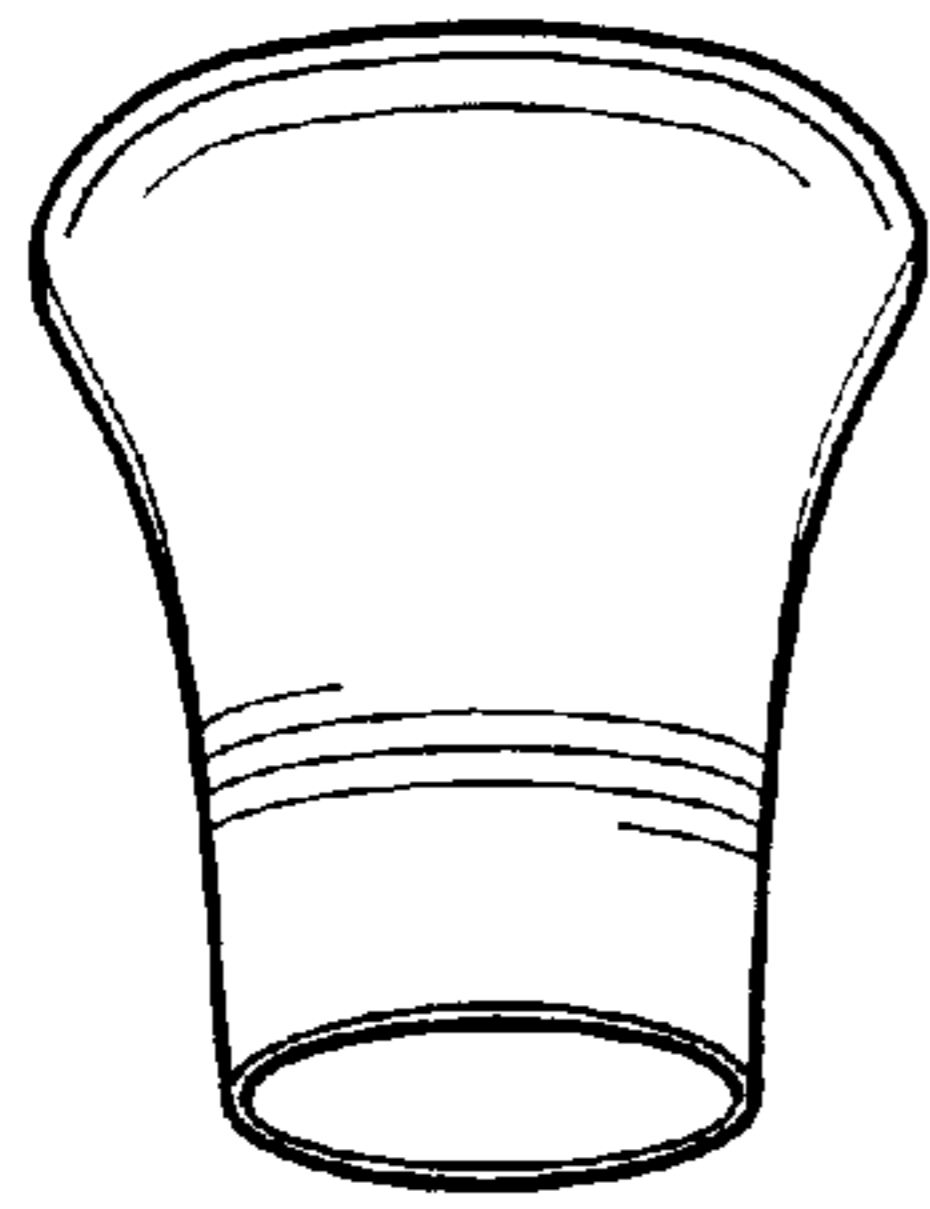


Fig-5

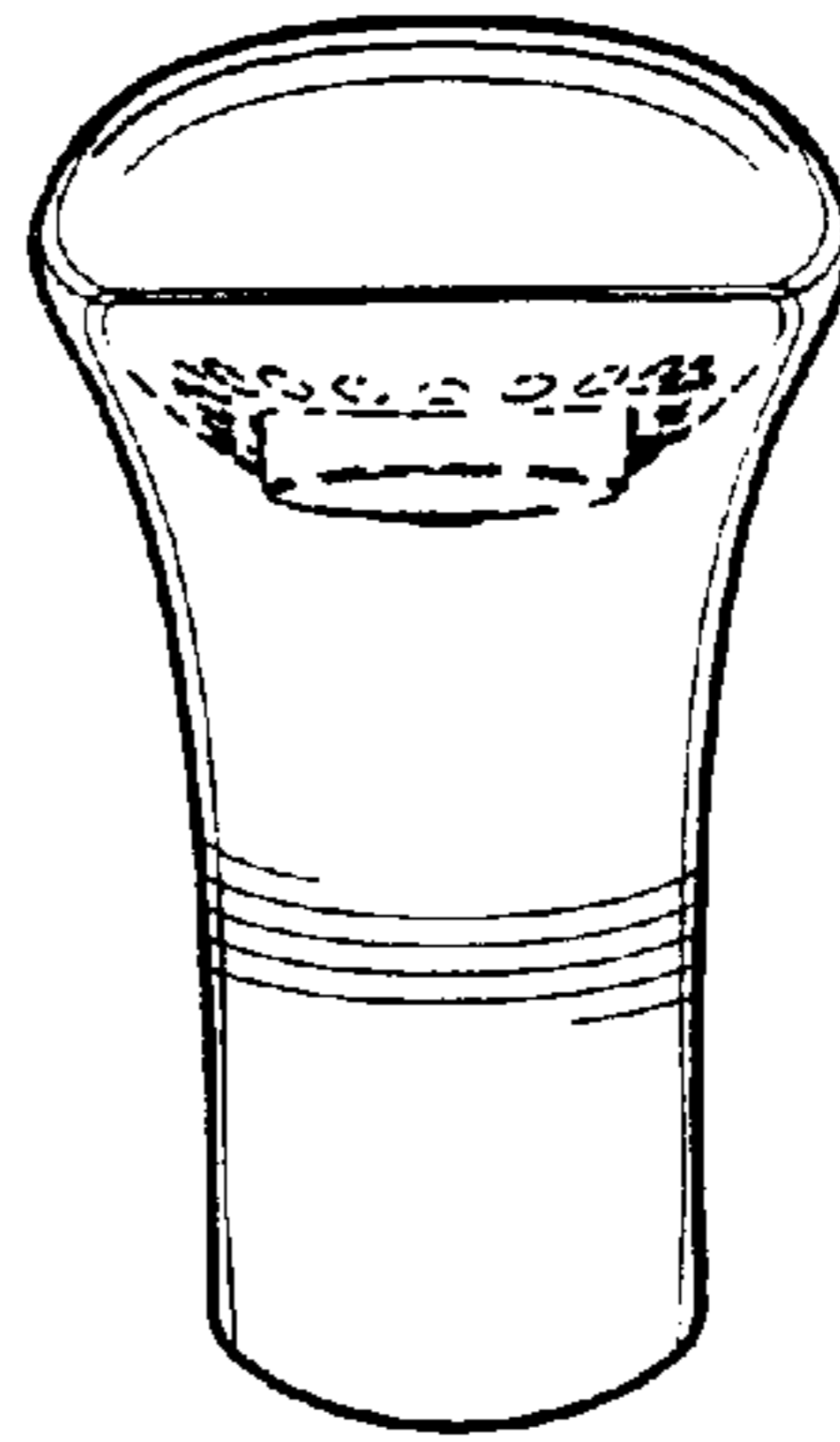


Fig-6

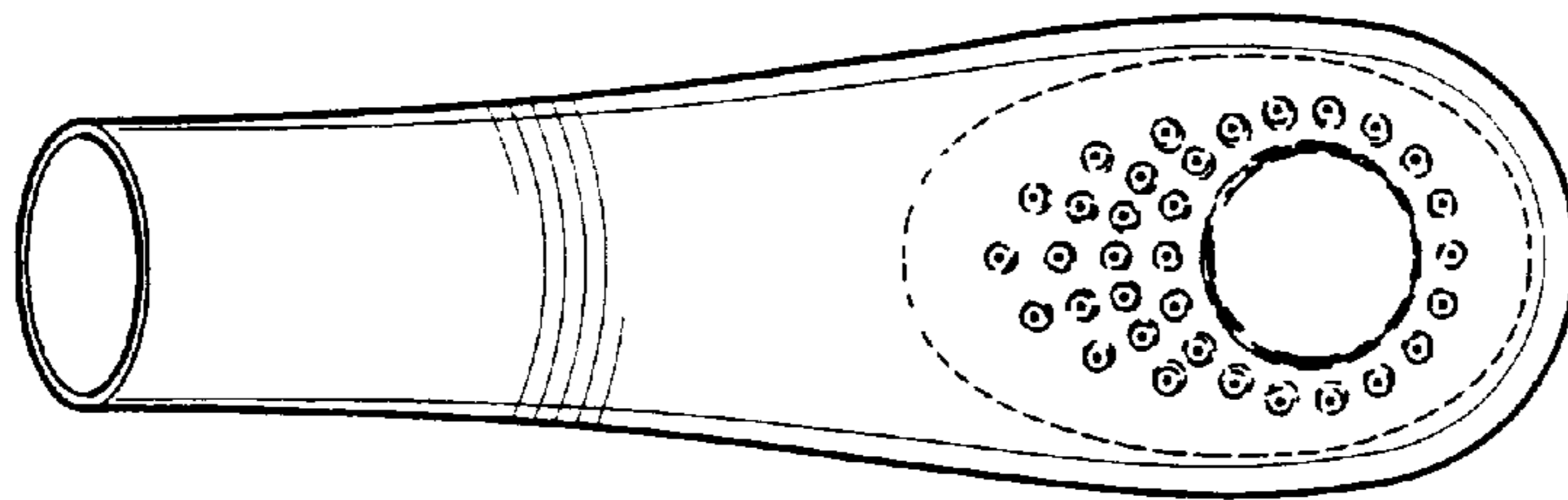


Fig-7

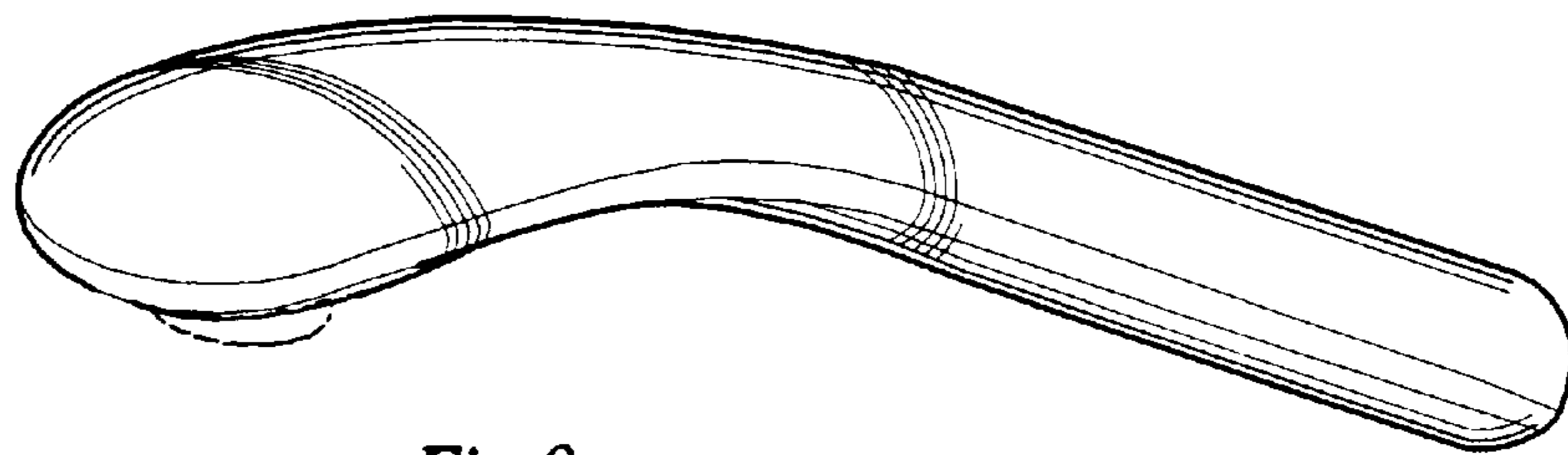


Fig-8

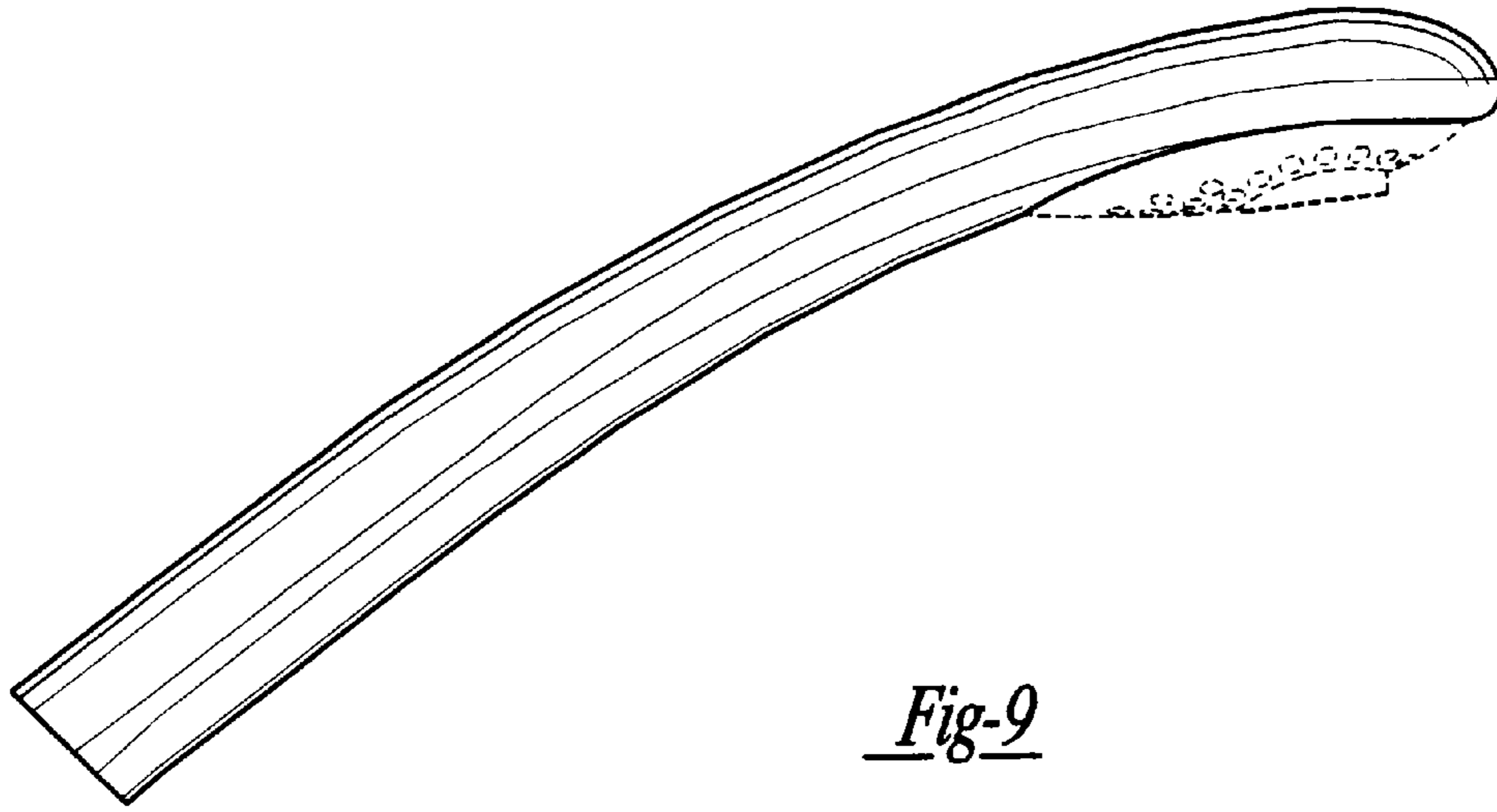


Fig-9

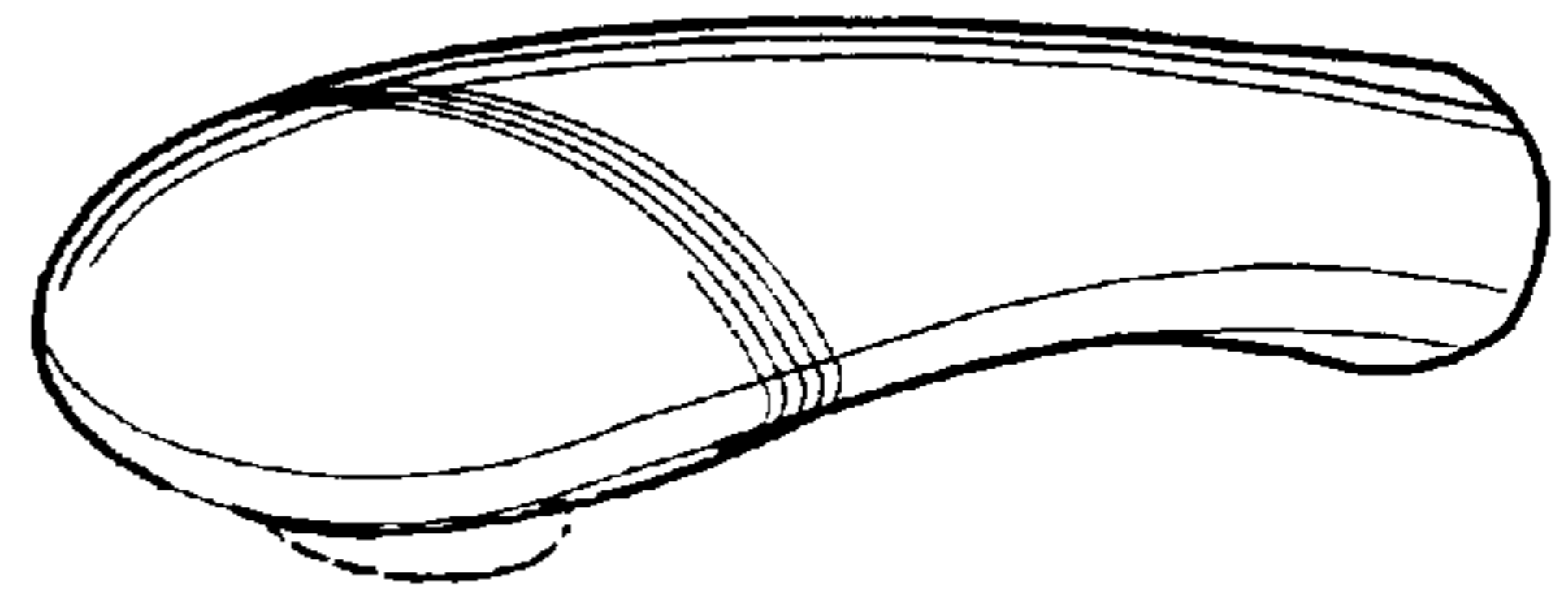


Fig-10

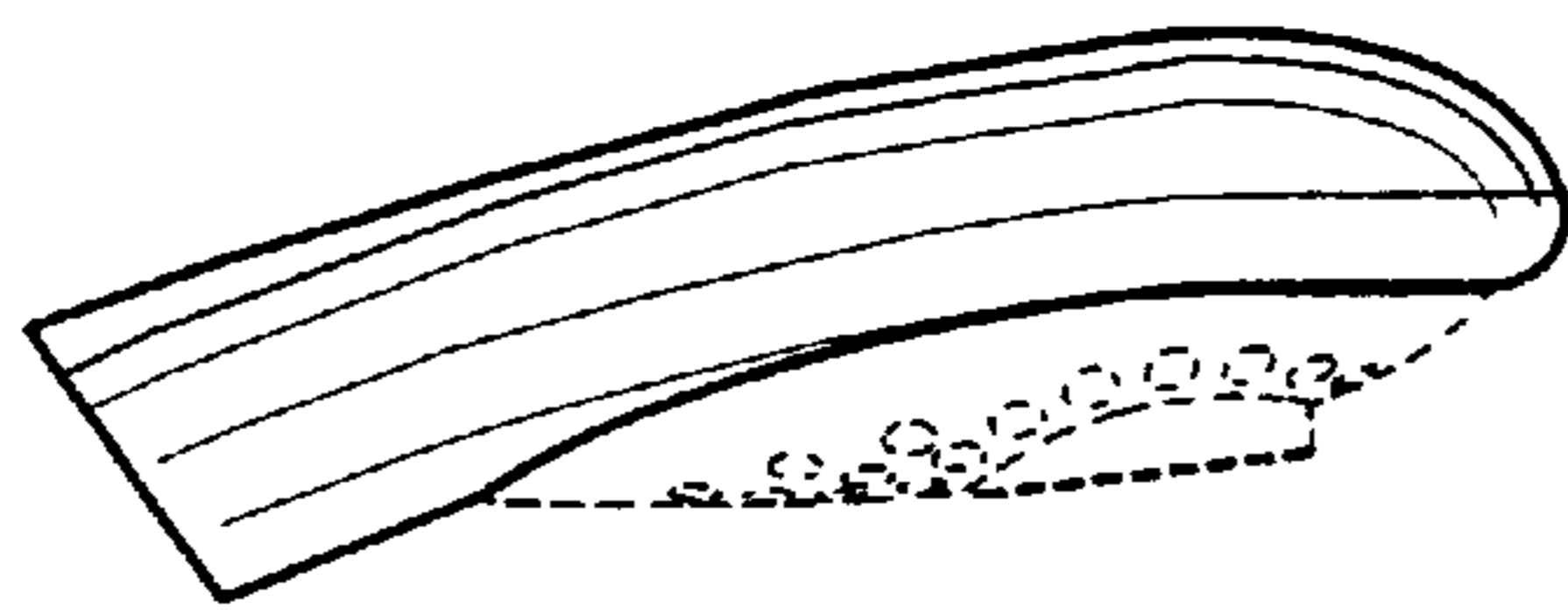


Fig-11