



US00D416987S

United States Patent [19]
Müllenmeister

[11] **Patent Number: Des. 416,987**

[45] **Date of Patent: ** Nov. 23, 1999**

[54] **WALL-MOUNT DOUBLE-HANDLE
ESCUTCHEON FAUCET ASSEMBLY**

[75] Inventor: **Daniel Müllenmeister**, Havixbeck,
Germany

[73] Assignee: **Friedrich Grohe AG**, Hemer, Germany

[**] Term: **14 Years**

[21] Appl. No.: **29/105,126**

[22] Filed: **May 18, 1999**

[30] **Foreign Application Priority Data**

Dec. 18, 1998 [DE] Germany 49812216

[51] **LOC (6) Cl.** **23-01**

[52] **U.S. Cl.** **D23/254**

[58] **Field of Search** D23/238-243,
D23/250-257; 4/675-678; 137/801

[56] **References Cited**

U.S. PATENT DOCUMENTS

D. 339,630 9/1993 Gottwald D23/254
D. 363,765 10/1995 Starck D23/254

D. 373,180 8/1996 Gottwald D23/254
D. 393,895 4/1998 Gottwald D23/254
D. 397,771 9/1998 Lobermeier D23/254
D. 402,009 12/1998 Gottwald D23/254
D. 406,879 3/1999 Powell et al. D23/254
D. 409,290 5/1999 Gottwald D23/254

Primary Examiner—Eric Watterson
Attorney, Agent, or Firm—Herbert Dubno

[57] **CLAIM**

The ornamental design for a wall-mount double-handle escutcheon faucet assembly, as shown.

DESCRIPTION

FIG. 1 is a top, front, left-side perspective view of a wall-mount double-handle escutcheon faucet assembly showing my new design;
FIG. 2 is a front elevational view thereof;
FIG. 3 is a left side elevational view thereof;
FIG. 4 is a right side elevational view thereof;
FIG. 5 is a top-plan view thereof;
FIG. 6 is a bottom-plan view thereof; and,
FIG. 7 is a rear view thereof.

1 Claim, 6 Drawing Sheets

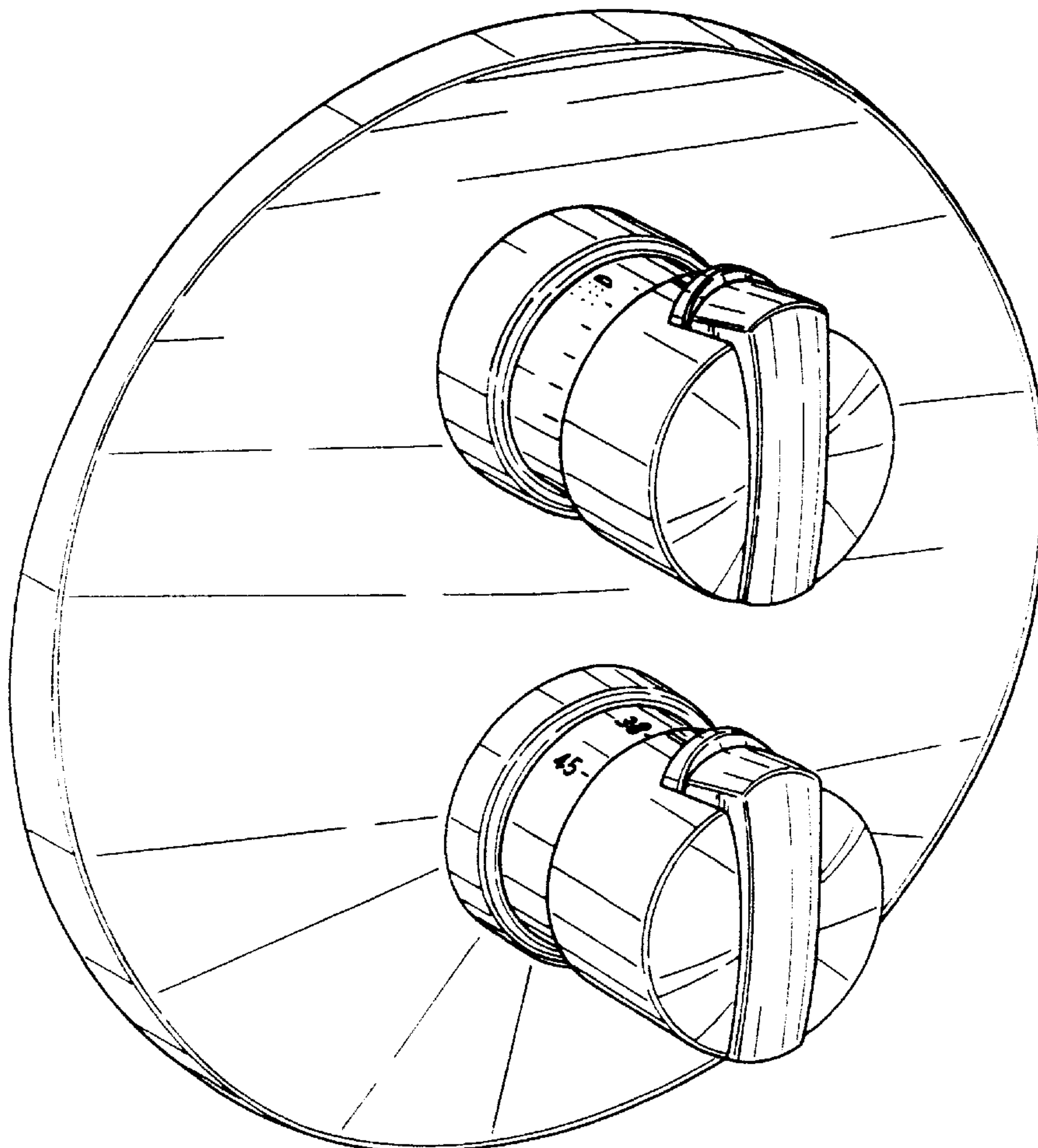
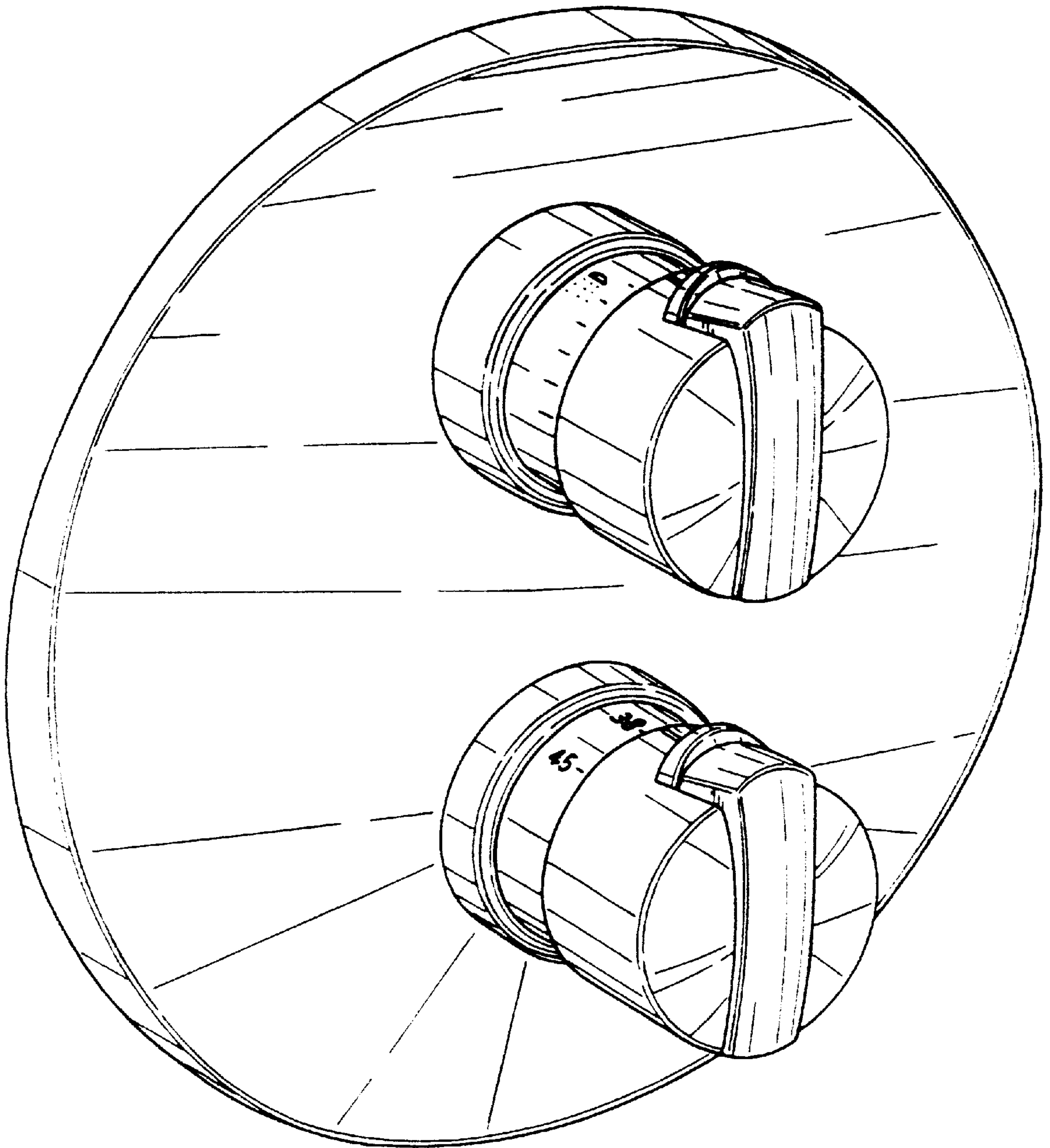


FIG. 1



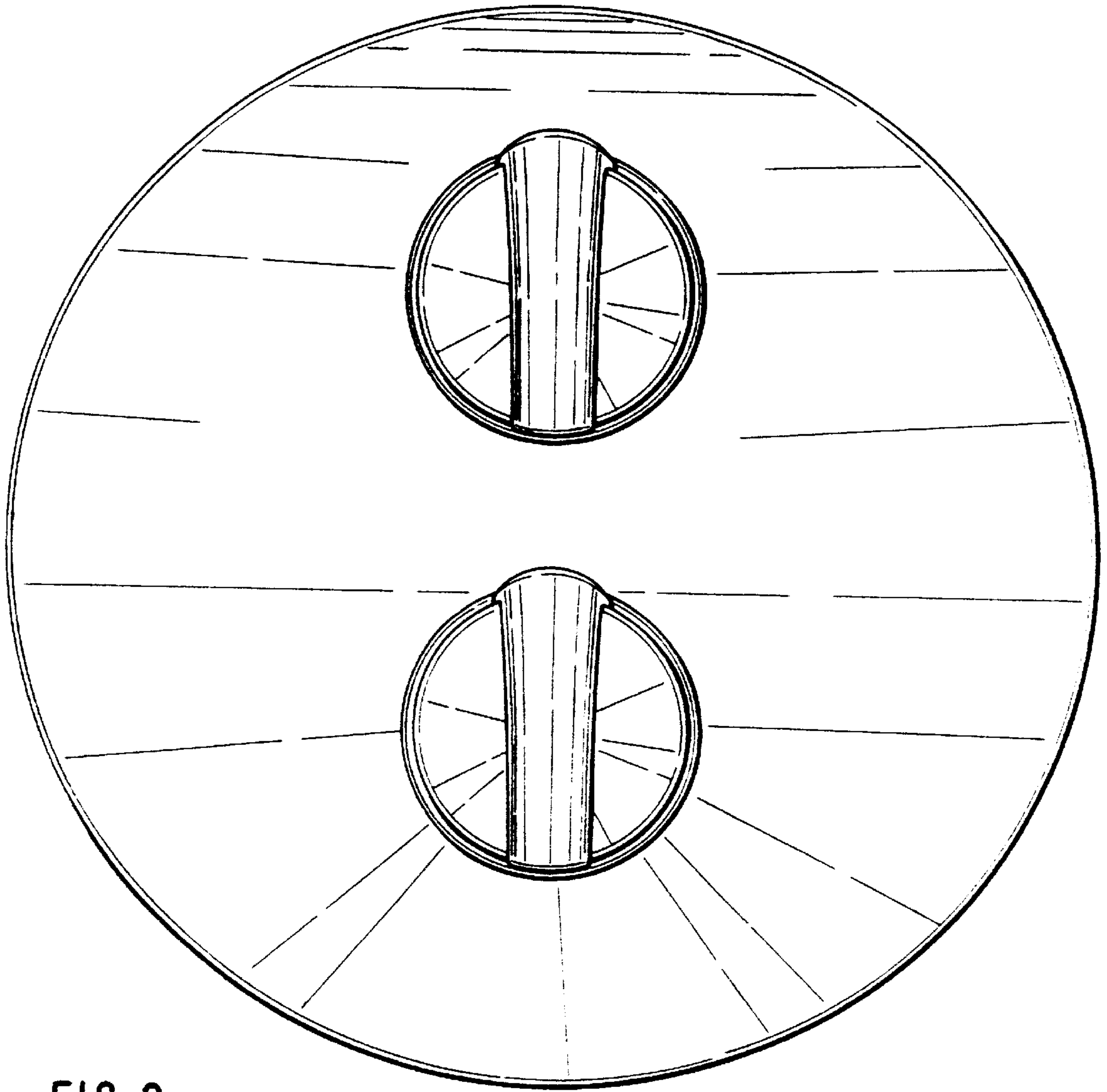


FIG. 2

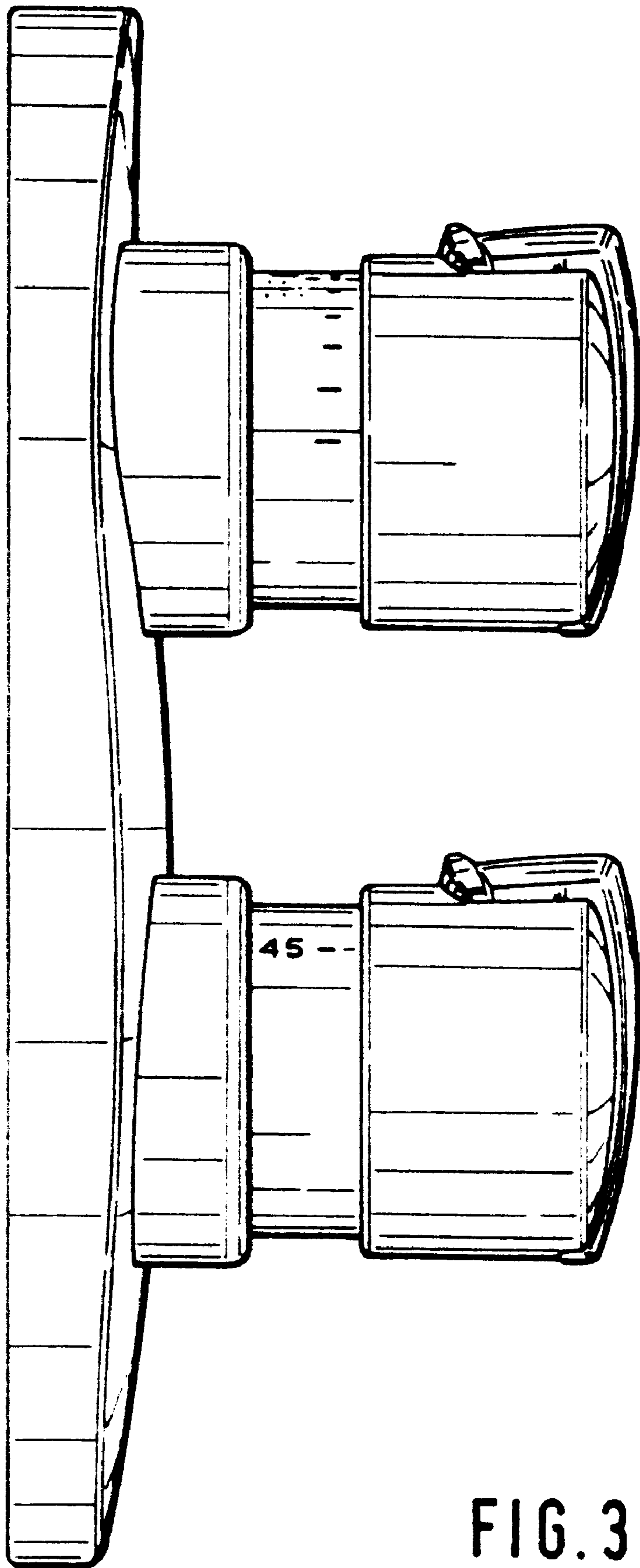


FIG. 3

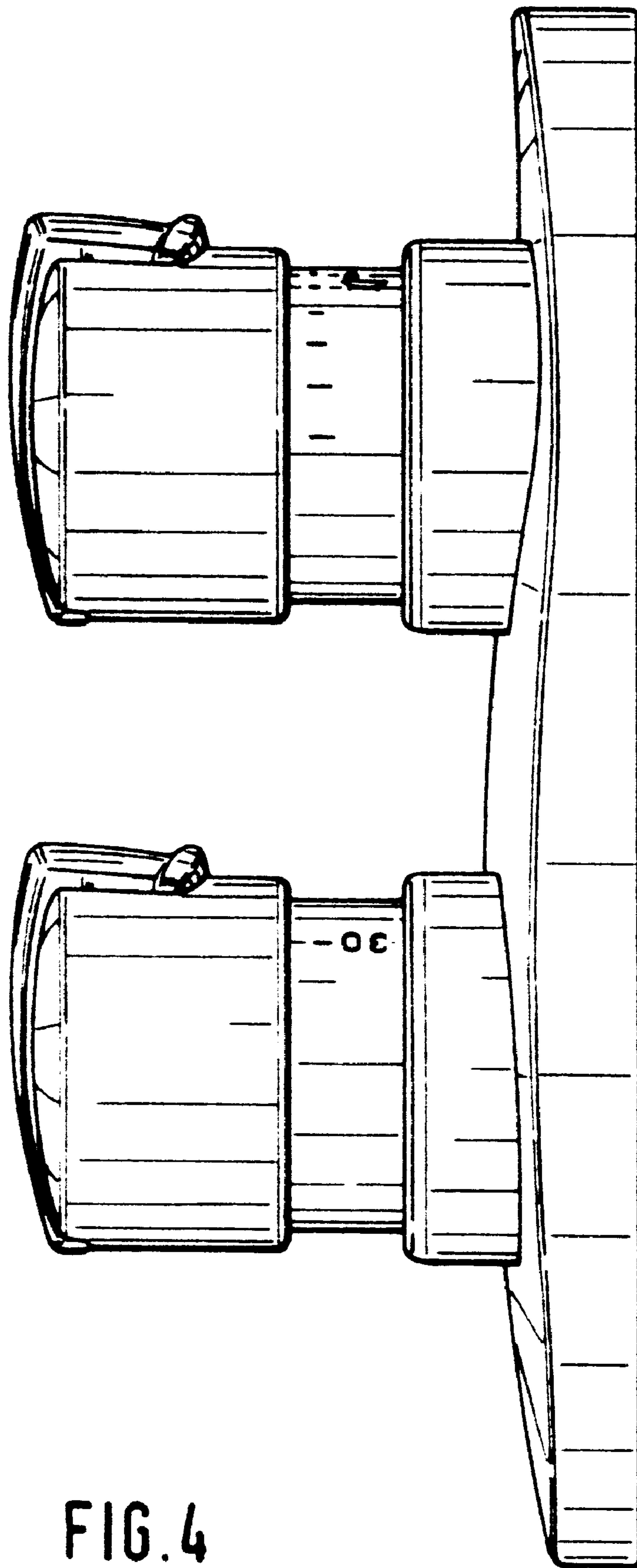


FIG. 4

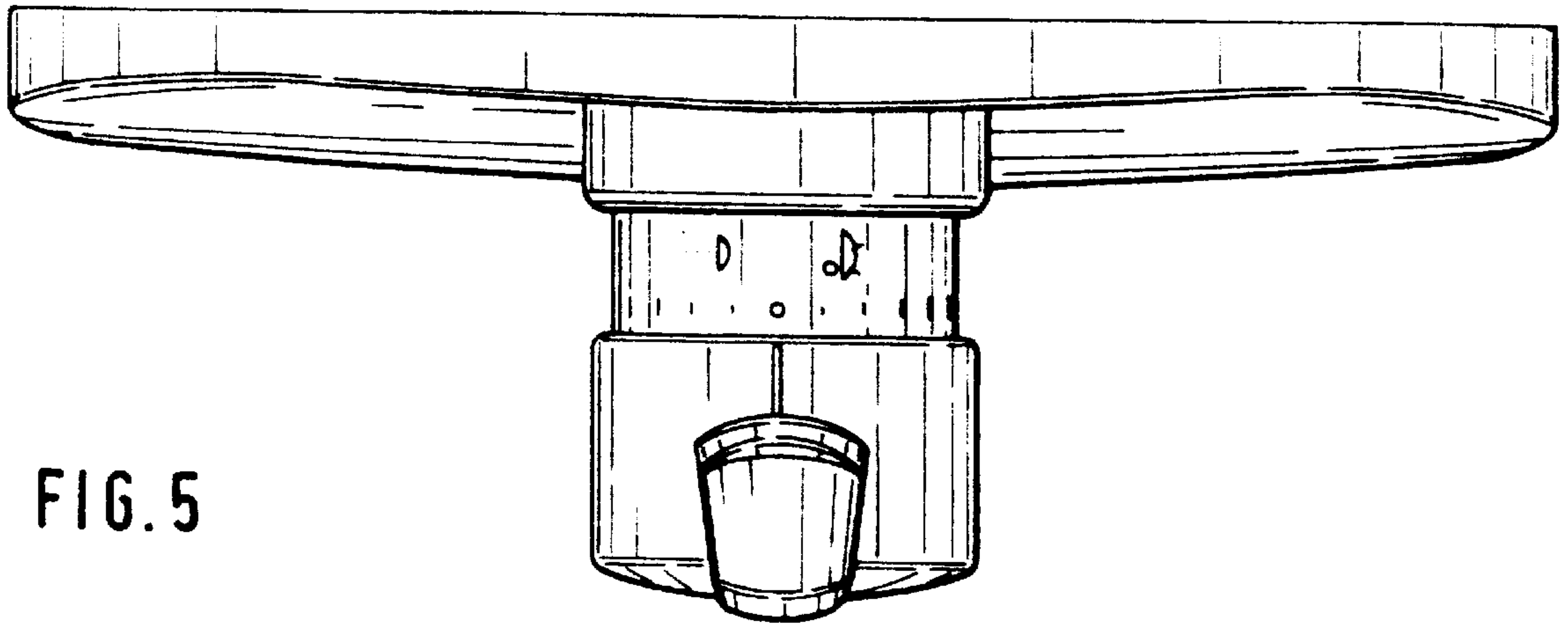


FIG. 5

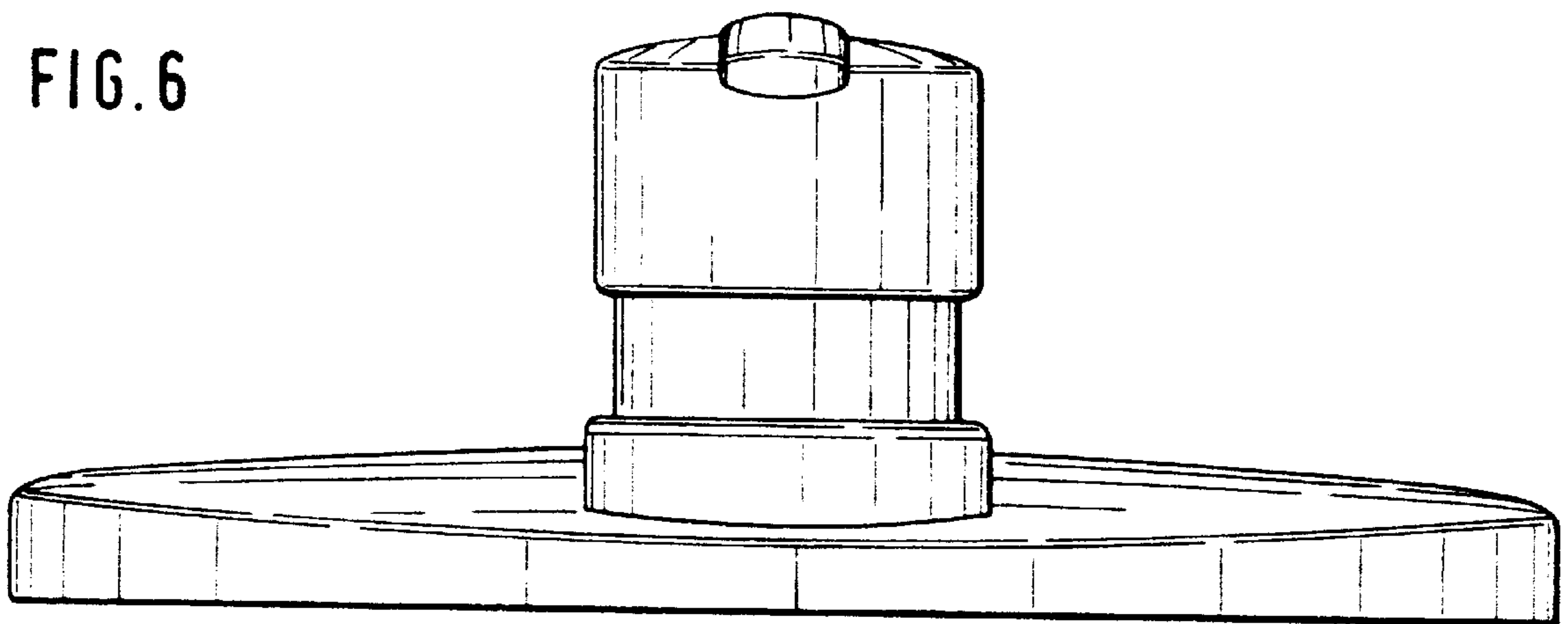


FIG. 6

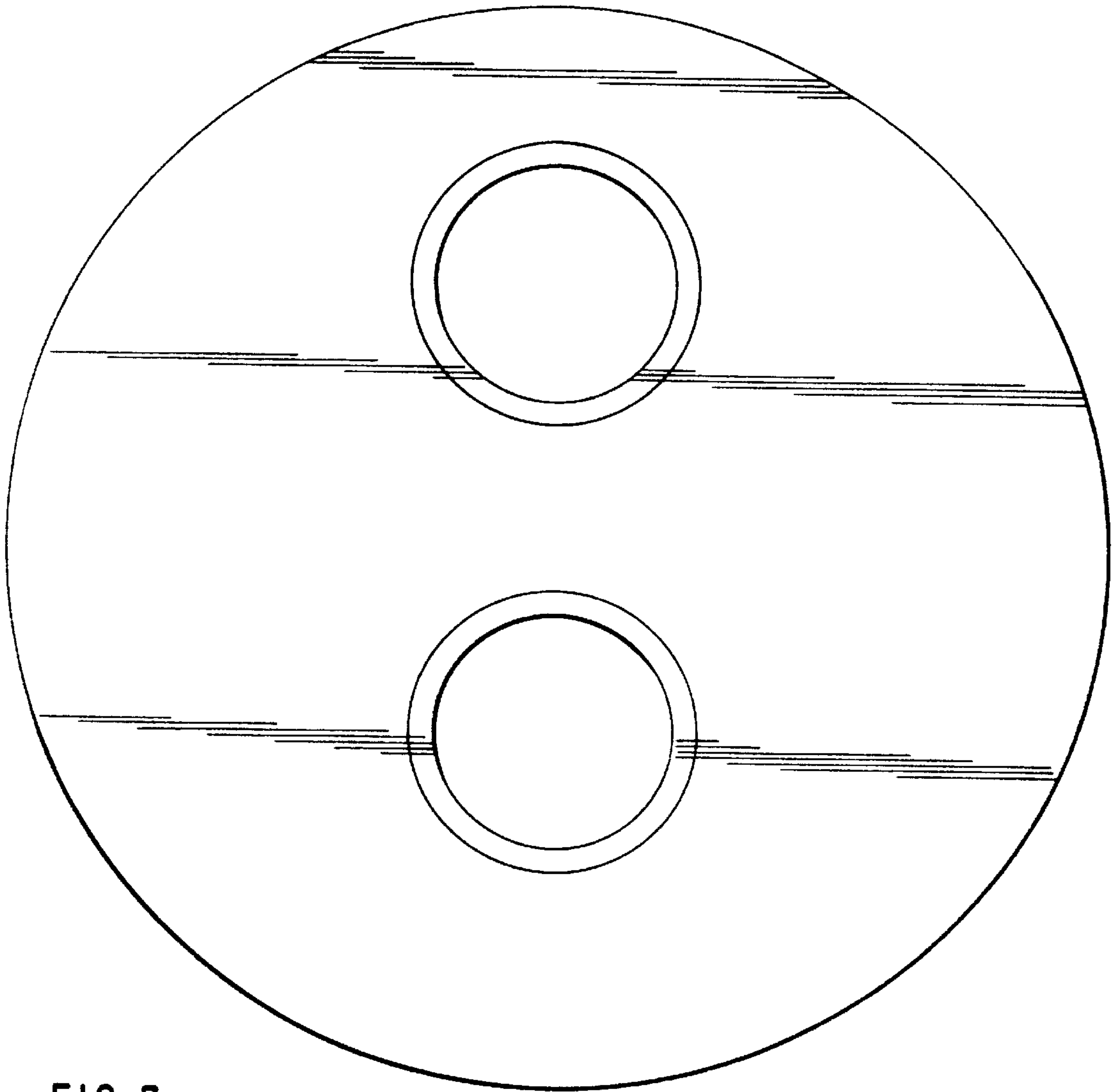


FIG. 7