



US00D416984S

United States Patent [19] Gottwald

[11] **Patent Number: Des. 416,984**

[45] **Date of Patent: ** Nov. 23, 1999**

[54] **FAUCET HANDLE**

[75] **Inventor: Adolf Gottwald, Iserlohn, Germany**

[73] **Assignee: Friedrich Grohe AG, Hemer, Germany**

[*] **Notice:** This patent is subject to a terminal disclaimer.

[**] **Term: 14 Years**

[21] **Appl. No.: 29/072,335**

[22] **Filed: Jun. 12, 1997**

[30] **Foreign Application Priority Data**

Jan. 19, 1997 [DE] Germany 97 00 386

[51] **LOC (6) Cl. 23-01**

[52] **U.S. Cl. D23/250**

[58] **Field of Search D23/238-243,
D23/250-257; D8/300, 313; 16/110 R-120;
4/675-678; 137/801**

[56] **References Cited**

U.S. PATENT DOCUMENTS

D. 310,709 9/1990 Jans D23/250

D. 319,771 9/1991 Reid et al. D8/312
D. 324,807 3/1992 Reid et al. D8/310
D. 326,899 6/1992 Haug et al. D23/250
D. 336,947 6/1993 Gottwald D23/250

Primary Examiner—Eric Watterson
Attorney, Agent, or Firm—Herbert Dubno

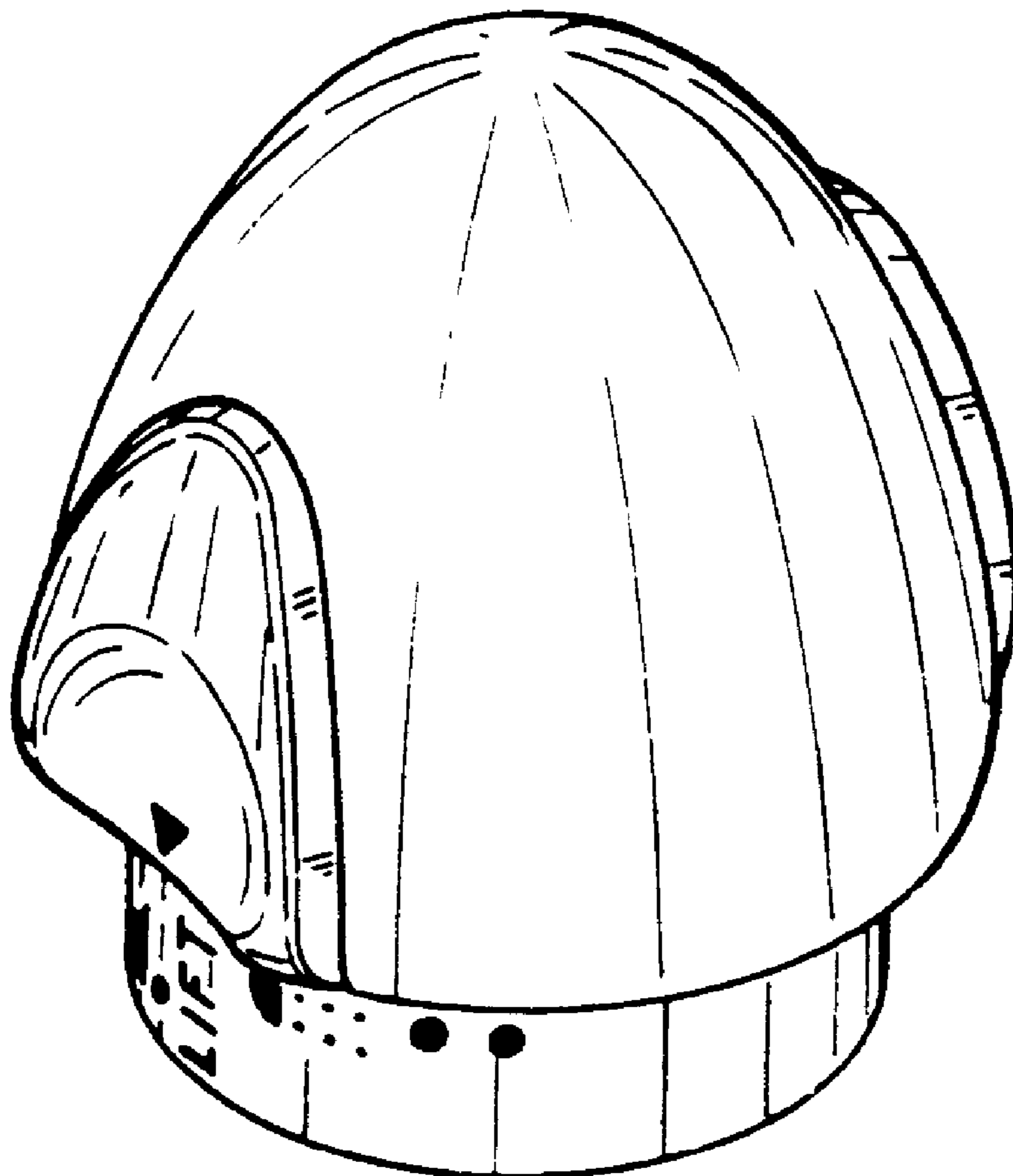
[57] **CLAIM**

The ornamental design for a faucet handle as shown.

DESCRIPTION

FIG. 1 is a top, front, right side perspective view of a faucet handle showing my new design;
FIG. 2 is a front elevational view thereof;
FIG. 3 is a right side elevational view thereof;
FIG. 4 is a bottom view thereof;
FIG. 5 is a top view thereof;
FIG. 6 is a rear view thereof; and,
FIG. 7 is a left side elevational view thereof.

1 Claim, 2 Drawing Sheets



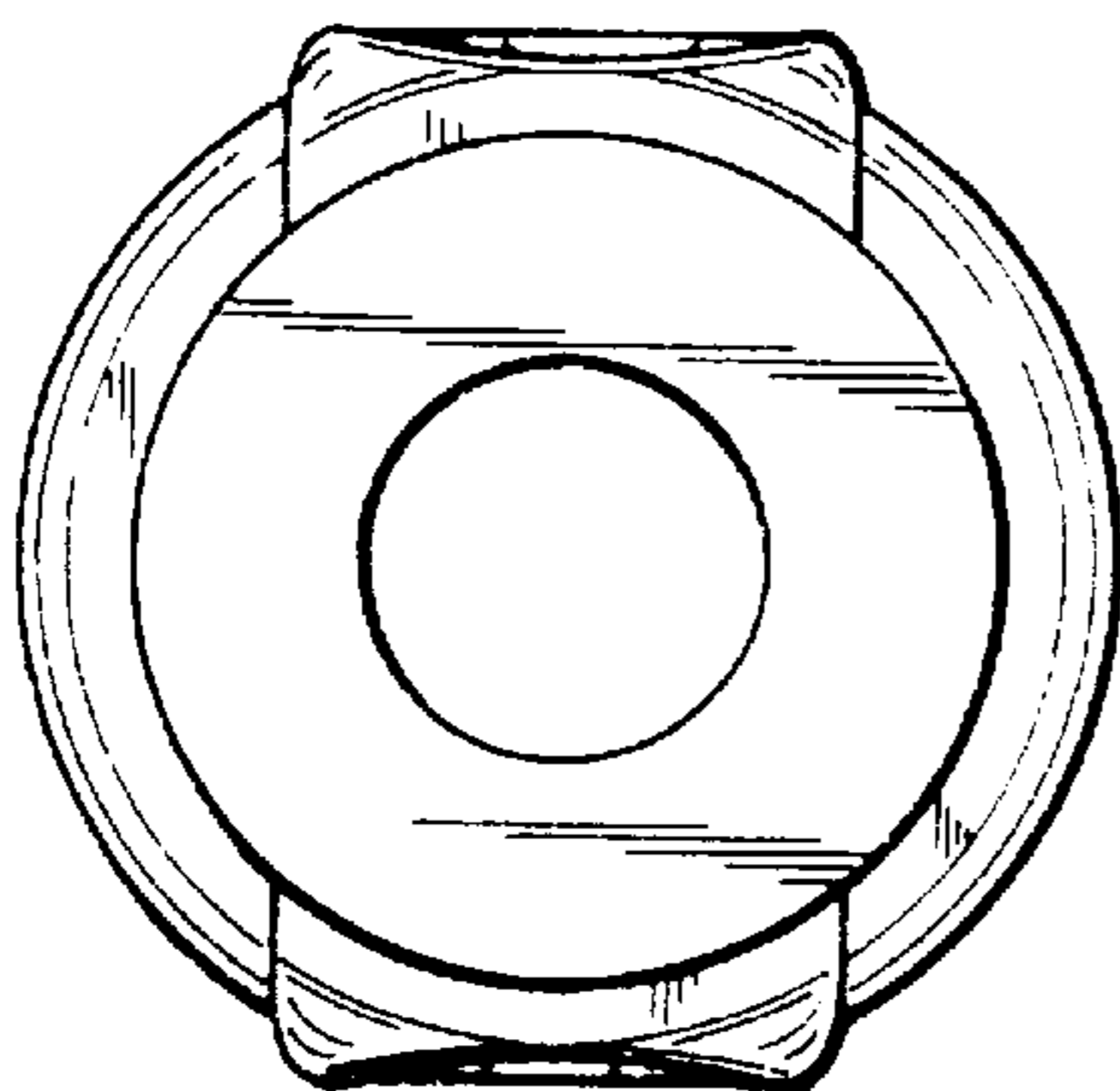
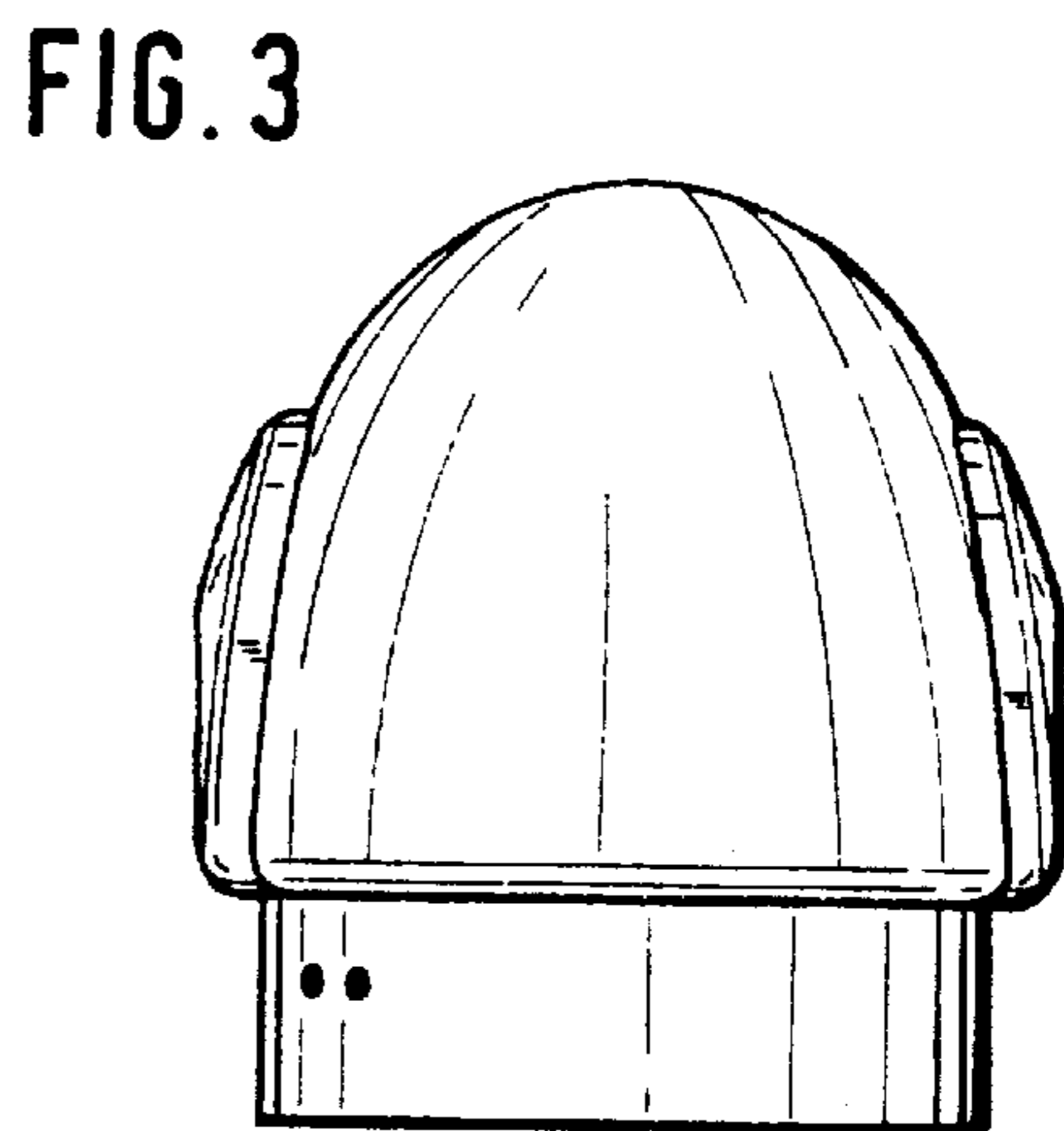
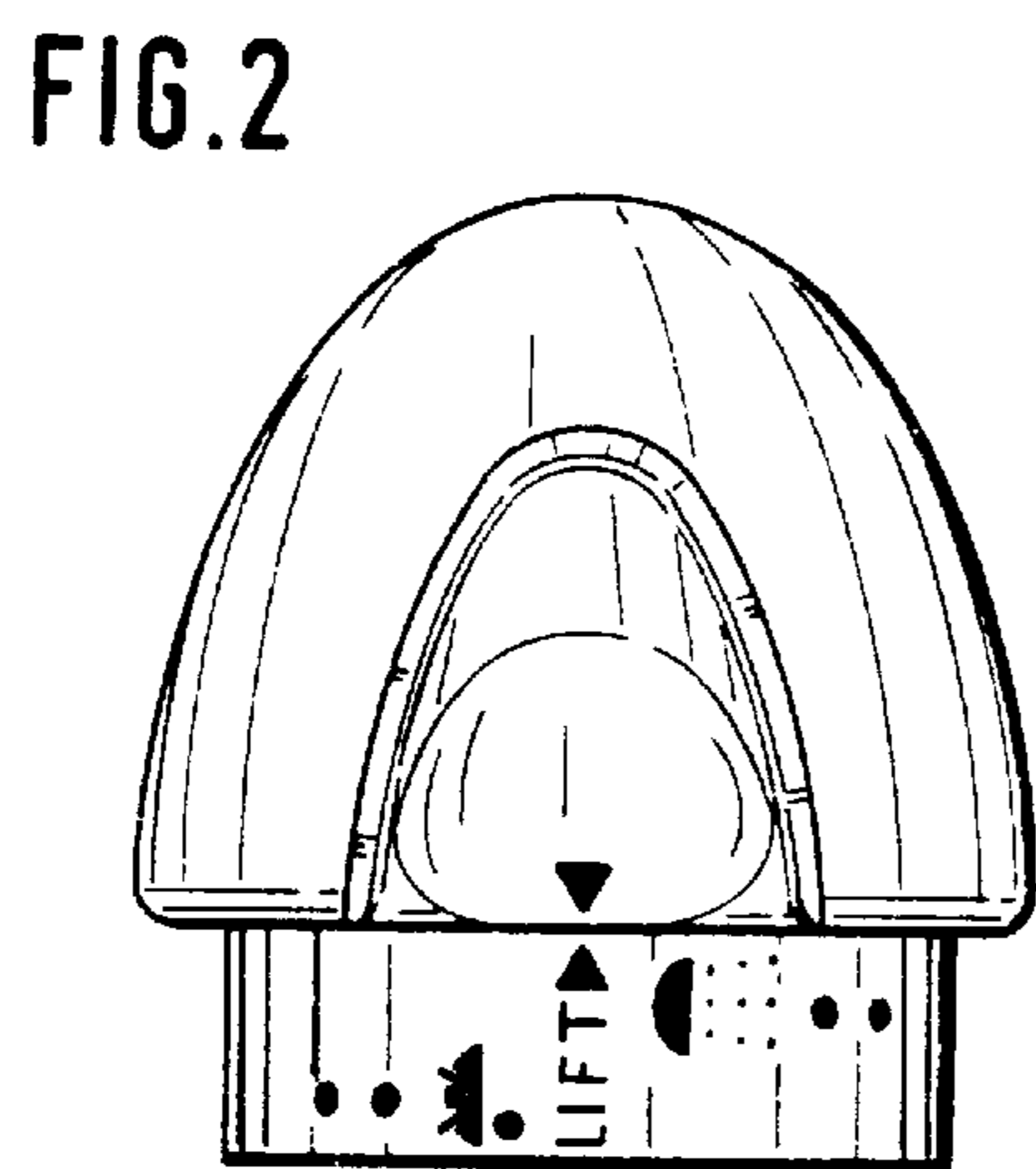
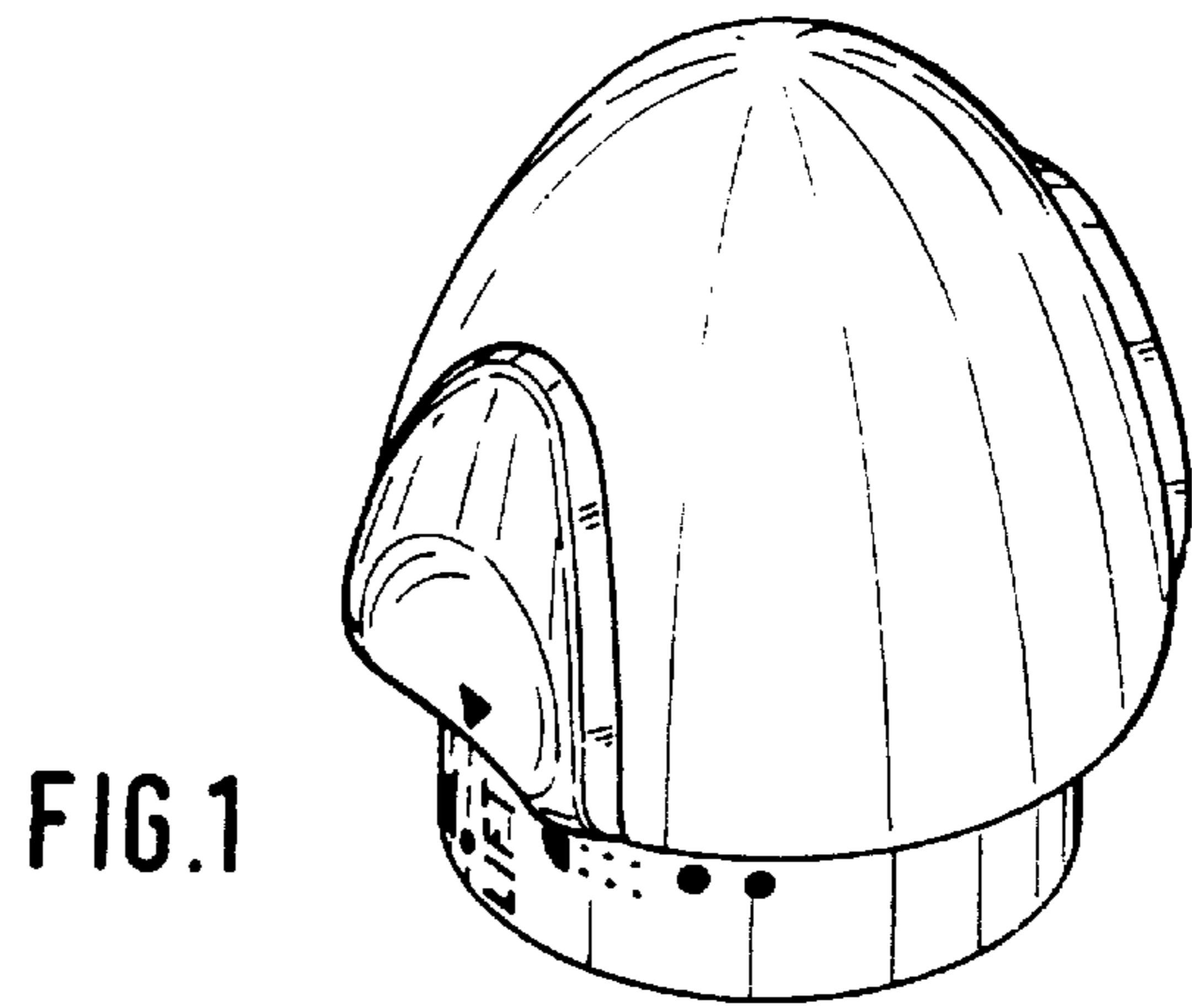


FIG. 5

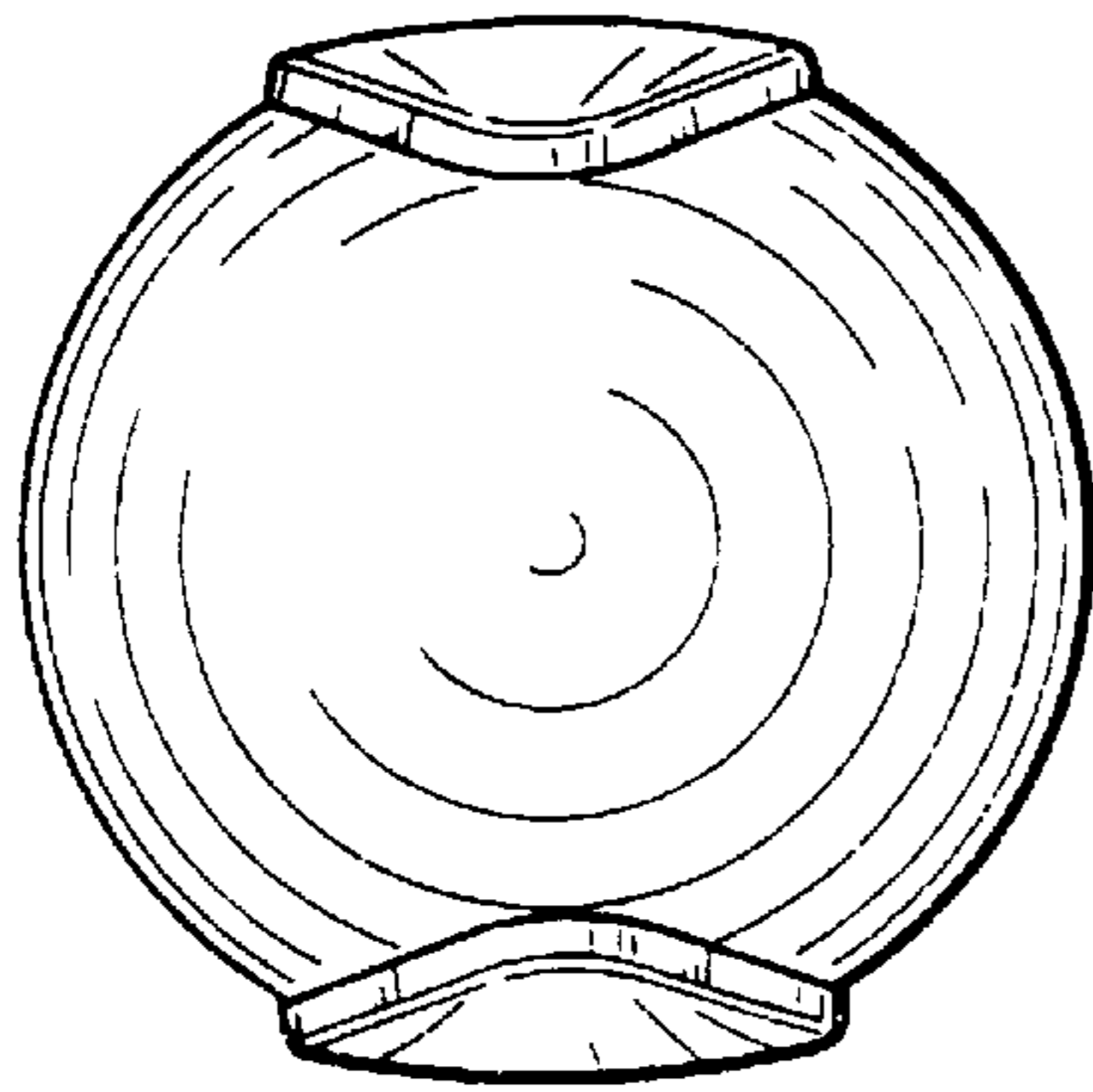


FIG. 6

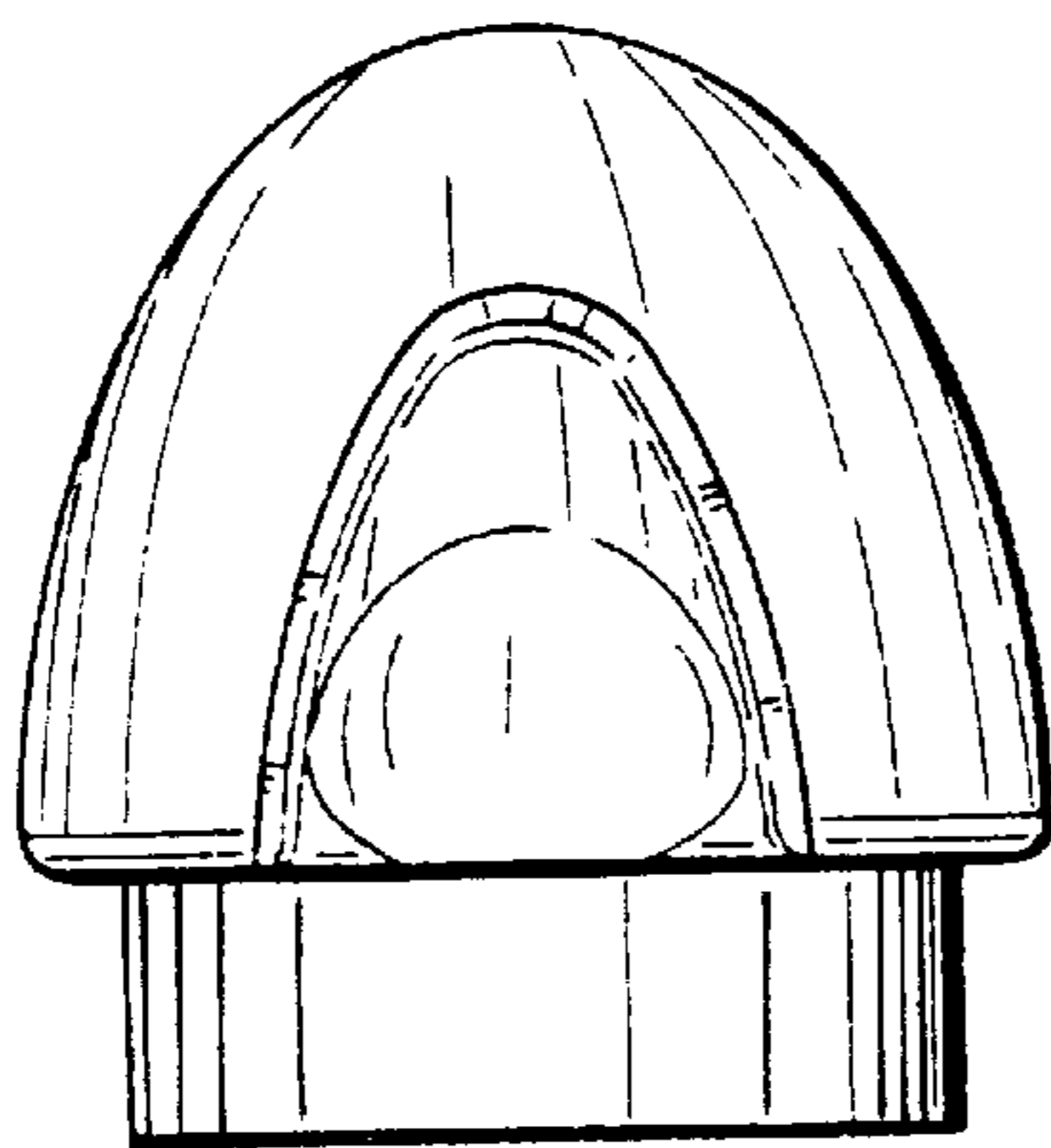


FIG. 7

