



US00D416983S

United States Patent [19] Kitchen et al.

[11] **Patent Number: Des. 416,983**

[45] **Date of Patent: ** Nov. 23, 1999**

[54] **HANDLE OF A VALVE**

5,470,044 11/1995 Chi .

[75] Inventors: **Dale J. Kitchen**, South Euclid; **Thomas E. DiBiase**, Mentor, both of Ohio

FOREIGN PATENT DOCUMENTS

0 347 289 12/1989 European Pat. Off. .
1106309 5/1954 France .
88 02 076 U 2/1988 Germany .

[73] Assignee: **Swagelok Company**, Solon, Ohio

[**] Term: **14 Years**

Primary Examiner—Robin V. Taylor
Attorney, Agent, or Firm—Calfee, Halter & Griswold LLP

[21] Appl. No.: **29/102,715**

[57] CLAIM

[22] Filed: **Mar. 30, 1999**

The ornamental design for a handle of a valve, as shown and described.

Related U.S. Application Data

DESCRIPTION

[63] Continuation of application No. 29/069,470, Apr. 2, 1997, Pat. No. Des. 407,799.

[51] **LOC (6) Cl. 23-01**

[52] **U.S. Cl. D23/249; D23/245**

[58] **Field of Search D23/233, 235,
D23/245-248, 249-251; 137/383, 384.2;
D8/107, DIG. 2**

FIG. 1 is a perspective view of the handle of a valve taken from the upper left side with the handle being shown in an upright position;

FIG. 2 is a perspective view similar to FIG. 1 except taken from the upper right side and showing the handle in a lowered position;

FIG. 3 is a left side elevational view thereof with the lock removed and the handle in a lowered position;

FIG. 4 is a right side elevational view thereof with the lock removed and the handle in a lowered position;

FIG. 5 is a rear elevational view thereof with the lock removed and the handle in a lowered position;

FIG. 6 is a front elevational view thereof with the lock removed and the handle in a lowered position;

FIG. 7 is a top plan view thereof with the lock removed and the handle in a lowered position; and,

FIG. 8 is a bottom plan view thereof with the lock removed and the handle in a lowered position.

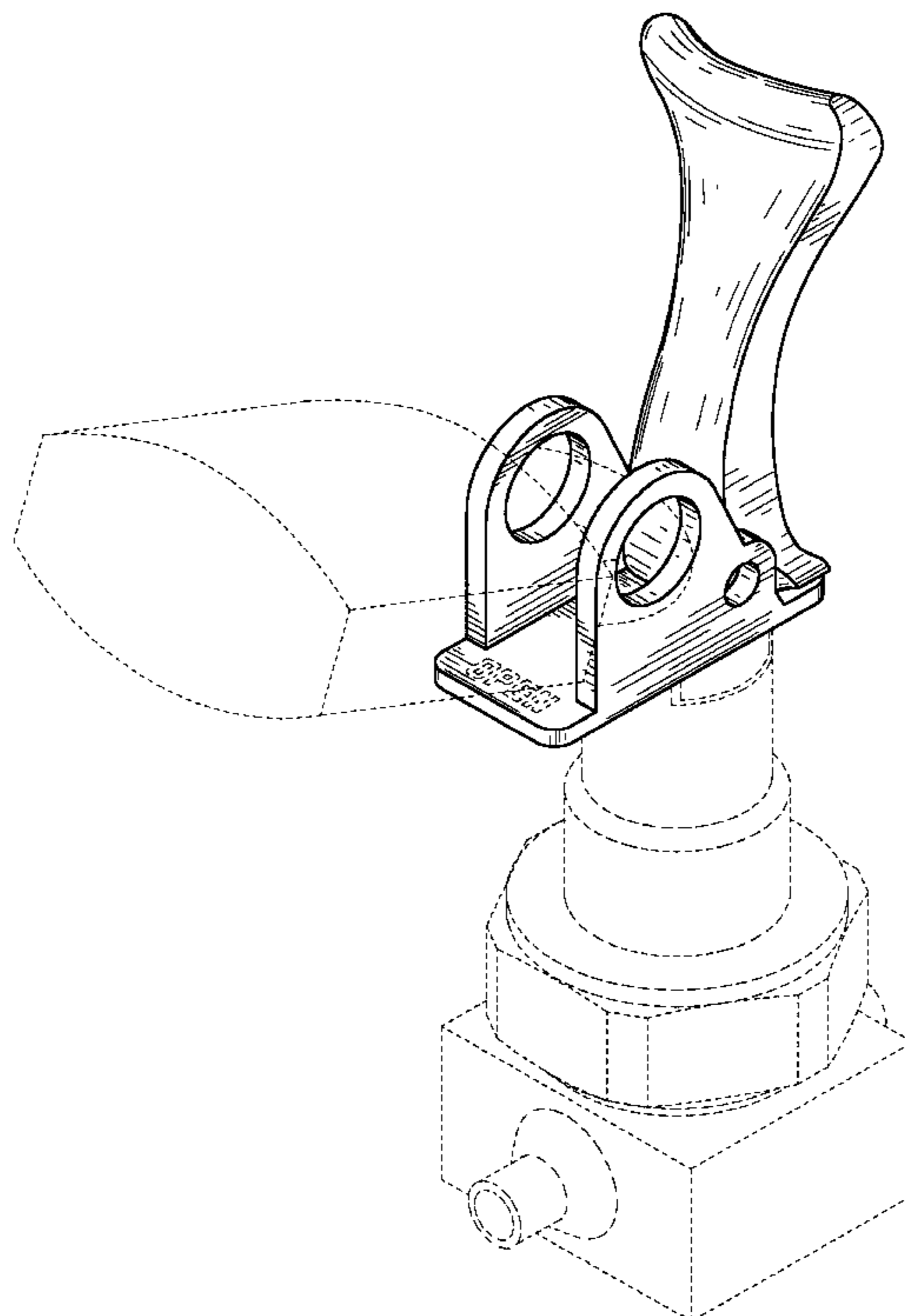
The broken line showing is for illustrative purposes only and forms no part of the claimed design.

[56] References Cited

U.S. PATENT DOCUMENTS

D. 189,904 3/1961 Seltsam .
D. 205,827 9/1966 Plagenberg .
D. 378,400 3/1997 Kowalics .
D. 407,799 4/1999 Kitchen .
1,683,649 9/1928 Belote .
2,592,816 4/1952 Mapes .
2,648,517 8/1953 Berland et al. 137/383
2,661,765 12/1953 Troy .
3,504,694 4/1970 Noland 137/383
4,208,033 6/1980 Kesterman .
5,092,359 3/1992 Wirth et al. 137/383
5,131,627 7/1992 Kolenc .

1 Claim, 6 Drawing Sheets



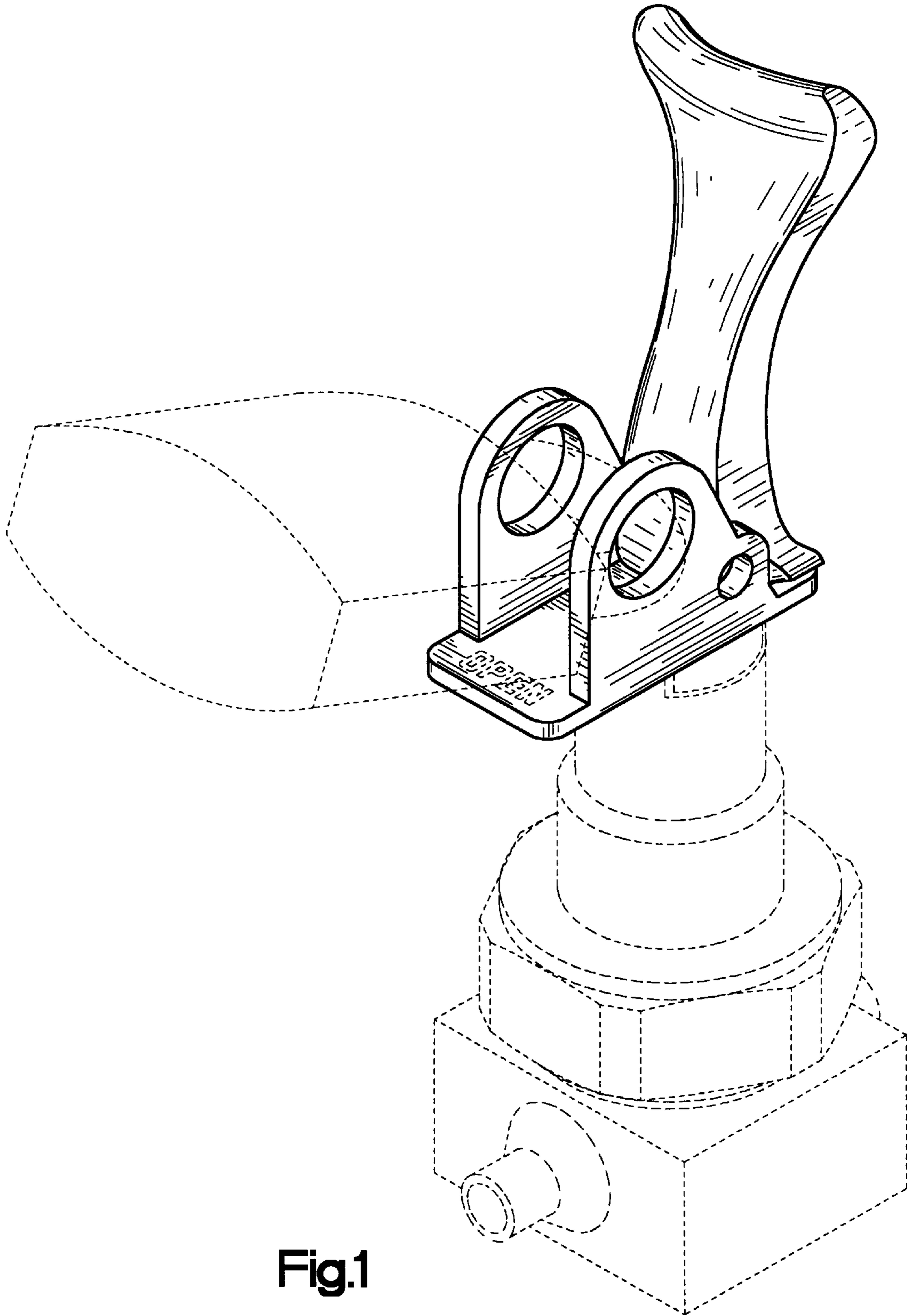


Fig.1

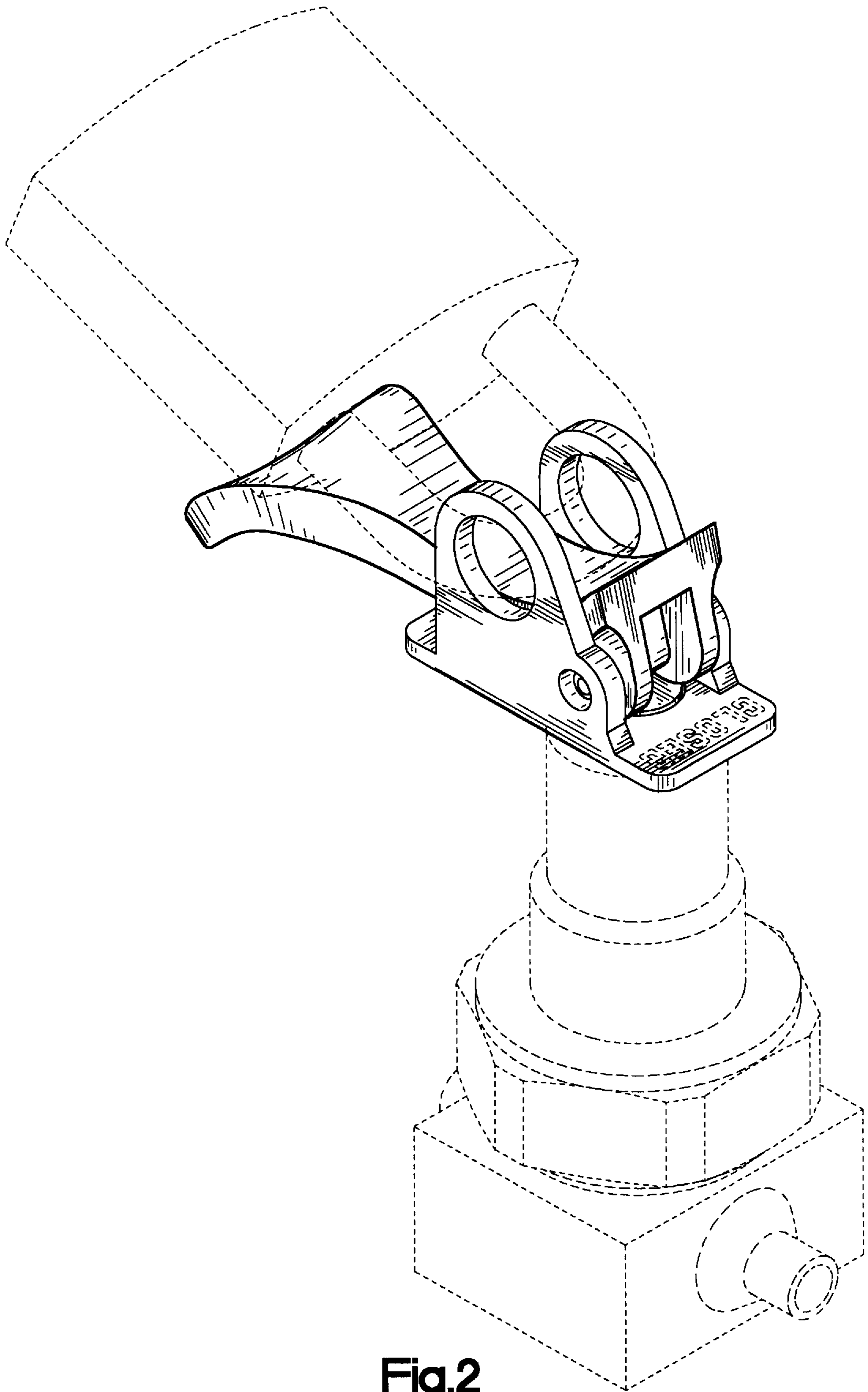


Fig.2

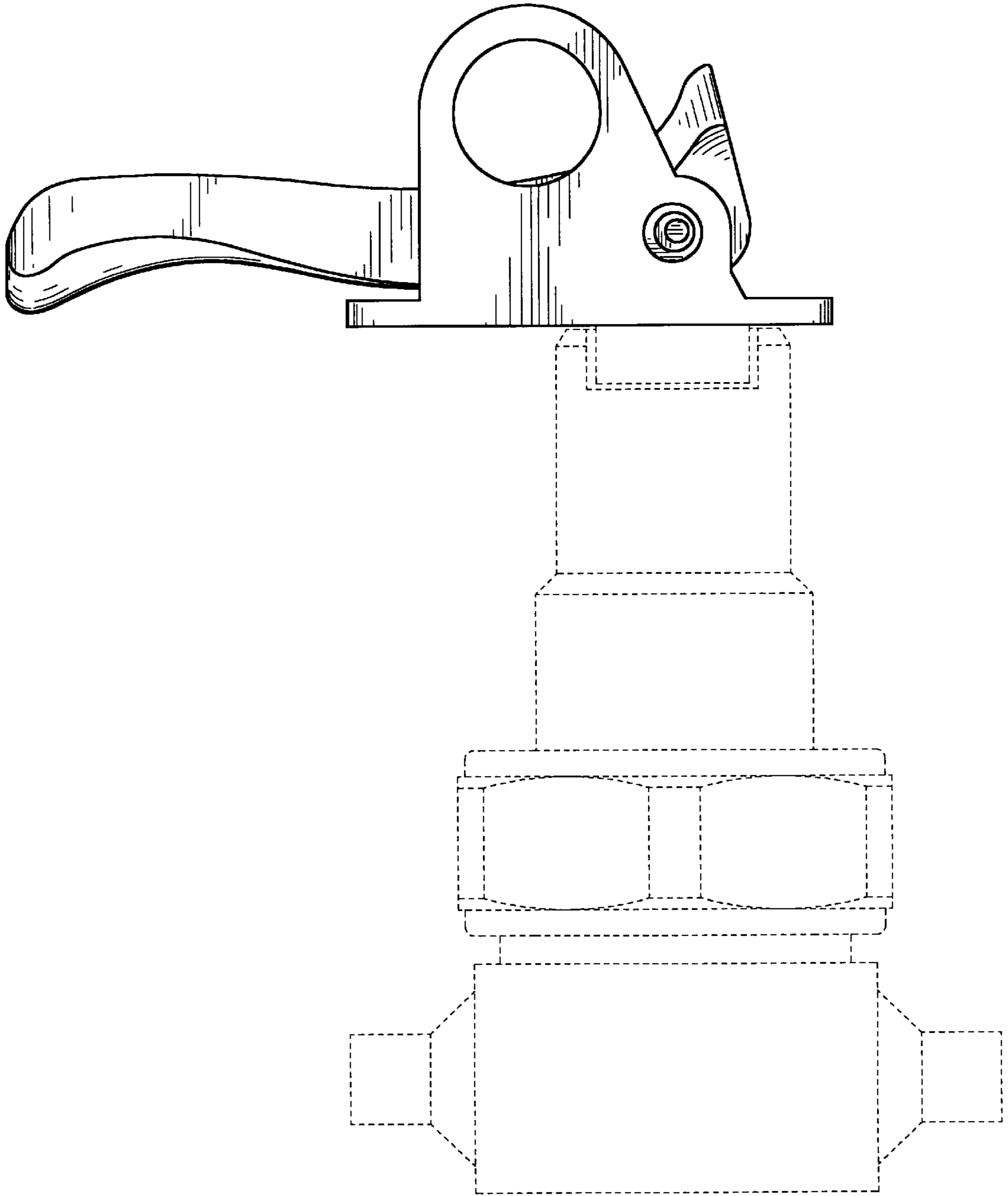


Fig.3

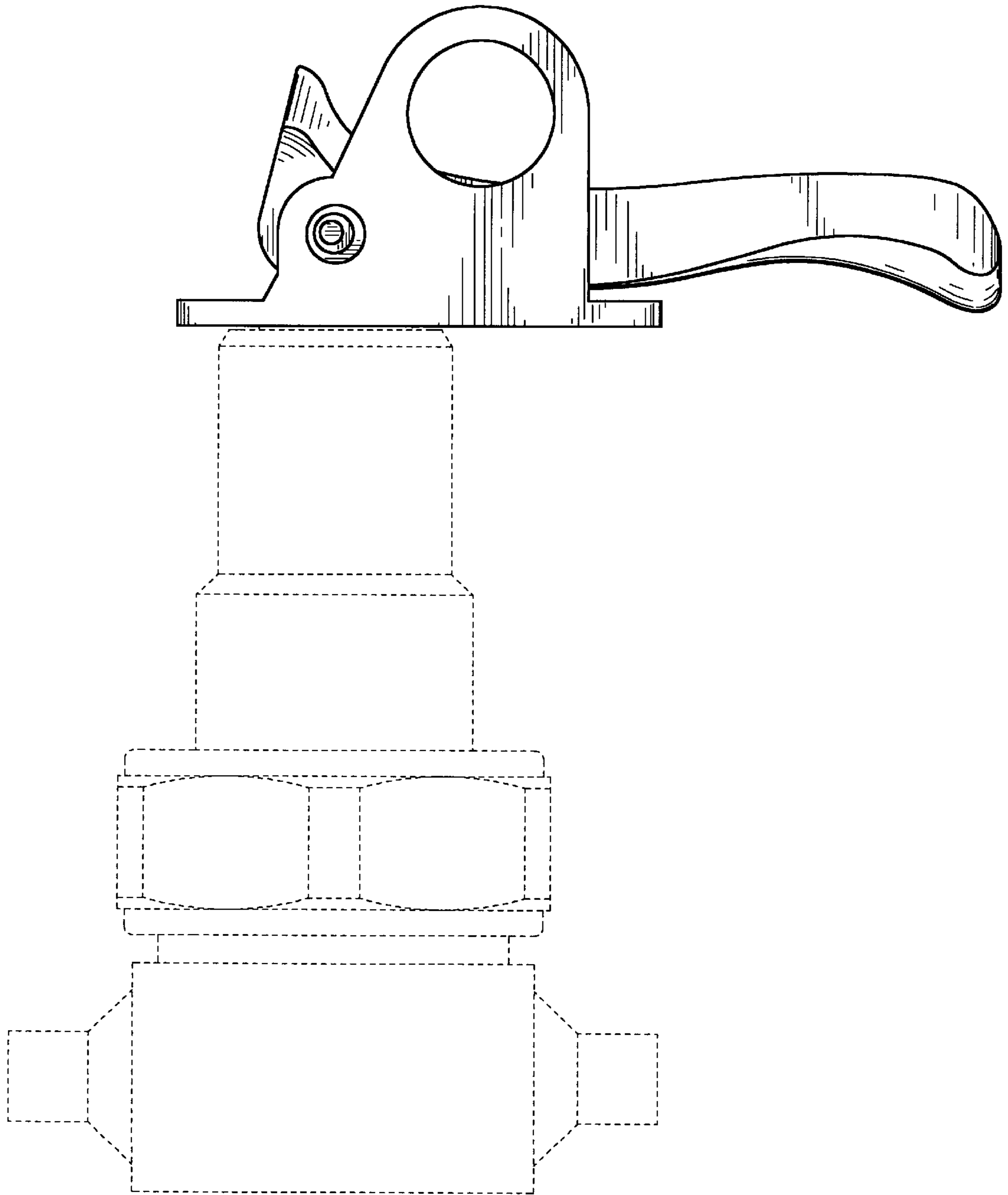


Fig.4

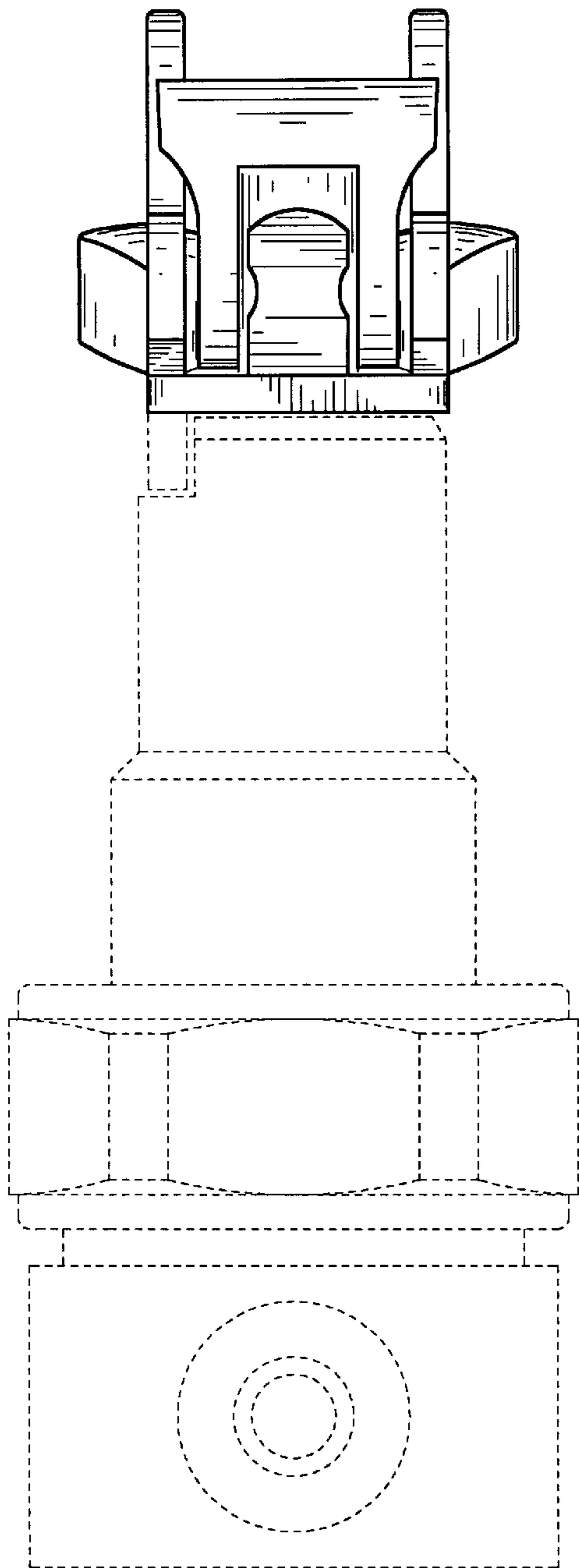


Fig.5

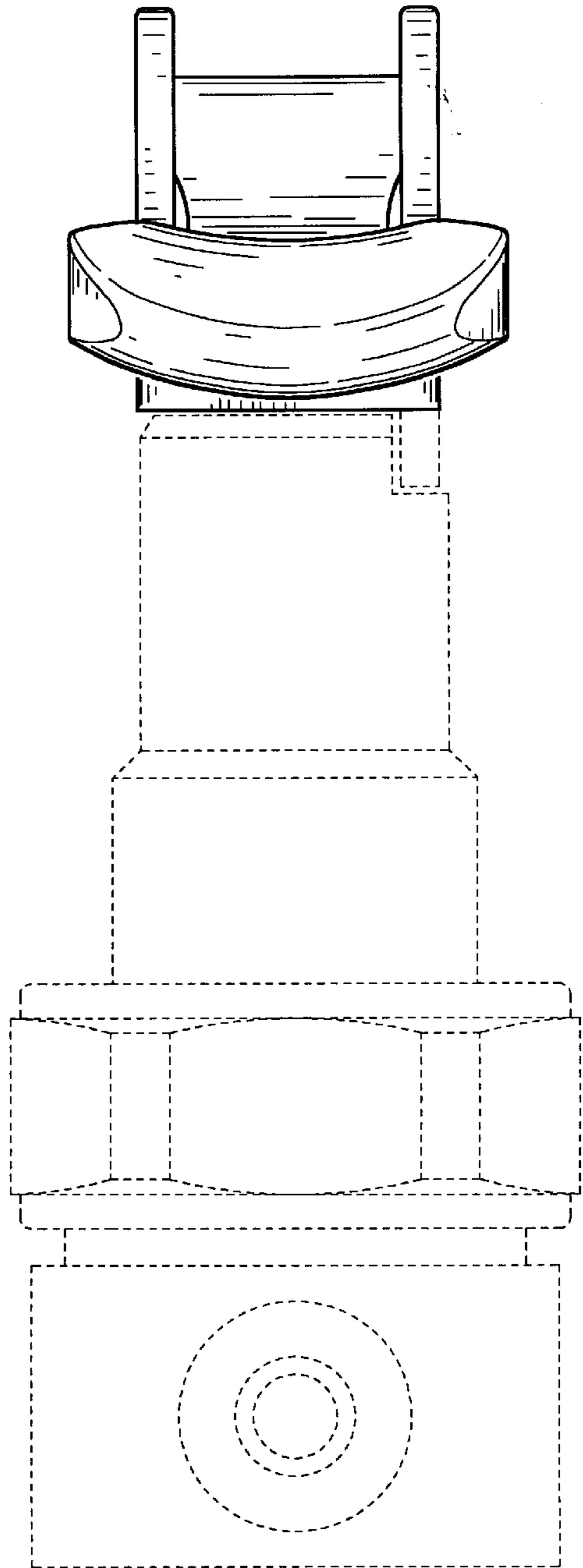


Fig.6

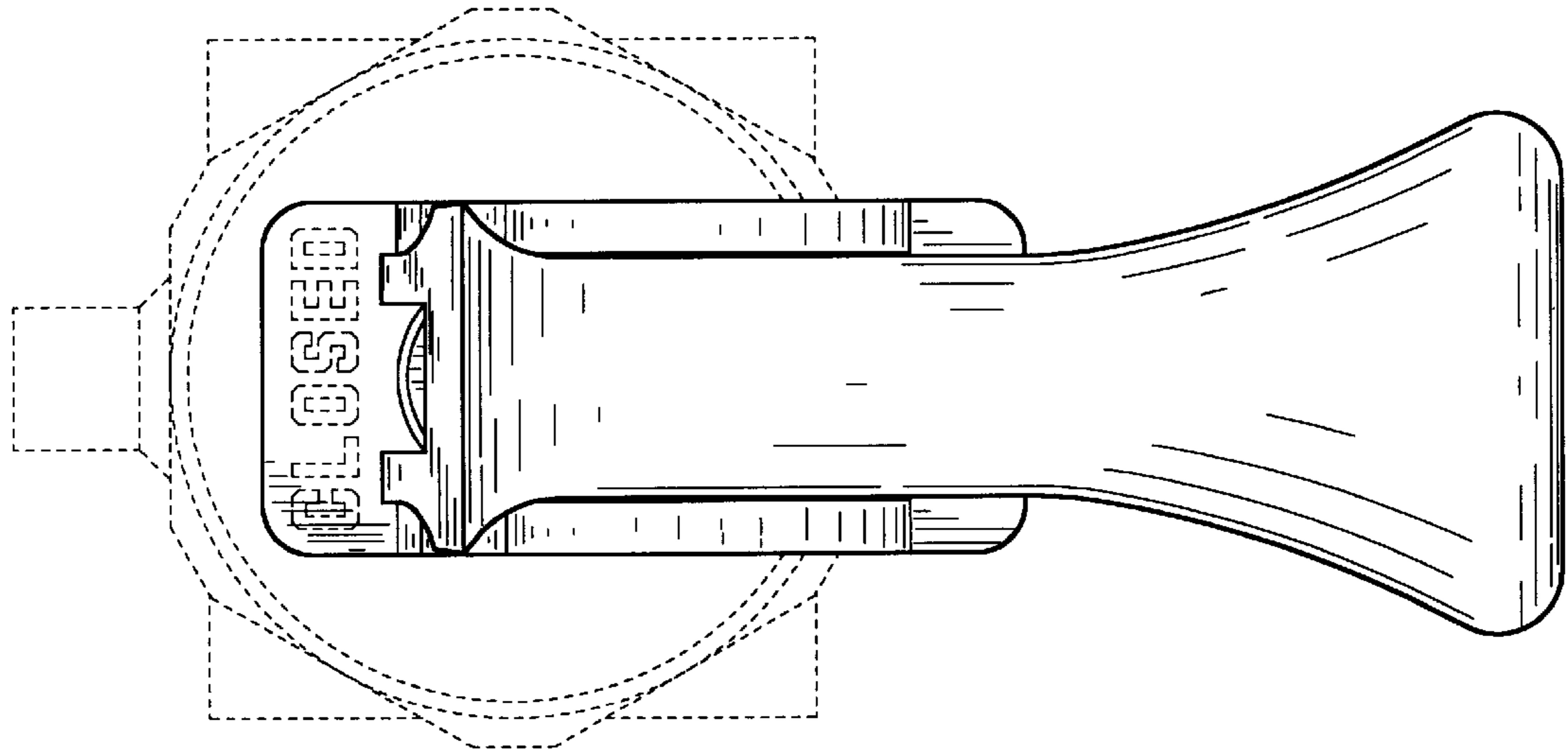


Fig.7

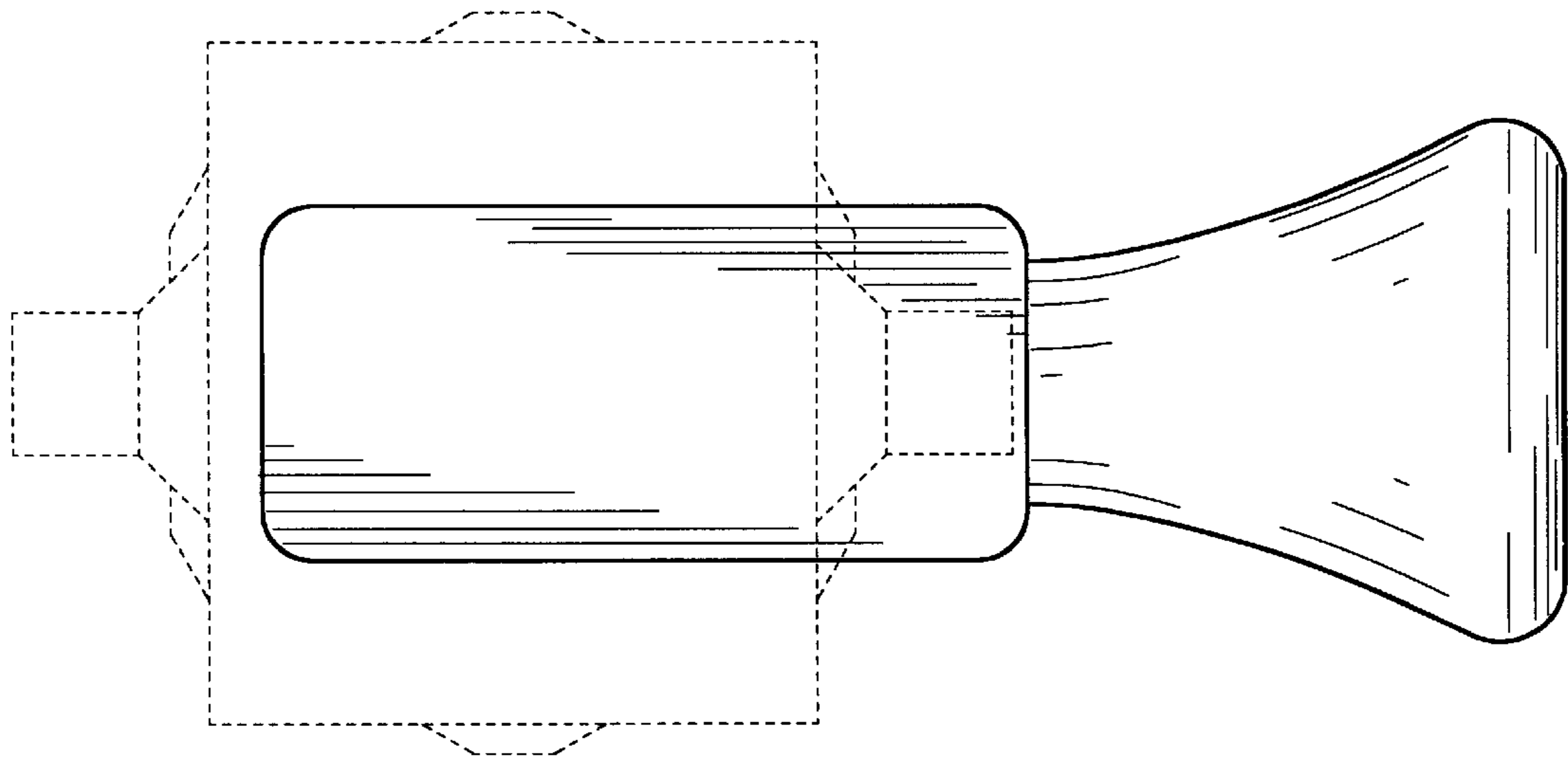


Fig.8