



US00D416980S

United States Patent [19]
Sato et al.

[11] **Patent Number: Des. 416,980**

[45] **Date of Patent: ** Nov. 23, 1999**

[54] **SUPPLY AND EXHAUST BLOCK FOR MANIFOLD SOLENOID VALVE**

[75] Inventors: **Hideharu Sato; Takumi Matsumoto,**
both of Tsukuba-gun, Japan

[73] Assignee: **SMC Corporation,** Tokyo, Japan

[**] Term: **14 Years**

[21] Appl. No.: **29/094,743**

[22] Filed: **Oct. 9, 1998**

[30] **Foreign Application Priority Data**

Apr. 13, 1998 [JP] Japan 10-10523

[51] **LOC (6) Cl.** **23-01**

[52] **U.S. Cl.** **D23/233**

[58] **Field of Search** D23/233-237,
D23/245; 137/596.13, 596.16, 884, 625.64

[56] **References Cited**

U.S. PATENT DOCUMENTS

D. 200,454	2/1965	Everitt	D23/233
D. 246,908	1/1978	Fetty	D23/233
D. 390,636	2/1998	Hayashi et al.	D23/233
4,856,560	8/1989	Neff et al.	137/884
4,889,164	12/1989	Hozumi et al.	137/624.64
5,437,306	8/1995	Asou et al.	137/625.64
5,555,911	9/1996	Fukano et al.	137/625.64
5,699,834	12/1997	Hayashi et al.	137/884

OTHER PUBLICATIONS

The design of the present application was displayed at IFPEX '87 Exhibition—Oct. 21–24, 1997. IFPEX '97 Catalogue, issued on Oct. 13, 1997.

Primary Examiner—Robin V. Taylor
Attorney, Agent, or Firm—Oblon, Spivak, McClelland, Maier & Neustadt, P.C.

[57] **CLAIM**

The ornamental design for supply and exhaust block for manifold solenoid valve, as shown and described.

DESCRIPTION

FIG. 1 is a top, front and left side perspective view of supply and exhaust block for Manifold solenoid valve embodying our new design;

FIG. 2 is a bottom, rear and right side perspective view thereof;

FIG. 3 is a front elevational view thereof;

FIG. 4 is a rear elevational view thereof;

FIG. 5 is a top plan view thereof;

FIG. 6 is a bottom plan view thereof;

FIG. 7 is a right side view thereof;

FIG. 8 is a left side view thereof; and,

FIG. 9 is a top, front and left side view thereof when in use with a manifold solenoid valve.

The manifold solenoid valve shown in broken lines in FIG. 9 is shown for illustrative purposes and forms no part of the claimed design.

1 Claim, 3 Drawing Sheets

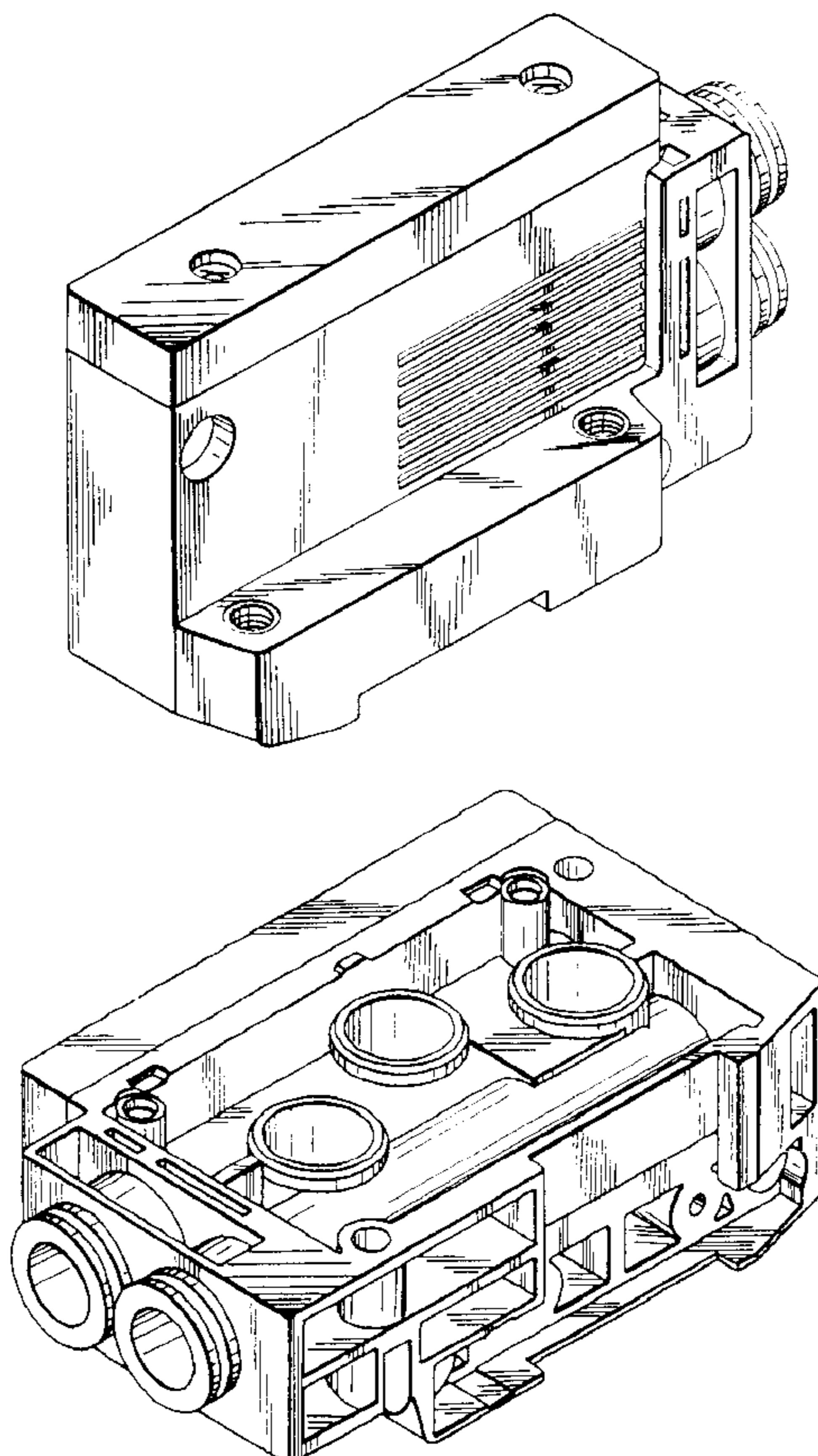


FIG. 2

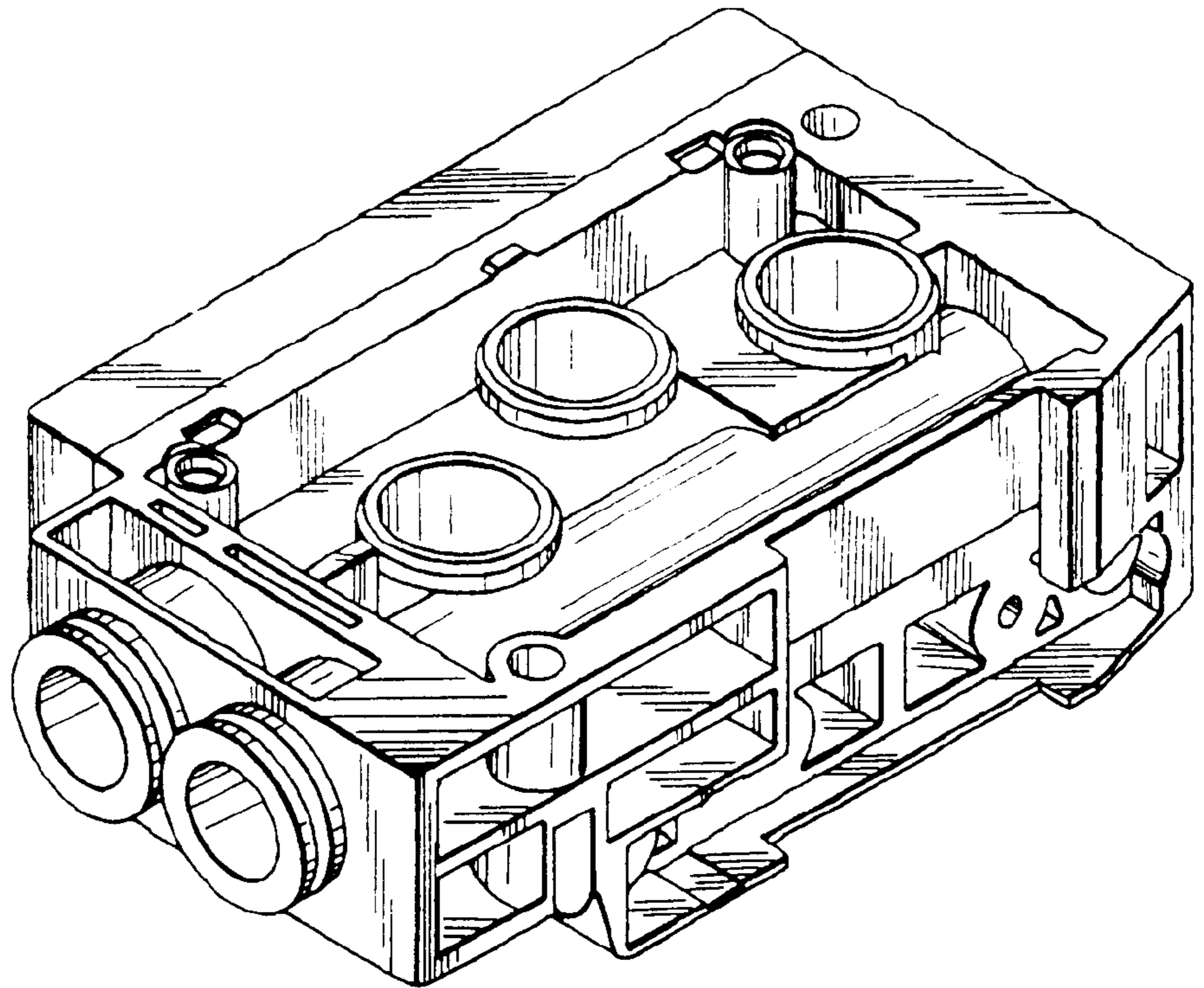
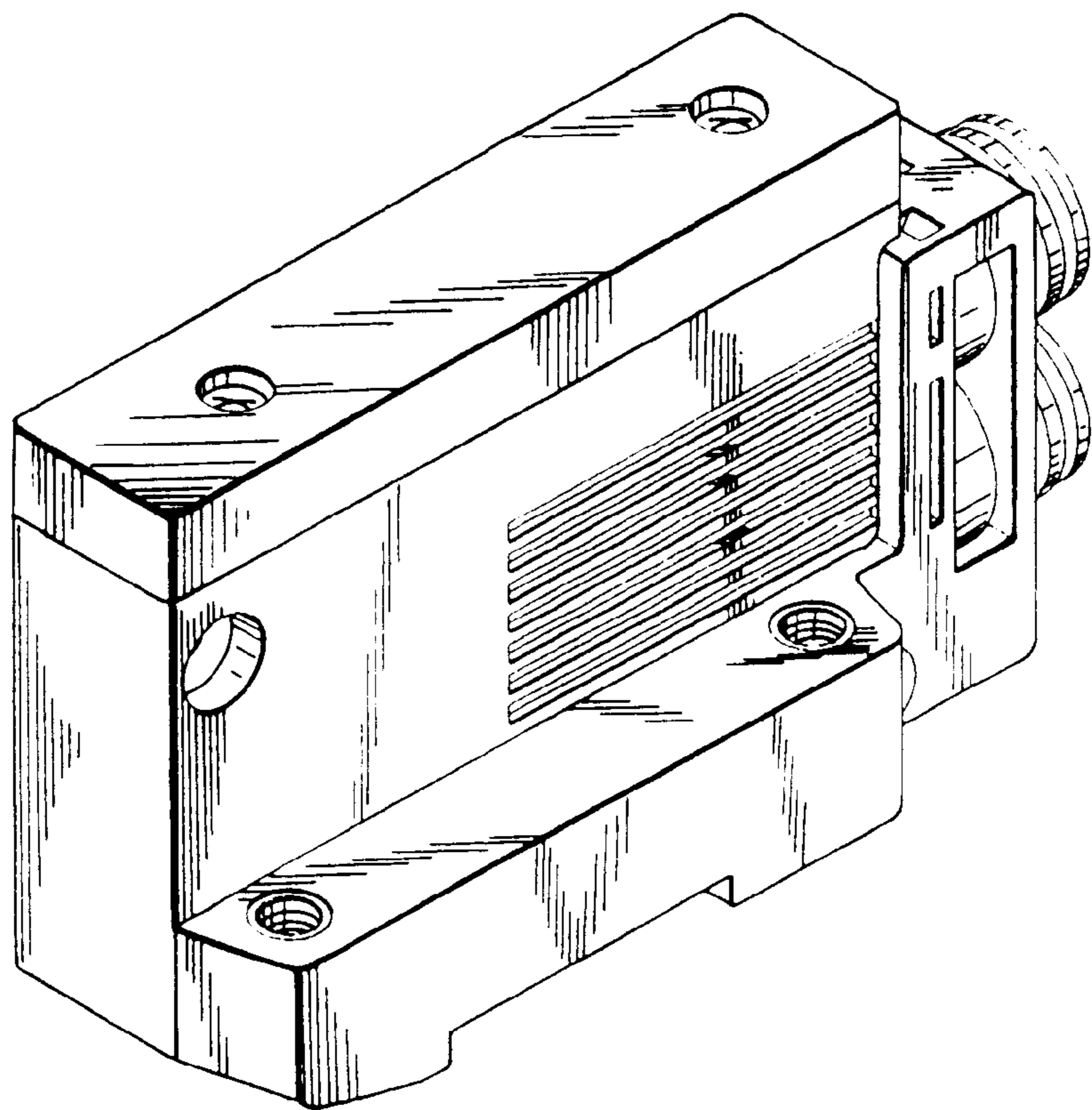


FIG. 1



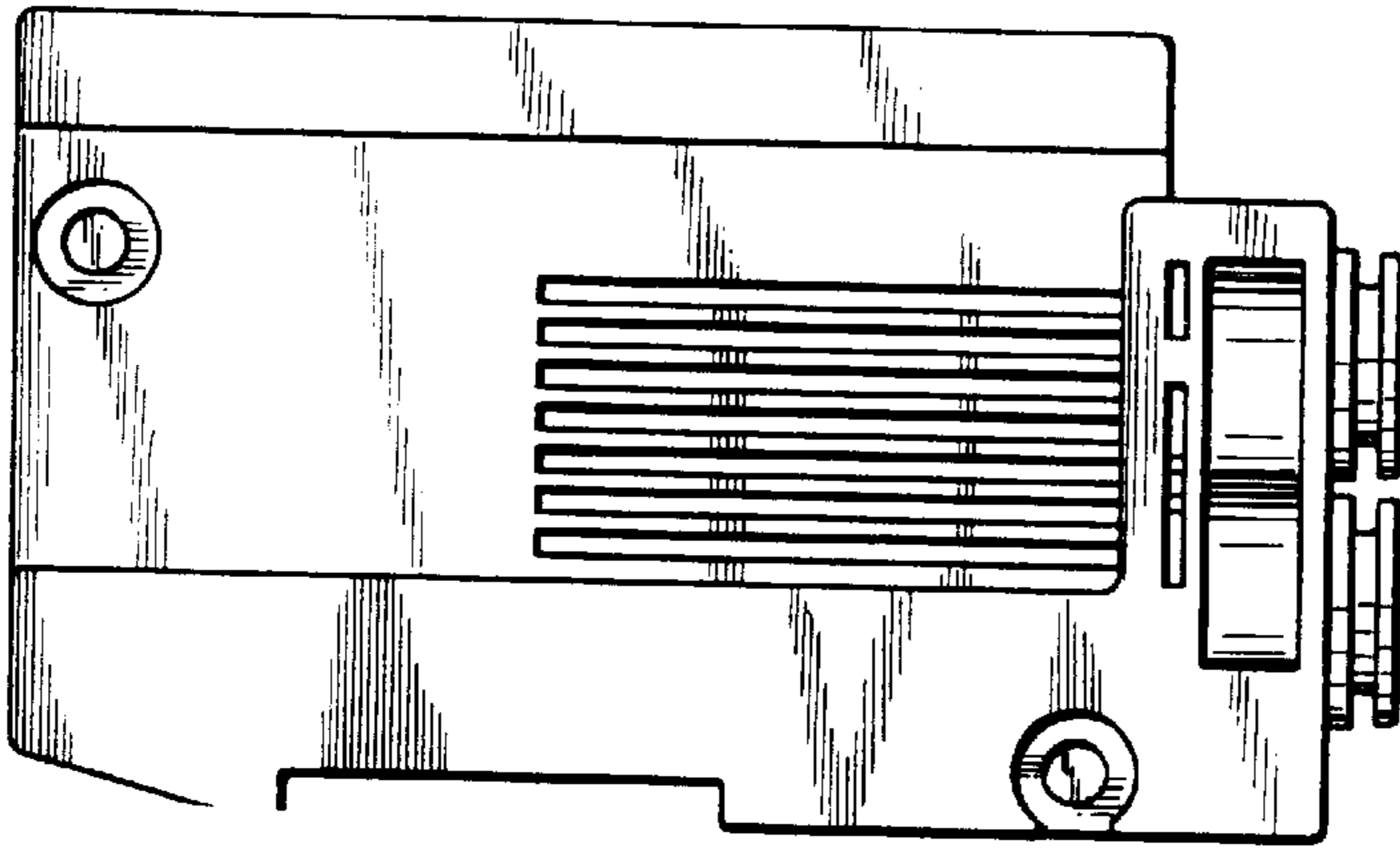


FIG. 3

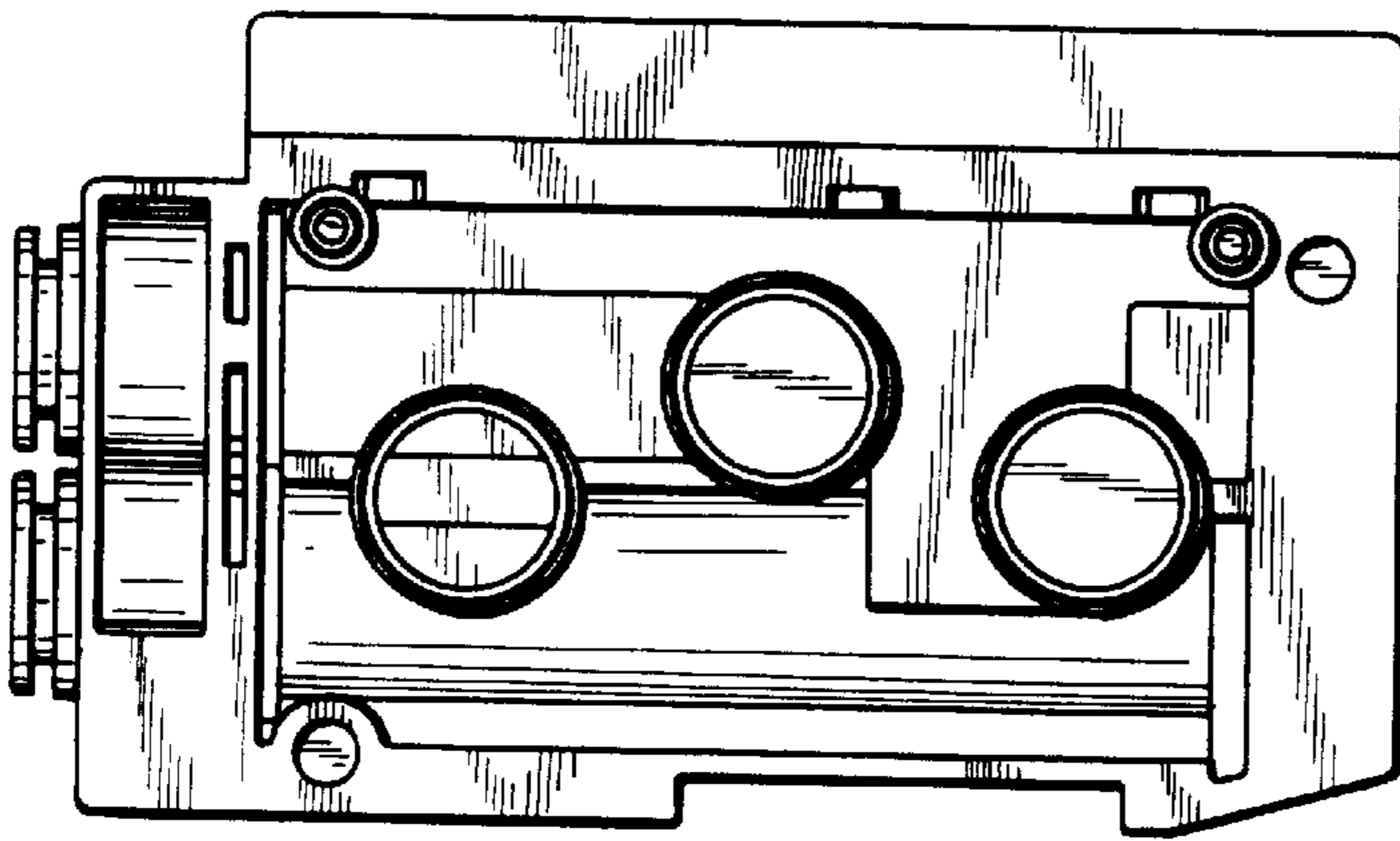


FIG. 4

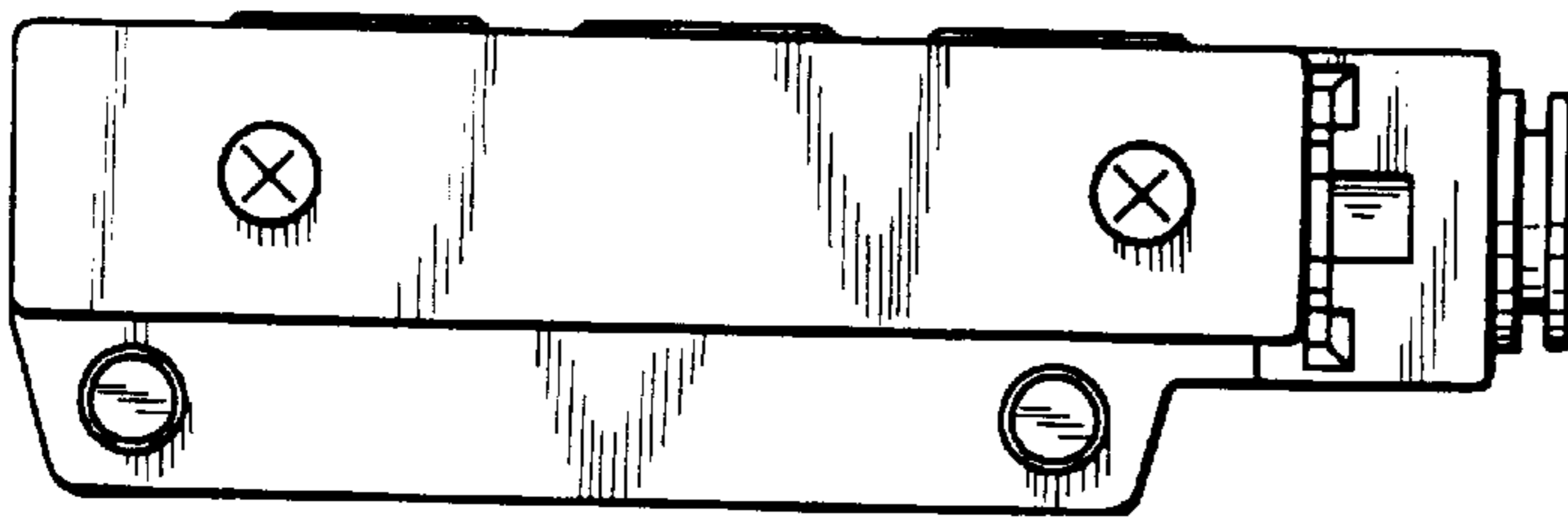


FIG. 5

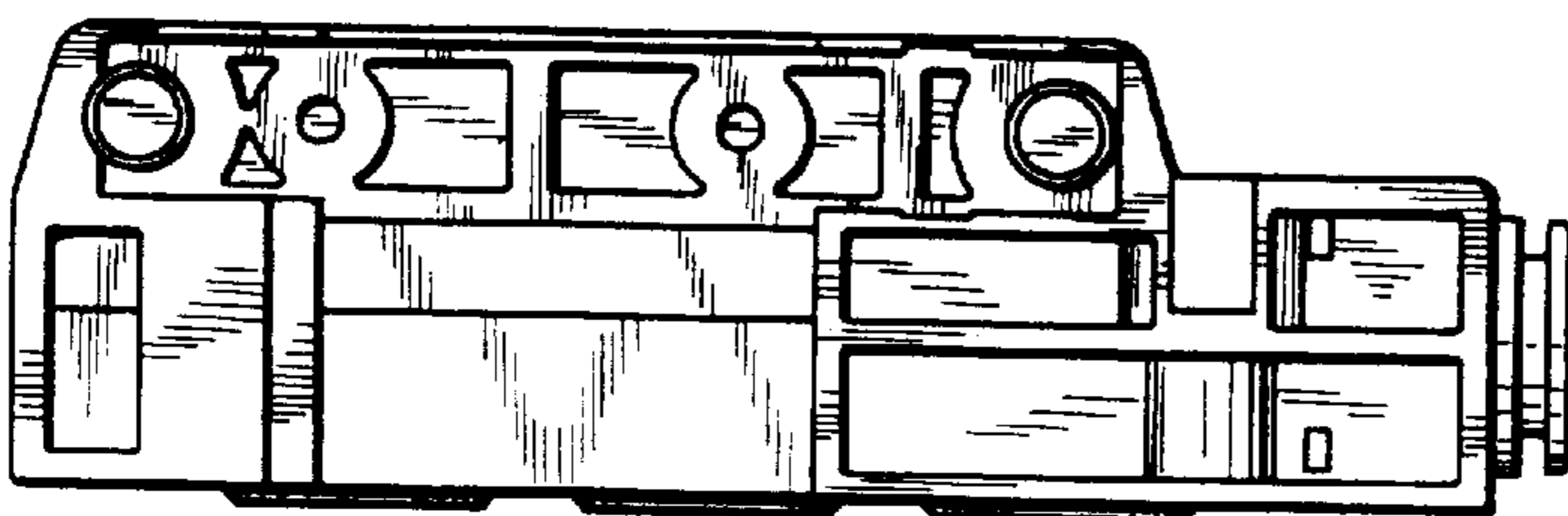


FIG. 6

FIG. 7

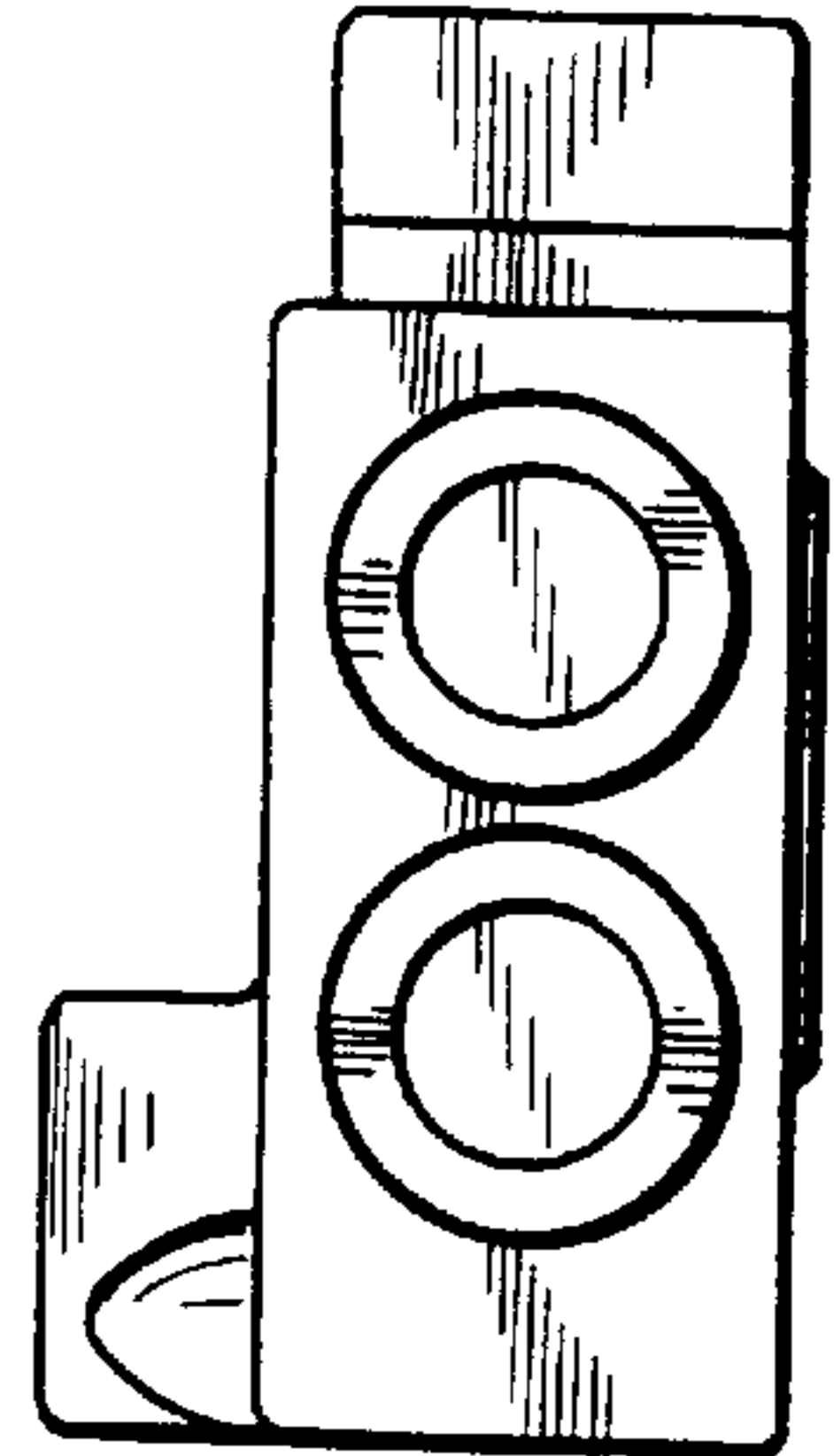
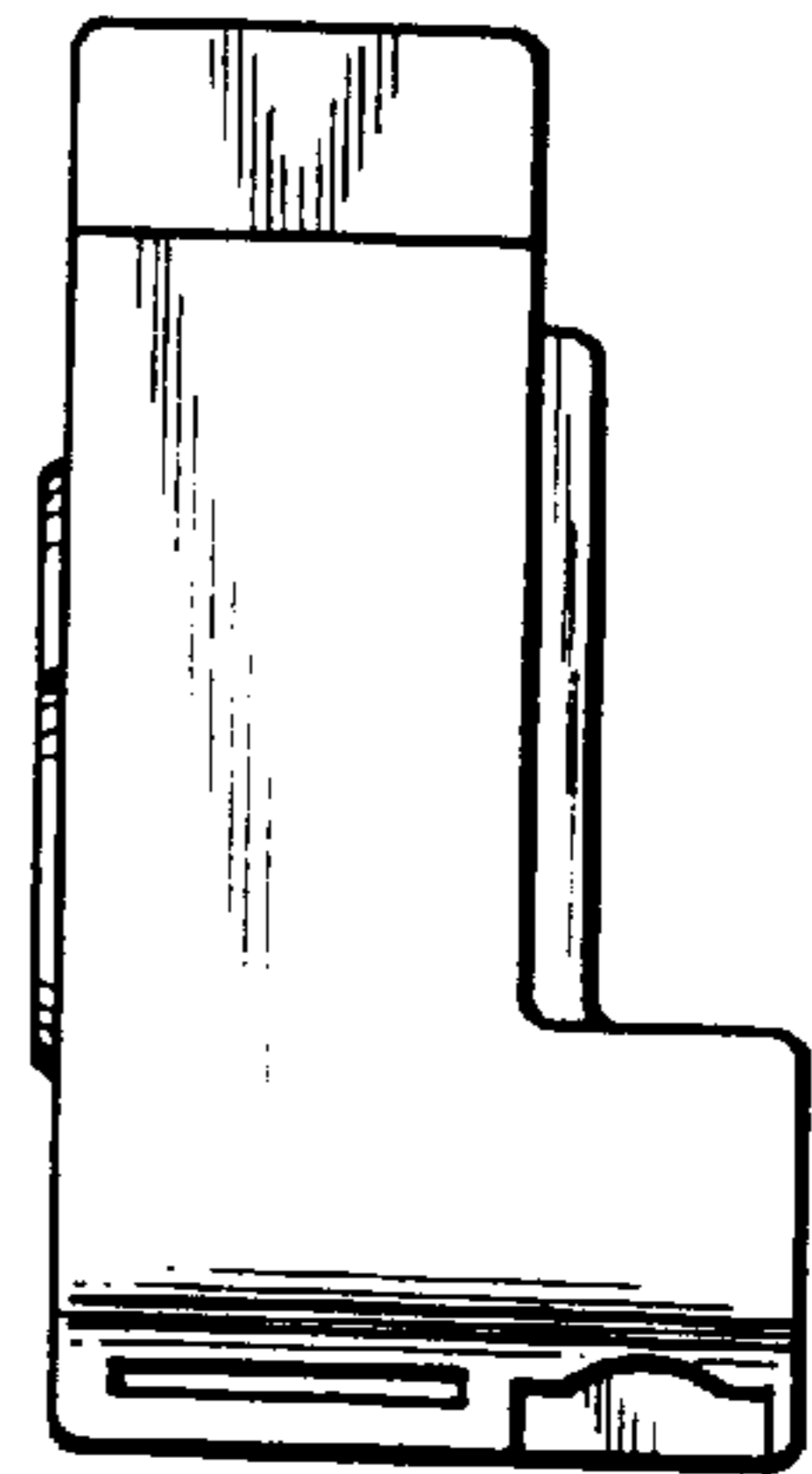


FIG. 8



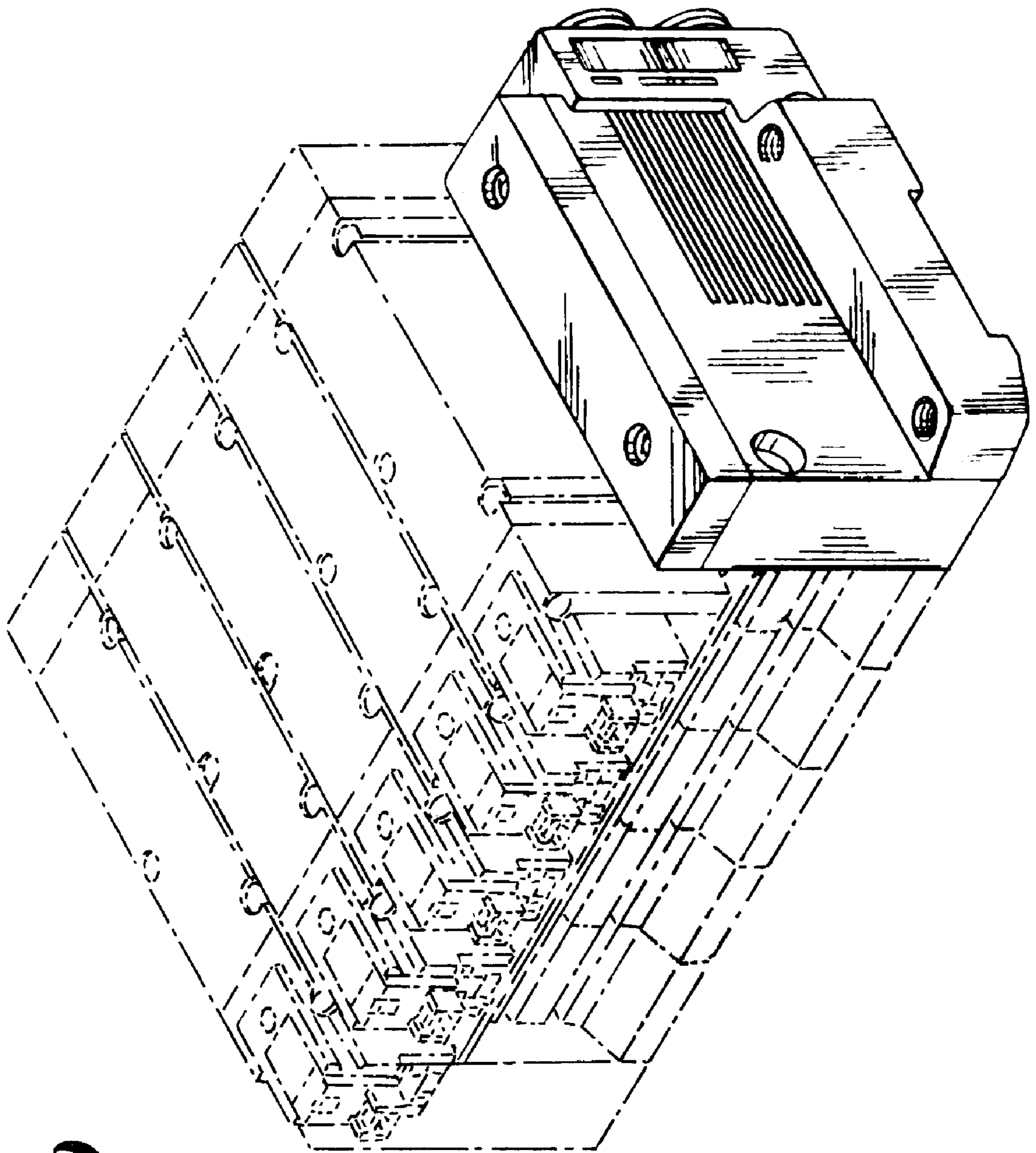


FIG. 9