



US00D416974S

# United States Patent [19] Birdsall

[11] **Patent Number: Des. 416,974**

[45] **Date of Patent: \*\* Nov. 23, 1999**

[54] **FISHING GAFF HOLDER**

[76] Inventor: **Robert Birdsall**, 530 Nottingham Blvd., West Palm Beach, Fla. 33405

[\*\*] Term: **14 Years**

[21] Appl. No.: **29/088,216**

[22] Filed: **May 18, 1998**

[51] **LOC (6) Cl. .... 22-05**

[52] **U.S. Cl. .... D22/144**

[58] **Field of Search** ..... 43/57.1, 25.2,  
43/43.15; D22/149, 199, 144, 134

[56] **References Cited**

**U.S. PATENT DOCUMENTS**

D. 152,595	2/1949	Cederblad	.....	D22/149
2,966,001	12/1960	Sader	.....	43/57.1
3,141,258	7/1964	Mayer	.....	43/57.1
4,796,380	1/1989	Beese	.....	43/57.1

*Primary Examiner*—Louis S. Zarfes  
*Assistant Examiner*—Inga-Maria Hyttinen  
*Attorney, Agent, or Firm*—McHale & Slavin PA

[57] **CLAIM**

The ornamental design for a fishing gaff holder, as shown and described.

**DESCRIPTION**

FIG. 1 is a perspective view of the fishing gaff holder in closed condition, it being understood that the broken lines are for illustrative purposes only and form no part of the claimed design;

FIG. 2 is a front view thereof in open condition;

FIG. 3 is a rear view of FIG. 2;

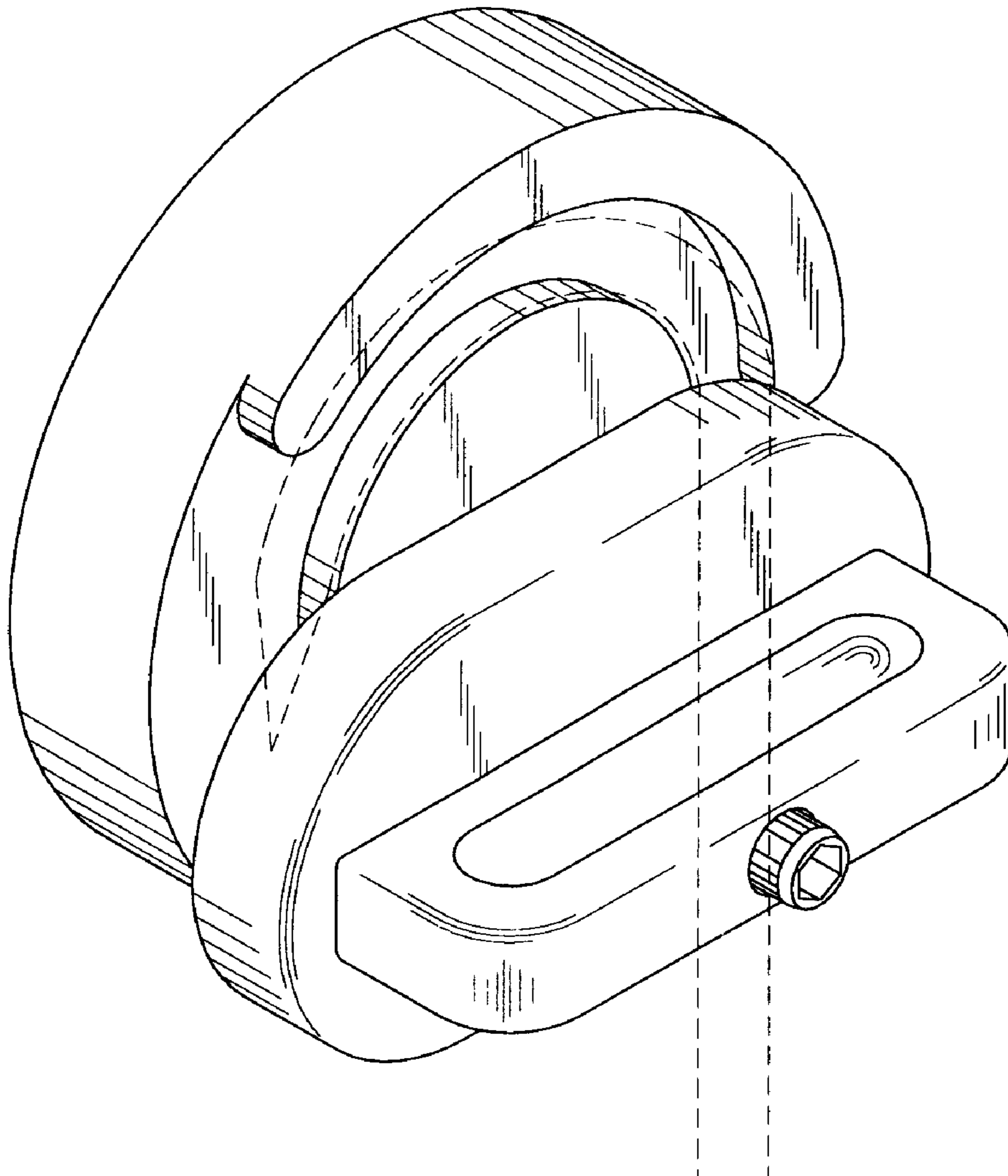
FIG. 4 is a right side view of FIG. 2;

FIG. 5 is a left side view of FIG. 2;

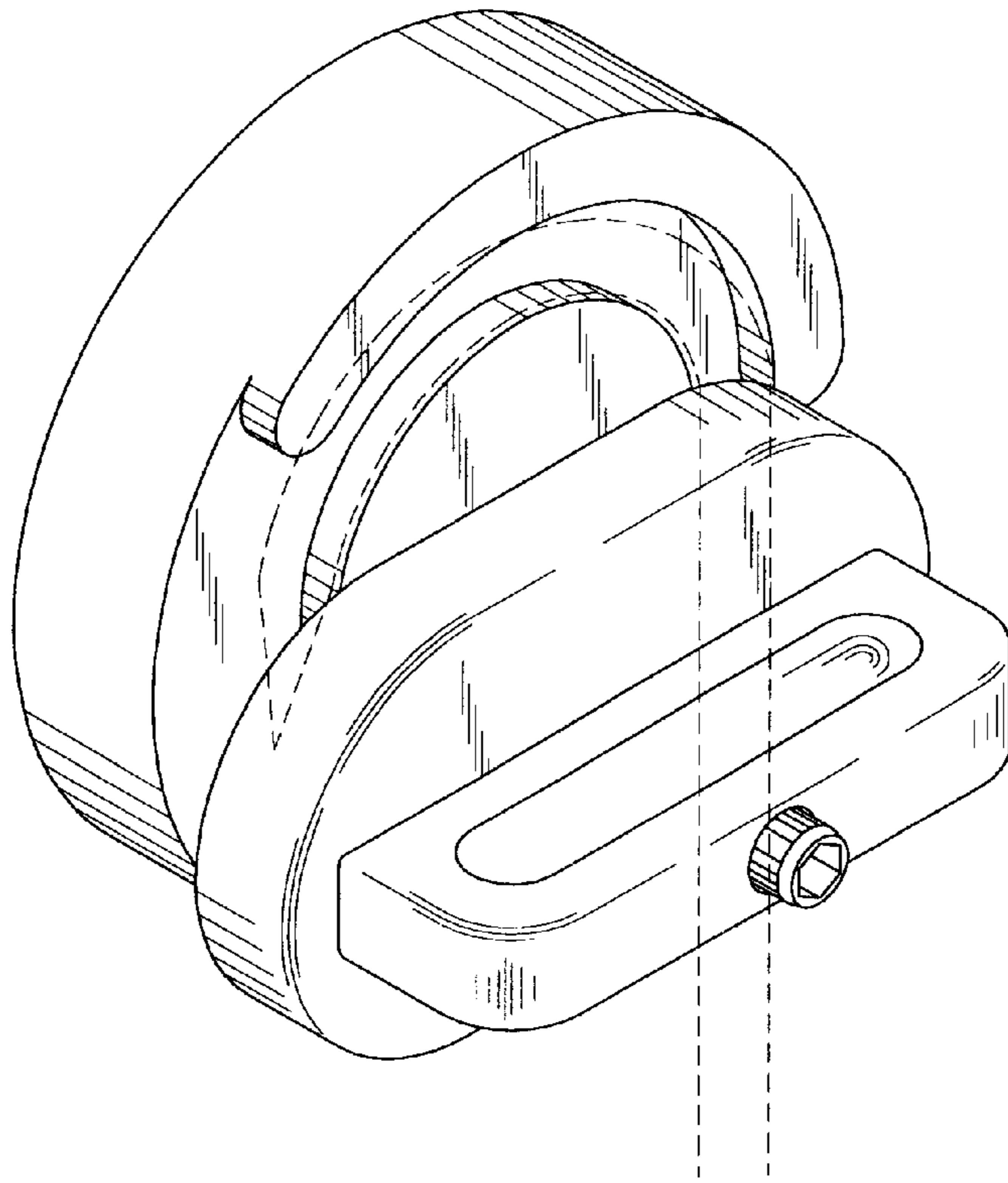
FIG. 6 is a top view of FIG. 2; and,

FIG. 7 is a bottom view of FIG. 2.

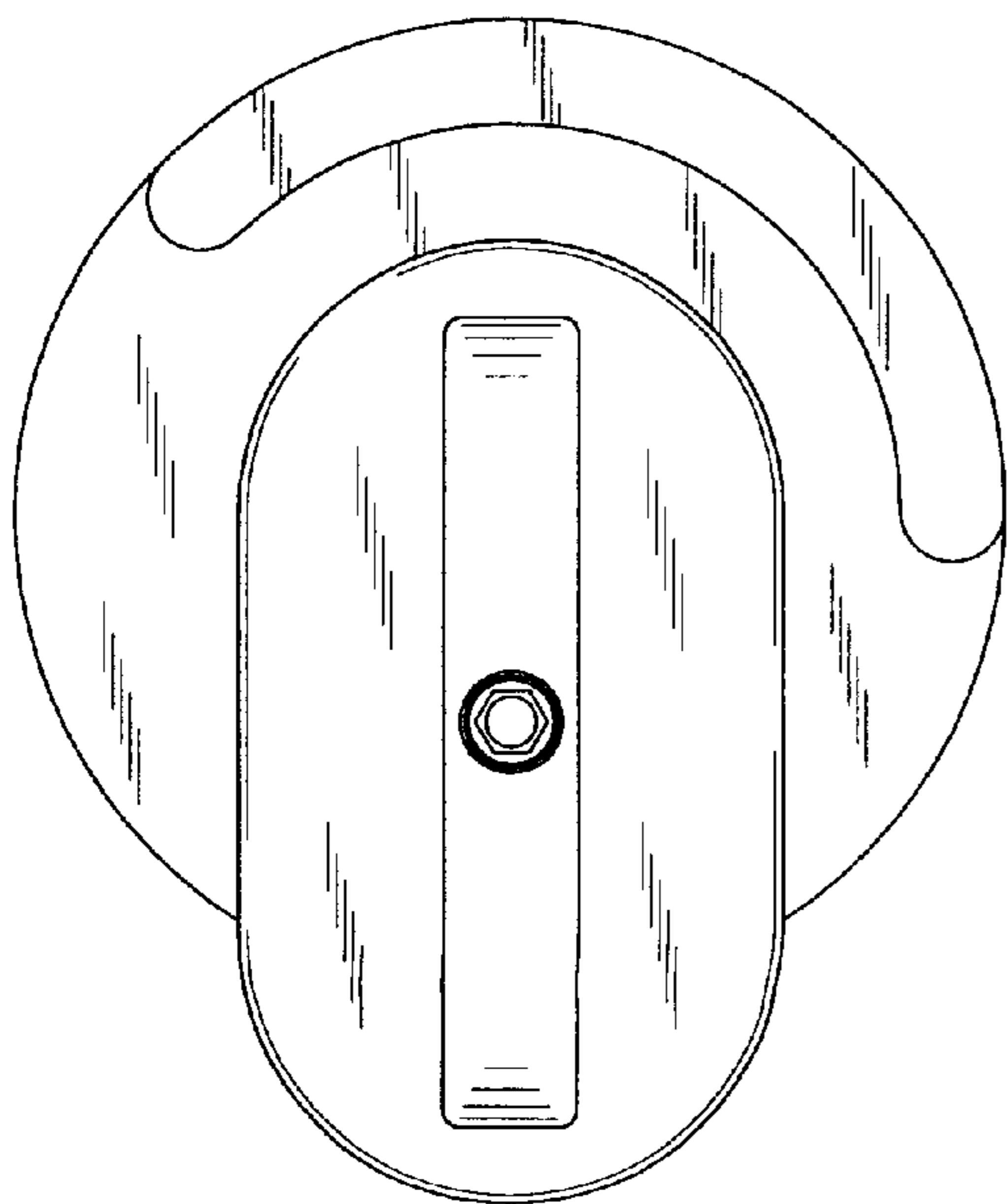
**1 Claim, 2 Drawing Sheets**



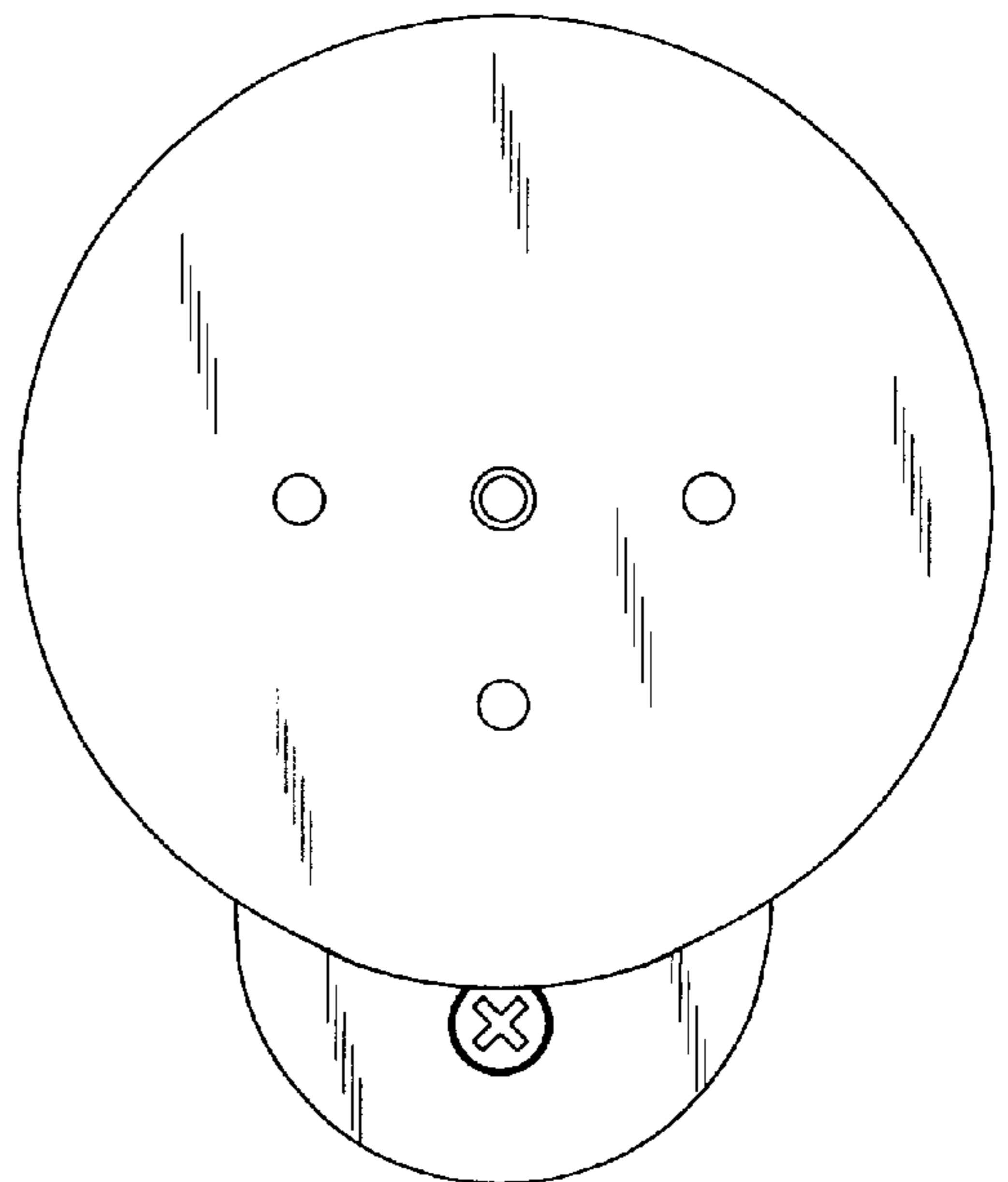
*FIG. 1*



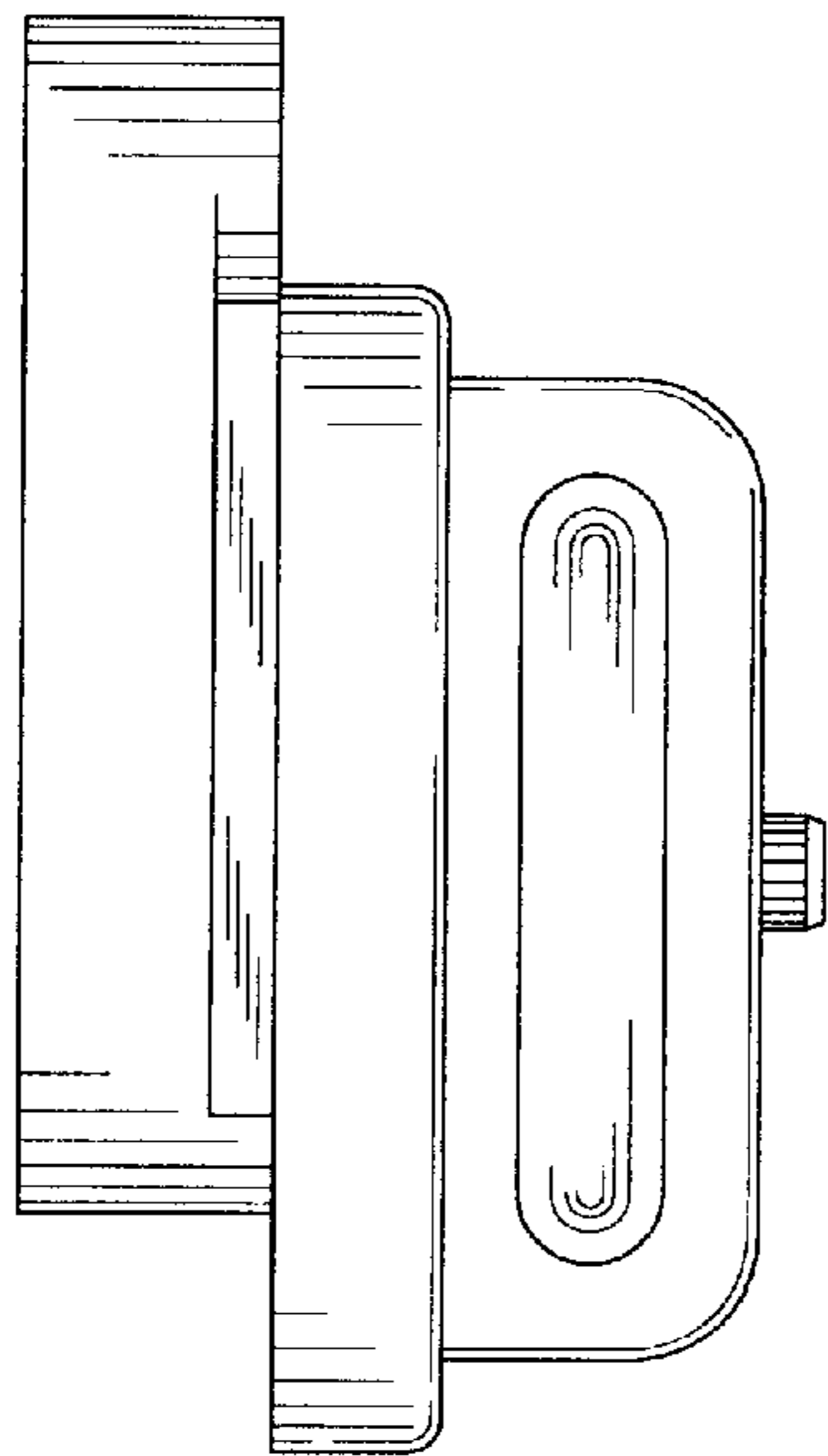
*FIG. 2*



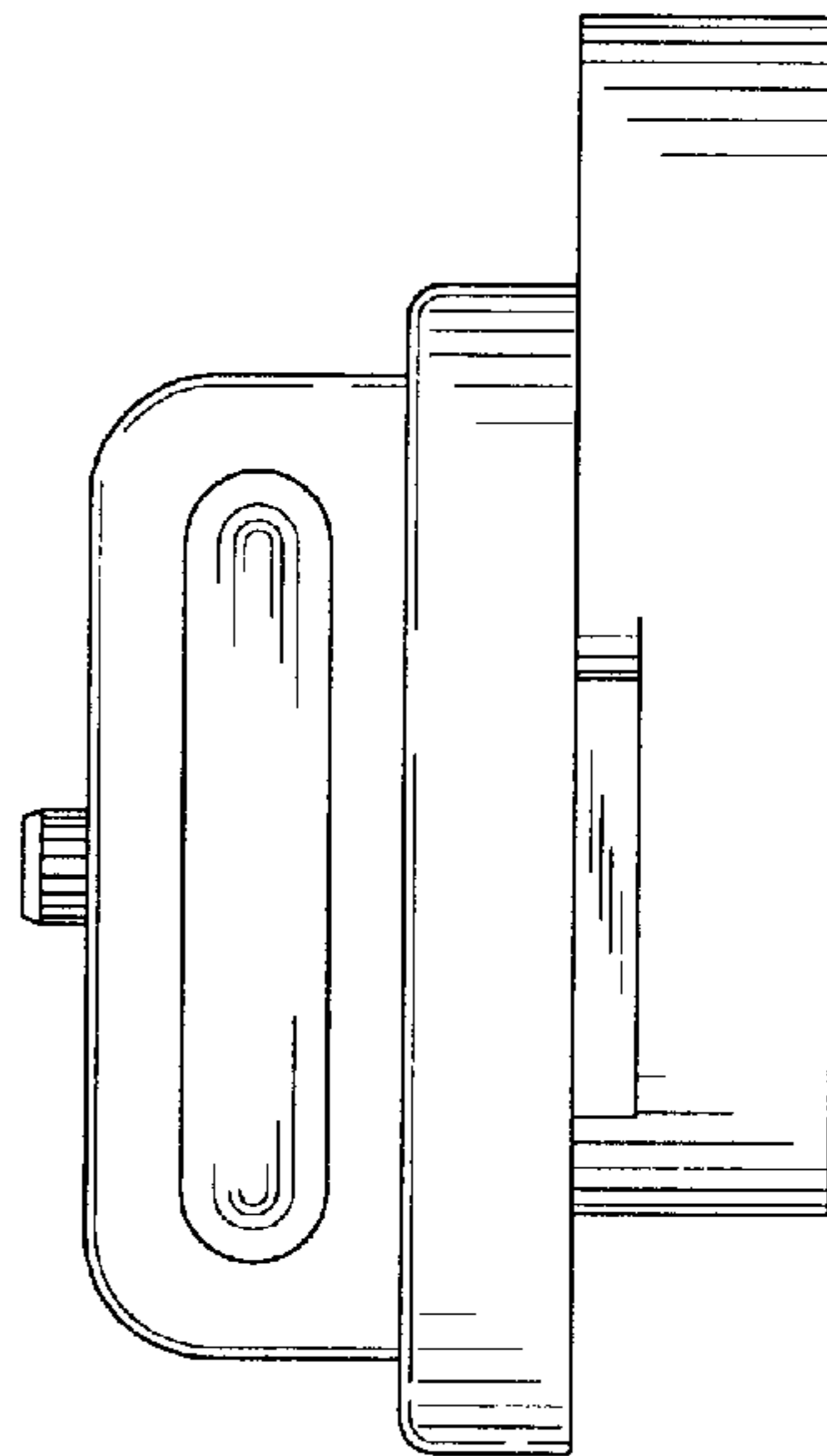
*FIG. 3*



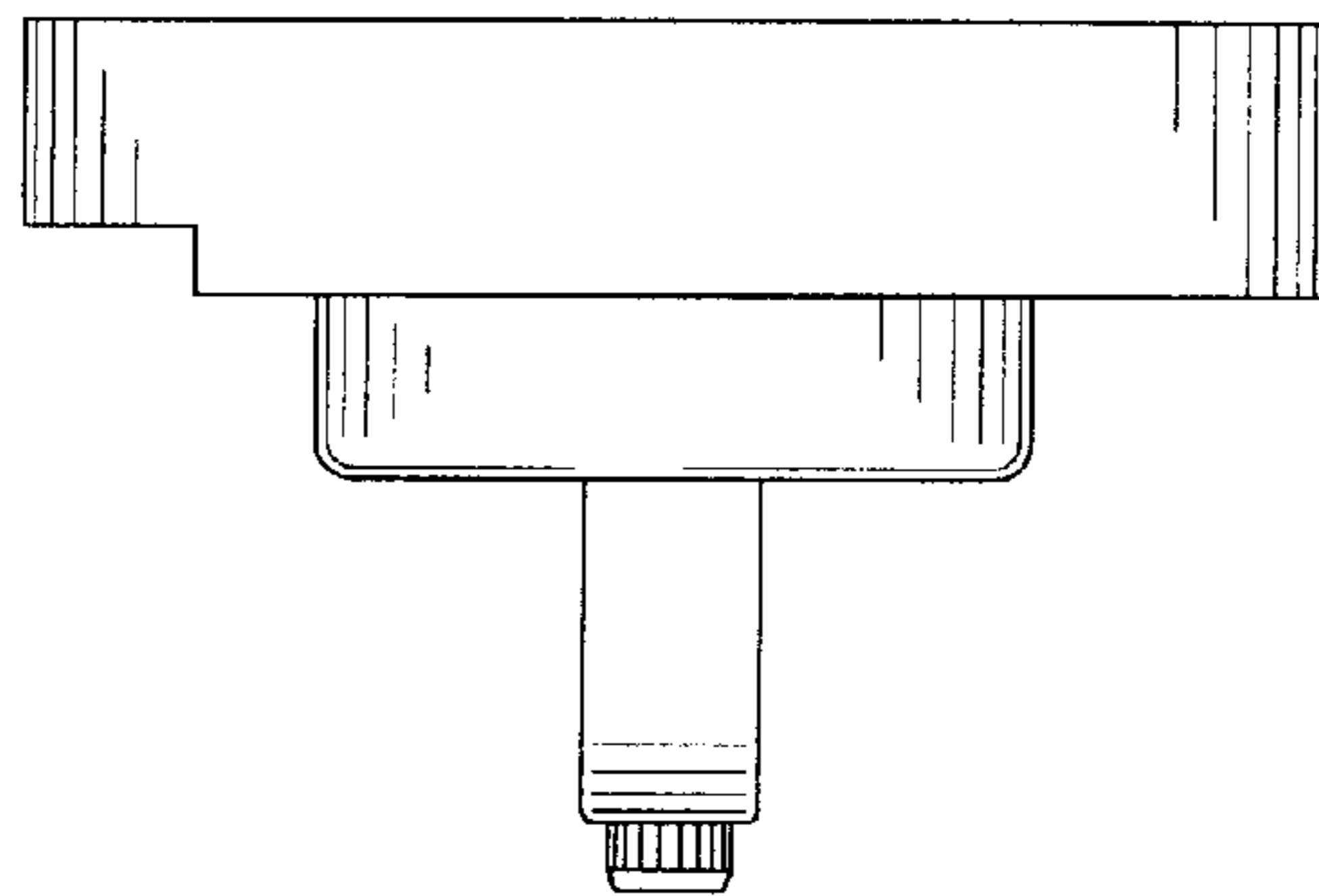
*FIG. 4*



*FIG. 5*



*FIG. 6*



*FIG. 7*

