



US00D416972S

United States Patent [19]

[11] Patent Number: **Des. 416,972**

Otteman et al.

[45] Date of Patent: **** Nov. 23, 1999**

[54] **TELESCOPIC SIGHT WITH MOUNTING RACK**

[75] Inventors: **Rodney H. Otteman**, Aloha; **Victoria J. Peters**, Forest Grove, both of Oreg.

[73] Assignee: **Leupold & Stevens, Inc.**, Beaverton, Oreg.

[*] Notice: This patent is subject to a terminal disclaimer.

[**] Term: **14 Years**

[21] Appl. No.: **29/095,342**

[22] Filed: **Oct. 21, 1998**

[51] **LOC (6) Cl.** **22-01**

[52] **U.S. Cl.** **D22/109; D22/108; D22/110**

[58] **Field of Search** **D22/100, 108, D22/109, 110, 199; D16/132; 33/245, 246, 247, 261, 265; 42/100, 101, 103**

[56] **References Cited**

U.S. PATENT DOCUMENTS

- D. 235,339 6/1975 Edstrom D22/109
- D. 308,982 7/1990 Moore D16/132

- D. 346,392 4/1994 Tomita D16/132
- D. 349,510 8/1994 Tomita D16/132
- D. 365,858 1/1996 Tomita D16/132 X
- D. 369,367 4/1996 Tomita D22/109 X
- D. 378,936 4/1997 DePaoli D22/109
- 4,021,954 5/1977 Crawford 42/1 ST
- 4,328,624 5/1982 Ross 33/245
- 4,878,307 11/1989 Singletary 42/101
- 5,134,798 8/1992 Lee 42/100

Primary Examiner—Stella Reid
Assistant Examiner—Monica A. Weingart
Attorney, Agent, or Firm—Stoel Rives LLP

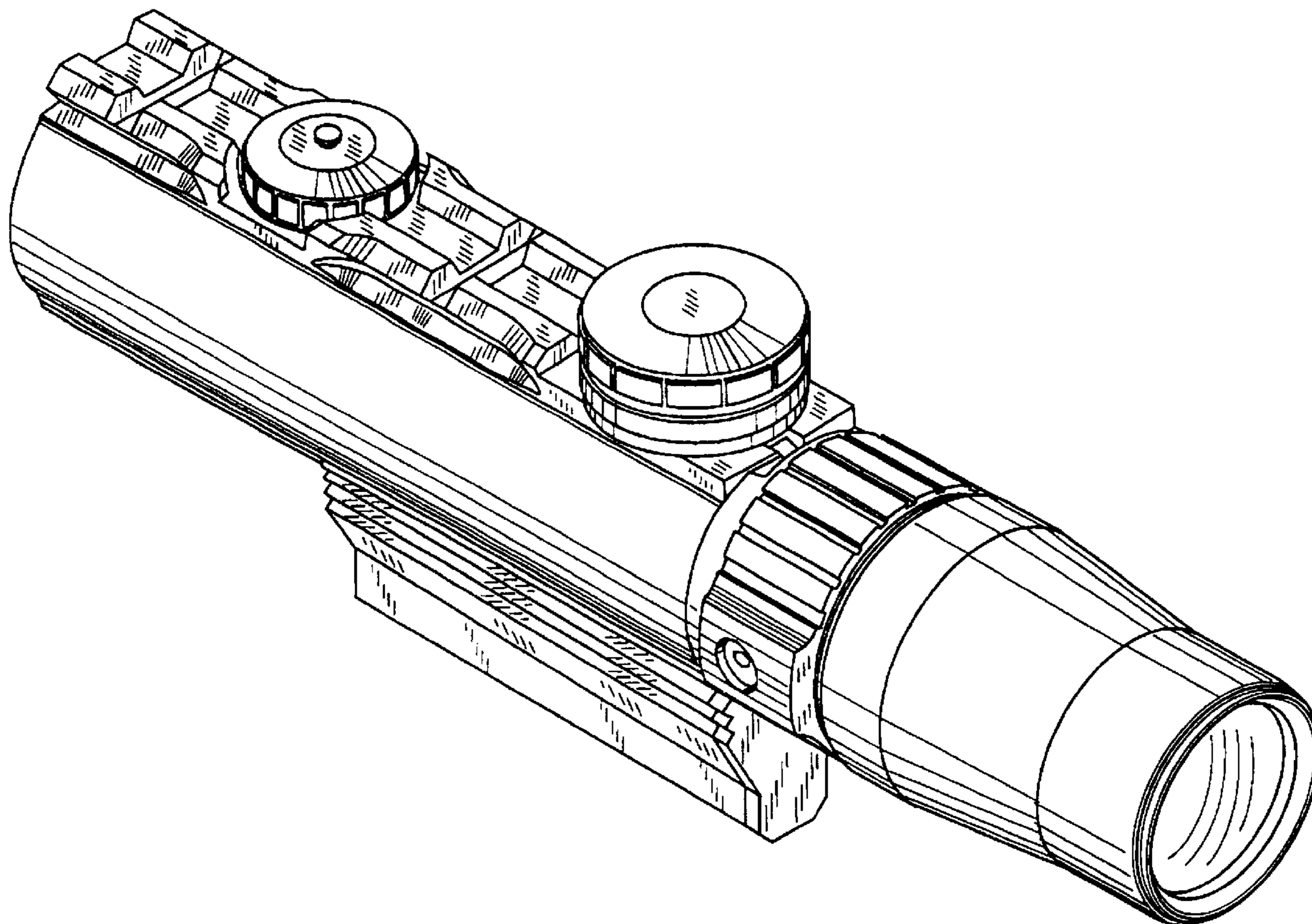
[57] **CLAIM**

We claim the ornamental design for a telescopic sight with mounting rack, as shown and described.

DESCRIPTION

FIG. 1 is a perspective view of a telescopic sight with mounting rack;
FIG. 2 is an objective end view thereof;
FIG. 3 is an eyepiece end view thereof;
FIG. 4 is a right side elevation view thereof;
FIG. 5 is a left side elevation view thereof;
FIG. 6 is a top plan view thereof; and,
FIG. 7 is a bottom plan view thereof.

1 Claim, 3 Drawing Sheets



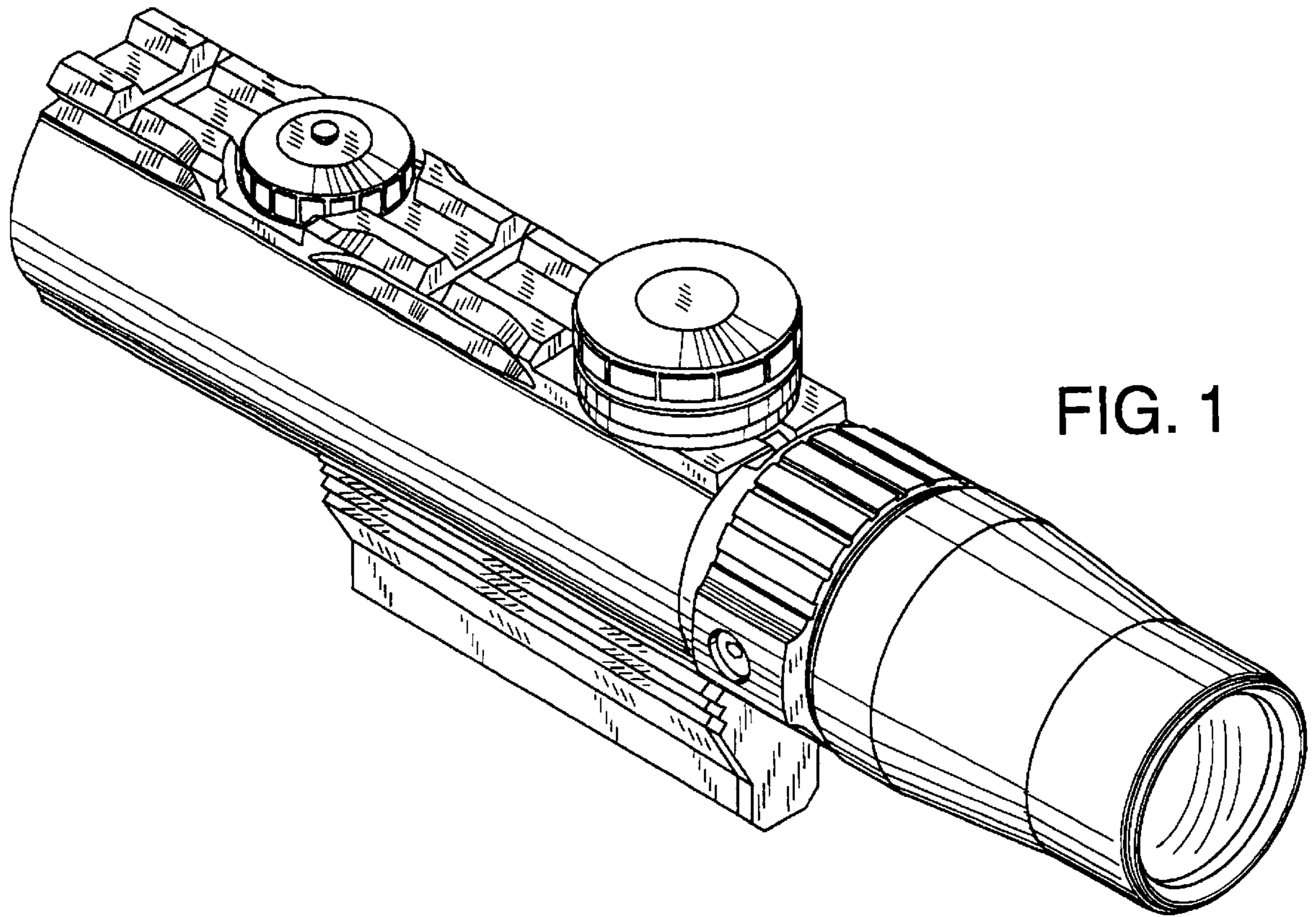


FIG. 1

FIG. 2

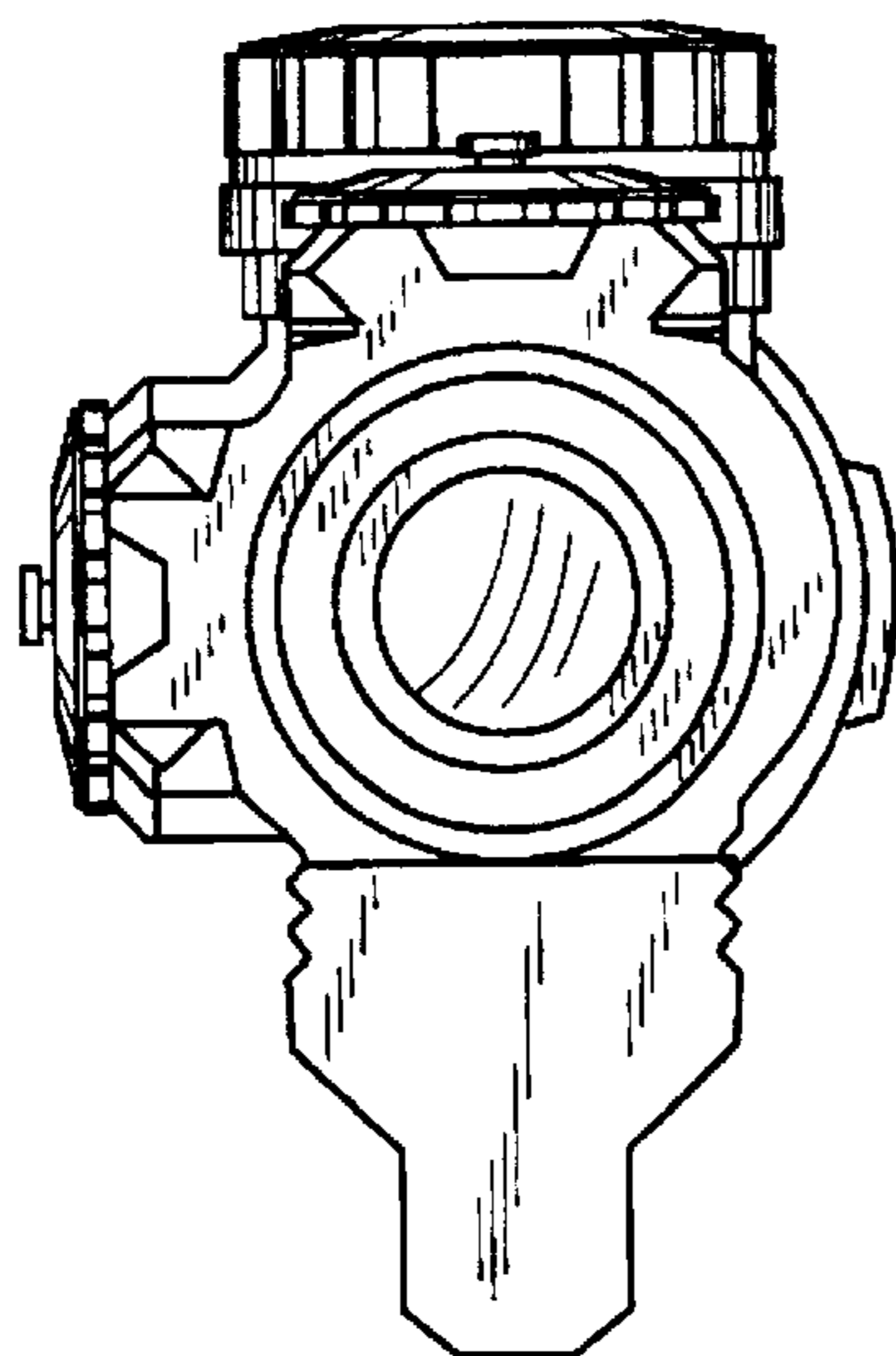


FIG. 3

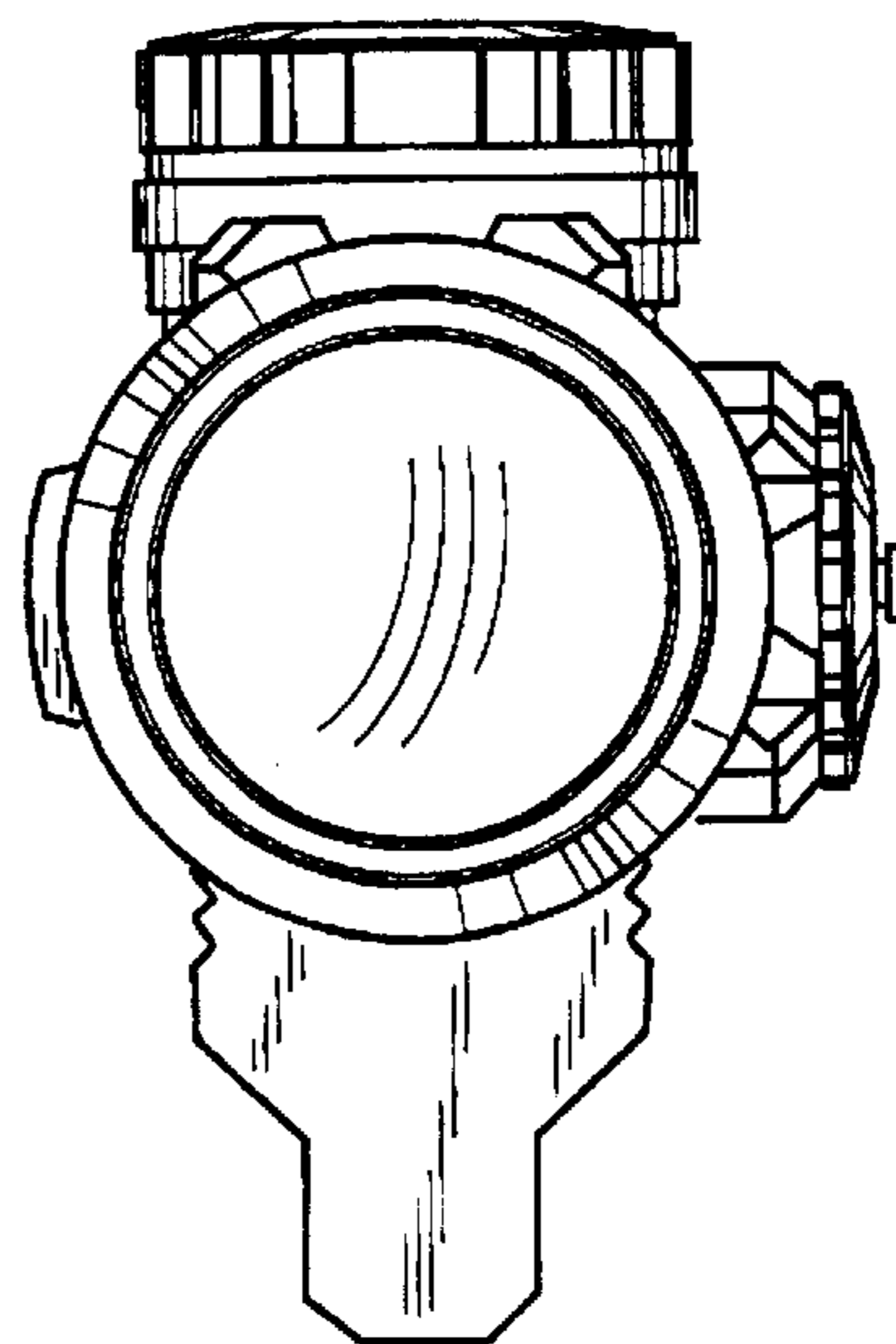


FIG. 4

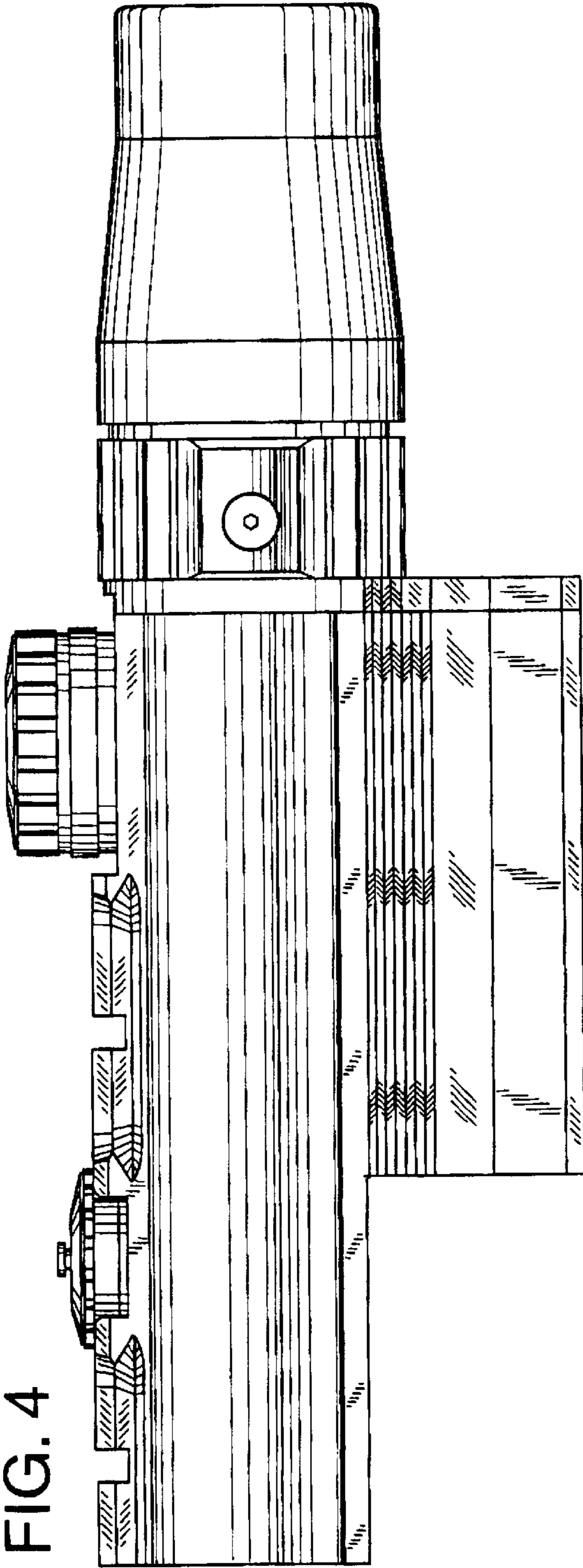


FIG. 5

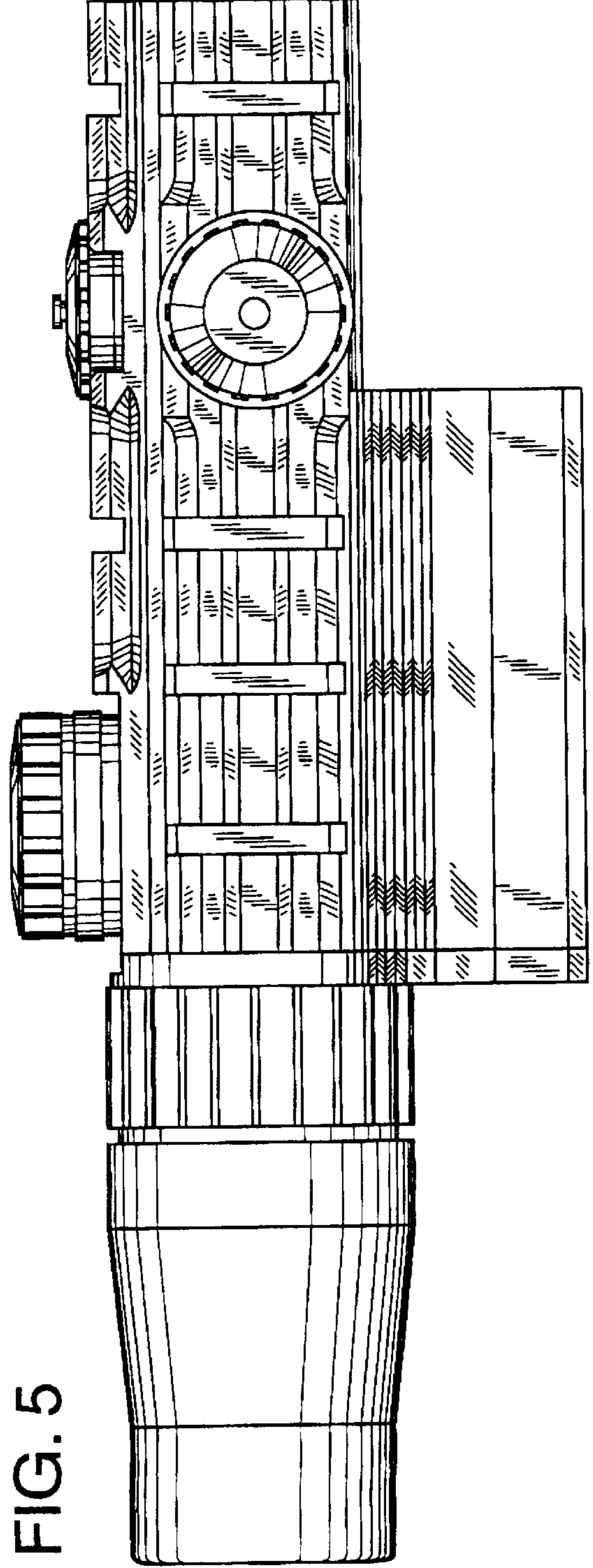


FIG. 6

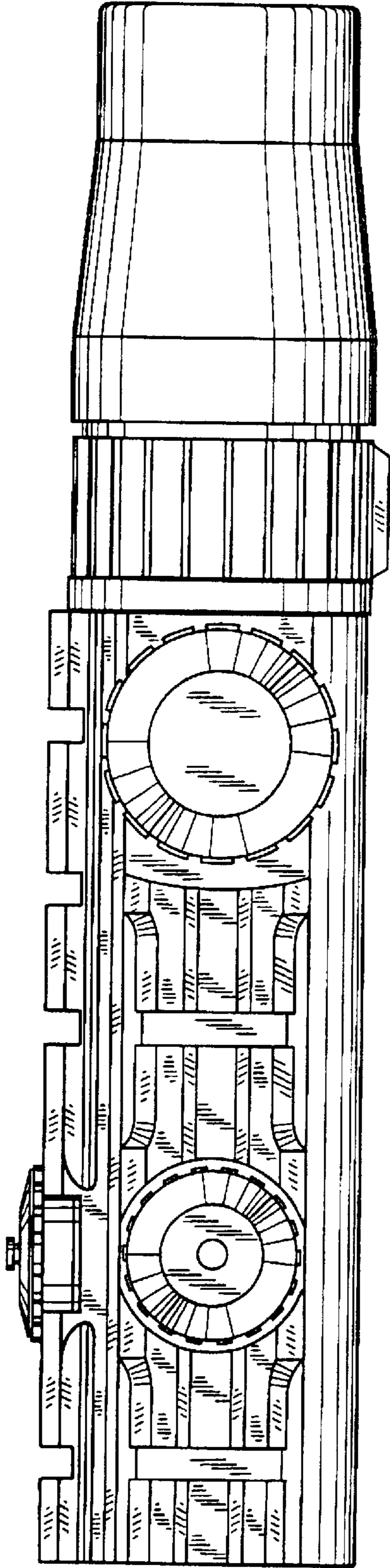


FIG. 7

