



US00D416965S

United States Patent [19]
Clarkson

[11] **Patent Number: Des. 416,965**

[45] **Date of Patent: ** Nov. 23, 1999**

[54] **GOLF PUTTER HEAD**

Attorney, Agent, or Firm—Graybeal Jackson Haley LLP

[76] Inventor: **Francis J. Clarkson**, 21496 Stonehouse Avenue, Maple Ridge, B.C., Canada, V2X 3Z4

[57] **CLAIM**

The ornamental design for a golf putter head, as shown and described.

[**] Term: **14 Years**

DESCRIPTION

[21] Appl. No.: **29/093,503**

FIG. 1 is a perspective view of the golf putter head showing my design;

[22] Filed: **Sep. 11, 1998**

FIG. 2 is a plan view of the golf putter head showing my design;

[51] **LOC (6) Cl.** **21-02**

[52] **U.S. Cl.** **D21/744**

FIG. 3 is a first side elevation view of the golf putter head showing my design;

[58] **Field of Search** D21/736-746;
473/251-256, 324, 340, 341

FIG. 4 is a bottom view of the golf putter head showing my design;

[56] **References Cited**

FIG. 5 is a second side elevation view of the golf putter head showing my design;

U.S. PATENT DOCUMENTS

FIG. 6 is a first end elevation view of the golf putter head showing my design; and,

D. 364,664 11/1995 McNamara D21/741

D. 401,990 12/1998 Berkebile D21/738

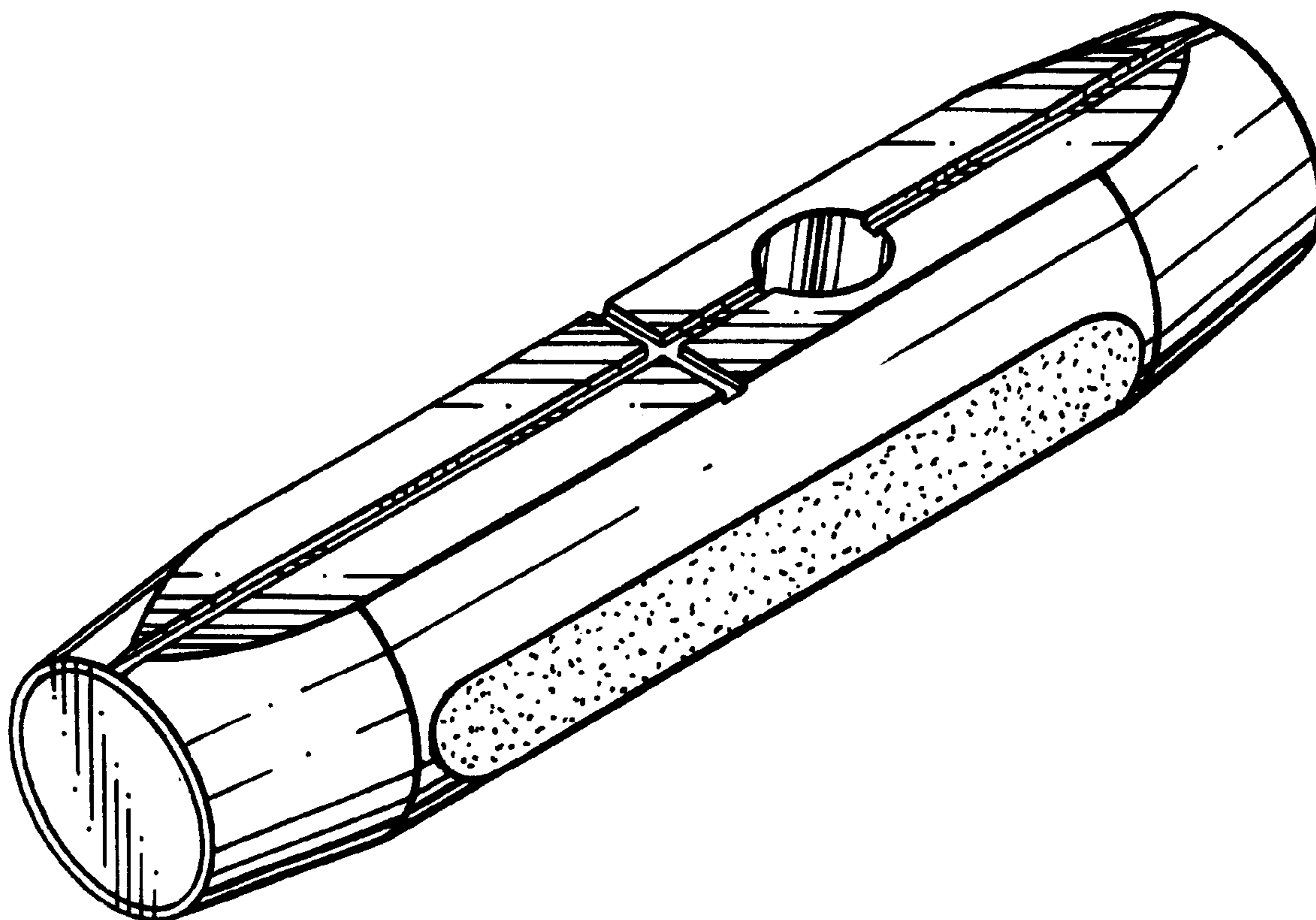
D. 404,781 1/1999 Reis, Jr. D21/736

5,603,666 2/1997 Bowe 473/307

FIG. 7 is a second end elevation view of the golf putter head showing my design.

Primary Examiner—Mitchell Siegel

1 Claim, 2 Drawing Sheets



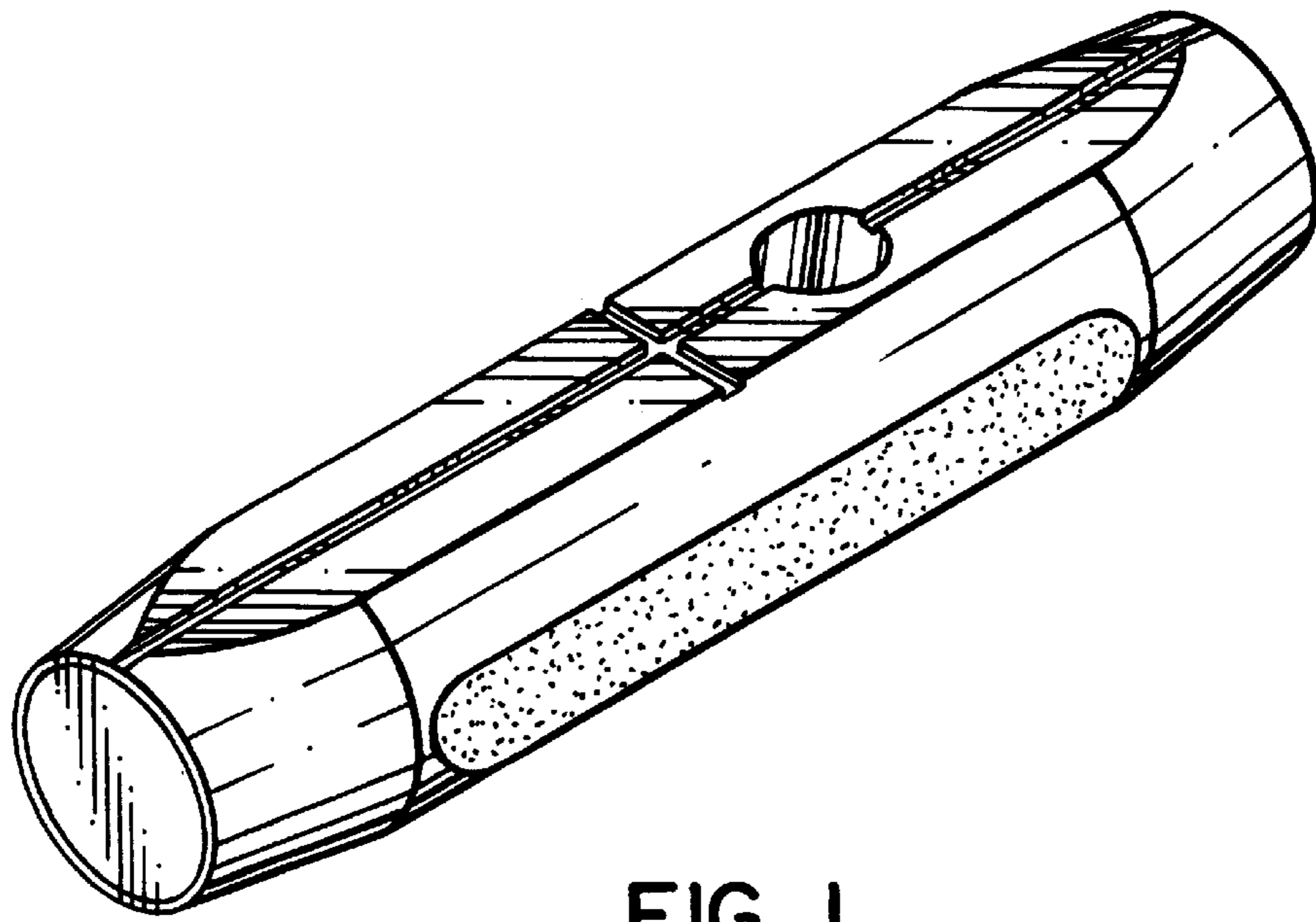


FIG. 1

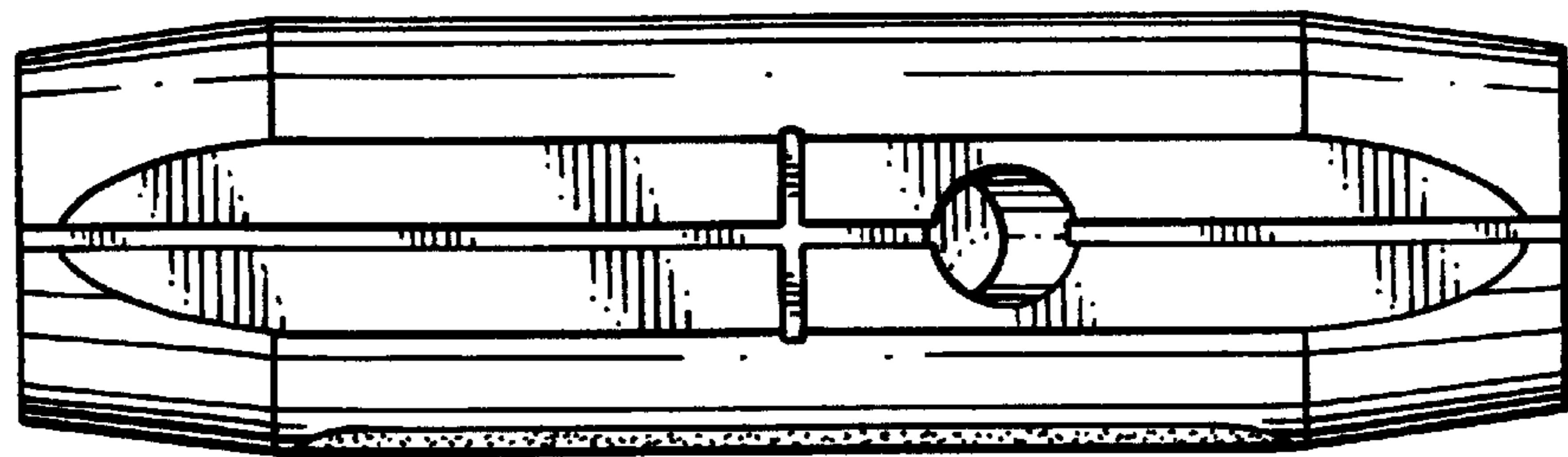


FIG. 2

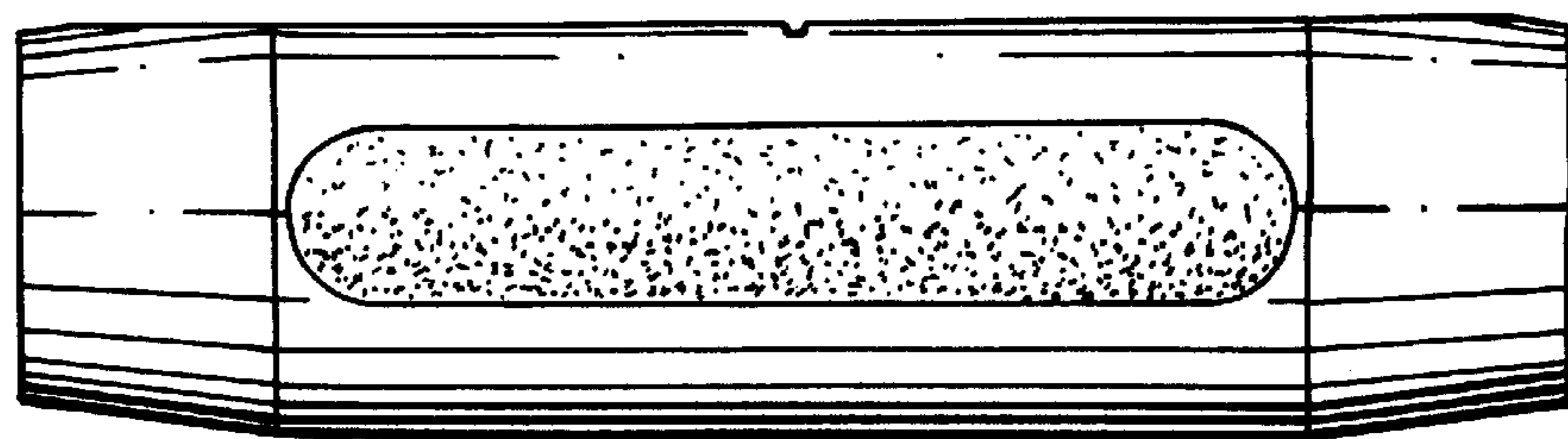


FIG. 3

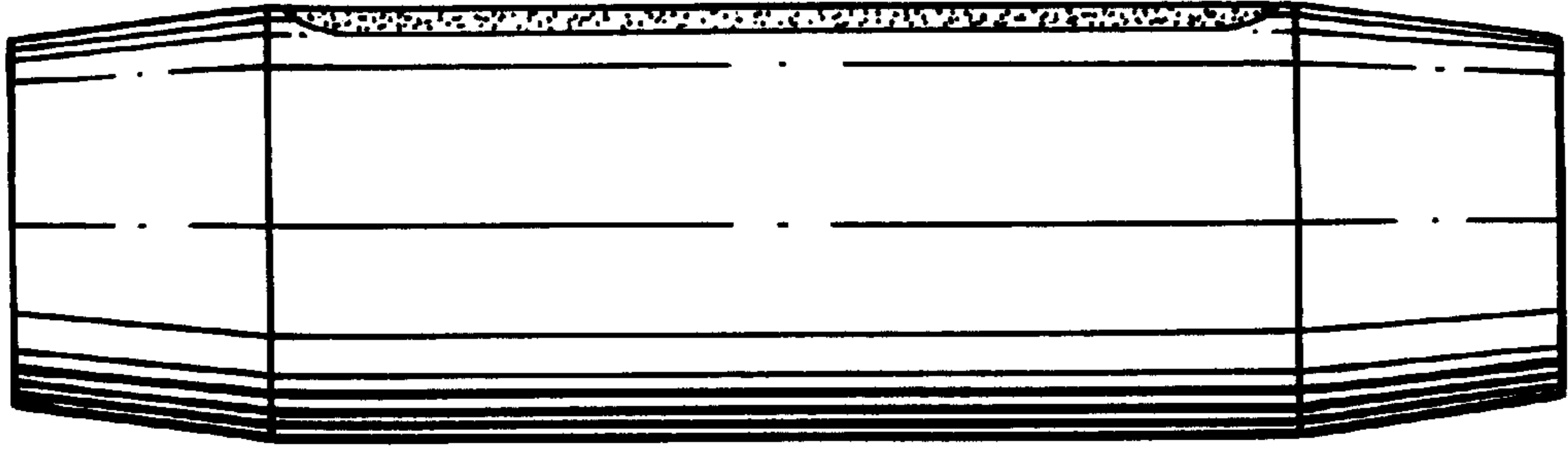


FIG. 4

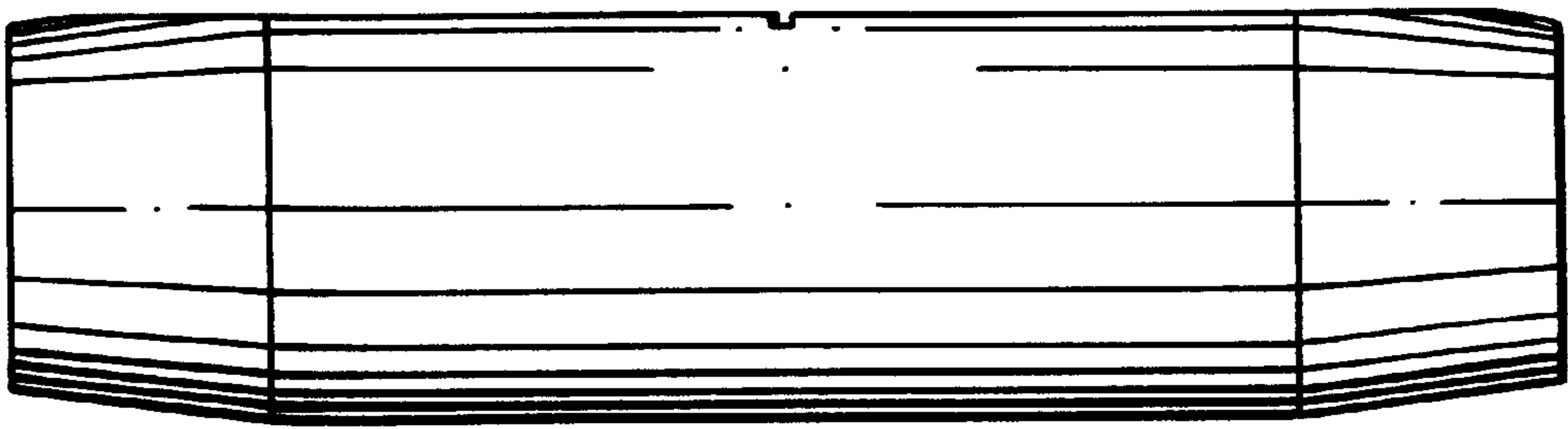


FIG. 5

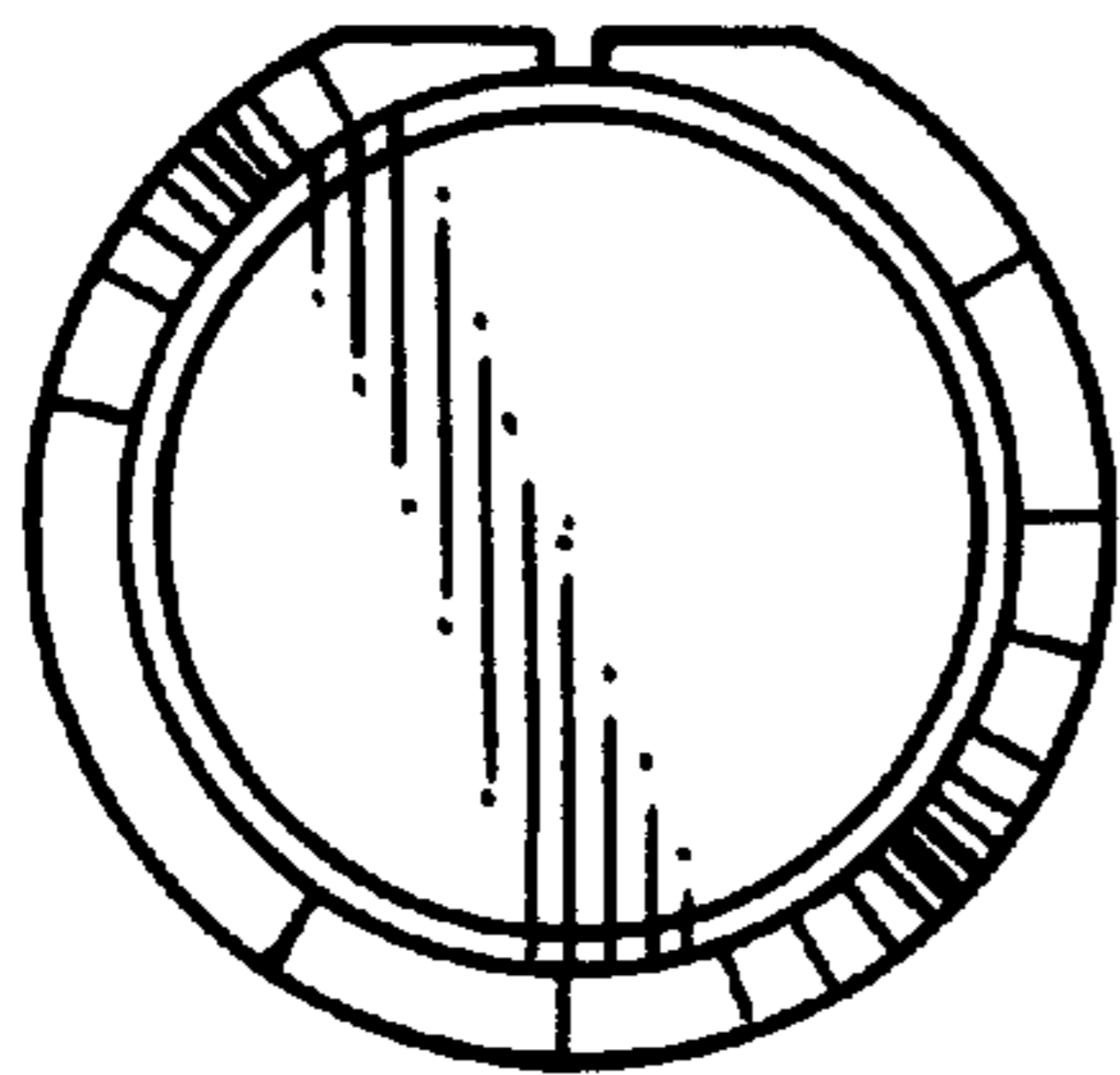


FIG. 6

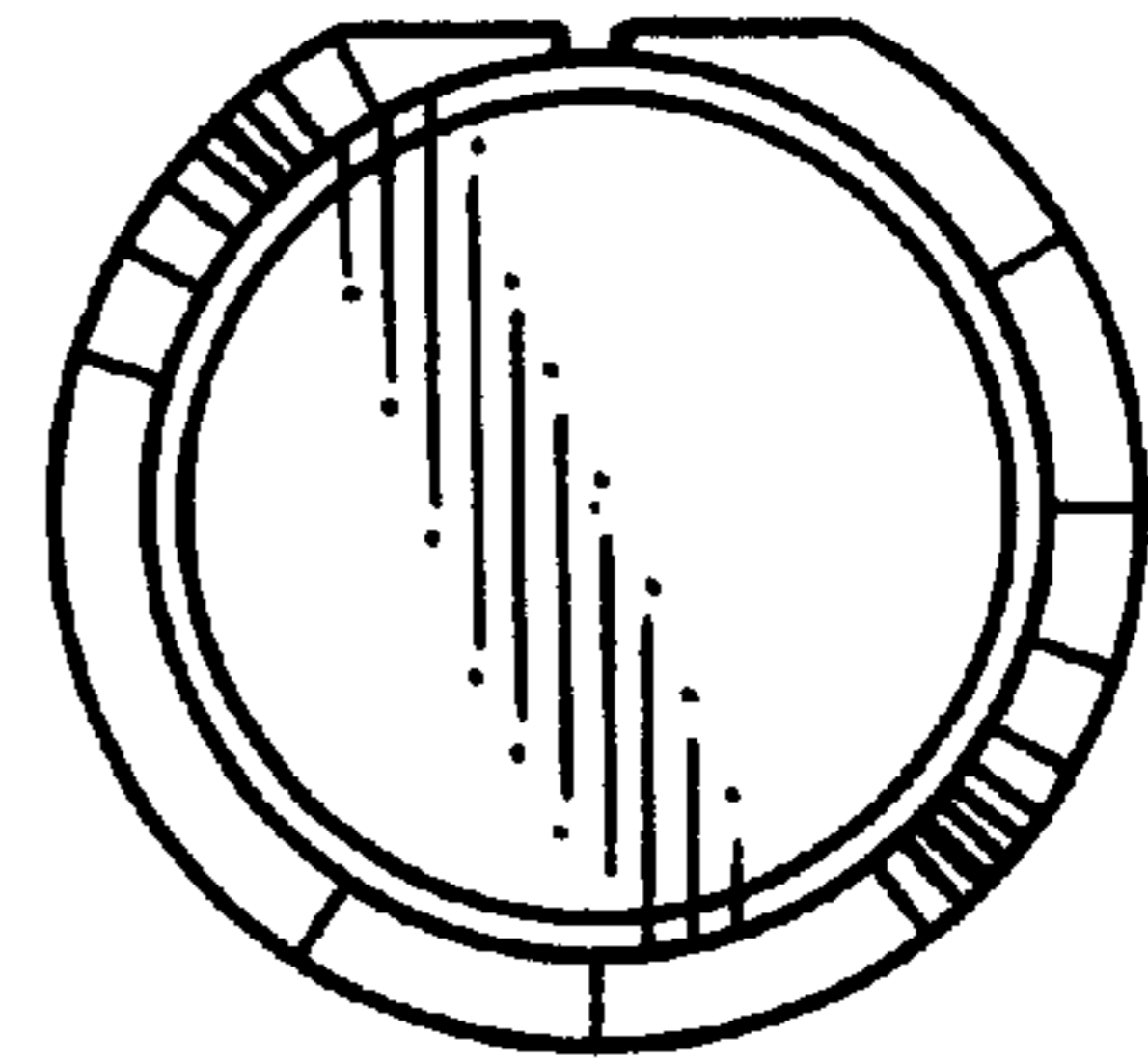


FIG. 7