



US00D416964S

**United States Patent** [19]  
**Steele**

[11] **Patent Number: Des. 416,964**

[45] **Date of Patent: \*\* Nov. 23, 1999**

[54] **GOLF PUTTER HEAD**

4,960,279 10/1990 Harris, Jr. .... 473/251

[76] Inventor: **Jack F. Steele**, 929 N. Astor St.,  
Milwaukee, Wis. 53202

*Primary Examiner*—Raphael Barkai  
*Assistant Examiner*—Mitchell J. Siegel  
*Attorney, Agent, or Firm*—Andrus, Scales, Starke &  
Sawall

[\*\*] Term: **14 Years**

[21] Appl. No.: **29/055,952**

[57] **CLAIM**

[22] Filed: **Jun. 17, 1996**

The ornamental design for a golf putter head, as shown and described.

[51] **LOC (6) Cl.** ..... **21-02**

[52] **U.S. Cl.** ..... **D21/743**

[58] **Field of Search** ..... D21/217-219;  
473/340, 341, 251-256

**DESCRIPTION**

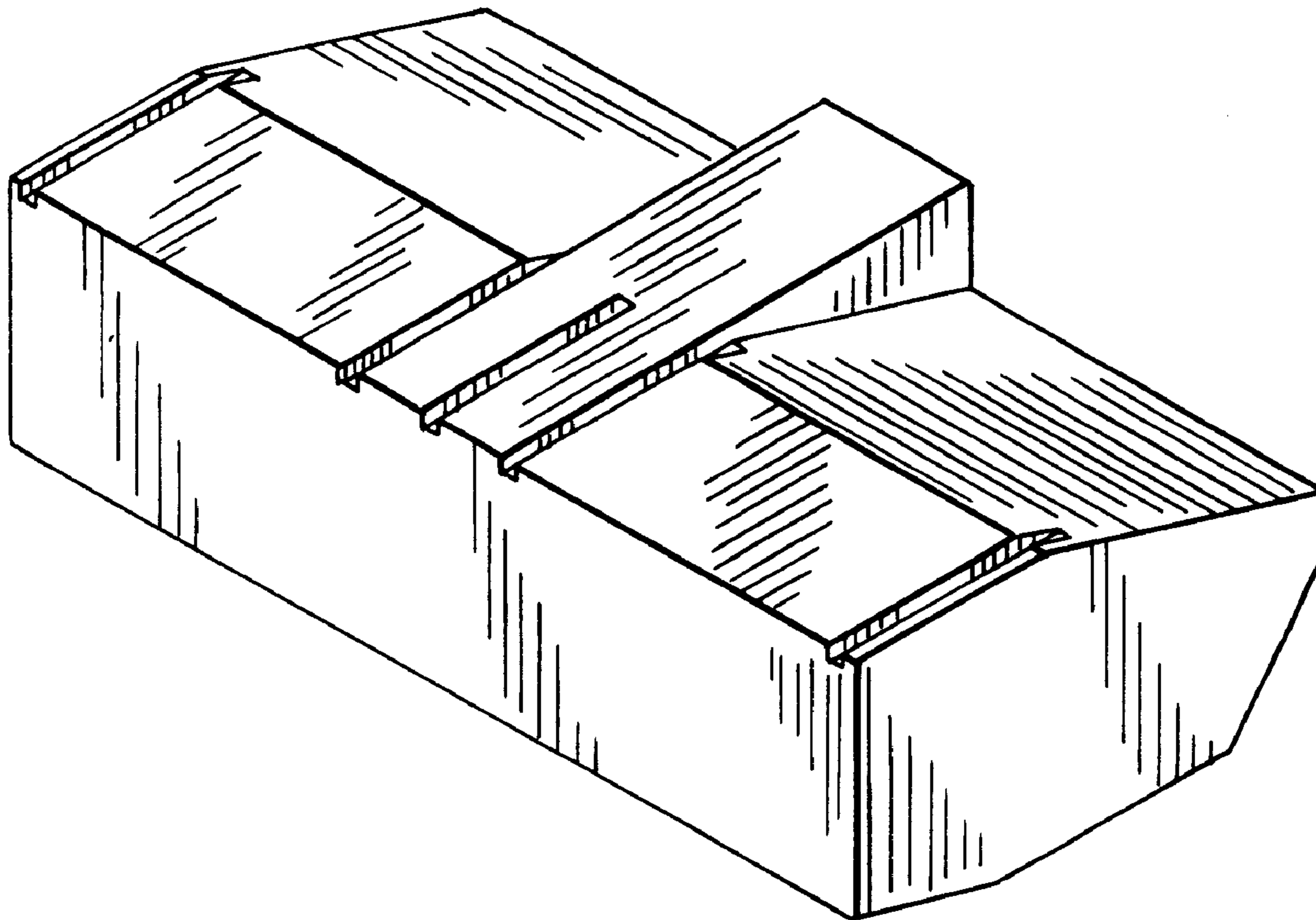
[56] **References Cited**

**U.S. PATENT DOCUMENTS**

- D. 206,540 12/1966 Mackenzie ..... D21/219 X
- D. 325,949 5/1992 Harris, Jr. .... D21/219
- D. 335,691 5/1993 Barker et al. .... D21/217
- D. 342,772 12/1993 Koehler ..... D21/217
- D. 343,667 1/1994 Koehler ..... D21/217
- D. 344,562 2/1994 Koehler ..... D21/217
- D. 375,131 10/1996 Williams ..... D21/219

FIG. 1 is a perspective view of the golf putter head;  
FIG. 2 is a top plan view of the golf putter head;  
FIG. 3 is a front view of the golf putter head;  
FIG. 4 is a right side elevation of the golf putter head, the left side elevation being the same;  
FIG. 5 is a rear view of the golf putter head; and,  
FIG. 6 is a bottom view of a the golf putter head.  
The broken line showing of a fragmented shaft on FIGS. 2 and 3 is for illustrative purposes only and forms no part of the claimed design.

**1 Claim, 2 Drawing Sheets**



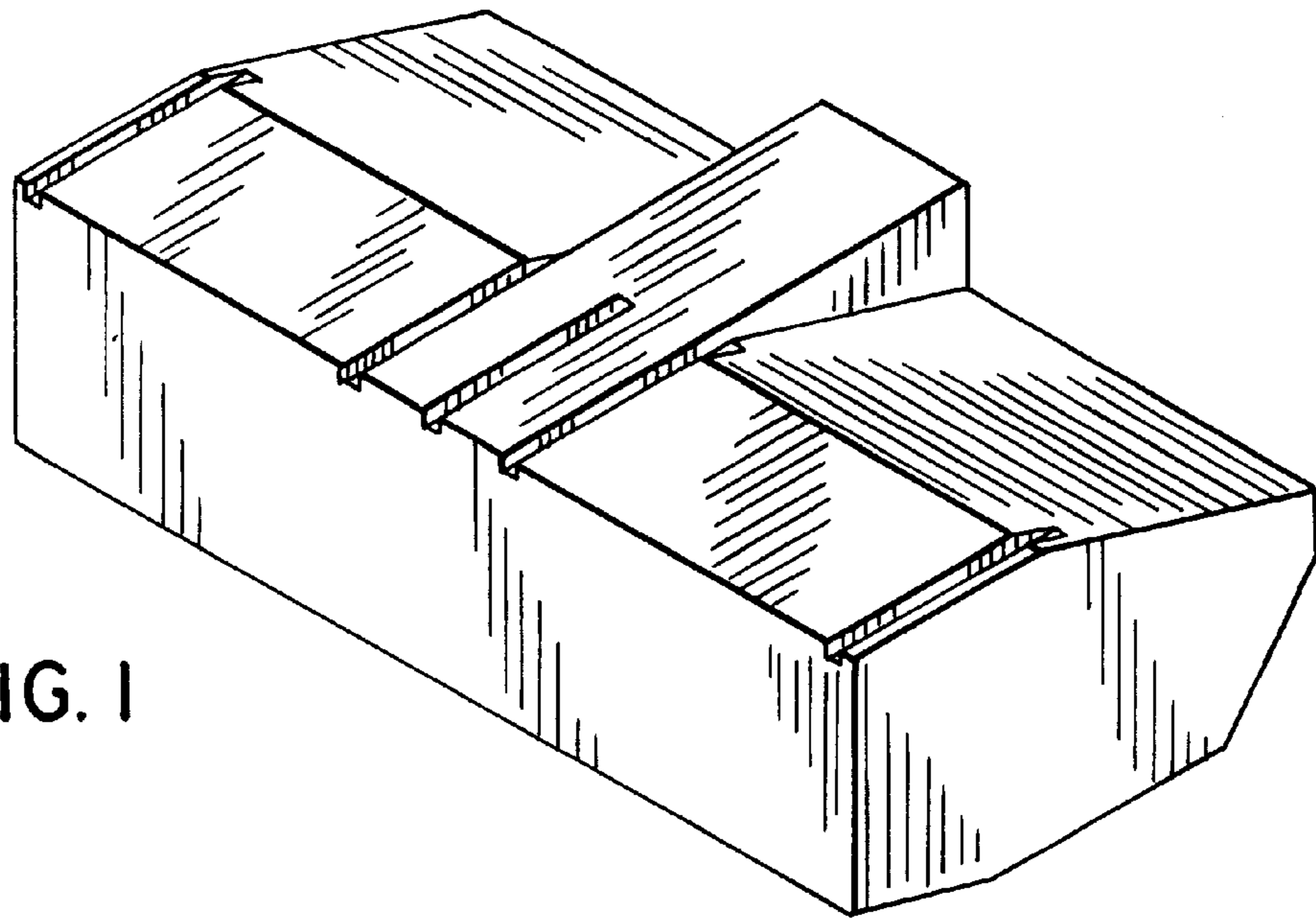


FIG. 1

FIG. 2

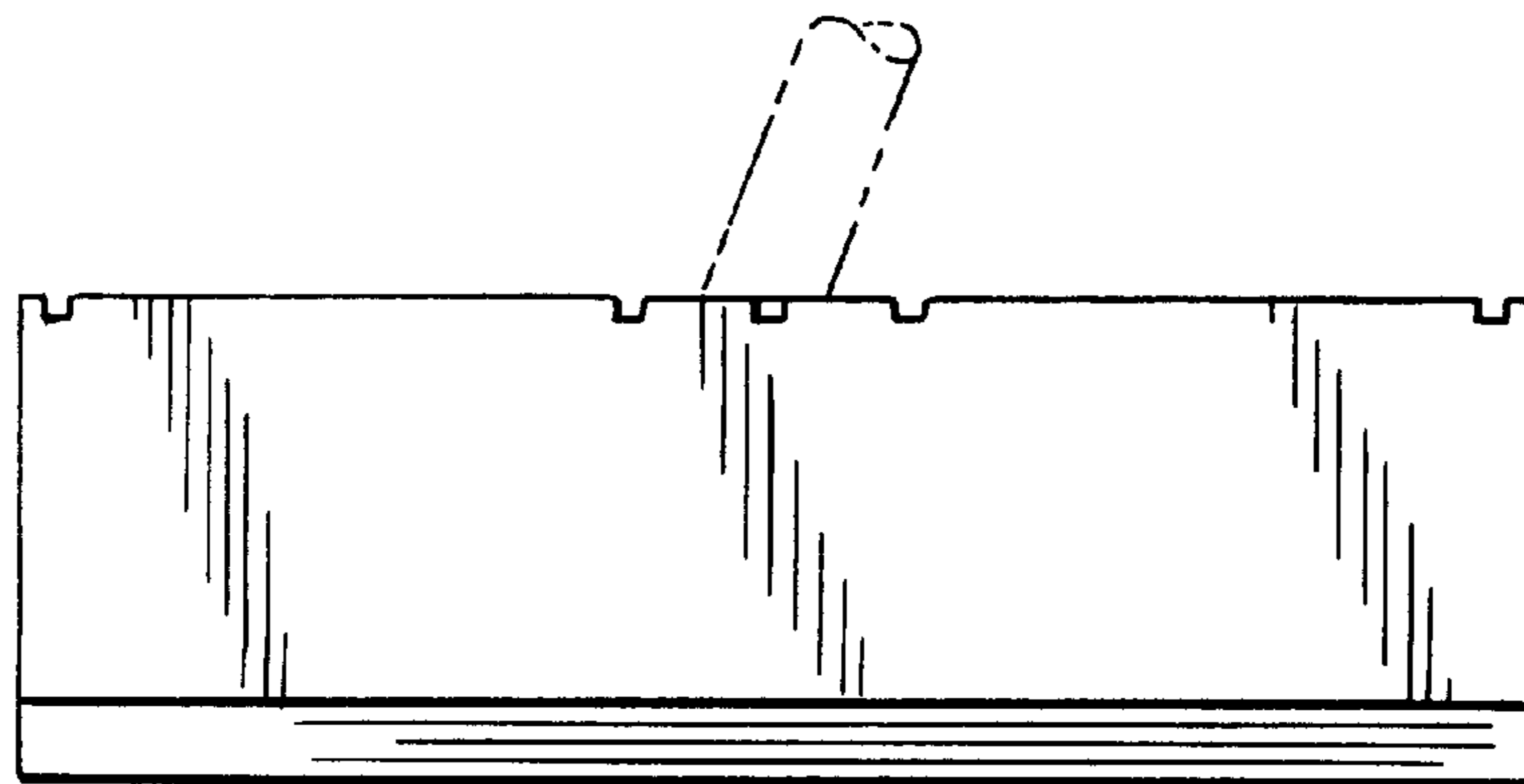
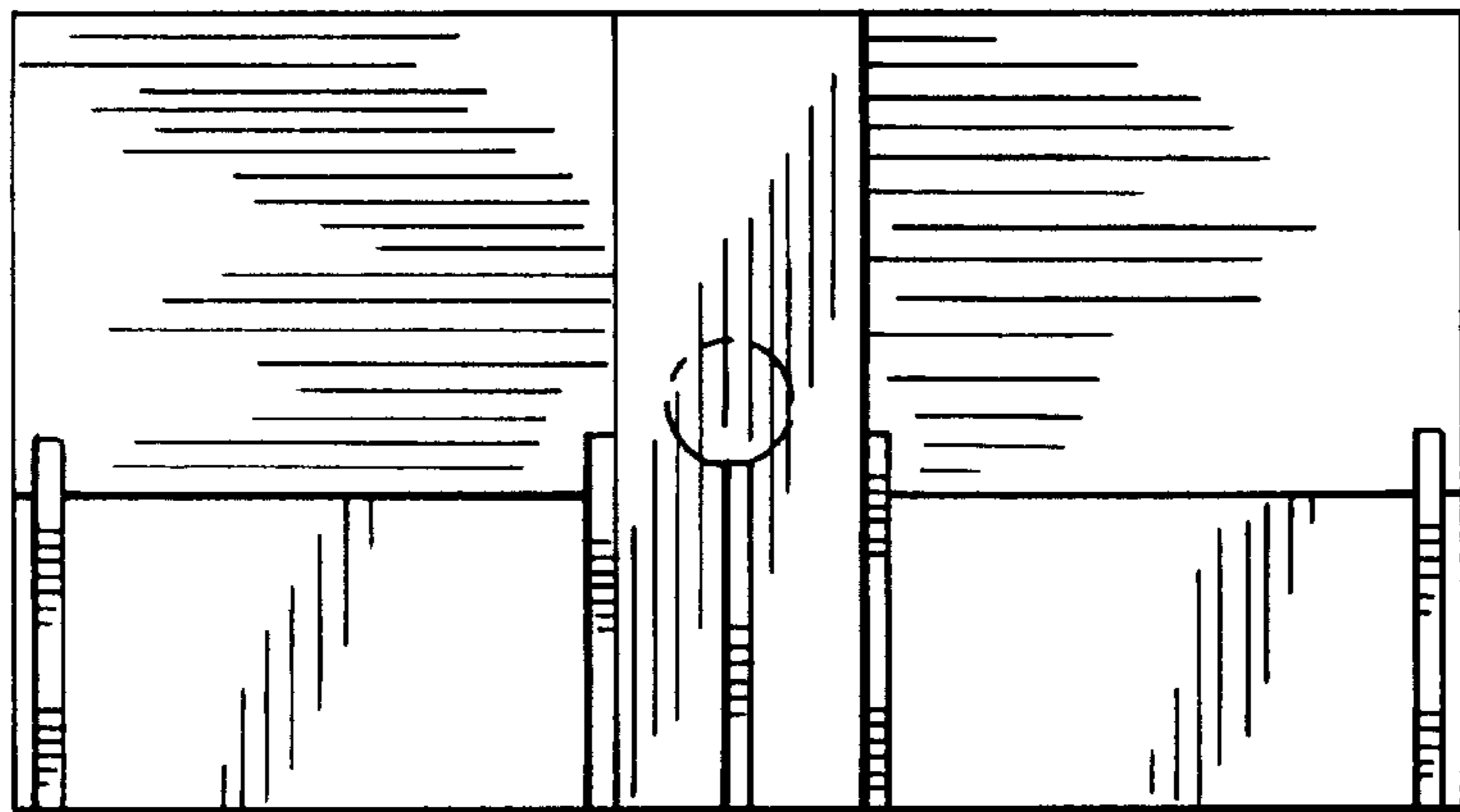


FIG. 3

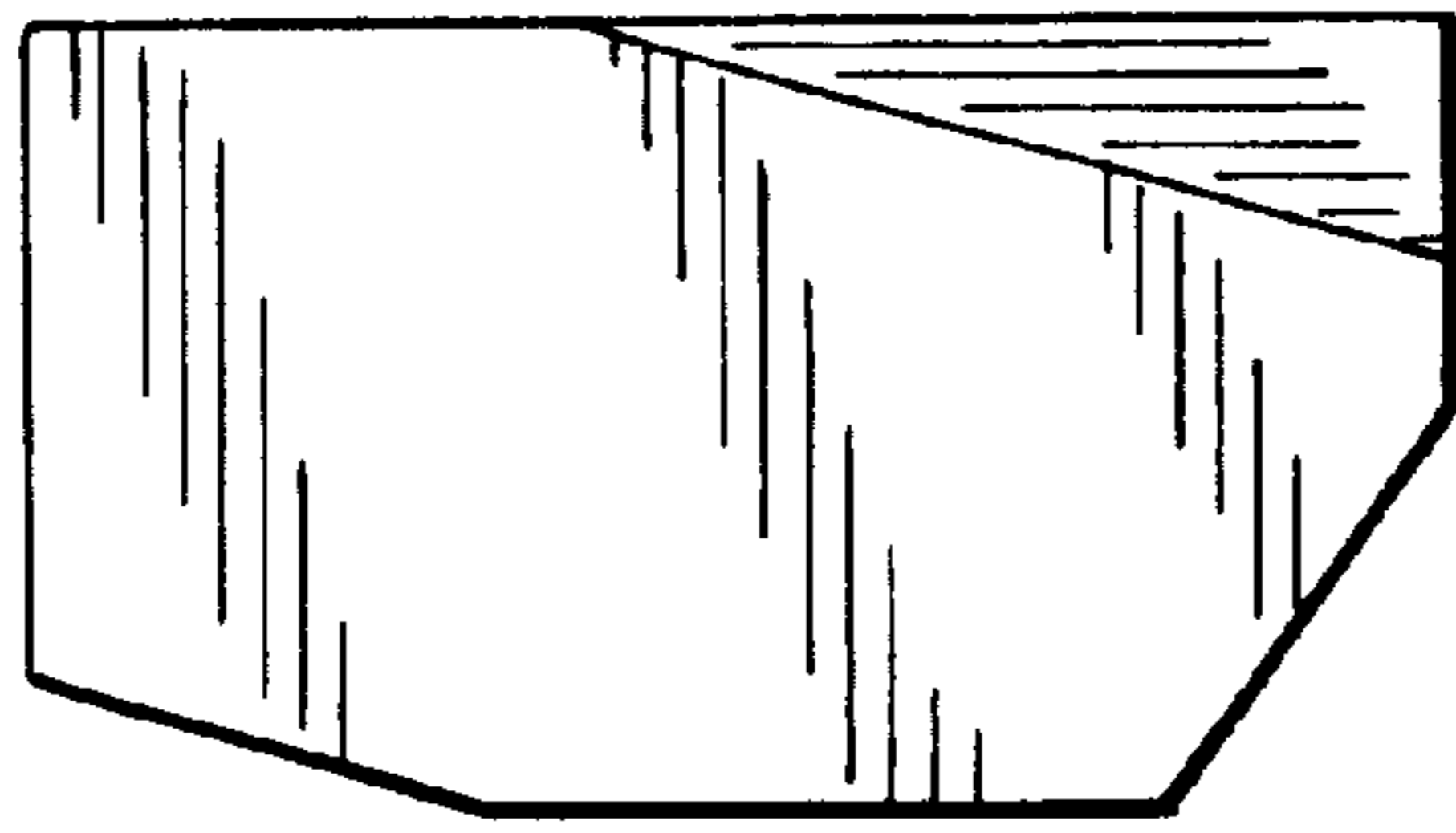


FIG. 4

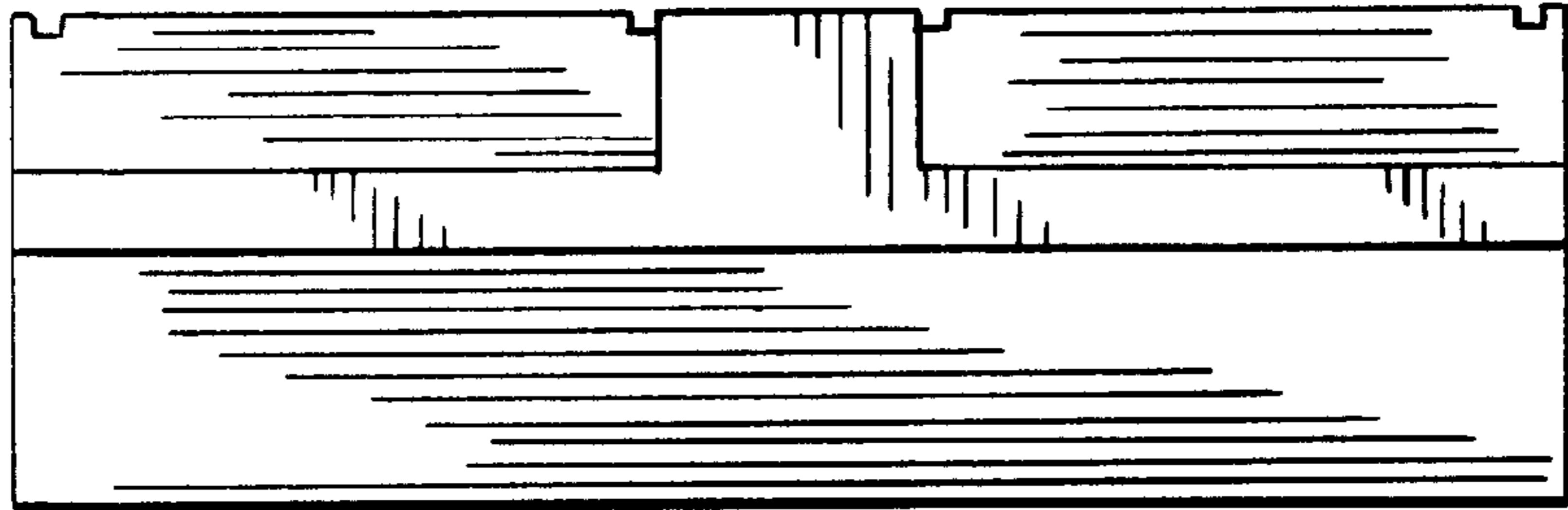


FIG. 5

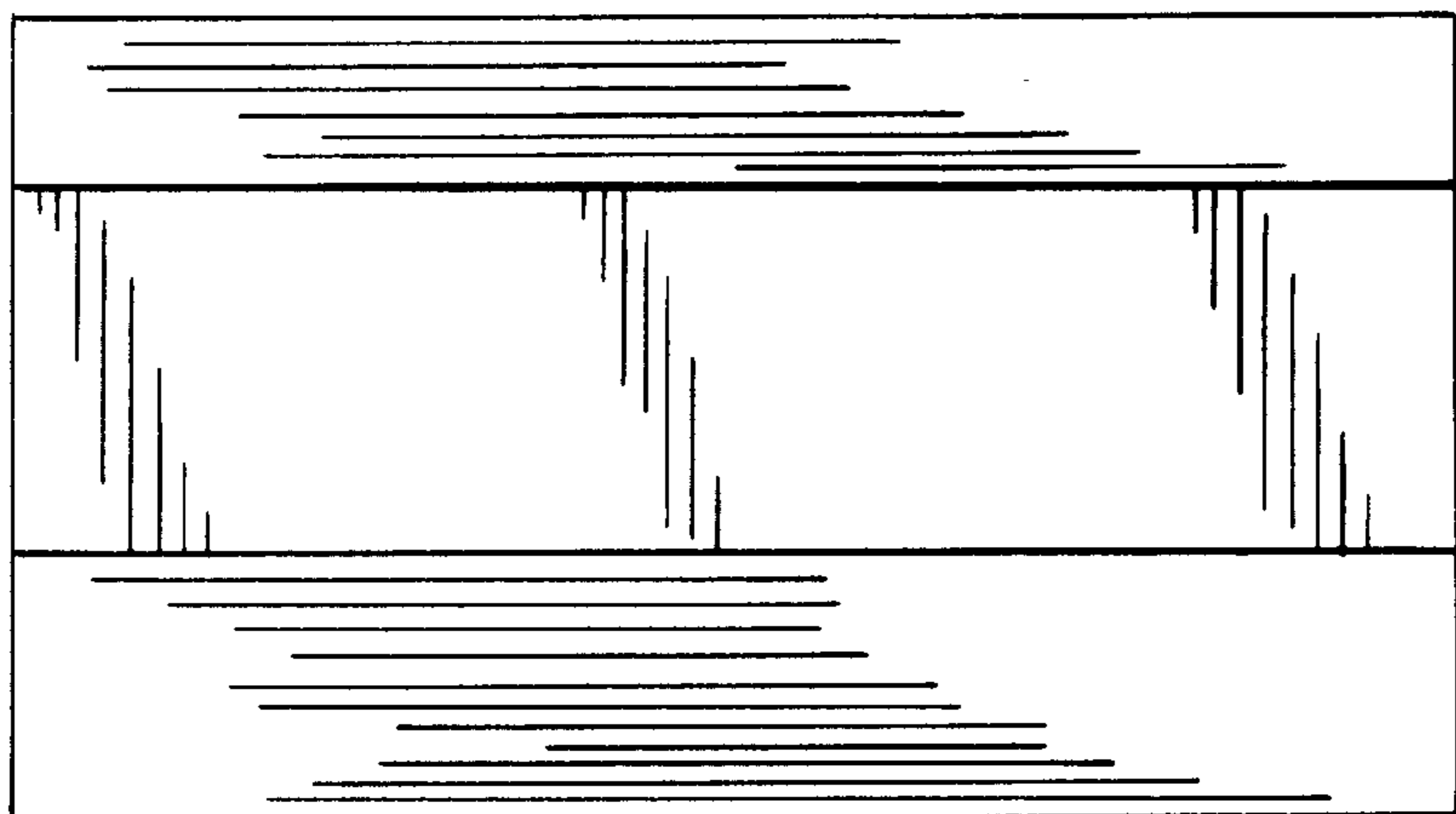


FIG. 6