



US00D416960S

United States Patent [19] Chen

[11] **Patent Number: Des. 416,960**

[45] **Date of Patent: ** Nov. 23, 1999**

[54] **WATER EXERCISER**

[76] **Inventor: Chih-Liang Chen**, No. 10, Lane 1431,
Kuanghsing Rd., Pateh City, Taoyuan
Hsien, Taiwan

[**] **Term: 14 Years**

[21] **Appl. No.: 29/096,357**

[22] **Filed: Nov. 11, 1998**

[51] **LOC (6) Cl. 21-02**

[52] **U.S. Cl. D21/678; D12/306**

[58] **Field of Search D21/662, 678,
D21/801, 803, 804, 806; D12/306, 307;
441/129, 130; 440/26, 27, 90**

[56] **References Cited**

U.S. PATENT DOCUMENTS

- D. 233,740 11/1974 Martin D12/306
- D. 254,485 3/1980 Stevens D12/306
- D. 292,694 11/1987 Panyik D12/306

- D. 299,941 2/1989 Chang D12/306
- 4,376,420 3/1983 Fracarossi D12/306
- 4,437,840 3/1984 Filippou 440/27
- 4,698,033 10/1987 Hall 440/27
- 4,832,631 5/1989 Gag 440/26

Primary Examiner—Philip S. Hyder
Attorney, Agent, or Firm—Jackson Walker L.L.P.

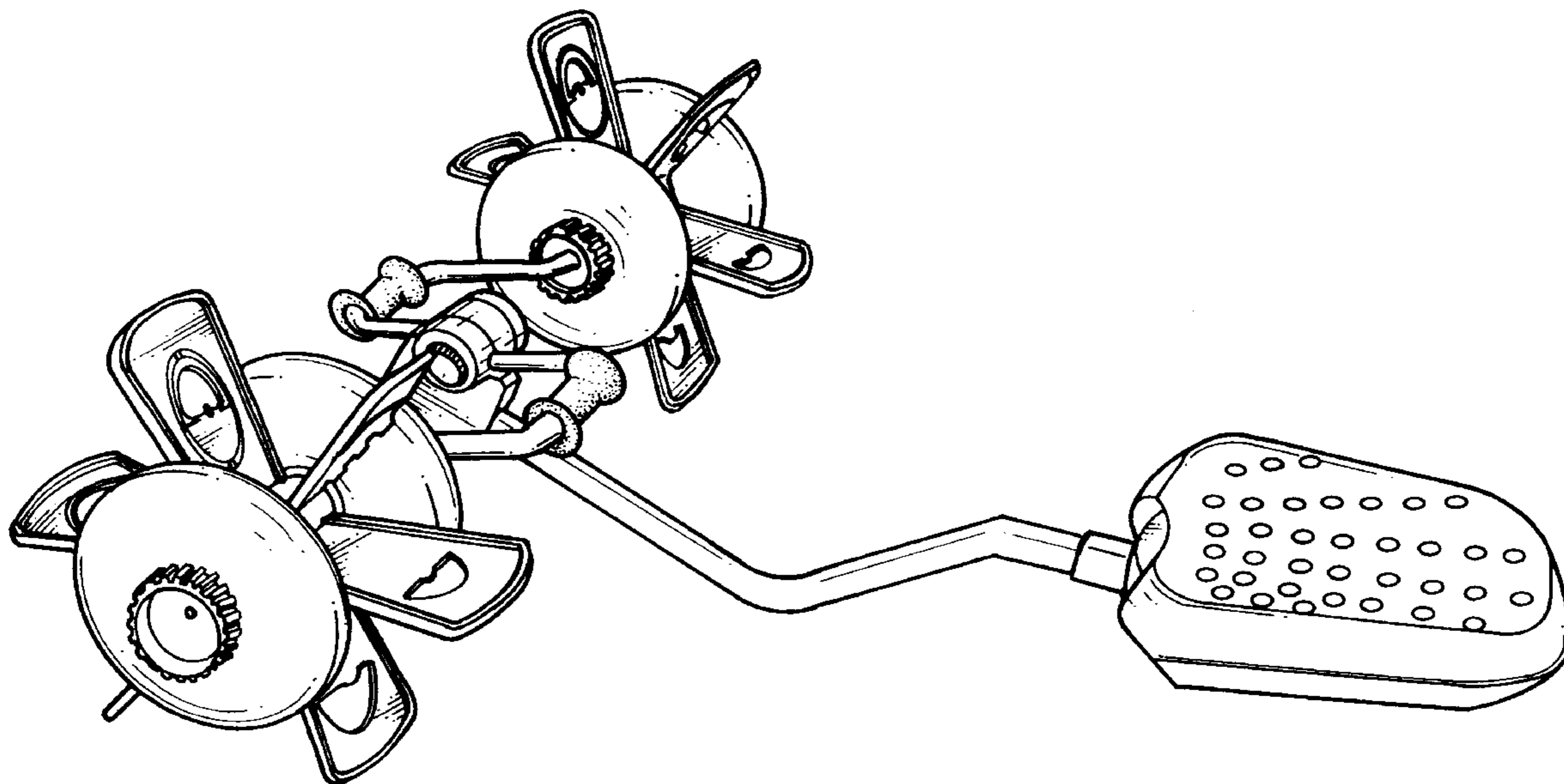
[57] **CLAIM**

The ornamental design for a water exerciser, as shown.

DESCRIPTION

FIG. 1 is a front elevational view thereof;
FIG. 2 is a rear elevational view thereof;
FIG. 3 is a left elevational view thereof;
FIG. 4 is a right elevational view thereof;
FIG. 5 is top plan view thereof;
FIG. 6 is a bottom plan view thereof; and,
FIG. 7 is a front-right-top perspective view of a water exerciser, showing my new design.

1 Claim, 7 Drawing Sheets



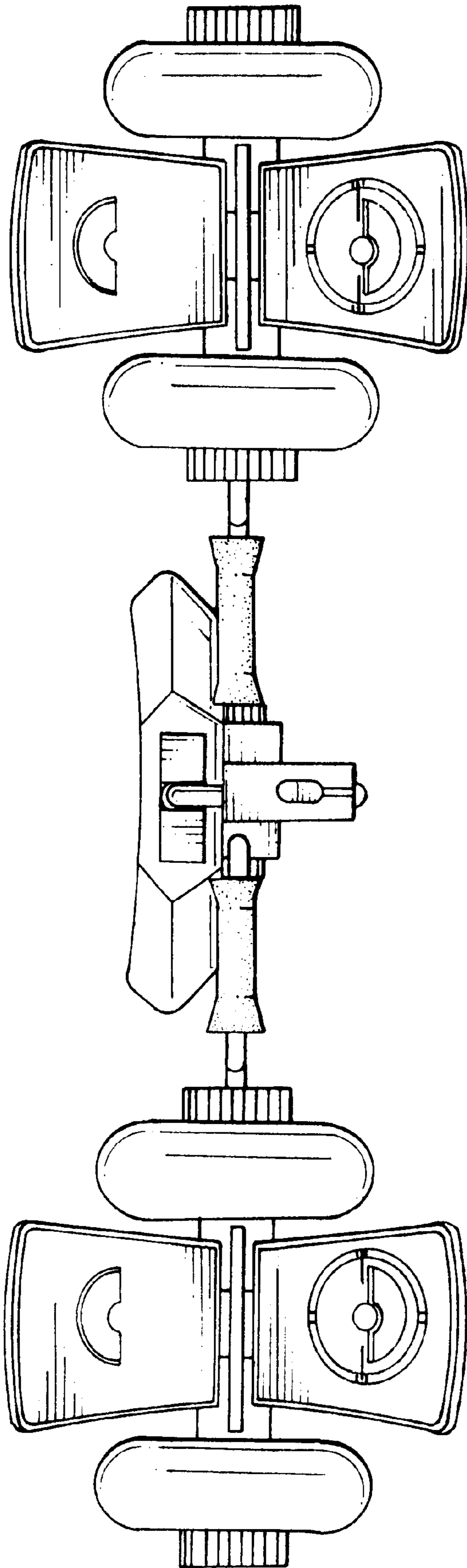


Fig. 1

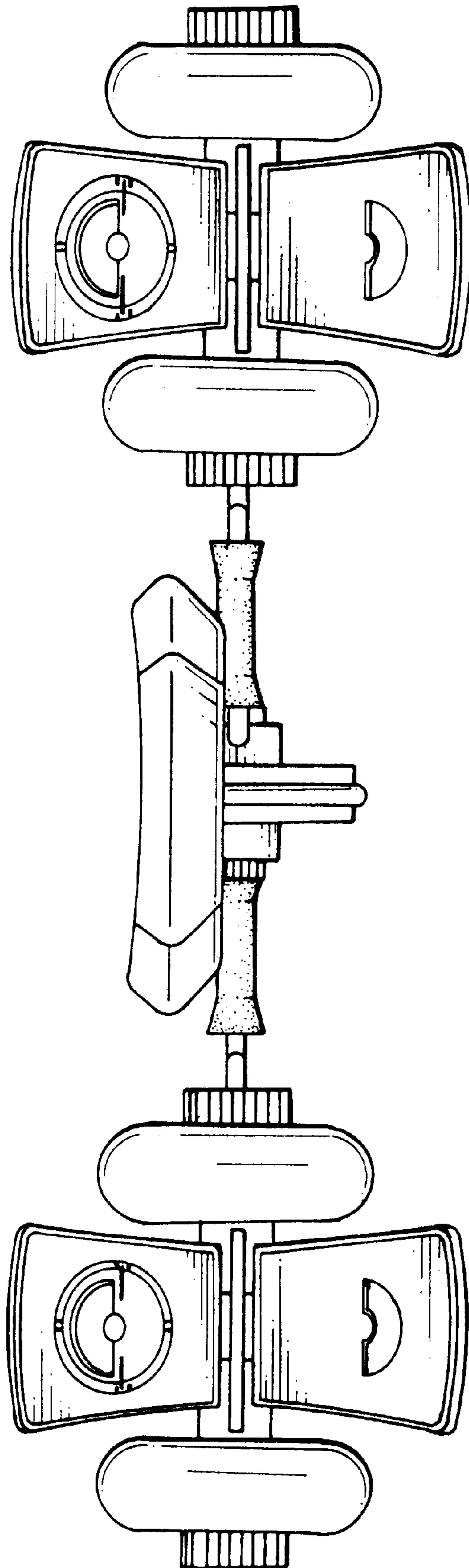


Fig. 2

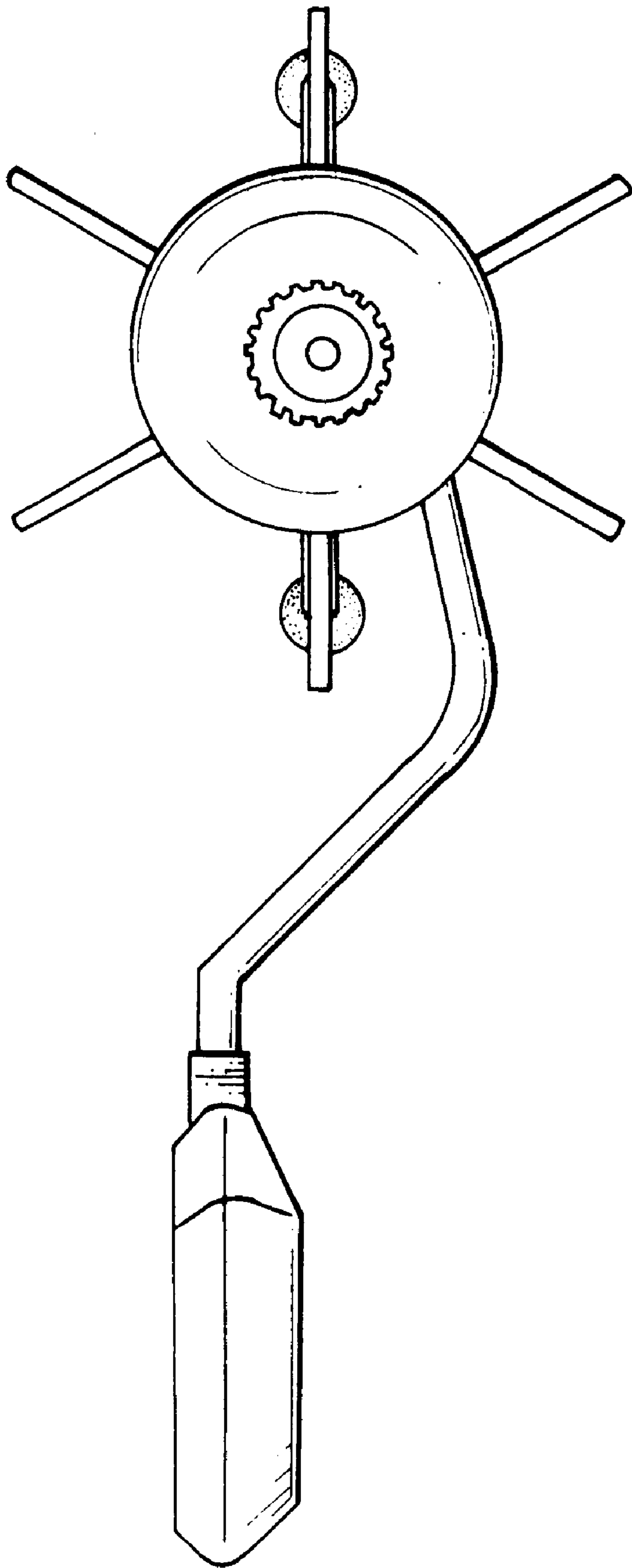


Fig. 3

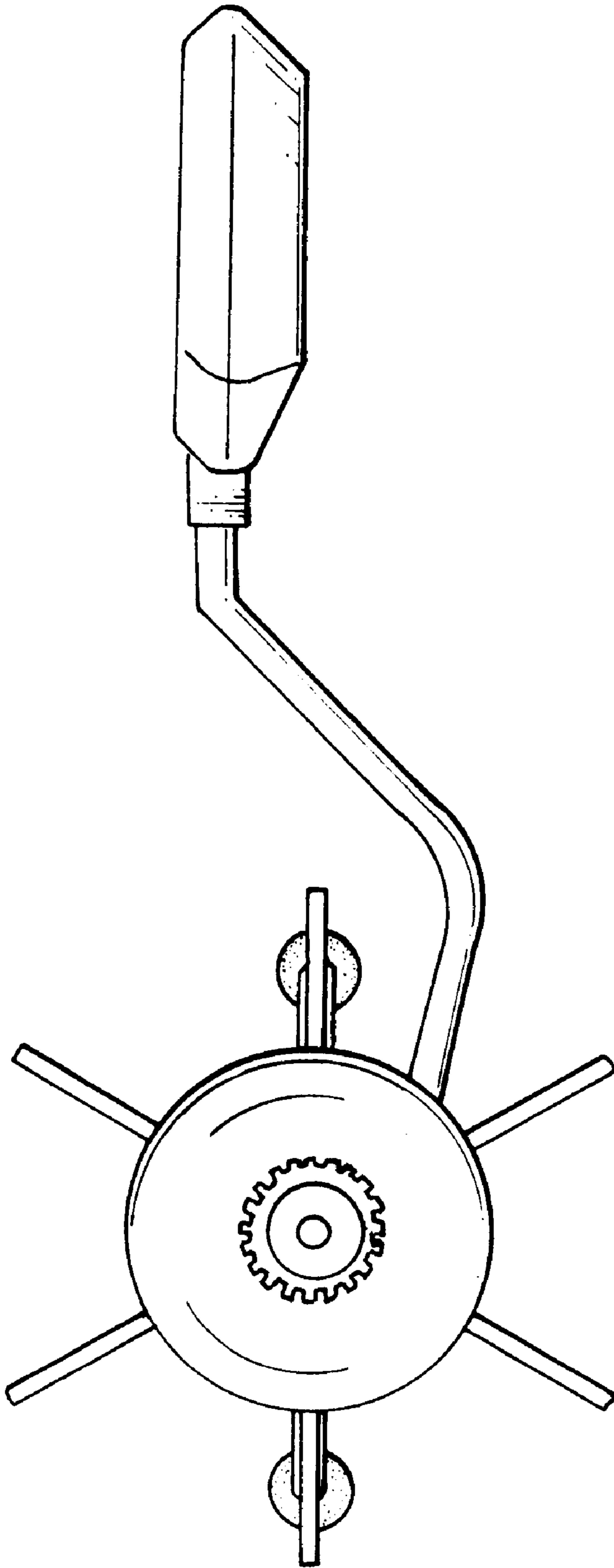


Fig. 4

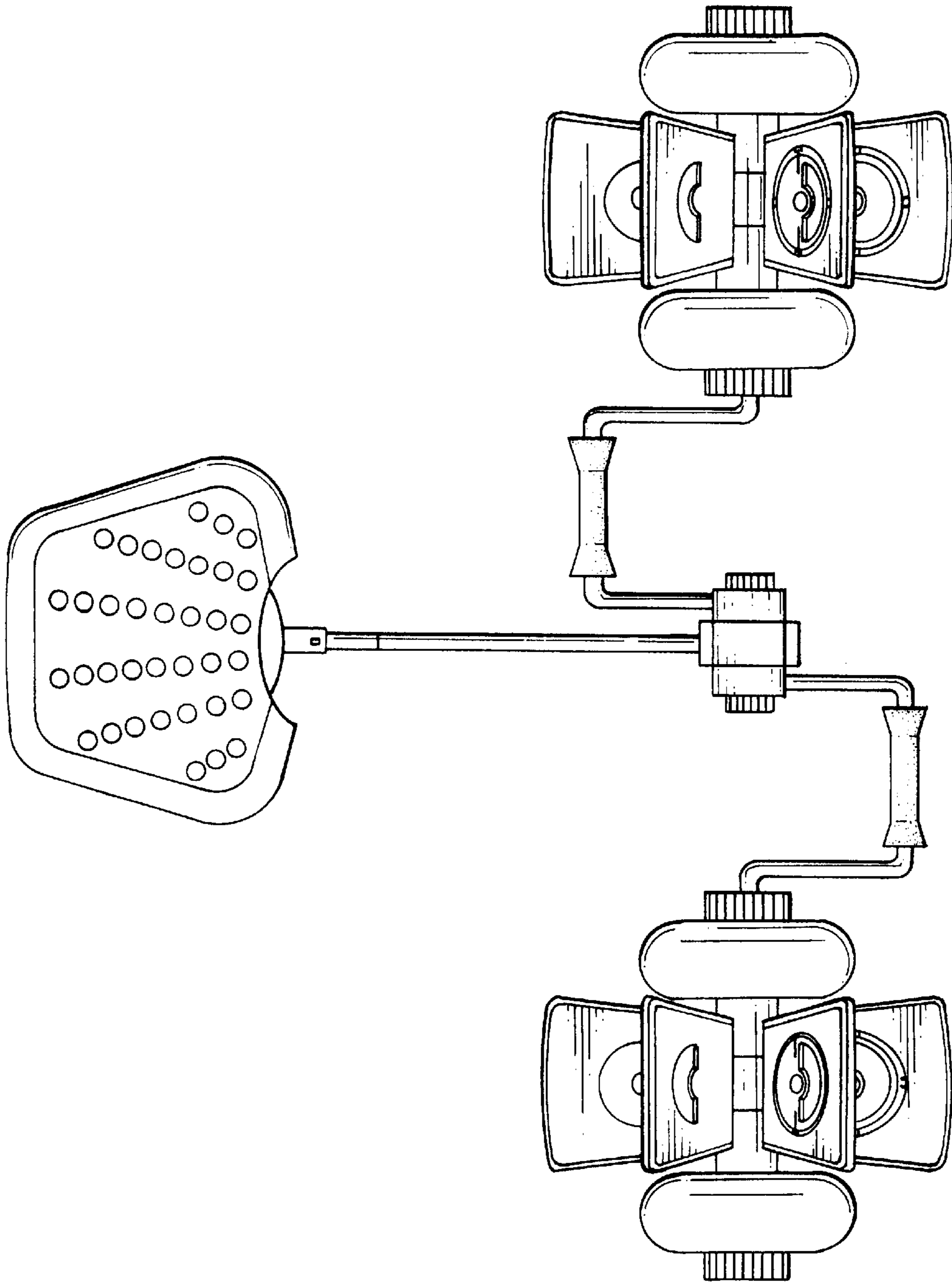


Fig. 5

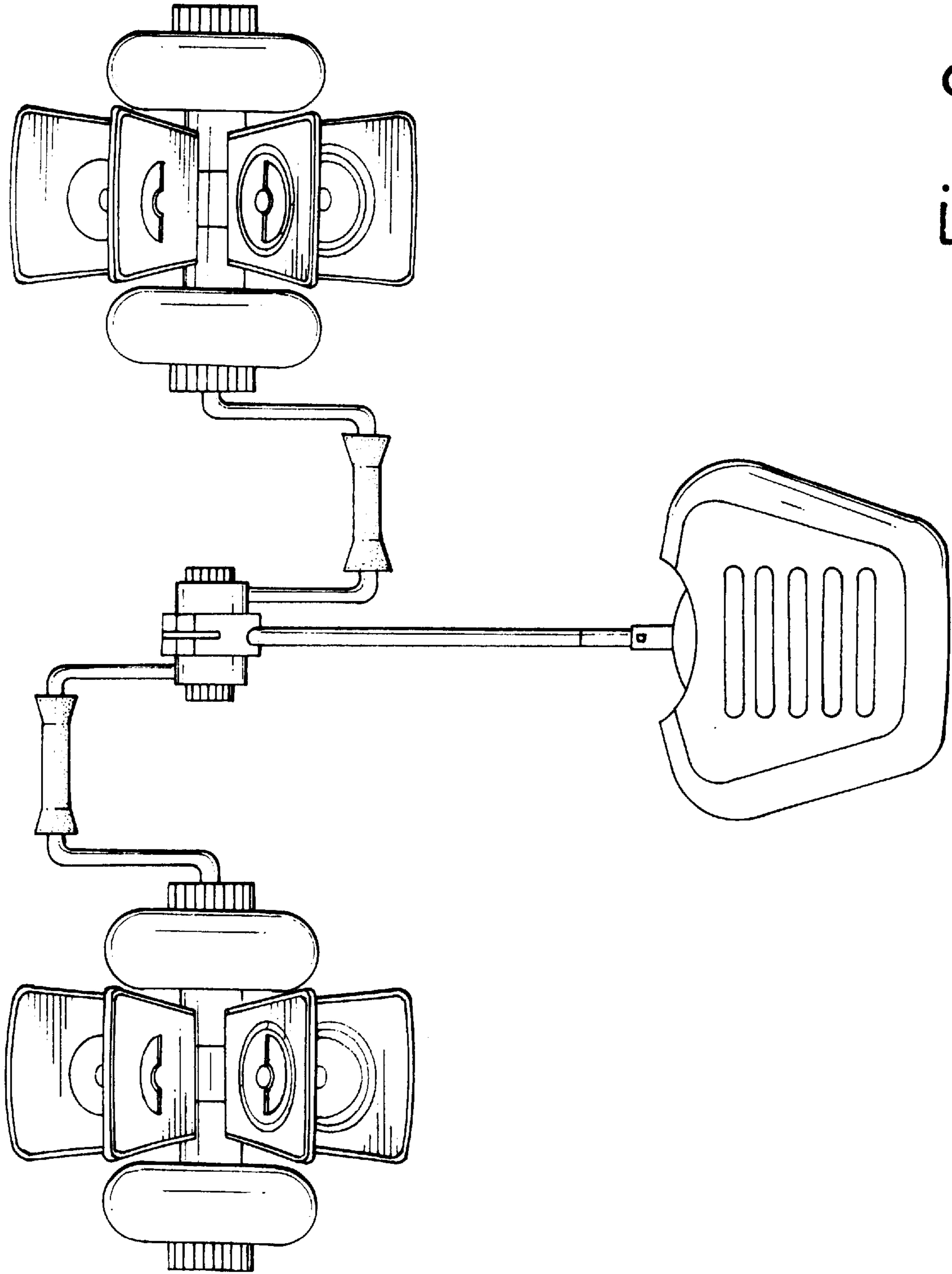


Fig.6

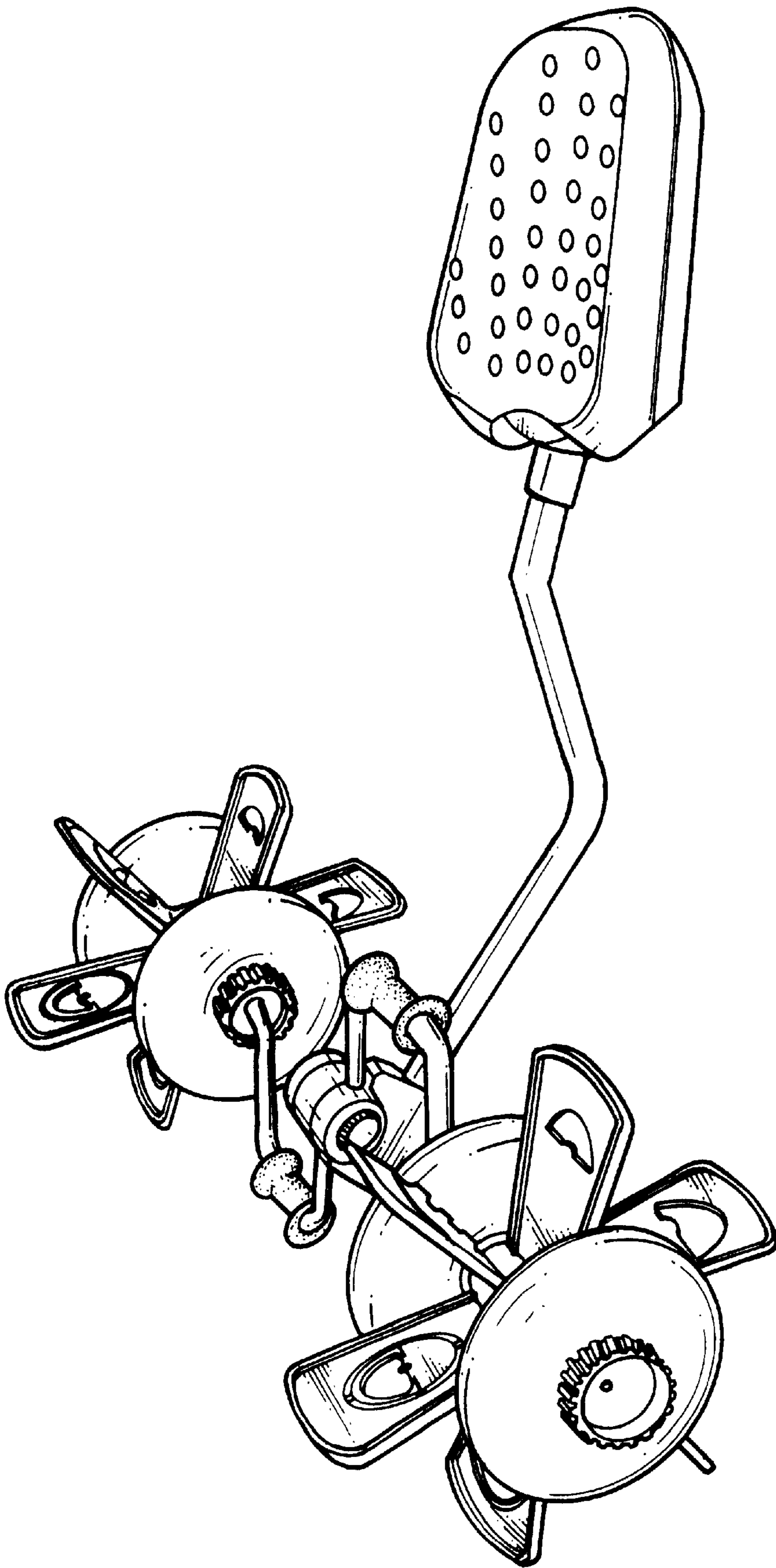


Fig. 7