



US00D416954S

United States Patent [19] Yu

[11] **Patent Number: Des. 416,954**

[45] **Date of Patent: ** Nov. 23, 1999**

[54] **TOY WATER GUN**

D. 347,250	5/1994	Yu	D21/572
5,238,149	8/1993	Johnson et al.	222/79
5,538,457	7/1996	Deal	446/473

[75] Inventor: **Jack Yu**, Alhambra, Calif.

[73] Assignee: **Regency Merchandise, Inc.**, Los Angeles, Calif.

Primary Examiner—Raphael Barkai
Attorney, Agent, or Firm—Levine & Mandelbaum

[**] Term: **14 Years**

[57] CLAIM

[21] Appl. No.: **29/102,641**

I claim the ornamental design of a toy water gun, as shown and described.

[22] Filed: **Mar. 29, 1999**

DESCRIPTION

[51] **LOC (6) Cl.** **21-01**

[52] **U.S. Cl.** **D21/572**

[58] **Field of Search** D21/567, 572-575;
D14/117.8; D23/225, 226; D22/103; 446/267,
473, 475; 222/78, 79; 239/211, 237, 229,
373; 124/78, 69, 6, 16, 27

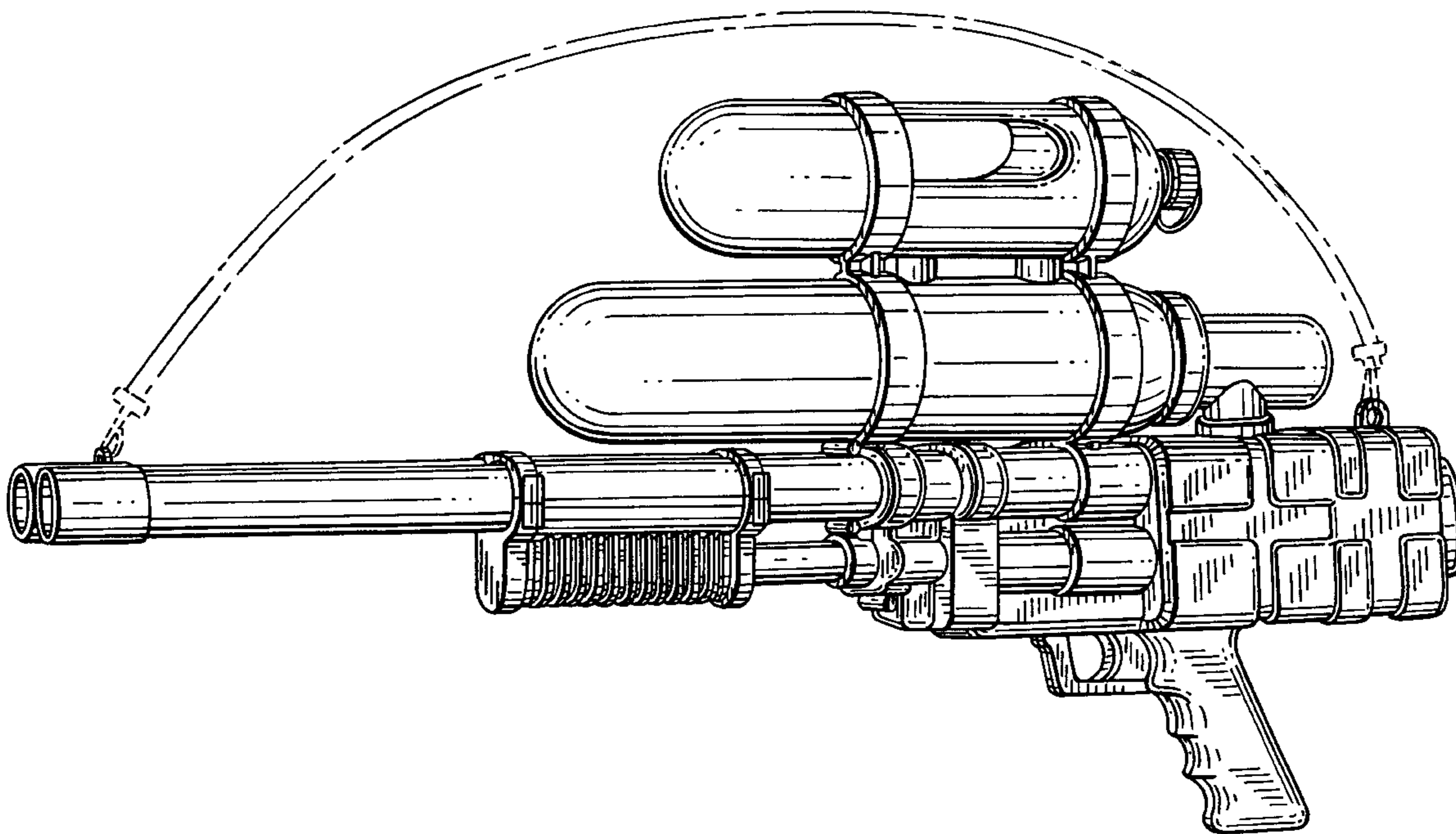
FIG. 1 is a right side perspective view of a toy water gun showing my new design;
FIG. 2 is a right side elevation view of the toy water gun;
FIG. 3 is a top plan view of the invention.
FIG. 4 is a front elevation view of the invention.
FIG. 5 is a rear elevation view of the invention.
FIG. 6 is a left side elevation view of the invention; and,
FIG. 7 is a bottom plan view of the invention.
The broken lines shown in FIG. 1 are for illustrative purposes only and form no part of the claimed design.

[56] References Cited

U.S. PATENT DOCUMENTS

D. 336,668	6/1993	D'Andrade	D21/572
D. 336,938	6/1993	D'Andrade	D21/572

1 Claim, 5 Drawing Sheets



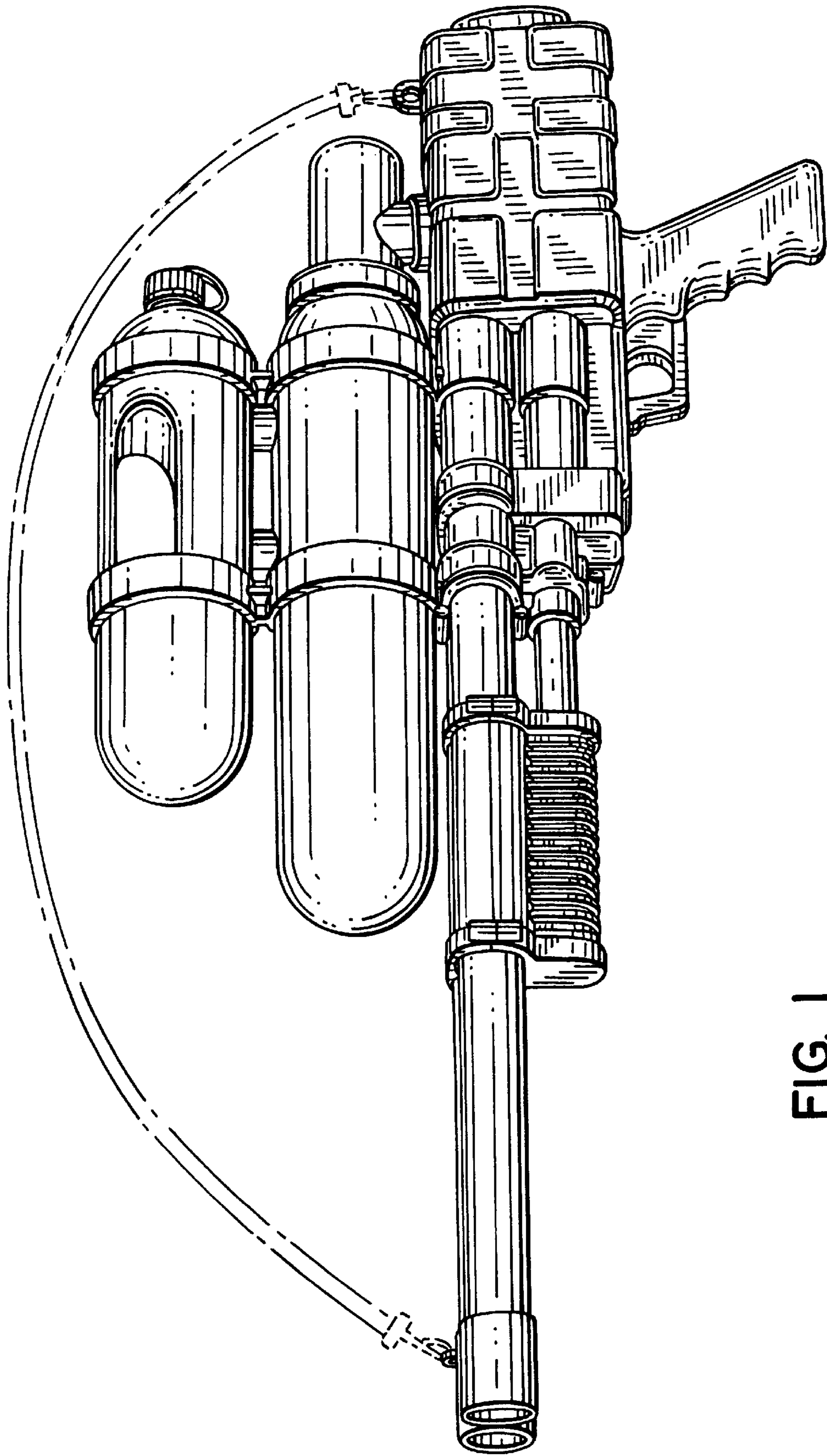


FIG. 1

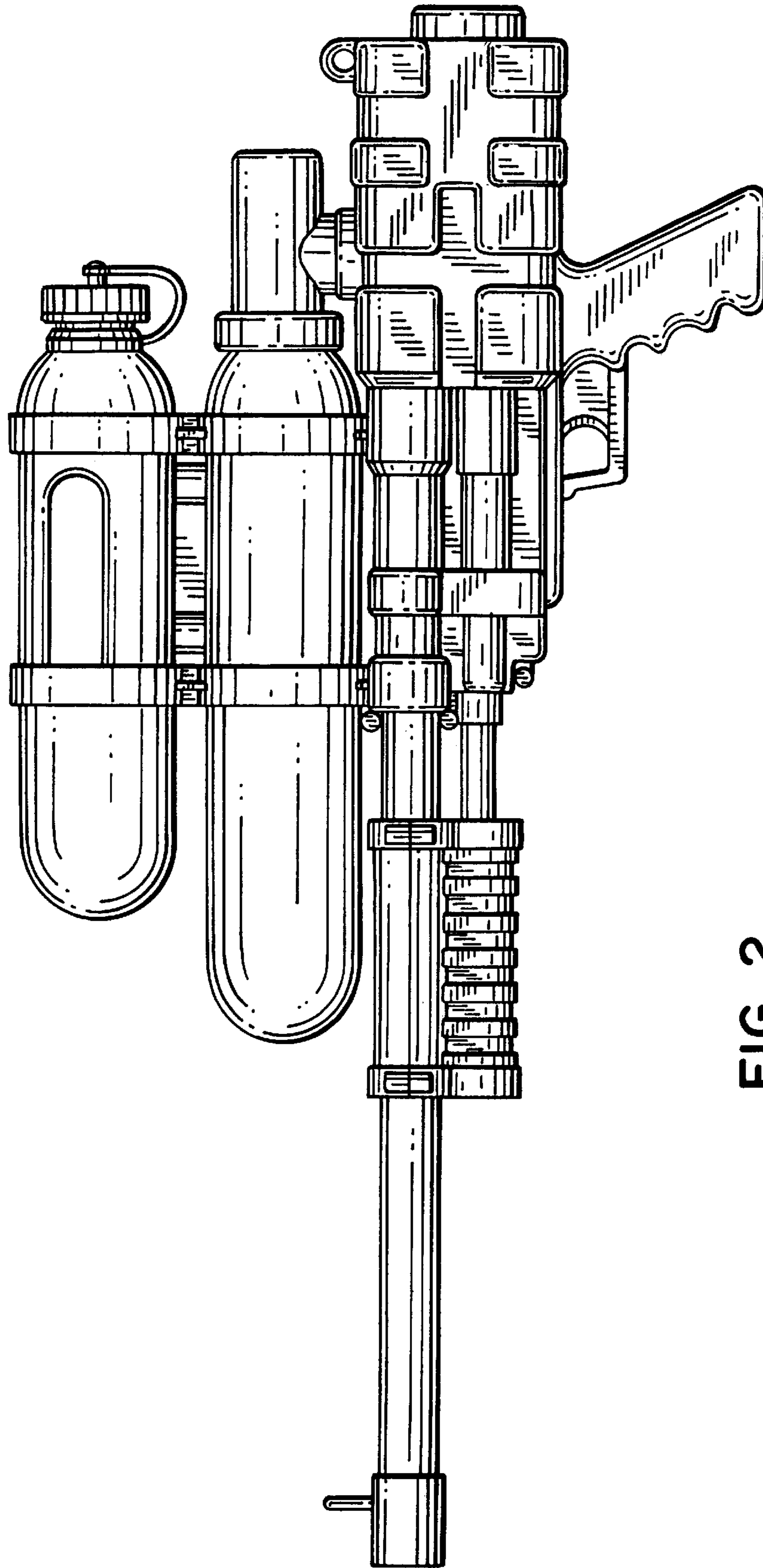


FIG. 2

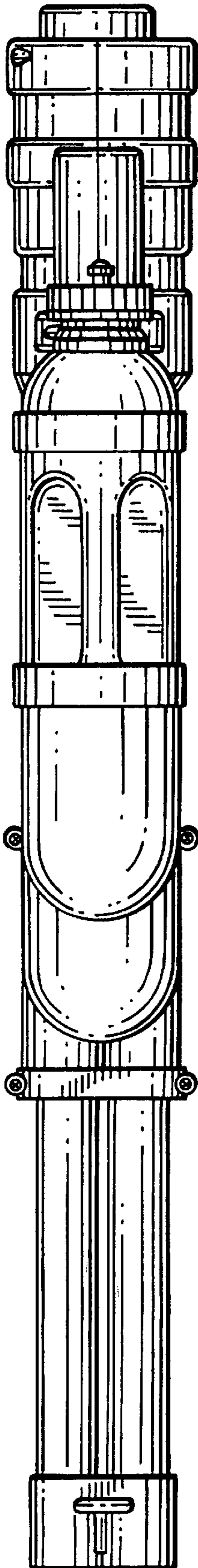


FIG. 3

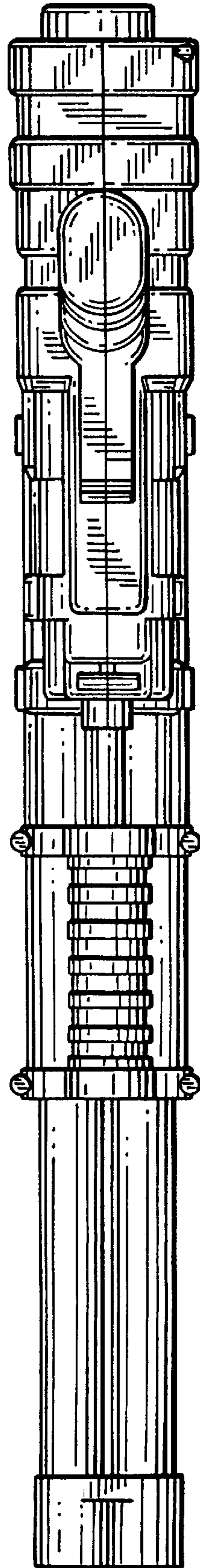


FIG. 7

FIG. 4

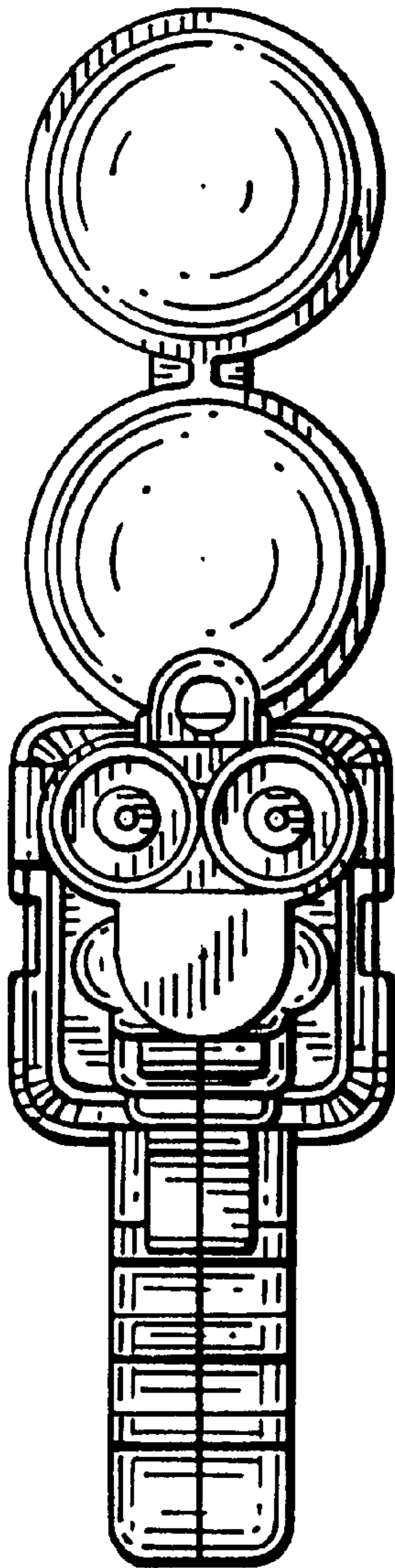
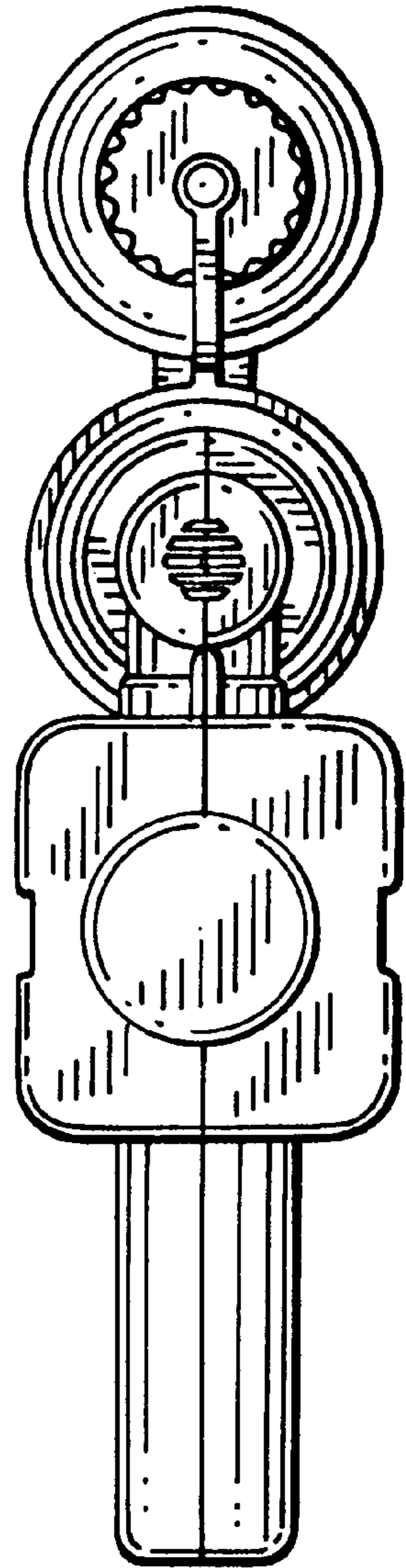


FIG. 5



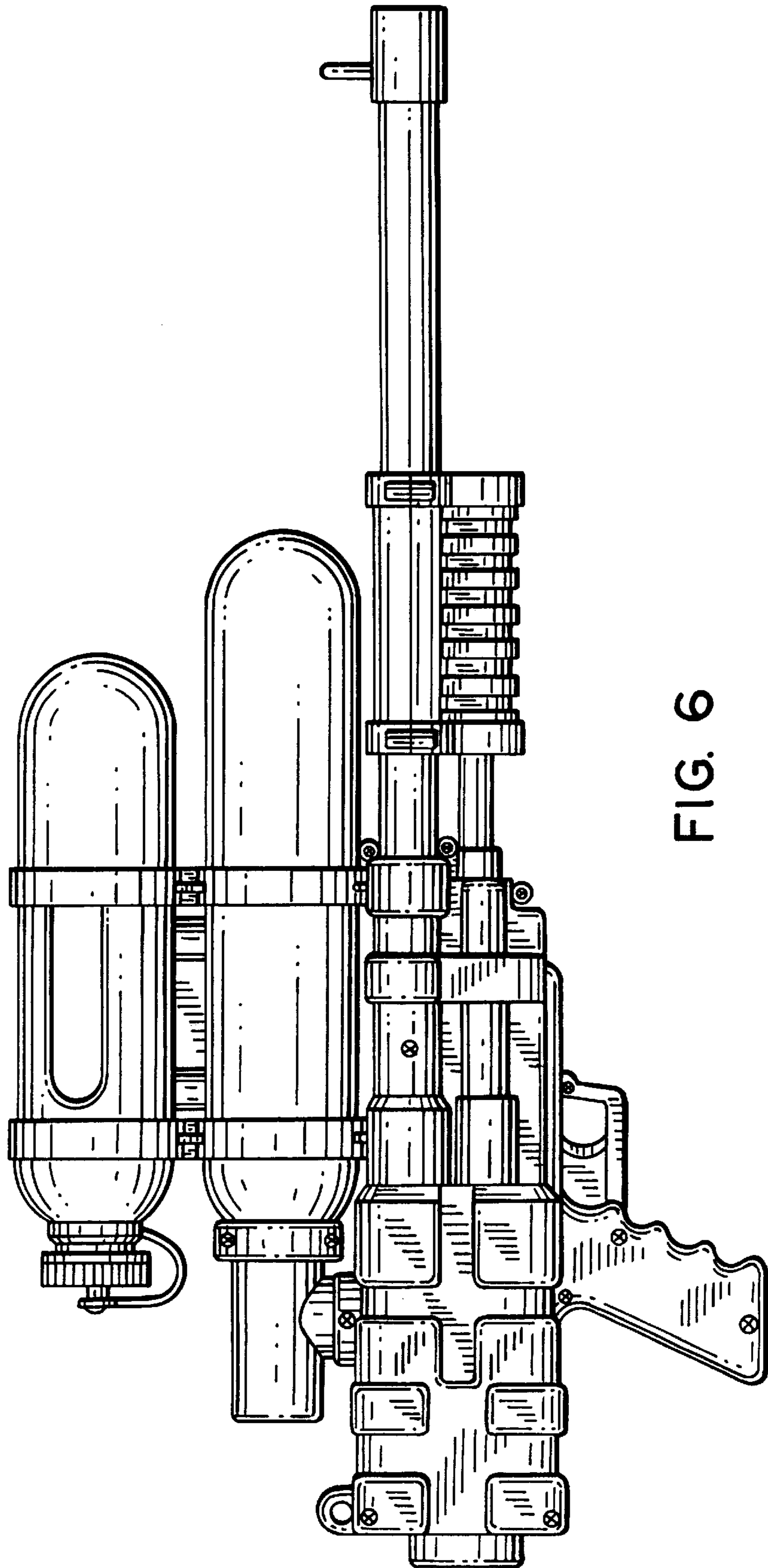


FIG. 6