



US00D416952S

United States Patent [19]
Wei

[11] **Patent Number: Des. 416,952**

[45] **Date of Patent: ** Nov. 23, 1999**

[54] **TOY VEHICLE**

[75] Inventor: **Kam Wah Wei**, Kowloon, The Hong Kong Special Administrative Region of the People's Republic of China

[73] Assignee: **Wah Hing Toys Development Co., Ltd.**, Kowloon, The Hong Kong Special Administrative Region of the People's Republic of China

[**] Term: **14 Years**

[21] Appl. No.: **29/102,022**

[22] Filed: **Mar. 16, 1999**

[51] **LOC (6) Cl.** **21-01**

[52] **U.S. Cl.** **D21/554**

[58] **Field of Search** D21/533, 537, D21/539, 552-560, 424, 431-435; D12/135; 446/424-428, 447, 456, 465, 470

[56] **References Cited**

U.S. PATENT DOCUMENTS

D. 252,892 9/1979 Shigenori D21/554

D. 305,555 1/1990 Spielberg D21/554
D. 362,035 9/1995 Klawitter D21/554
3,711,990 1/1973 Pfeilsticker 446/428
5,383,808 1/1995 DuBois 446/428

Primary Examiner—Raphael Barkai
Attorney, Agent, or Firm—Leydig, Voit & Mayer, Ltd.

[57] **CLAIM**

The ornamental design for a toy vehicle, as shown and described.

DESCRIPTION

FIG. 1 is a left side elevational view of a toy vehicle showing my new design;

FIG. 2 is a right side elevational view thereof;

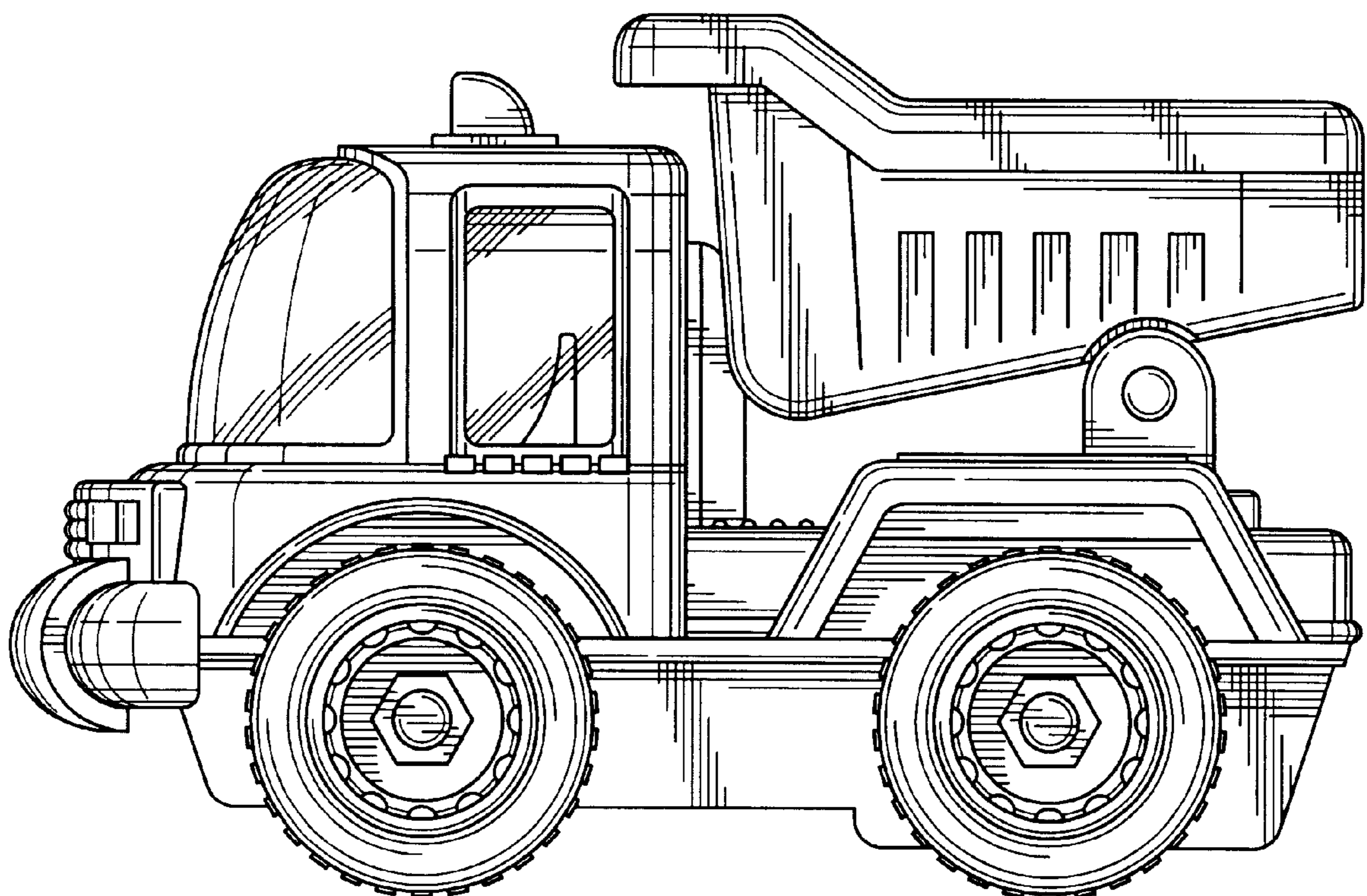
FIG. 3 is a front end elevational view thereof;

FIG. 4 is a rear end elevational view thereof;

FIG. 5 is a top plan view thereof; and,

FIG. 6 is a bottom plan view thereof.

1 Claim, 3 Drawing Sheets



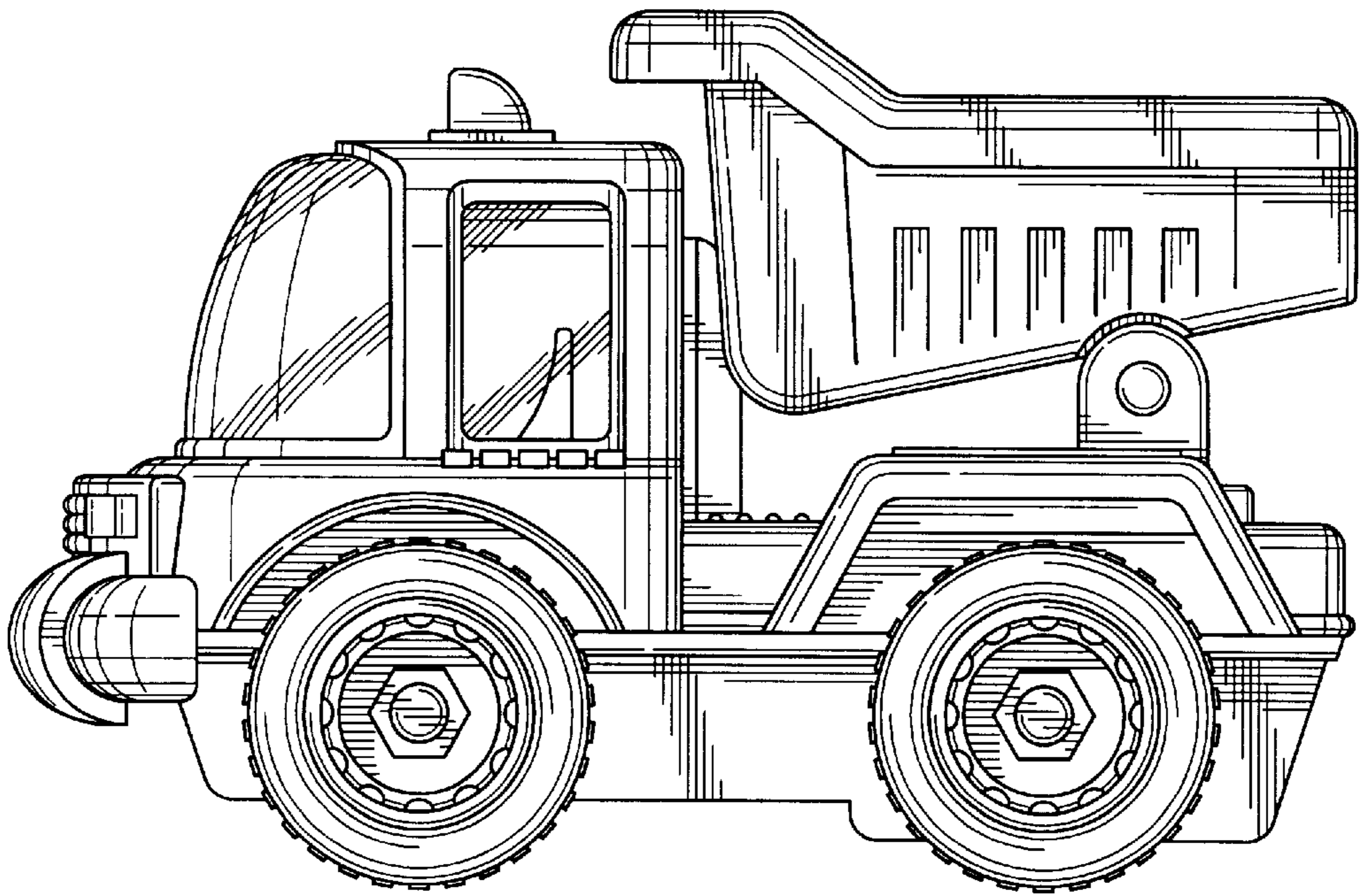


FIG. 1

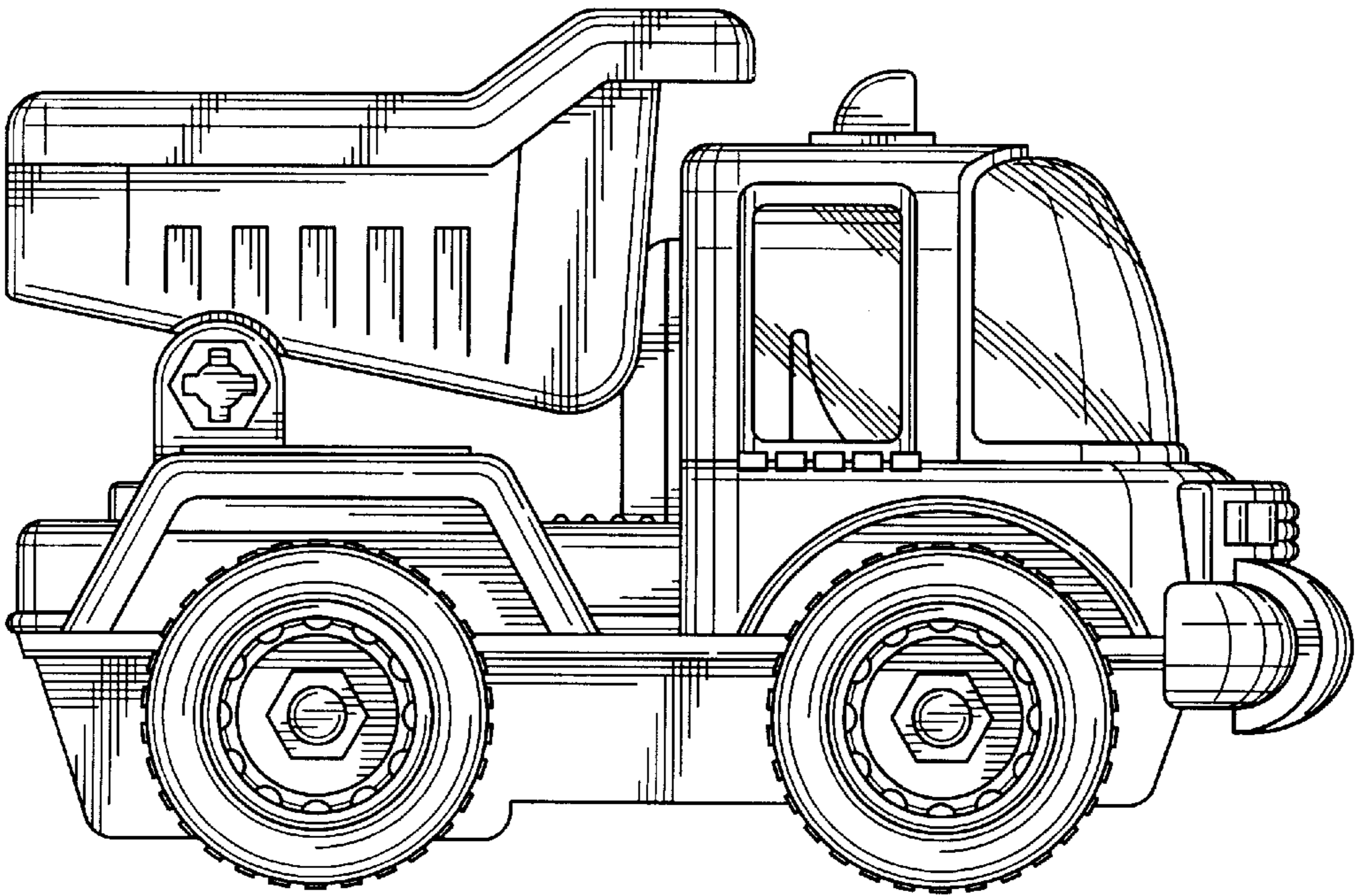


FIG. 2

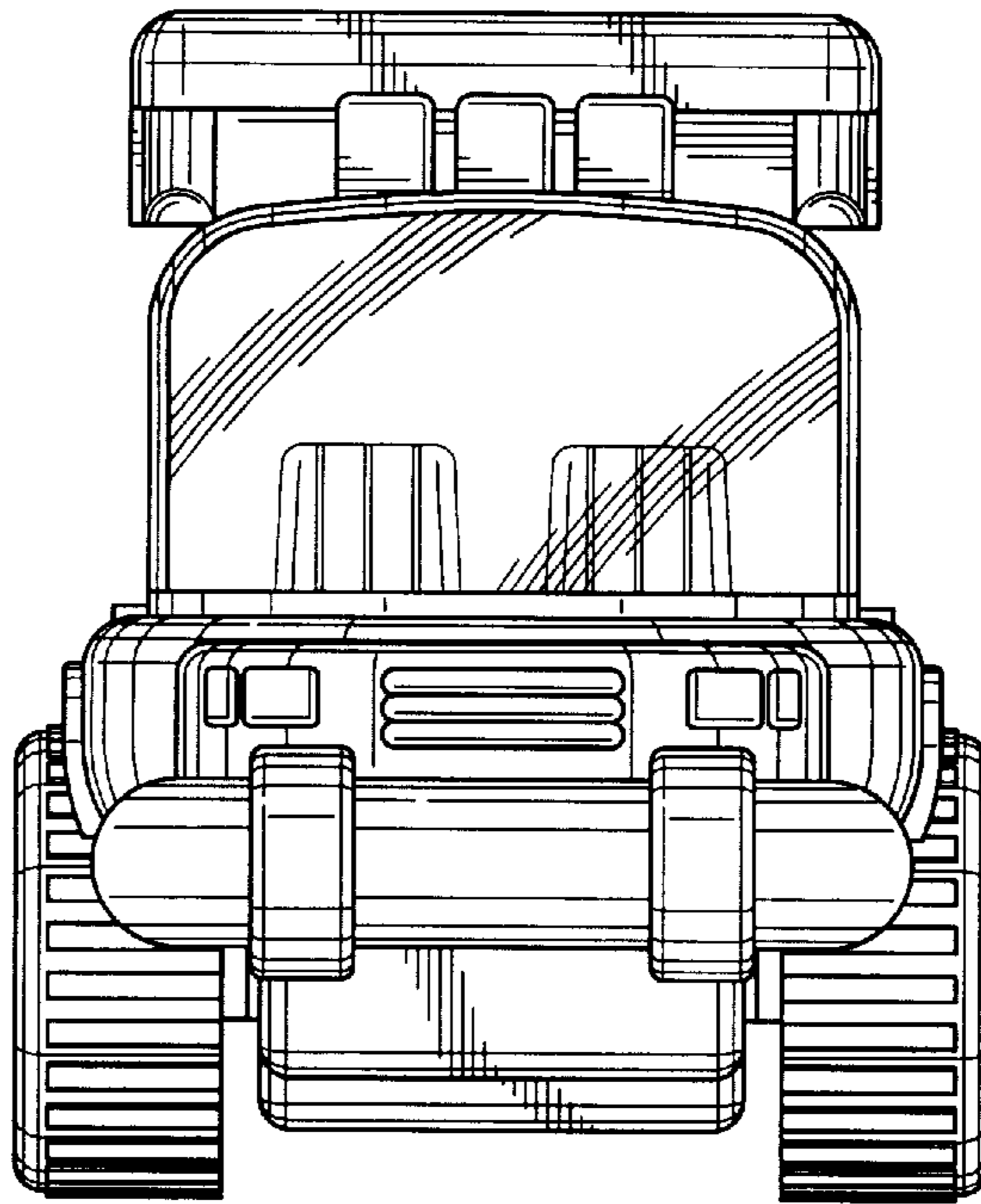


FIG. 3

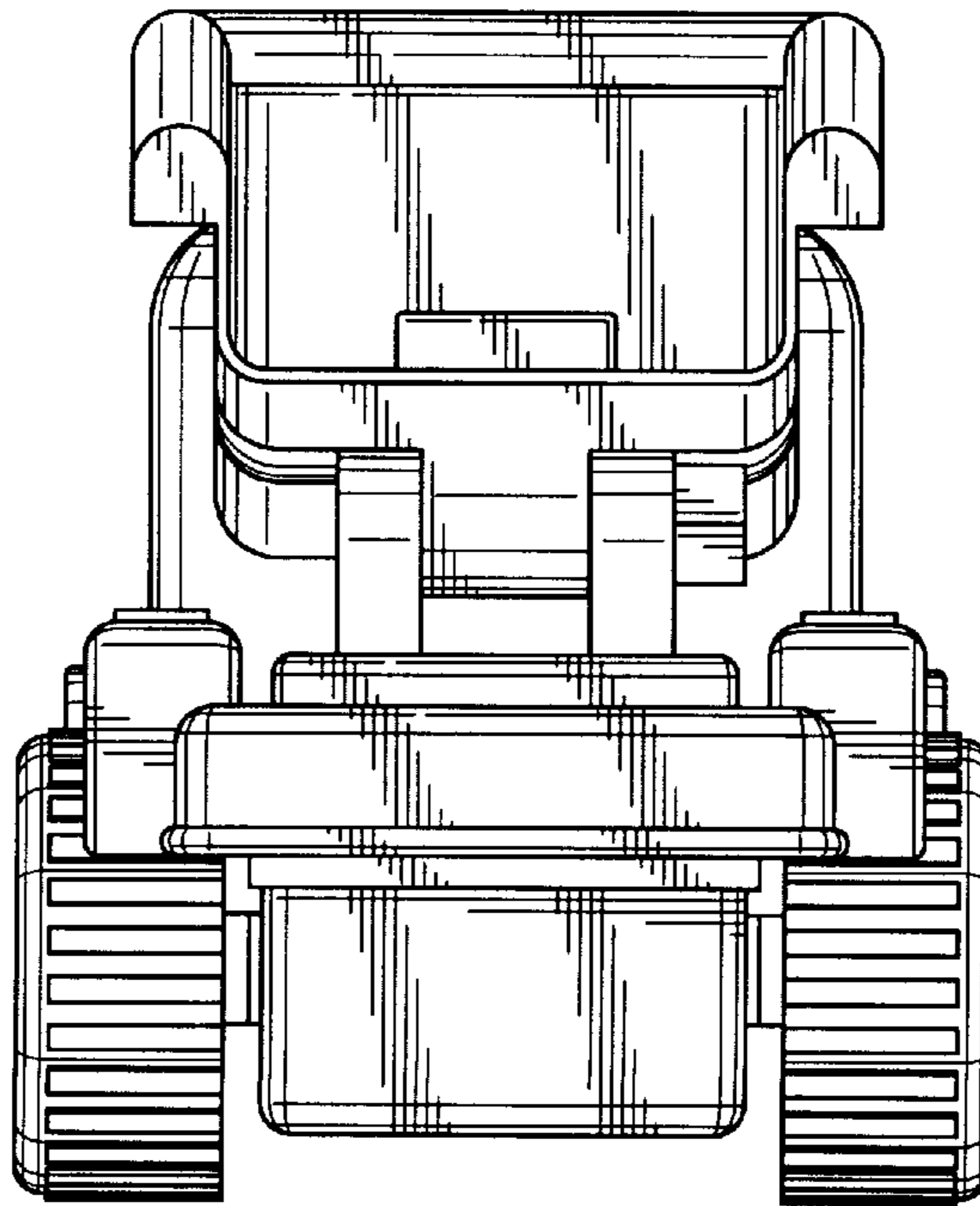


FIG. 4

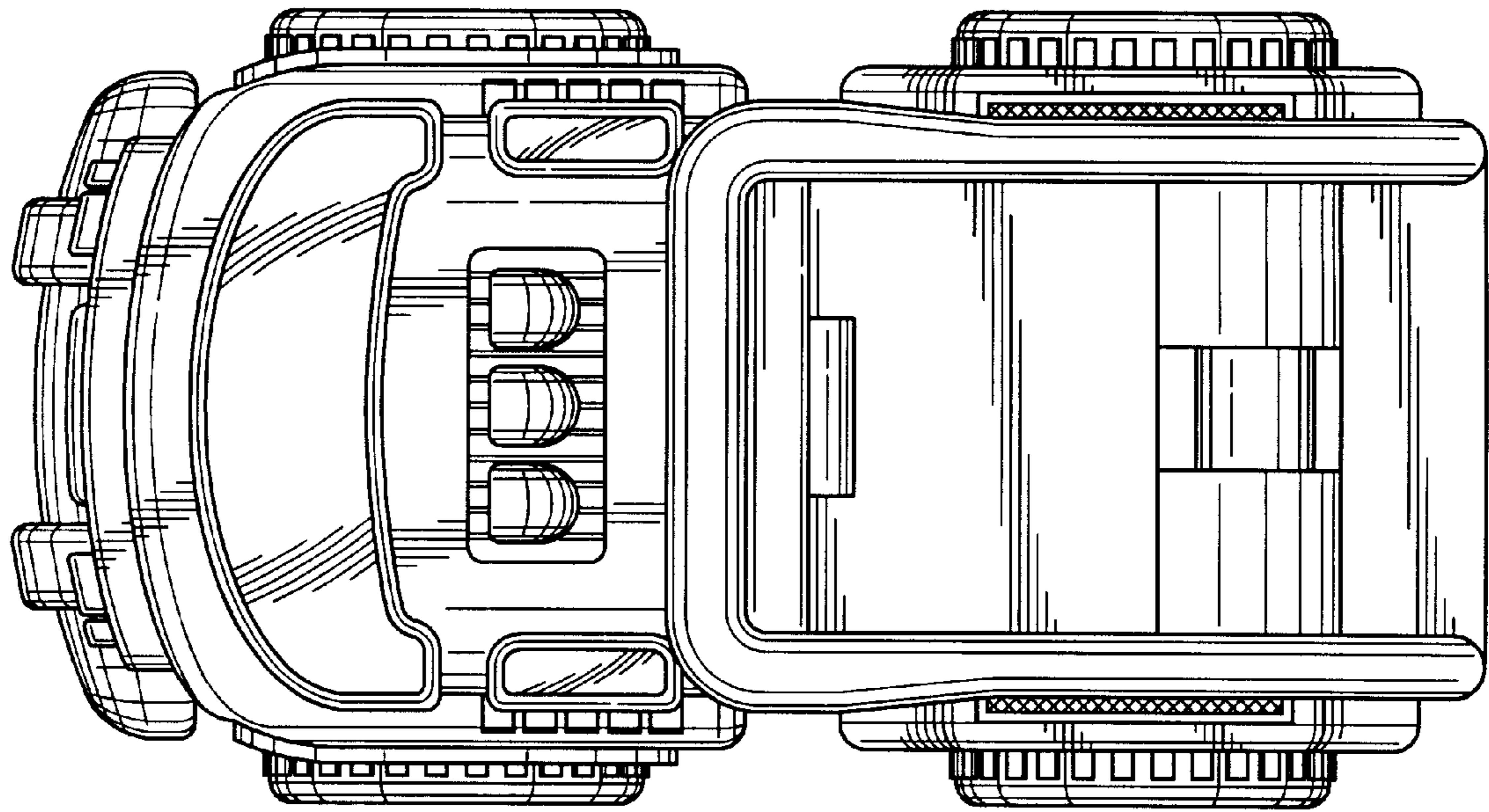


FIG. 5

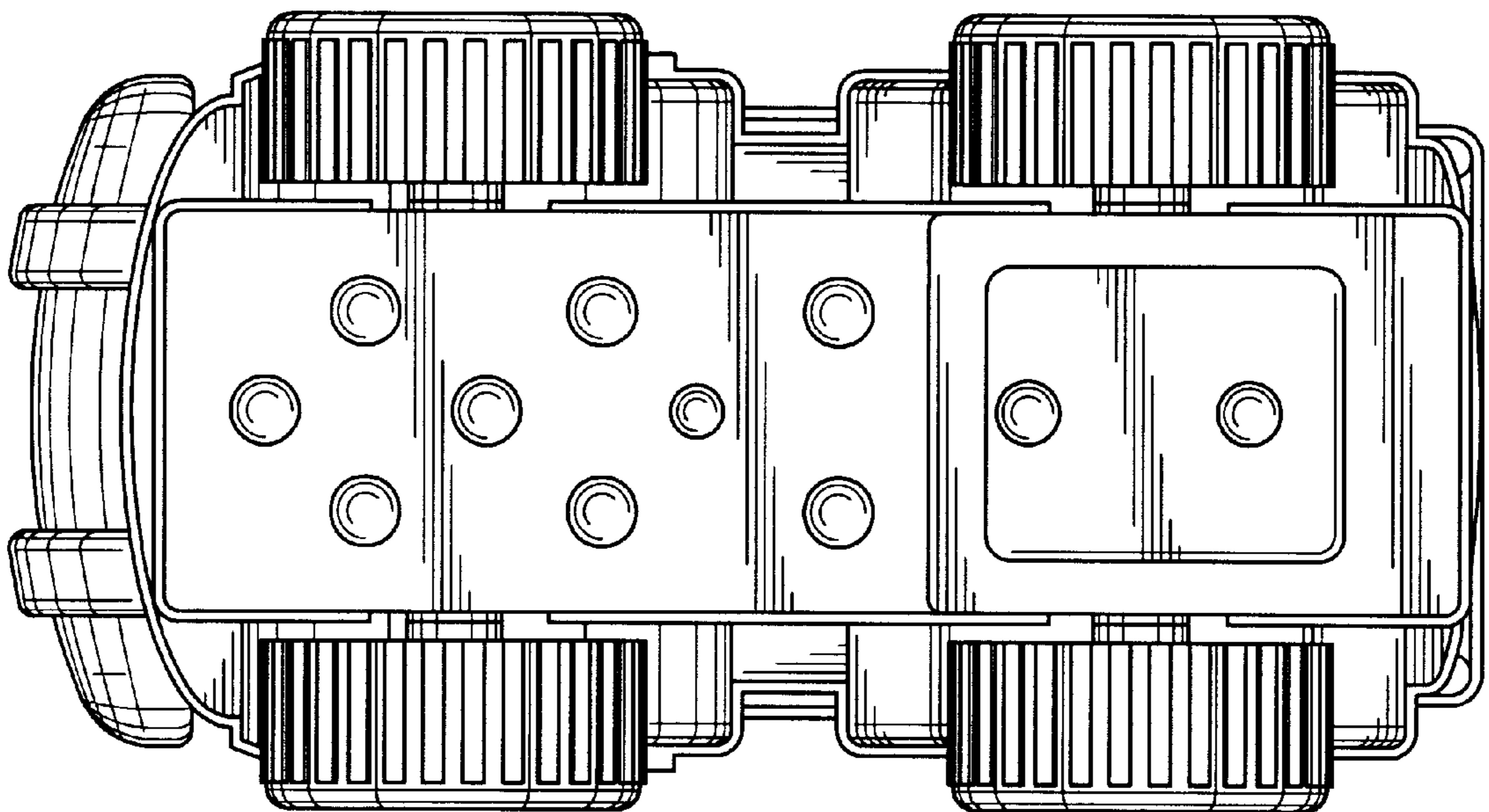


FIG. 6