



US00D416951S

United States Patent [19] Wei

[11] **Patent Number: Des. 416,951**

[45] **Date of Patent: ** Nov. 23, 1999**

[54] **TOY VEHICLE**

D. 251,750 5/1979 Shigenori D21/553
D. 390,891 2/1998 Xu D21/553
3,037,750 6/1962 Cagan et al. 446/428

[75] Inventor: **Kam Wah Wei**, Kowloon, The Hong Kong Special Administrative Region of the People's Republic of China

Primary Examiner—Raphael Barkai
Attorney, Agent, or Firm—Leydig, Voit & Mayer, Ltd.

[73] Assignee: **Wah Hing Toys Development Co., Ltd.**, Kowloon, The Hong Kong Special Administrative Region of the People's Republic of China

[57] **CLAIM**

The ornamental design for a toy vehicle, as shown and described.

[**] Term: **14 Years**

DESCRIPTION

[21] Appl. No.: **29/102,140**

FIG. 1 is a left side elevational view of a toy vehicle showing my new design;

[22] Filed: **Mar. 17, 1999**

FIG. 2 is a right side elevational view thereof;

[51] **LOC (6) Cl.** **21-01**

[52] **U.S. Cl.** **D21/553**

FIG. 3 is a front end elevational view thereof;

[58] **Field of Search** D21/533, 537,
D21/539, 552-560, 424, 431-435; 446/327,
424-428, 447, 465, 470

FIG. 4 is a rear end elevational view thereof;

FIG. 5 is a top plan view thereof; and,

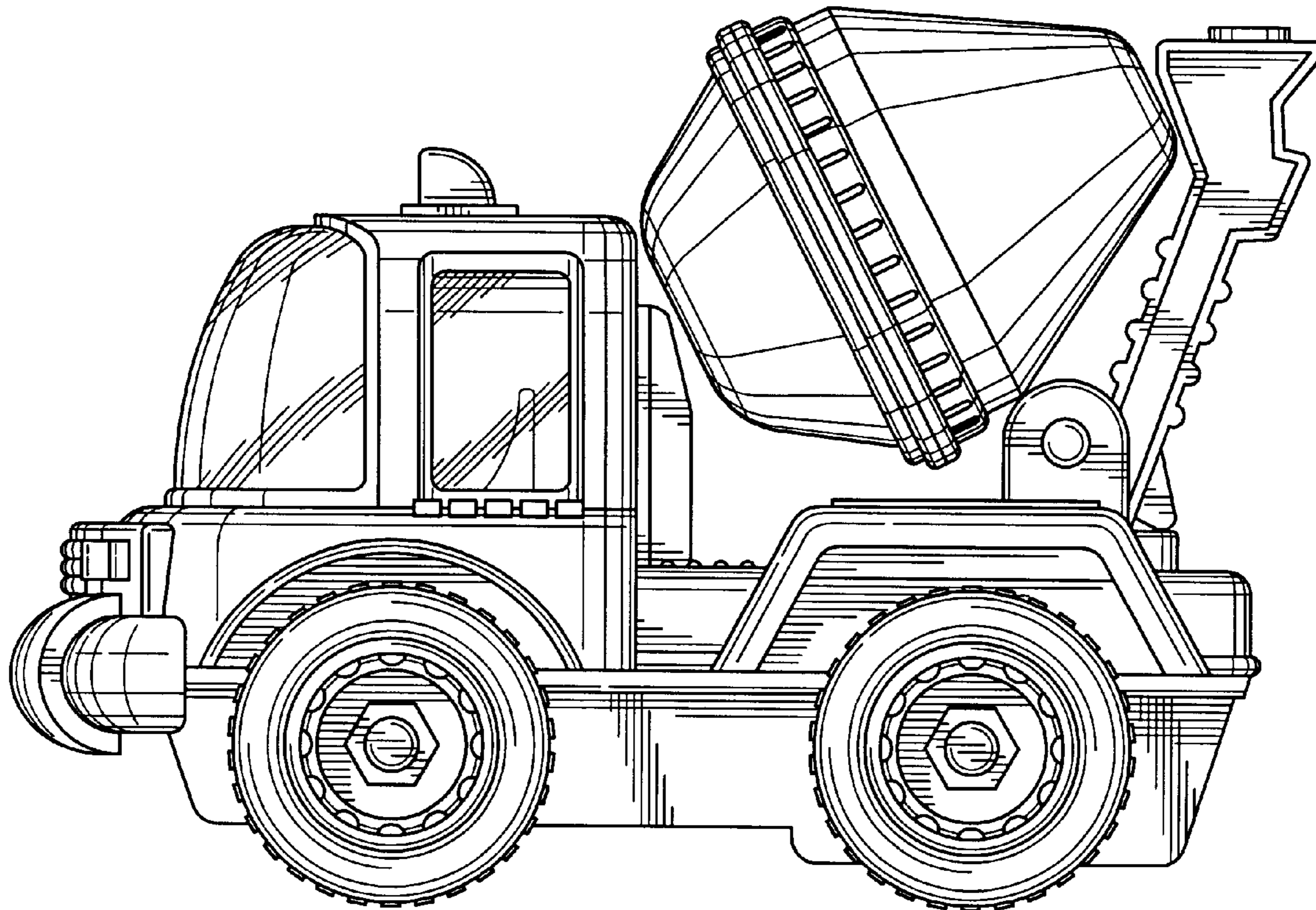
FIG. 6 is a bottom plan view thereof.

[56] **References Cited**

U.S. PATENT DOCUMENTS

D. 226,013 1/1973 Ogasawara D21/553

1 Claim, 3 Drawing Sheets



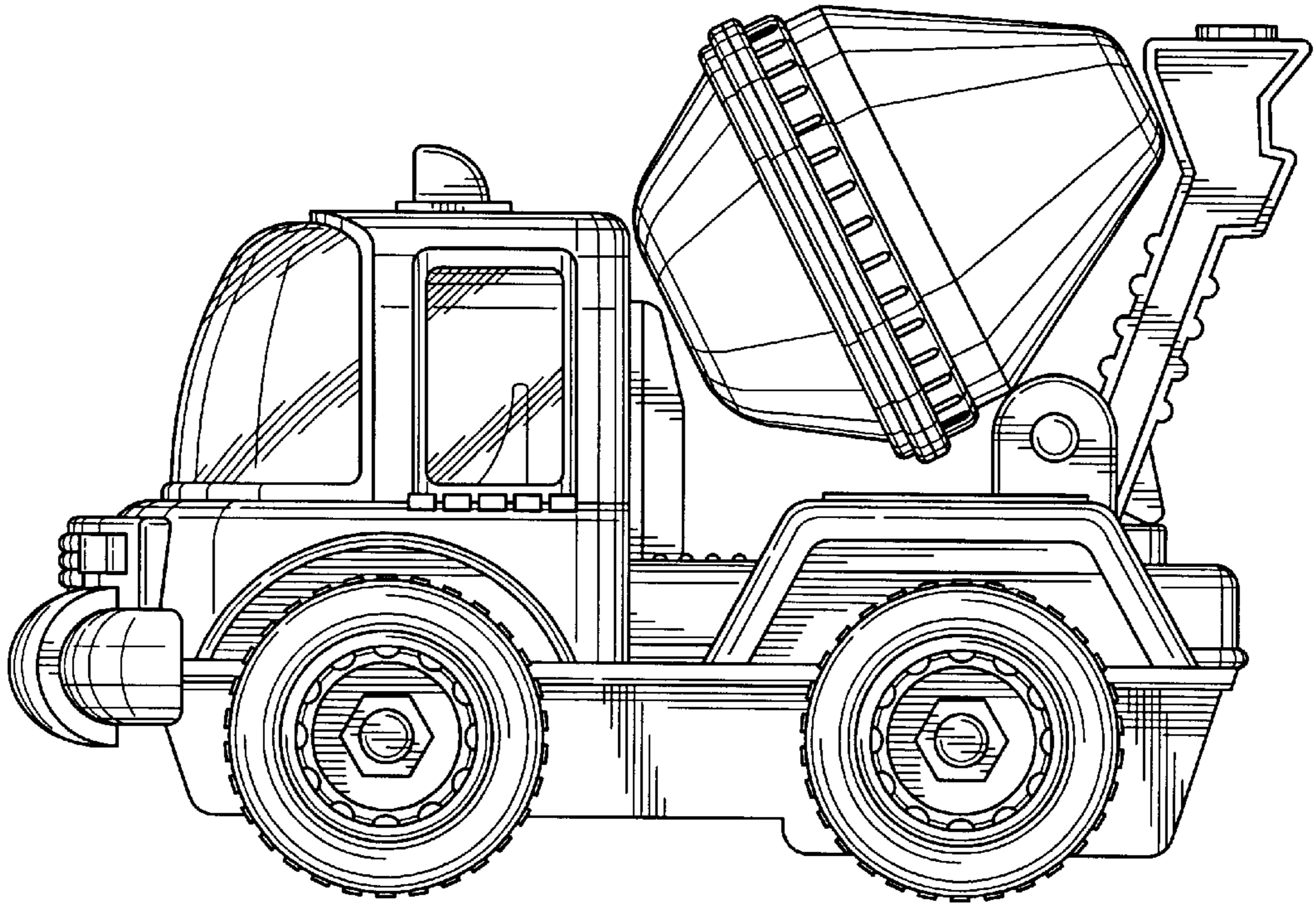


FIG. 1

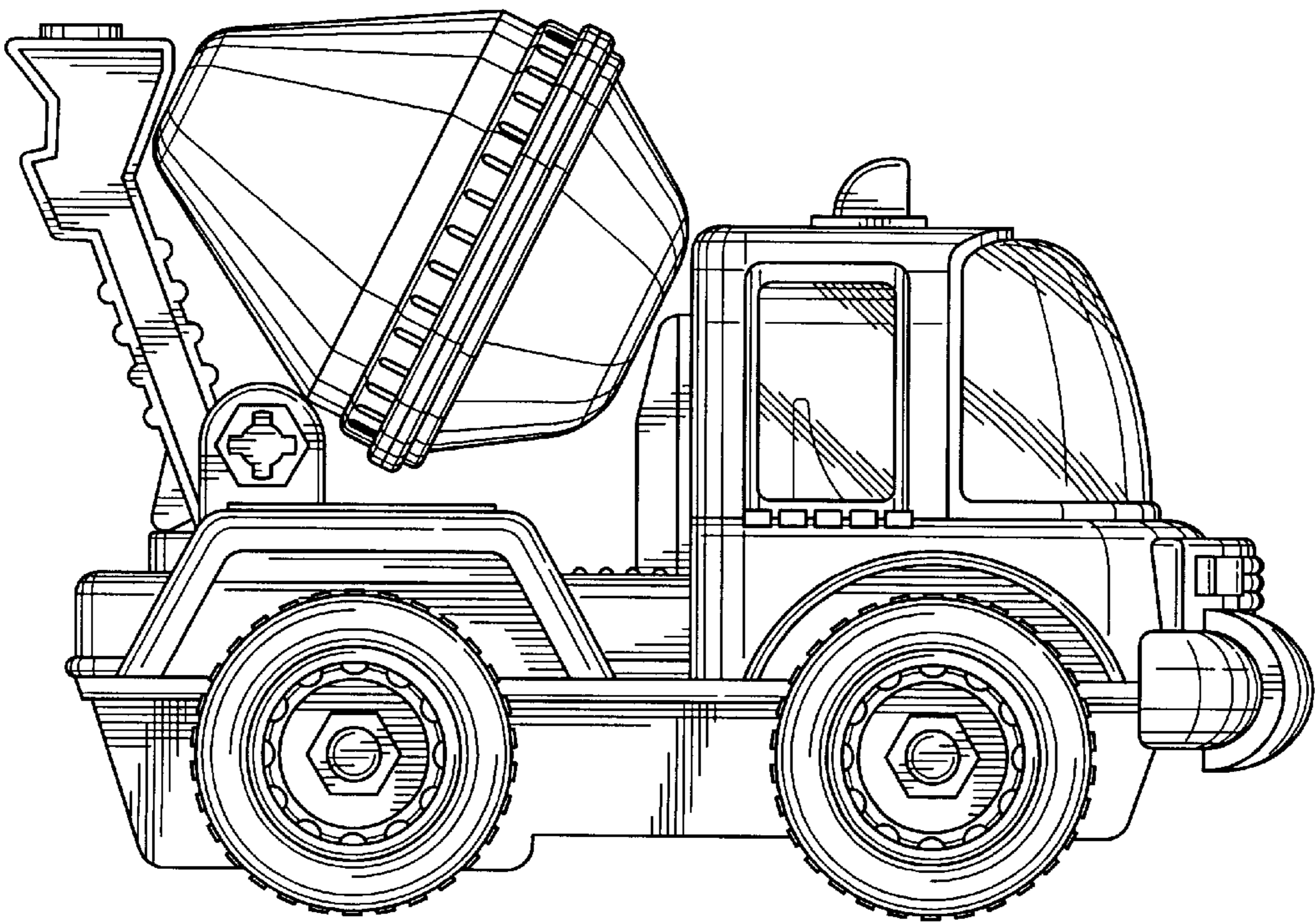


FIG. 2

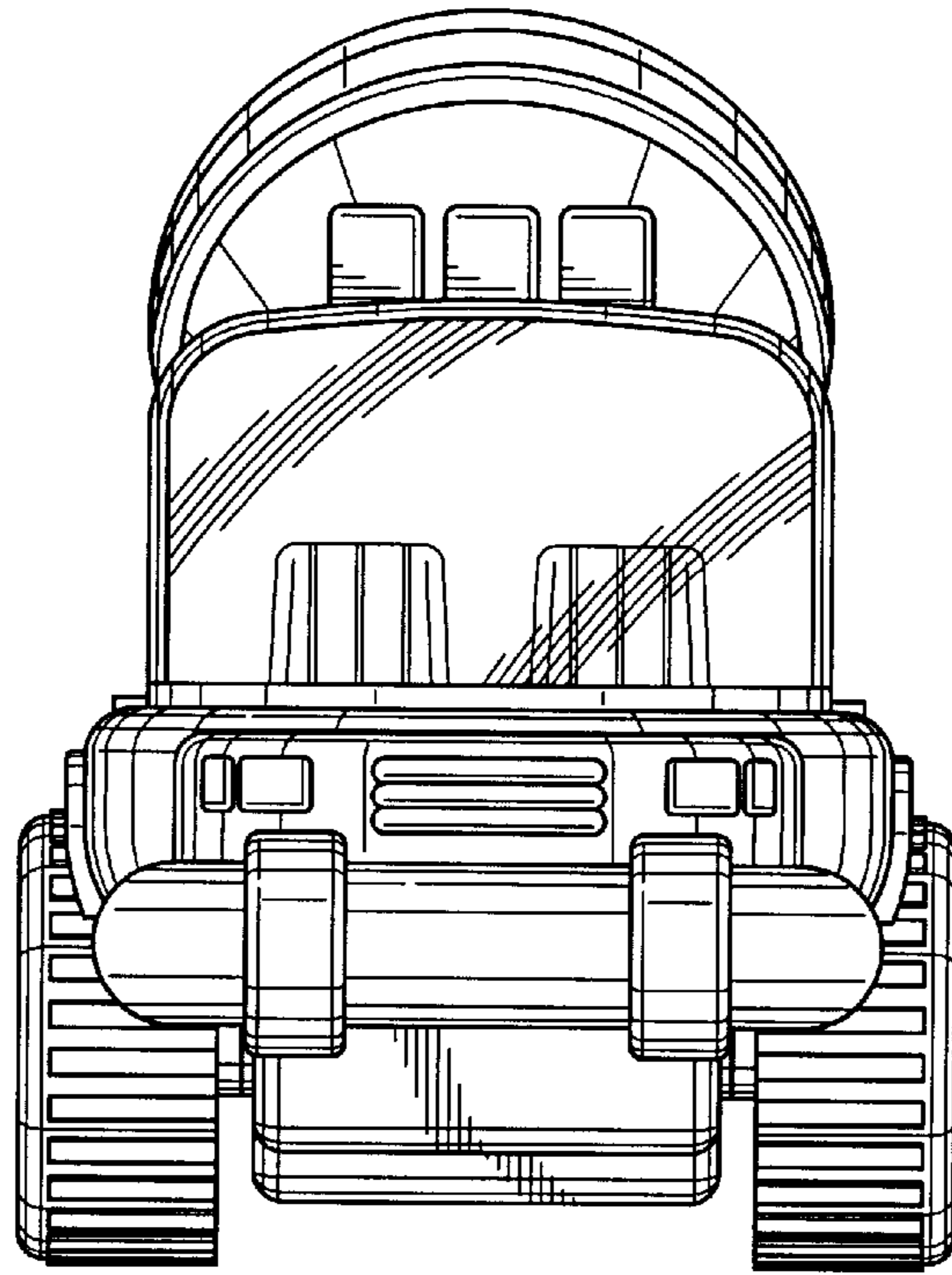


FIG. 3

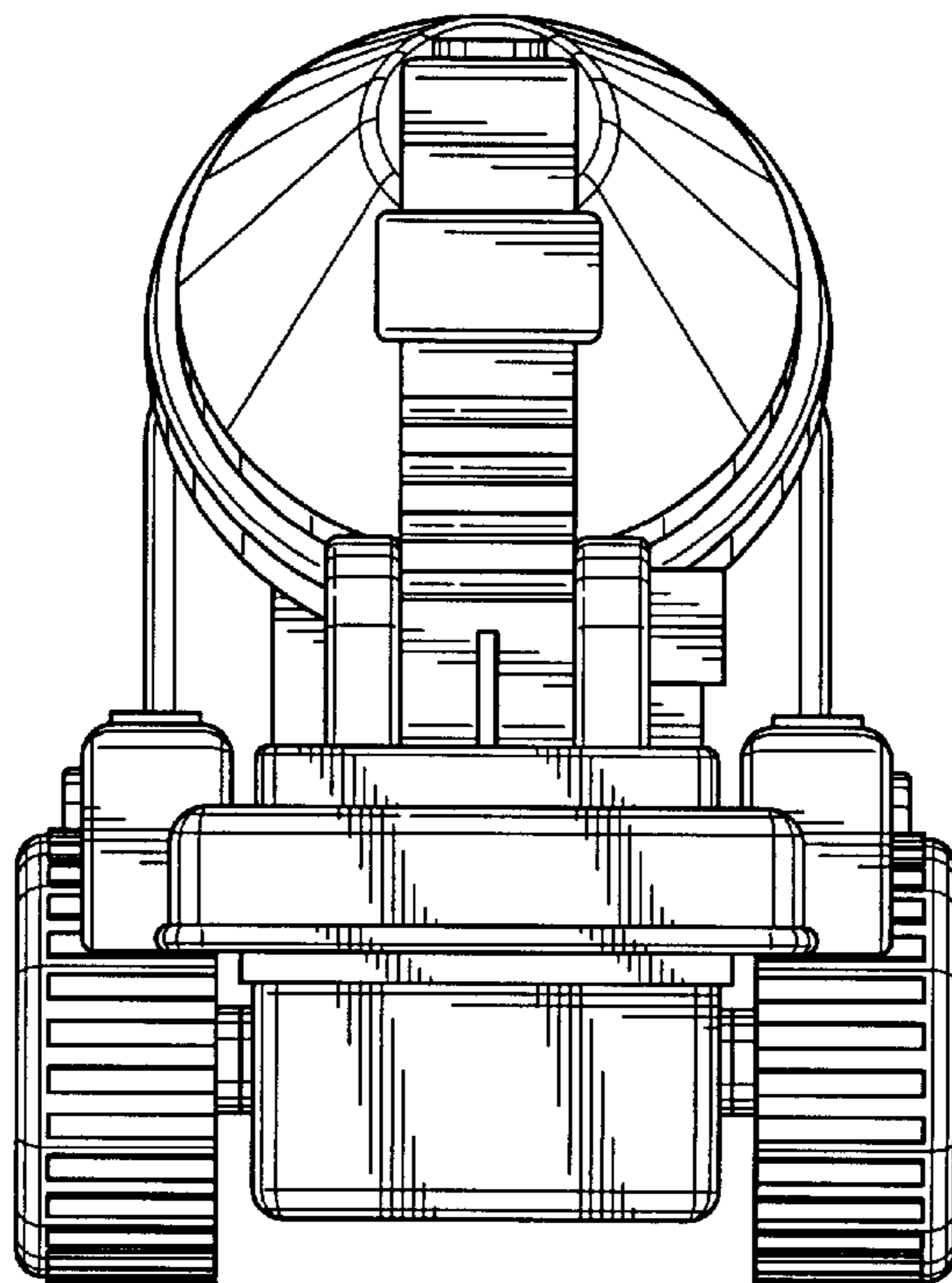


FIG. 4

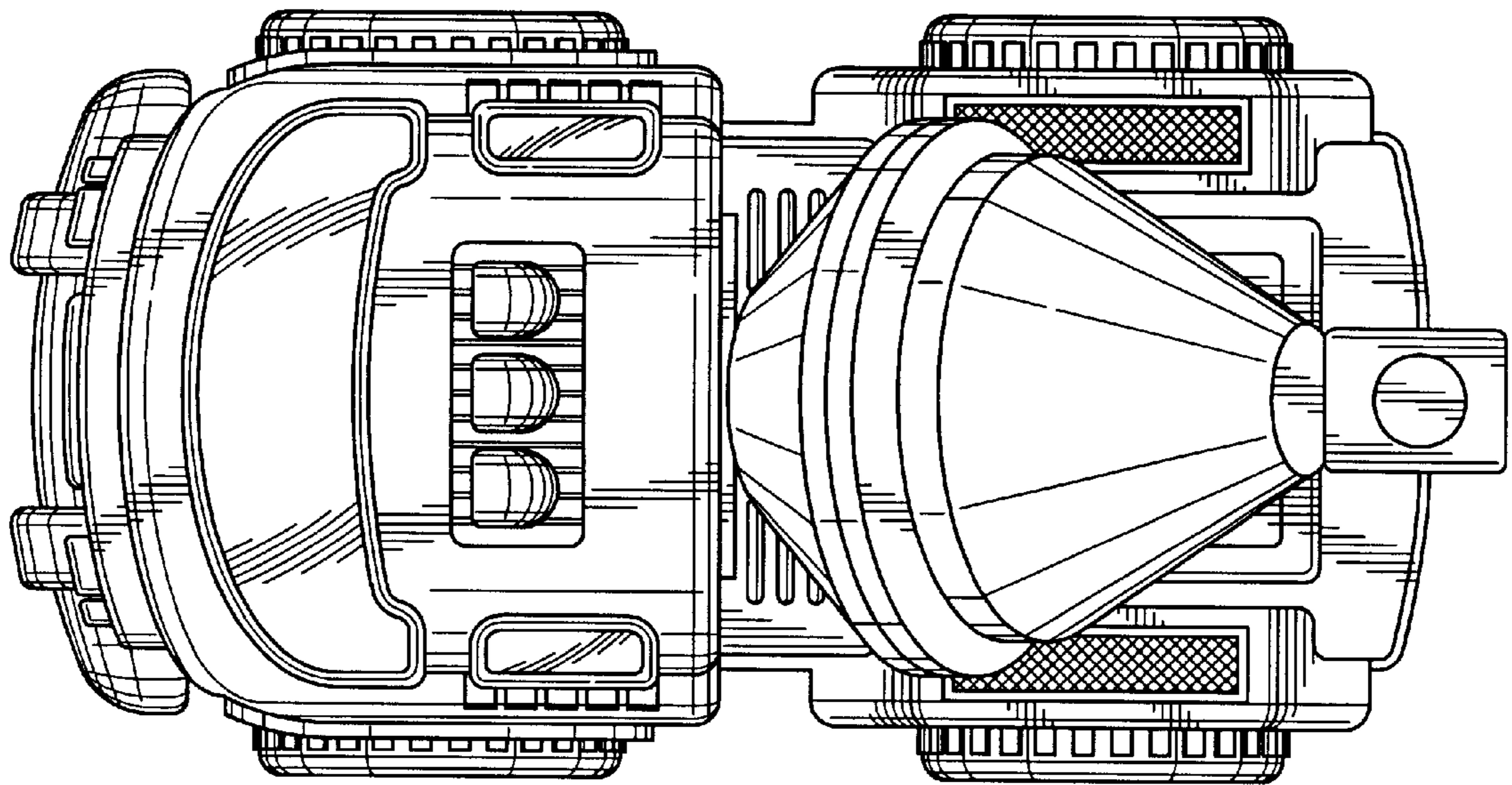


FIG. 5

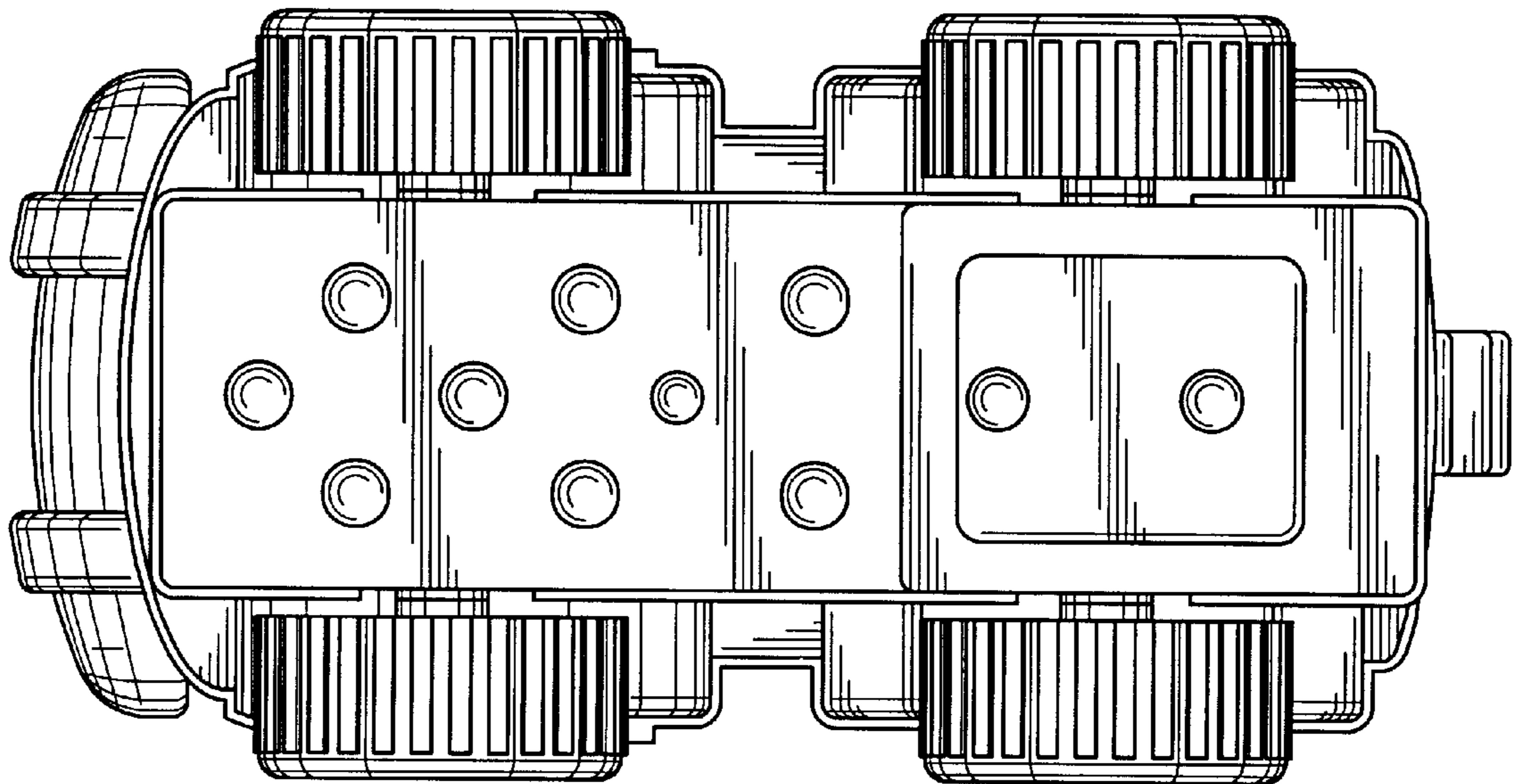


FIG. 6