



US00D416948S

# United States Patent [19]

Soga

[11] Patent Number: **Des. 416,948**

[45] Date of Patent: **\*\* Nov. 23, 1999**

[54] **LENS HOUSING FOR PORTABLE GAME ACCESSORY**

[75] Inventor: **Kiyoshi Soga**, Shizuoka, Japan

[73] Assignee: **Sun Seibu Entertainment, Ltd.**, Japan

[\*\*] Term: **14 Years**

[21] Appl. No.: **29/092,656**

[22] Filed: **Aug. 25, 1998**

[51] **LOC (6) Cl.** ..... **21-01**

[52] **U.S. Cl.** ..... **D21/330; D21/385; D21/333; D21/329**

[58] **Field of Search** ..... D21/324, 329, D21/330, 333, 385; 273/148 B, 148 A; 463/1, 29.35, 46, 47, 48; D26/51, 52, 72, 24; 362/26, 86, 135, 257, 362, 365, 109; D14/124, 125

[56] **References Cited**

**U.S. PATENT DOCUMENTS**

D. 316,454	4/1991	Tortola et al. ....	D26/24
D. 341,855	11/1993	Tortola et al. ....	D21/385
4,312,507	1/1982	Smith et al. ....	273/148 B X
4,589,659	5/1986	Yokoi et al. ....	463/34
4,756,528	7/1988	Umasshankar ....	463/1

5,130,907	7/1992	Tortola et al. ....	362/109
5,165,779	11/1992	Tortola et al. ....	362/109
5,217,295	6/1993	Tortola et al. ....	273/148 B X
5,325,280	6/1994	Tortola et al. ....	362/23

**FOREIGN PATENT DOCUMENTS**

43415	1/1992	Japan .
856932	12/1992	Japan .

*Primary Examiner*—Prabhakar Deshmukh  
*Attorney, Agent, or Firm*—Saidman DesignLaw Group

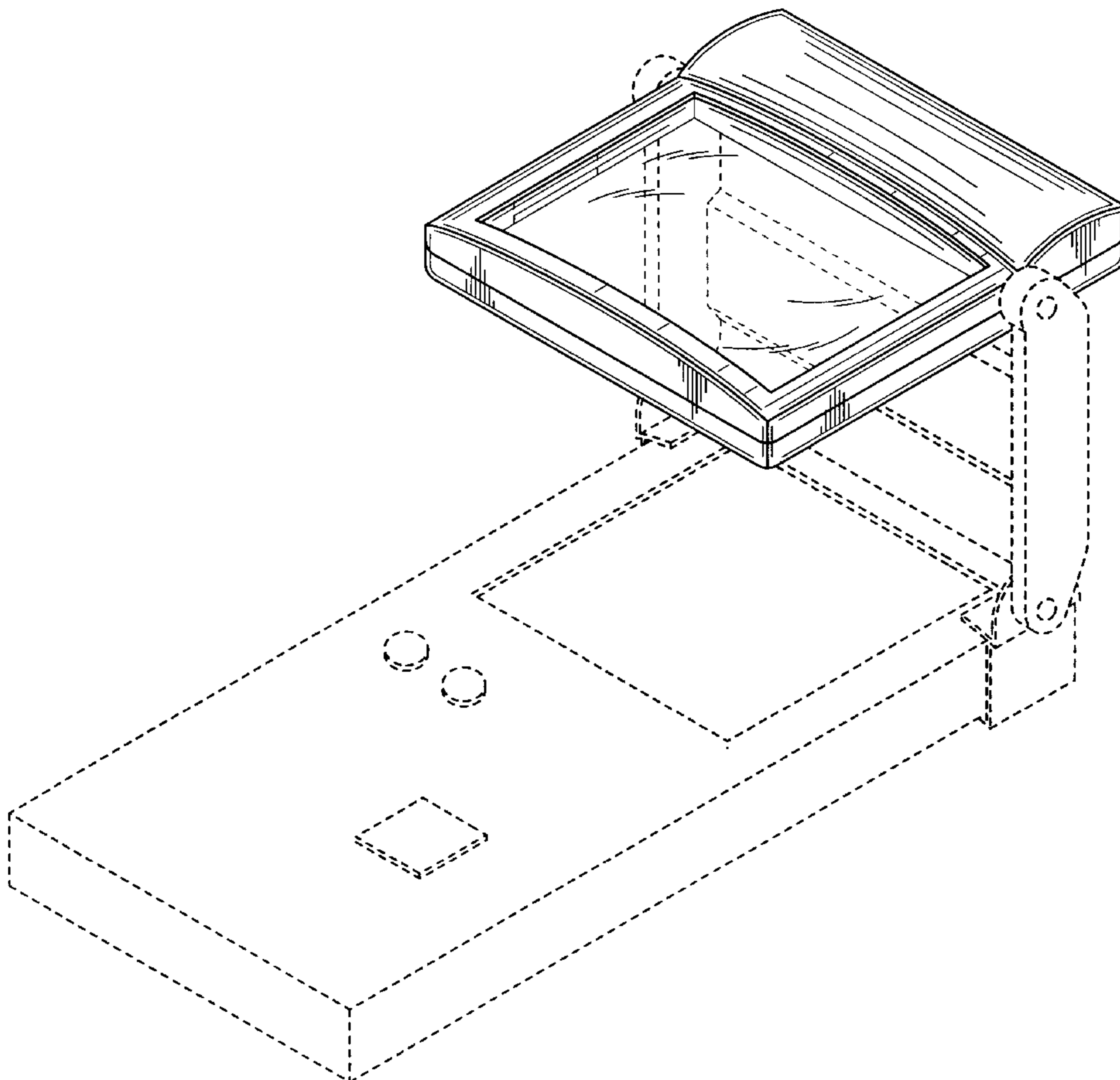
[57] **CLAIM**

The ornamental design for lens housing for portable game accessory, as shown and described.

**DESCRIPTION**

FIG. 1 is a perspective view of a lens housing for portable game accessory showing my new design; FIG. 2 is a top view thereof; FIG. 3 is a bottom view thereof; FIG. 4 is a rear view thereof; FIG. 5 is a front view thereof; and, FIG. 6 is a left side view thereof, the right side view being a mirror image.  
The broken lines shown in the FIGURES are environmental only and form no part of the claimed design.

**1 Claim, 4 Drawing Sheets**



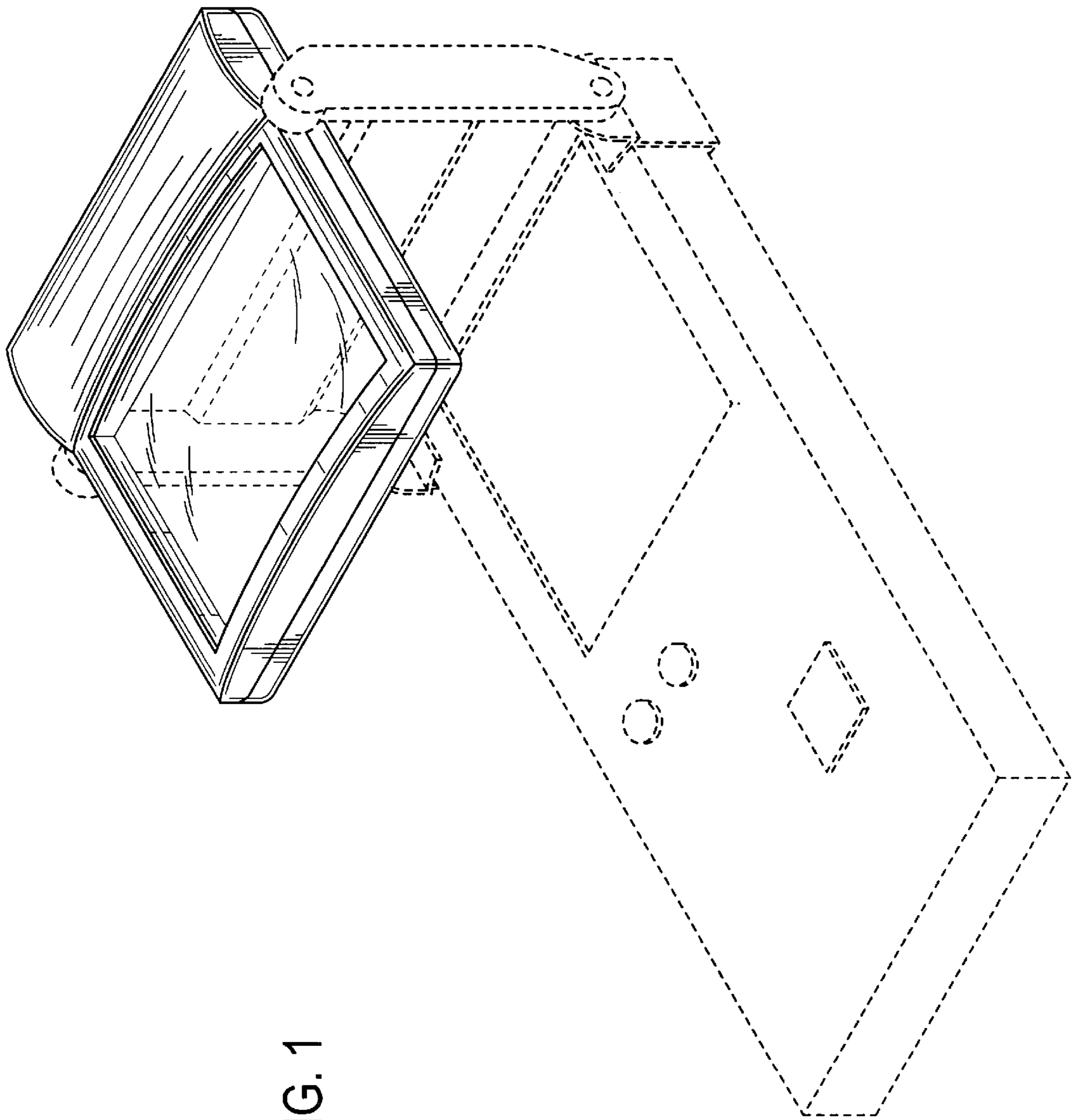


FIG. 1

FIG. 2

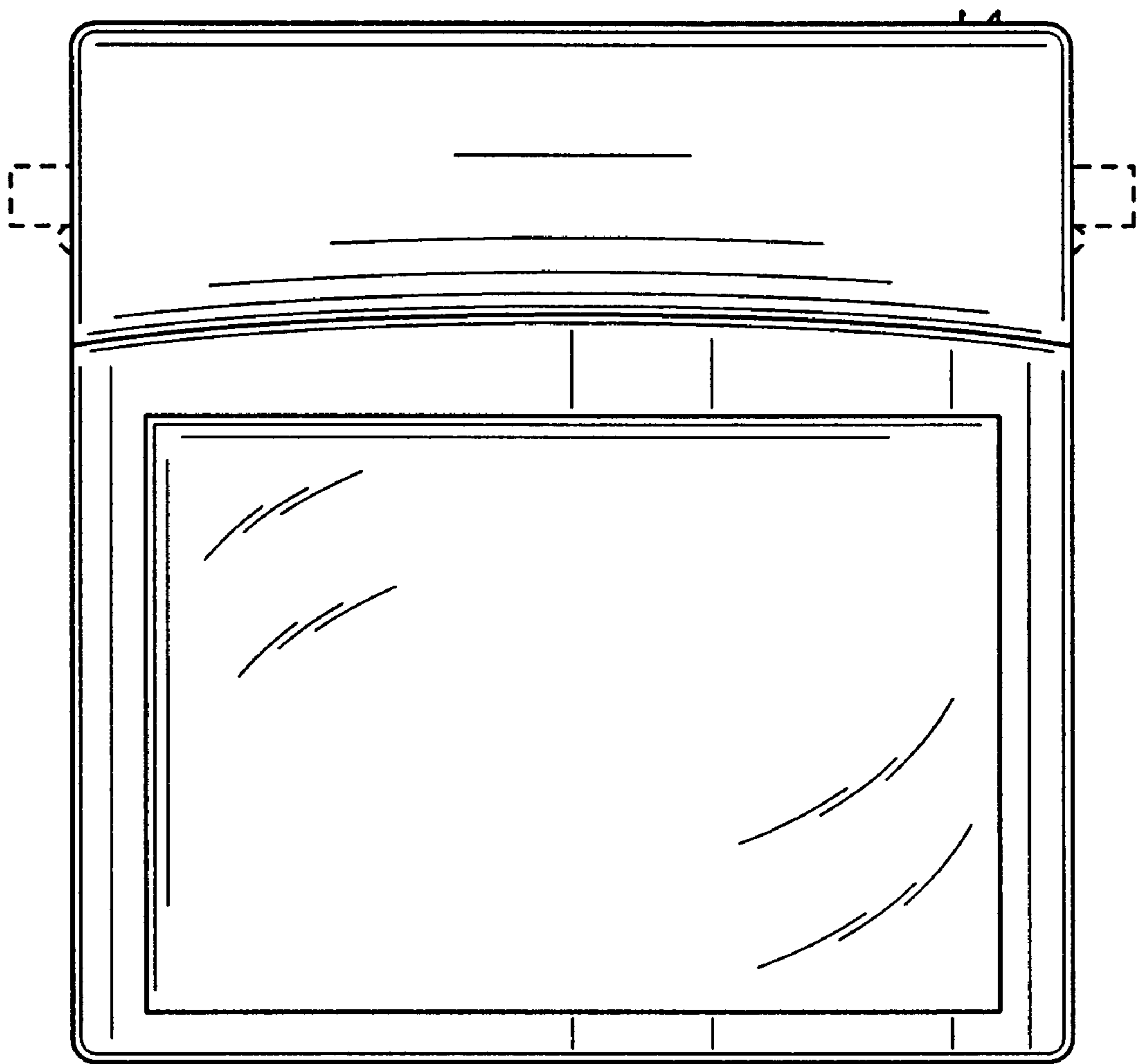


FIG. 3

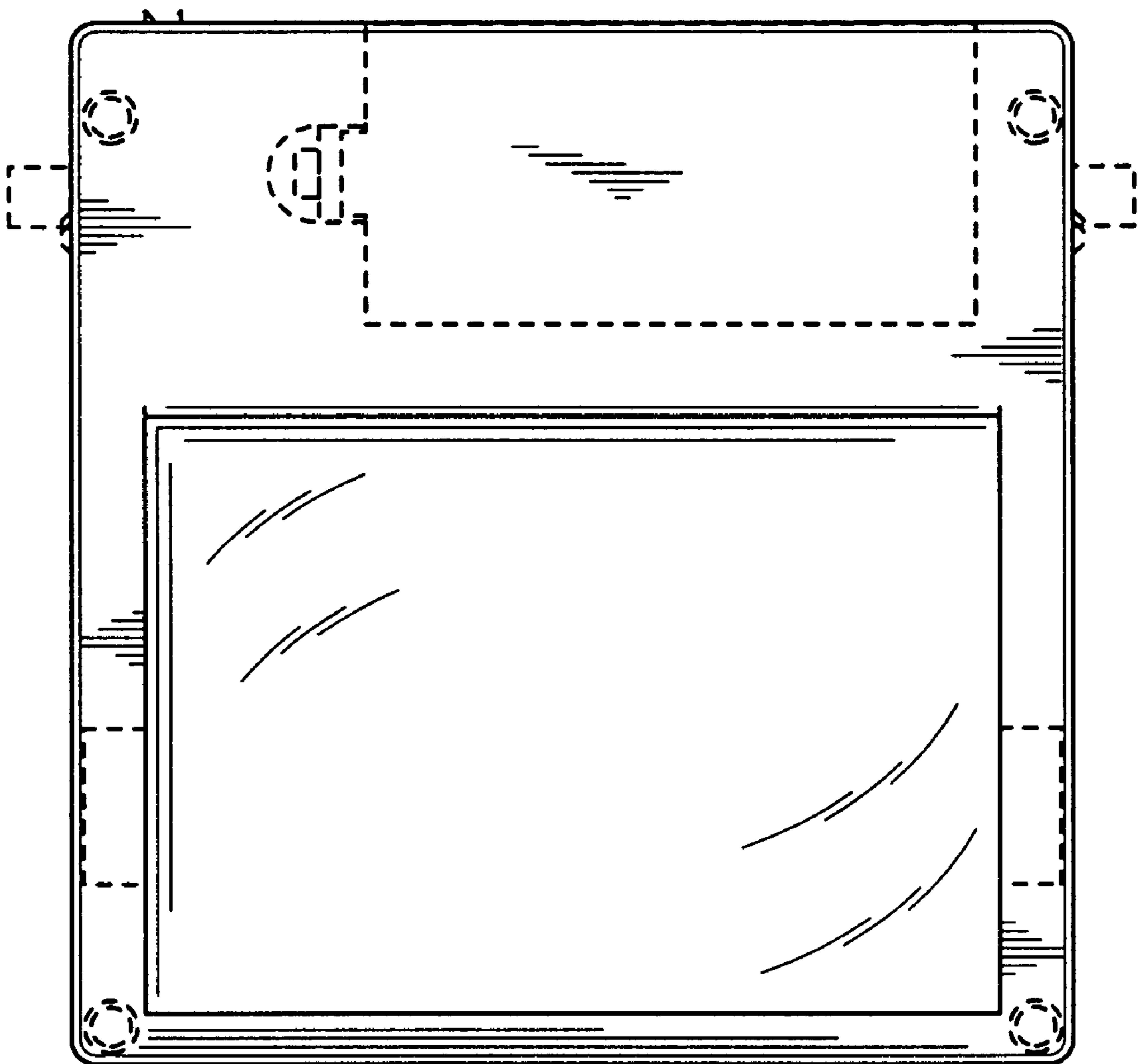


FIG. 4

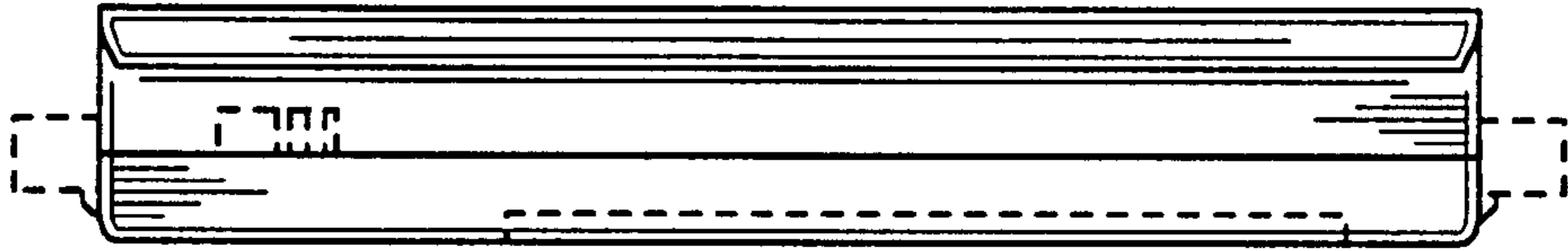


FIG. 5

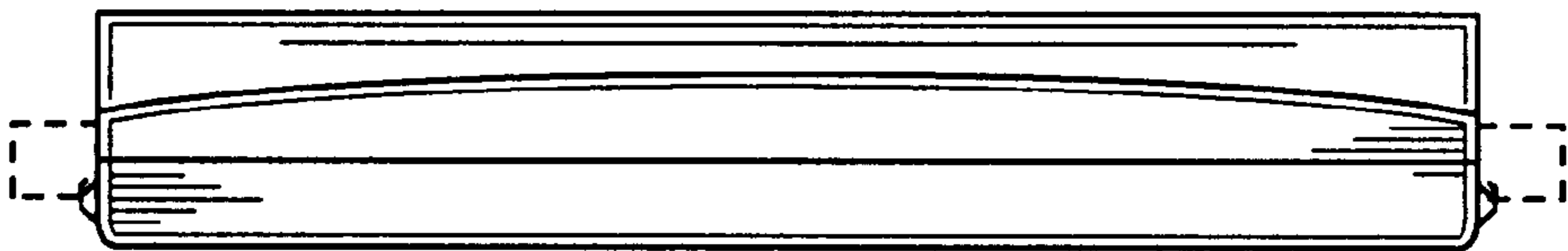


FIG. 6

