



US00D416947S

United States Patent [19] Coutu, Sr.

[11] Patent Number: **Des. 416,947**

[45] Date of Patent: **** Nov. 23, 1999**

[54] **TOSS GAME**
[76] Inventor: **Norman E Coutu, Sr.**, 2076 56th Ave.,
Vero Beach, Fla. 32966

3,837,650 9/1974 Haney 273/402
4,936,590 6/1990 Palmer 273/402
5,431,403 7/1995 Pelz 273/402
5,553,862 9/1996 Konotopsky 273/402

[**] Term: **14 Years**

Primary Examiner—Prabhakar Deshmukh

[21] Appl. No.: **29/091,438**

[57] **CLAIM**

[22] Filed: **Jul. 30, 1998**

The ornamental design for a toss game, as shown.

[51] **LOC (6) Cl.** **21-01**

DESCRIPTION

[52] **U.S. Cl.** **D21/303**

FIG. 1 is a front elevational view of the toss game of the present invention;

[58] **Field of Search** D21/302, 303,
D21/306, 300, 333; D10/46.1; 273/400,
401, 402, 407, 415, 317, 398, 425

FIG. 2 is a back elevational view of the toss game of FIG. 1;

[56] **References Cited**

FIG. 3 is a left side elevational view of the toss game of FIG. 1;

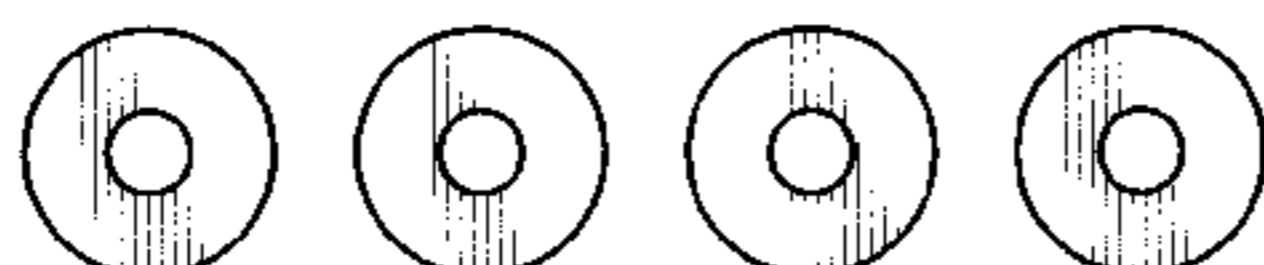
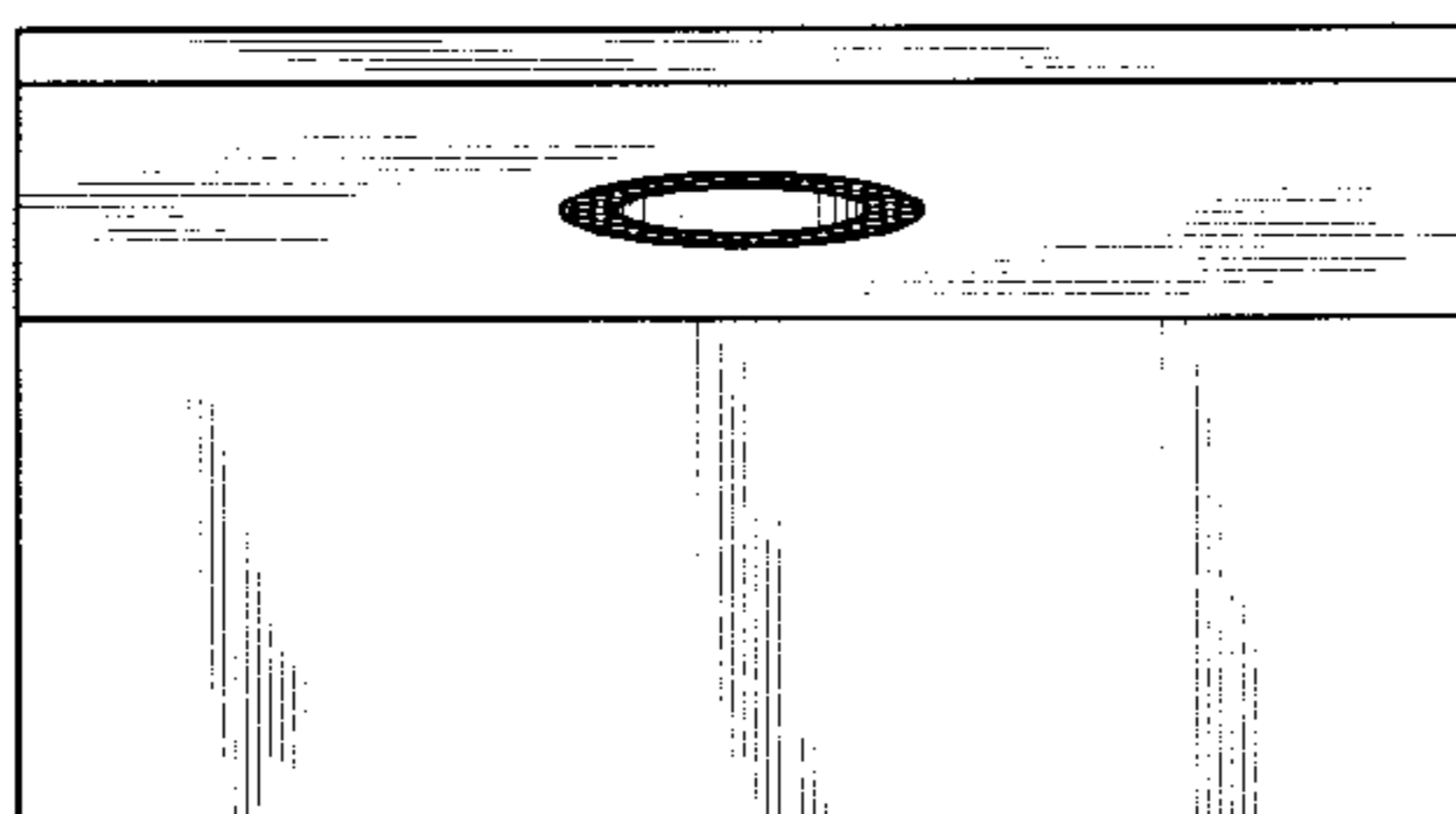
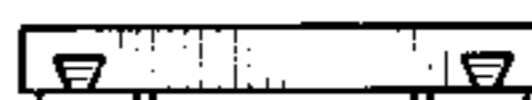
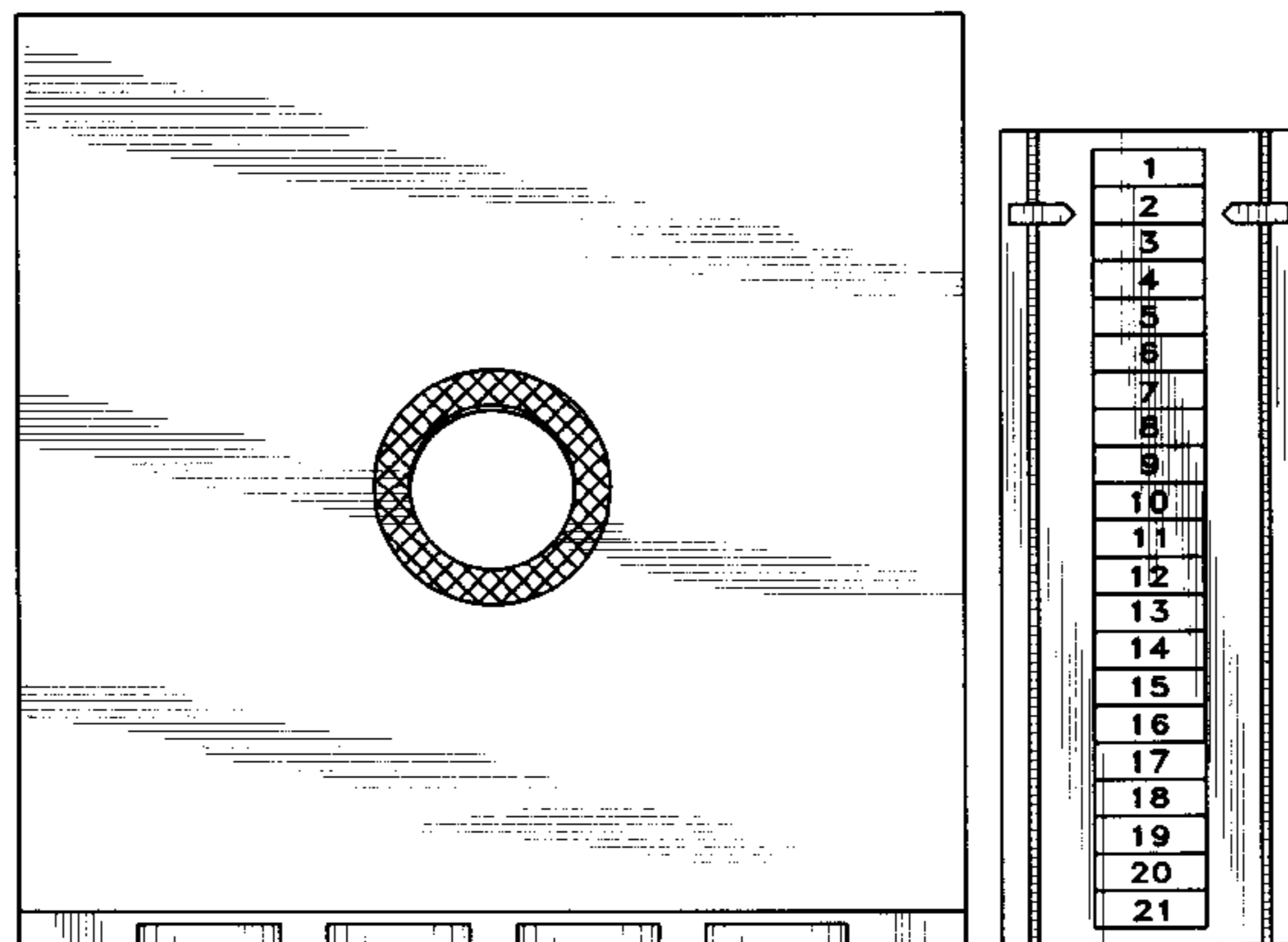
U.S. PATENT DOCUMENTS

FIG. 4 is a right side elevational view of the toss game of FIG. 1;

D. 359,991	7/1995	Dean	D21/303
D. 363,953	11/1995	Buse	D21/303
D. 373,147	8/1996	Varga	D21/303
469,554	2/1892	Favor	273/402
739,254	9/1903	Borland	D3/303 X

FIG. 5 is a top plan view of the toss game of FIG. 1; and,
FIG. 6 is a bottom plan view of the toss game of FIG. 1.

1 Claim, 3 Drawing Sheets



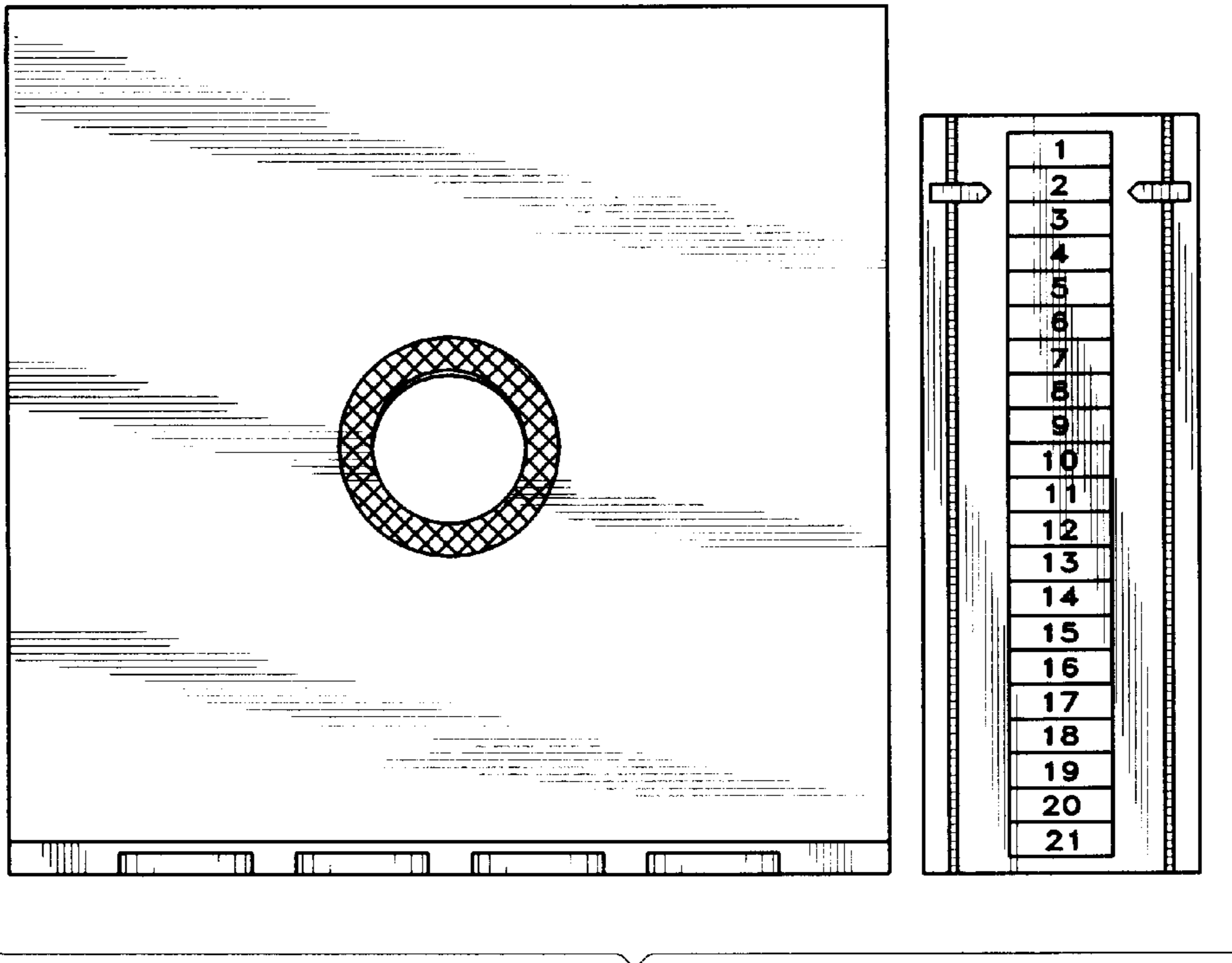


FIG. 1

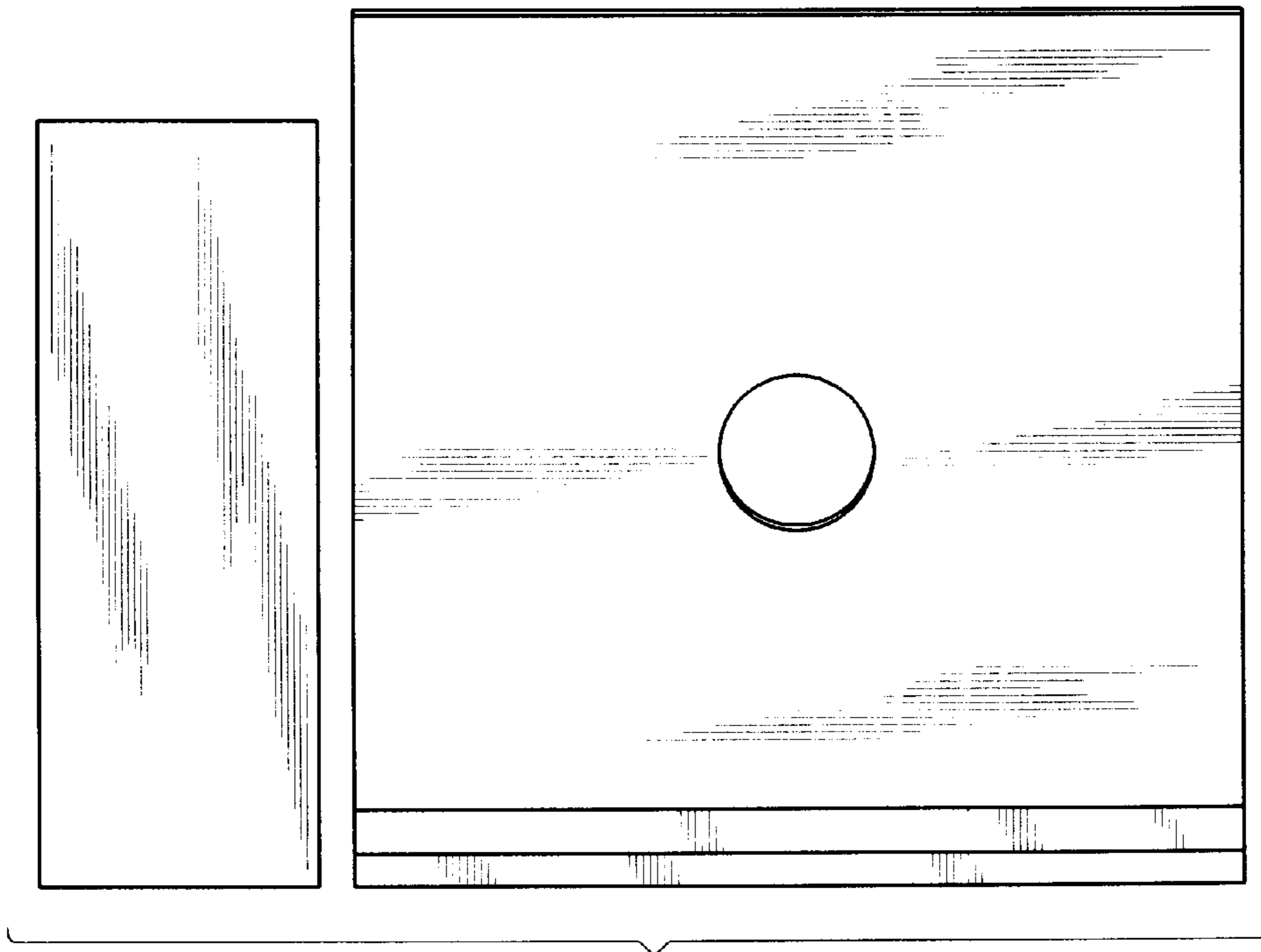


FIG. 2

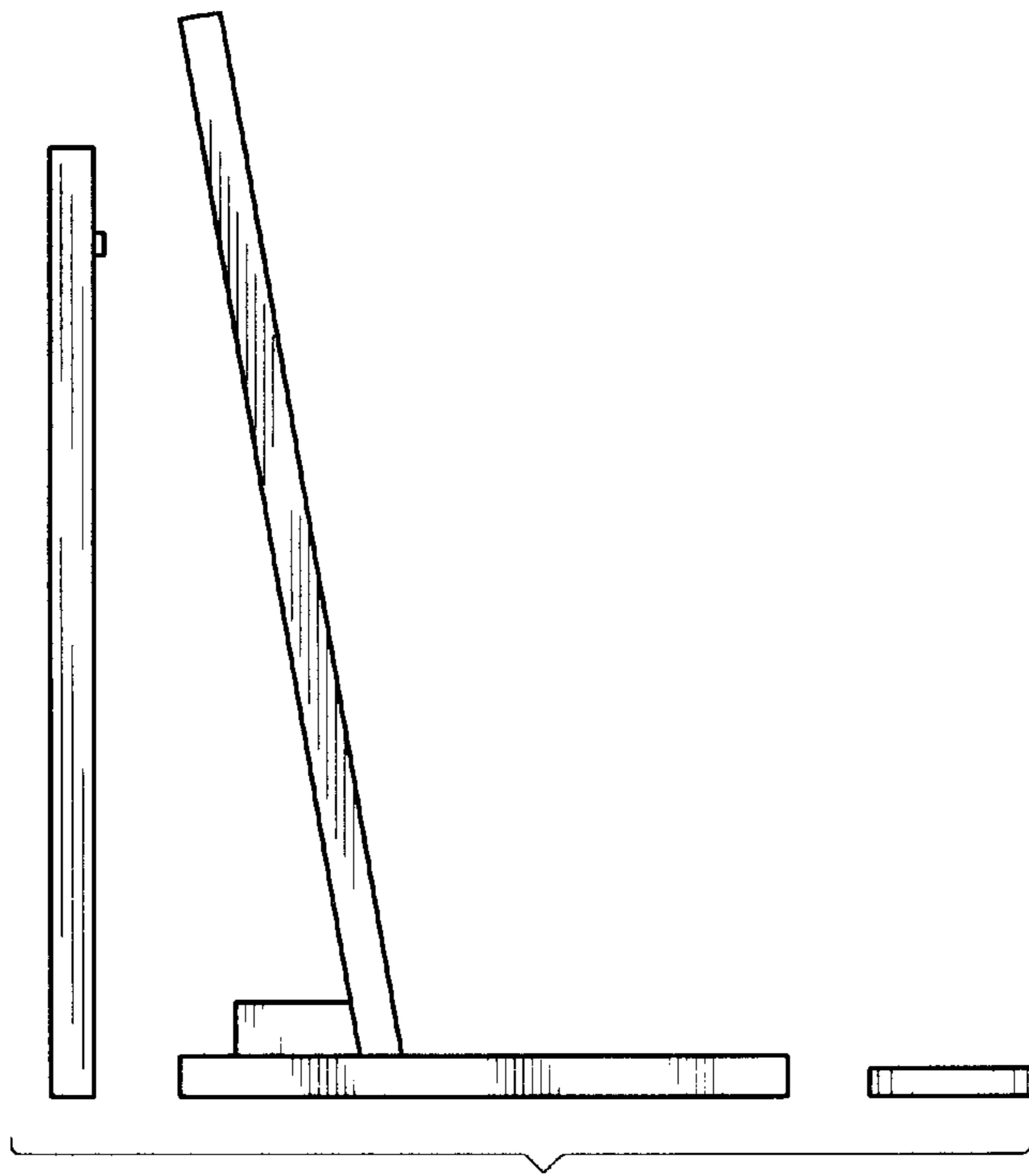


FIG. 3

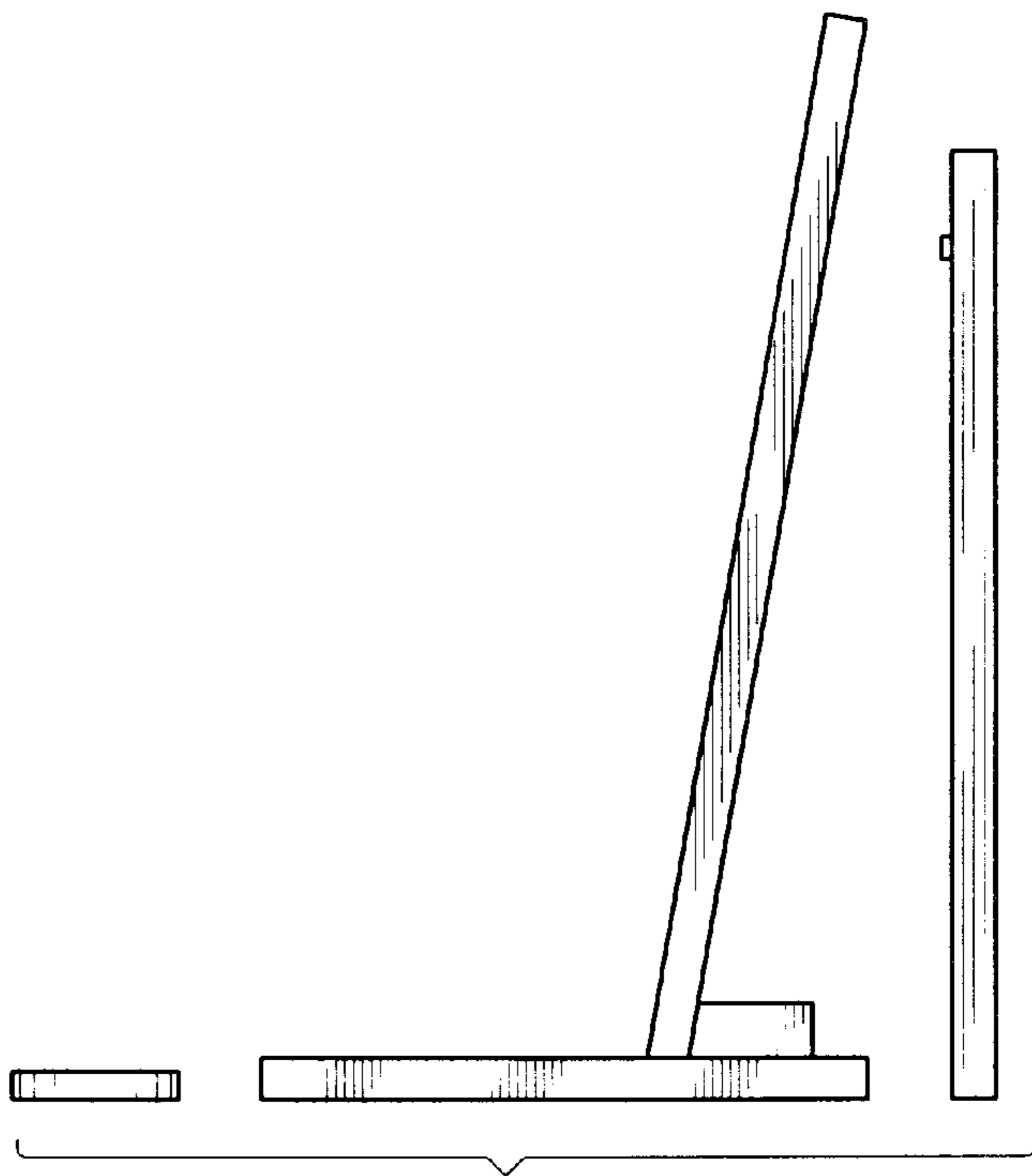


FIG. 4

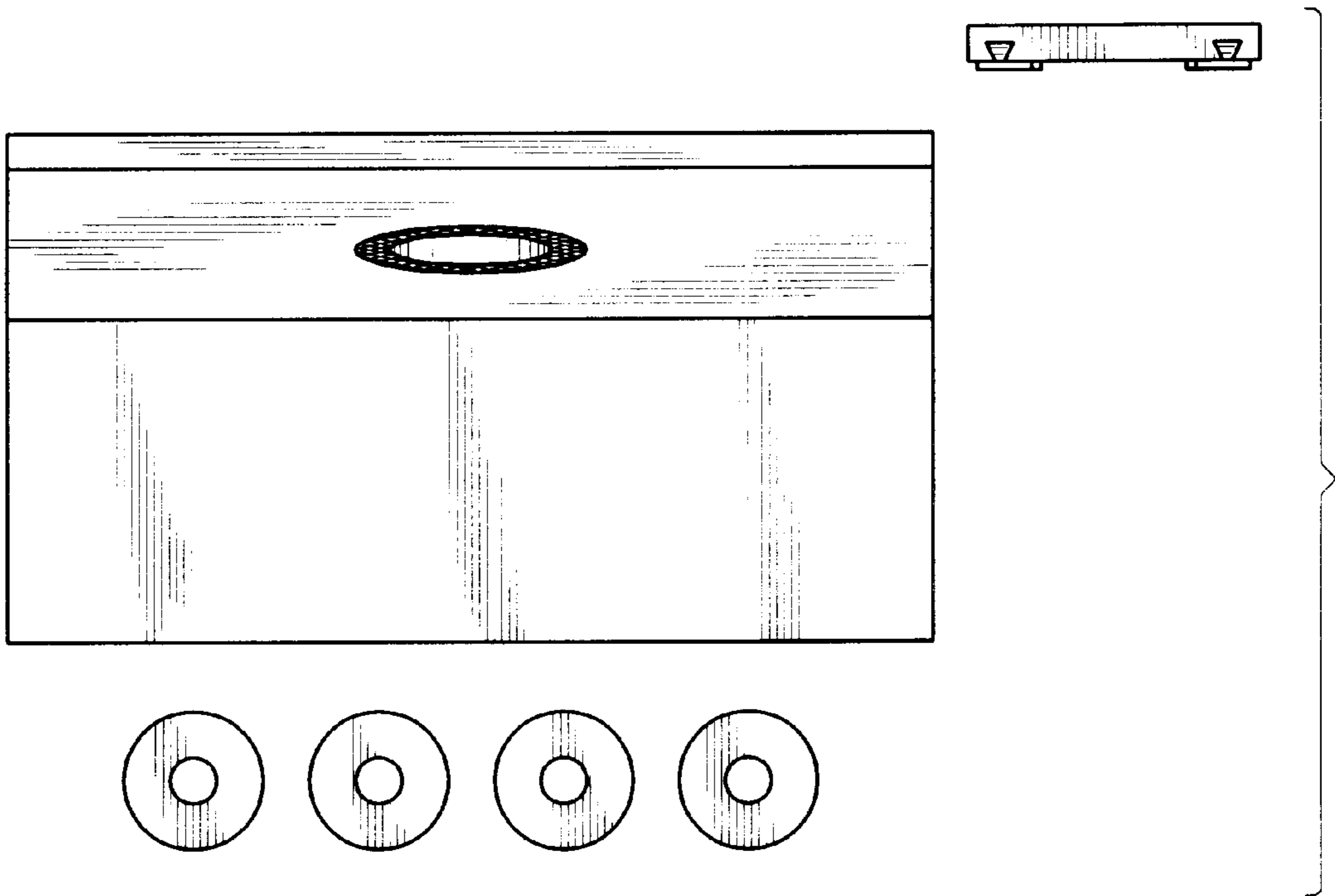


FIG. 5

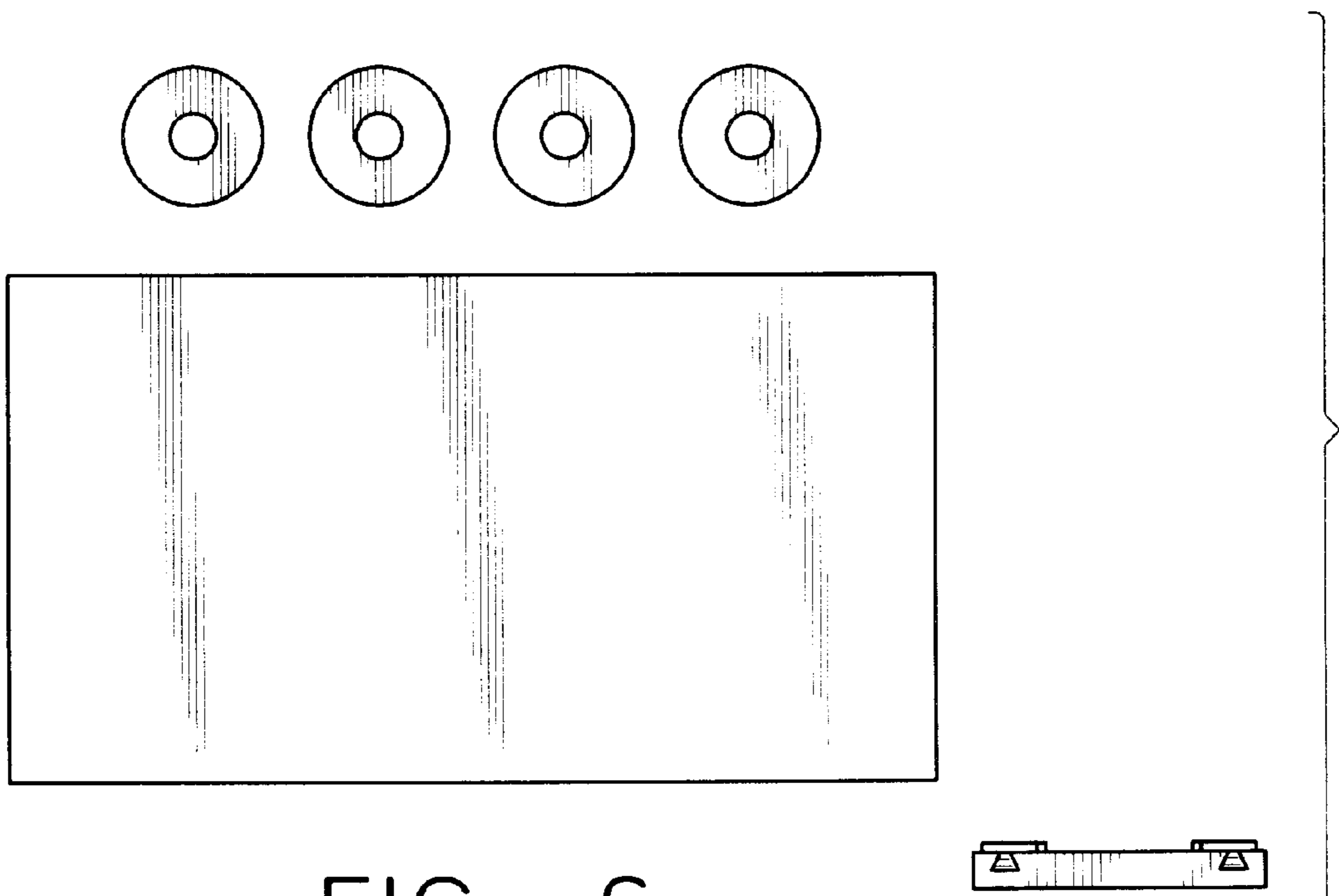


FIG. 6