



US00D416944S

United States Patent [19] Scott

[11] **Patent Number: Des. 416,944**

[45] **Date of Patent: ** Nov. 23, 1999**

[54] **NOVELTY MITT**

[76] Inventor: **Brad Scott**, 362 Wonderland Road South, Apt. #1, London, Canada, N6K 1L4

[**] Term: **14 Years**

[21] Appl. No.: **29/073,763**

[22] Filed: **Jul. 17, 1997**

[51] **LOC (6) Cl.** **21-01**

[52] **U.S. Cl.** **D20/29; D21/100**

[58] **Field of Search** D20/10, 11, 19, D20/29, 24, 25, 26, 30, 31, 32, 33; D21/100; D2/613; 40/584, 124.07, 124.01, 586

[56] **References Cited**

U.S. PATENT DOCUMENTS

D. 48,226	11/1915	Kroeger	D20/29
D. 265,409	7/1982	Braasch	D21/100
D. 334,951	4/1993	Mills	D20/10

OTHER PUBLICATIONS

Specialty Entrance features, No. 1211, Sweets General Building and Renovation, vol. 4, May 1993.

Primary Examiner—Susan J. Lucas
Assistant Examiner—Jennifer Rivard

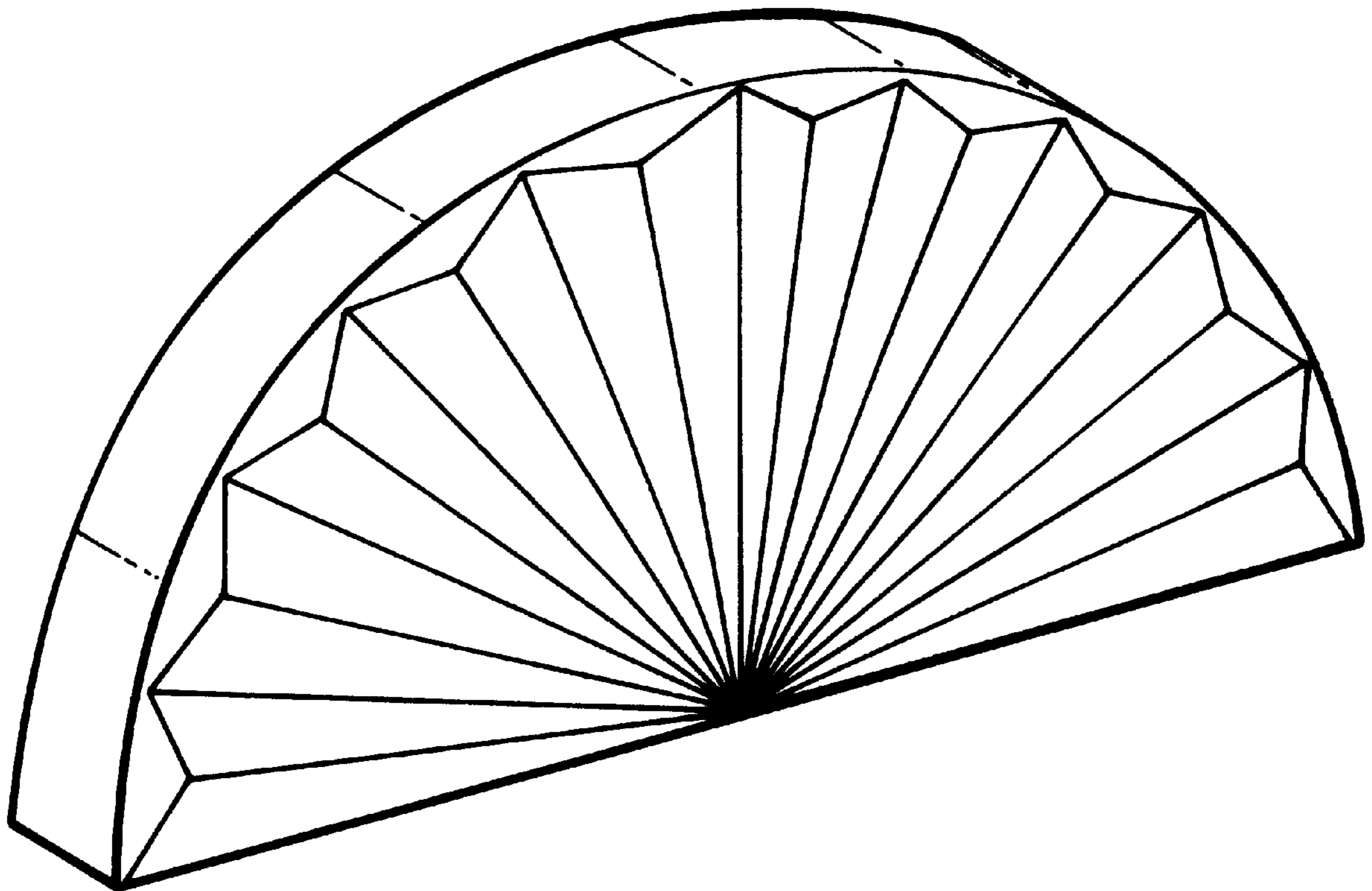
[57] **CLAIM**

The ornamental design for a novelty mitt, as shown and described.

DESCRIPTION

FIG. 1 is a perspective view of the novelty mitt;
FIG. 2 is a front elevation;
FIG. 3 is a rear elevation;
FIG. 4 is a top plan view;
FIG. 5 is a bottom plan view; and,
FIG. 6 is a side elevation, the opposite side being a mirror image thereof.

1 Claim, 2 Drawing Sheets



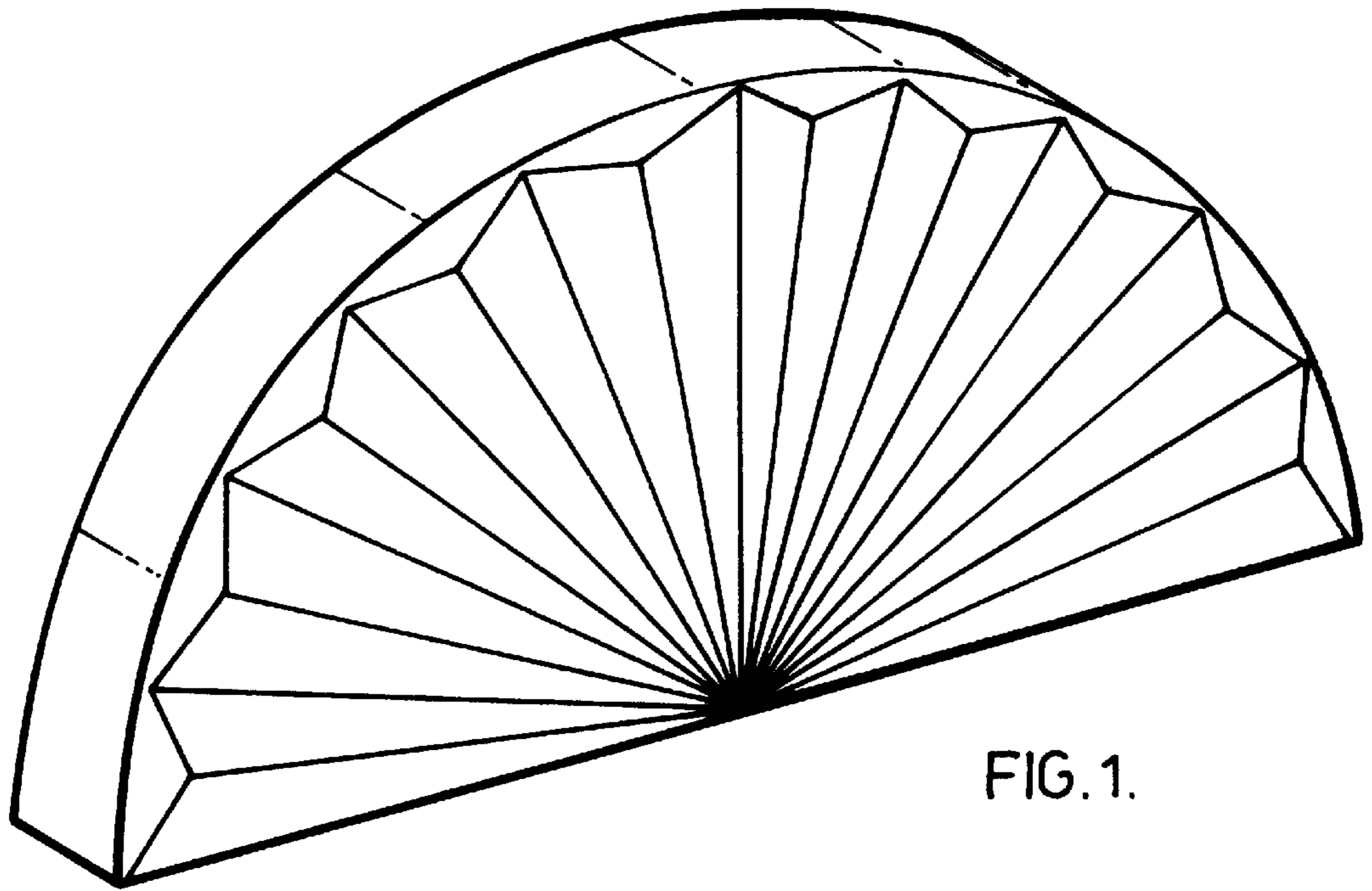


FIG. 1.

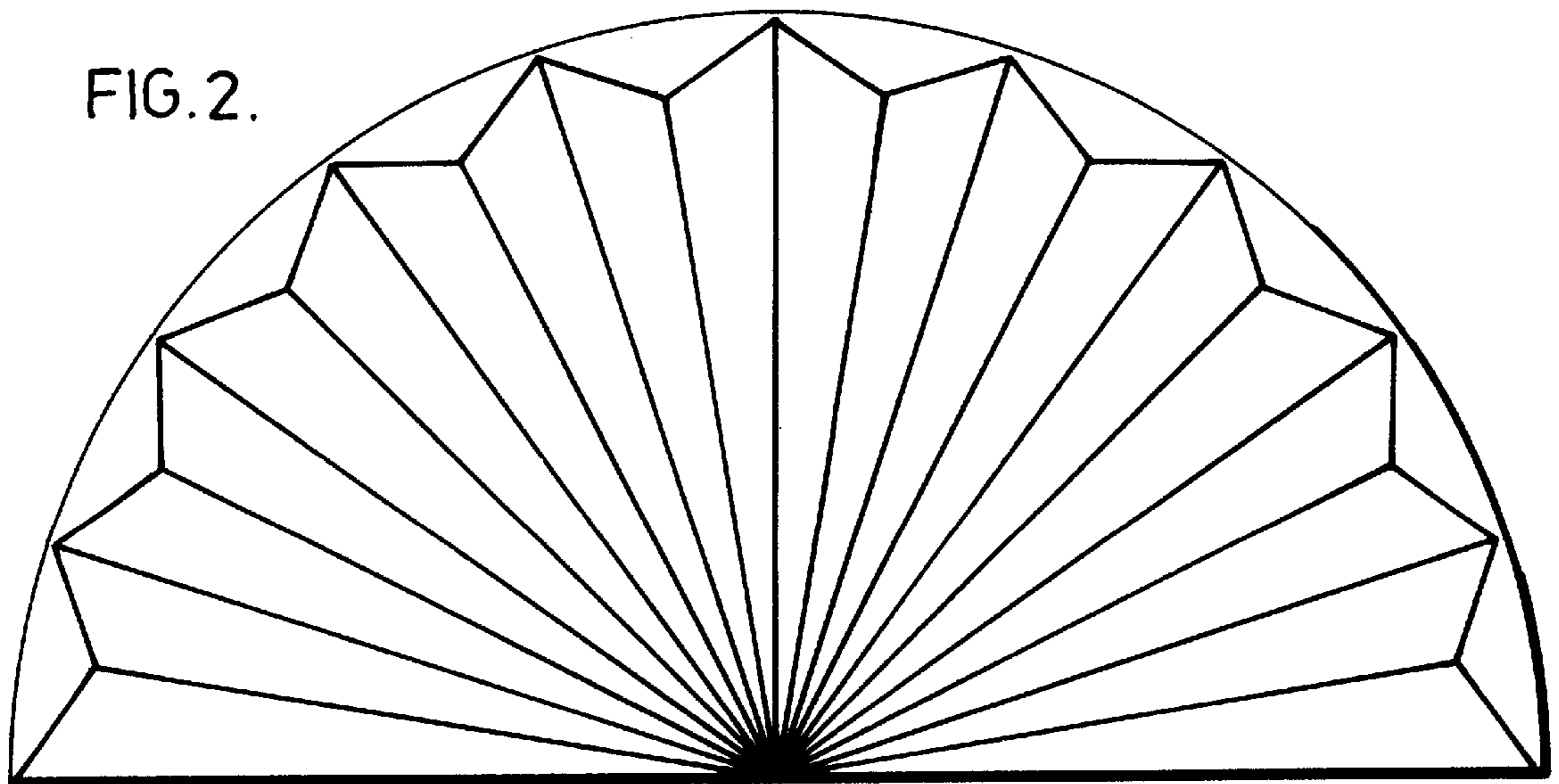


FIG. 2.

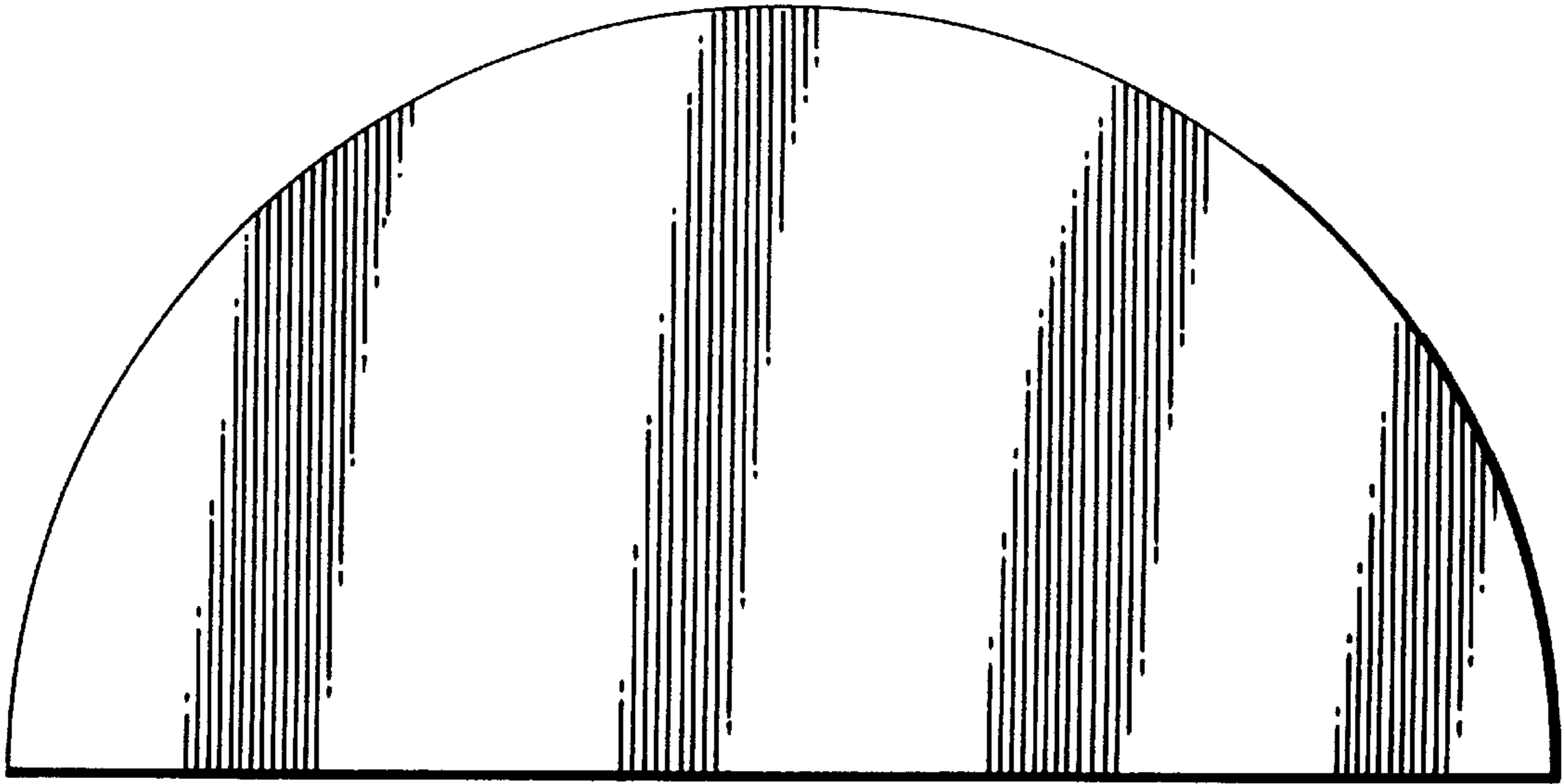


FIG. 3.



FIG. 4.

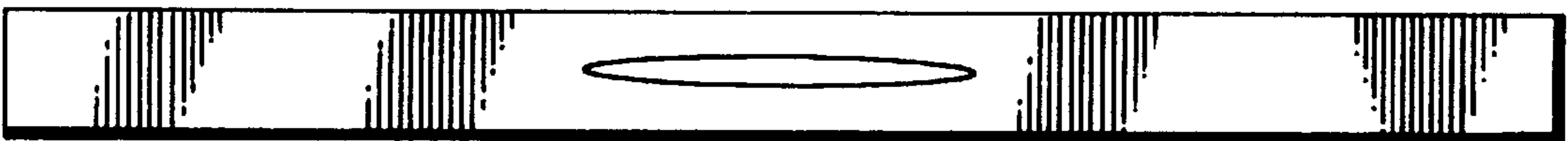


FIG. 5.

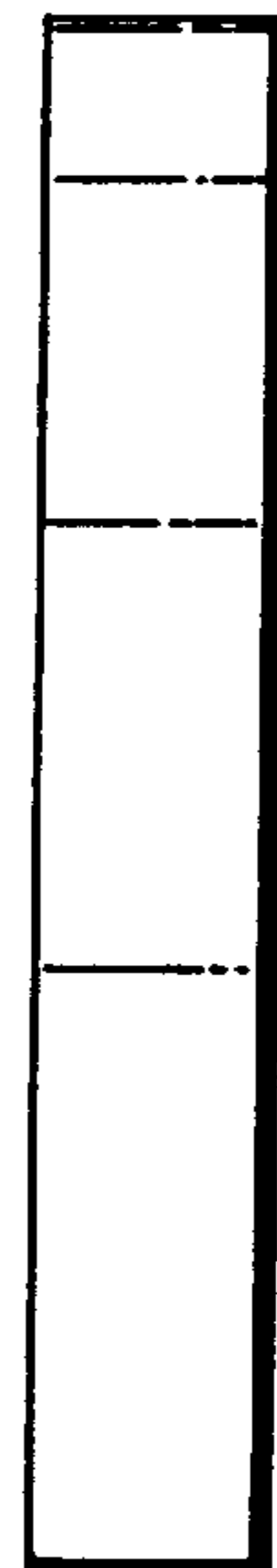


FIG. 6.