



US00D416942S

# United States Patent [19] Tsung

[11] Patent Number: **Des. 416,942**

[45] Date of Patent: **\*\* Nov. 23, 1999**

[54] **EXTENSIBLE STATIONERY STAND**

4,320,835 3/1982 Palhemus et al. .... 206/214 X  
4,429,796 2/1984 Sussman ..... 211/11

[76] Inventor: **Tsai Ching Tsung**, 364, Sec. 2, Mei Liao, Rd., Chu In Li, Ho Mei, Chang Hua, Taiwan

*Primary Examiner*—Martie K. Holtje  
*Attorney, Agent, or Firm*—Dougherty & Troxell

[\*\*] Term: **14 Years**

### [57] CLAIM

[21] Appl. No.: **29/101,548**

The ornamental design for an extensible stationery stand, as shown and described.

[22] Filed: **Mar. 5, 1999**

### DESCRIPTION

[51] **LOC (6) Cl.** ..... **19-06**

FIG. 1 is a perspective view of an extensible stationery stand in the present design;

[52] **U.S. Cl.** ..... **D19/75; D19/69; D19/77; D19/85**

FIG. 2 is a front view of the extensible stationery stand in the present design;

[58] **Field of Search** ..... D6/364; D19/35, D19/36, 75, 77, 78, 81–85, 86, 90, 91, 95, 99, 100, 67–69; 206/214, 224, 371; 211/69.1–69.9, 11; 225/6, 19, 25, 34, 39, 45, 56, 65, 77, 89; D3/282

FIG. 3 is a rear view of the extensible stationery stand in the present design;

FIG. 4 is a left view of the extensible stationery stand in the present design;

FIG. 5 is a right view of the extensible stationery stand in the present design;

### [56] References Cited

#### U.S. PATENT DOCUMENTS

D. 250,823	1/1979	Theobald	.....	D19/75
D. 267,370	12/1982	Cline	.....	D3/282
D. 278,251	4/1985	Dobbs	.....	D19/69
D. 288,827	3/1987	Wolff	.....	D19/78
D. 317,627	6/1991	Lapadakis	.....	D19/75
D. 333,156	2/1993	Peersmann	.....	D19/65 X
D. 343,512	1/1994	Tse	.....	D19/75 X
D. 379,048	5/1997	Ros et al.	.....	D6/634

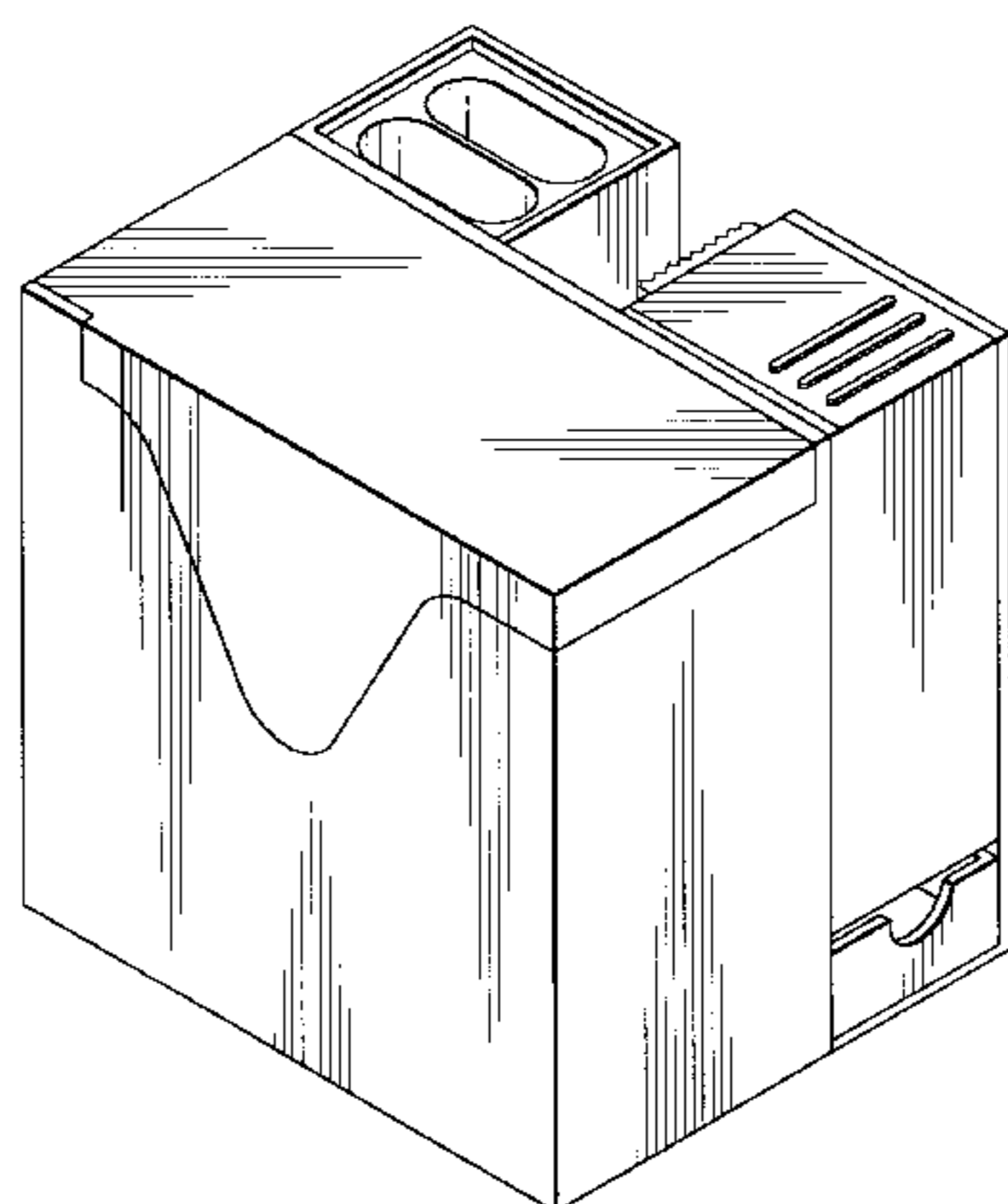
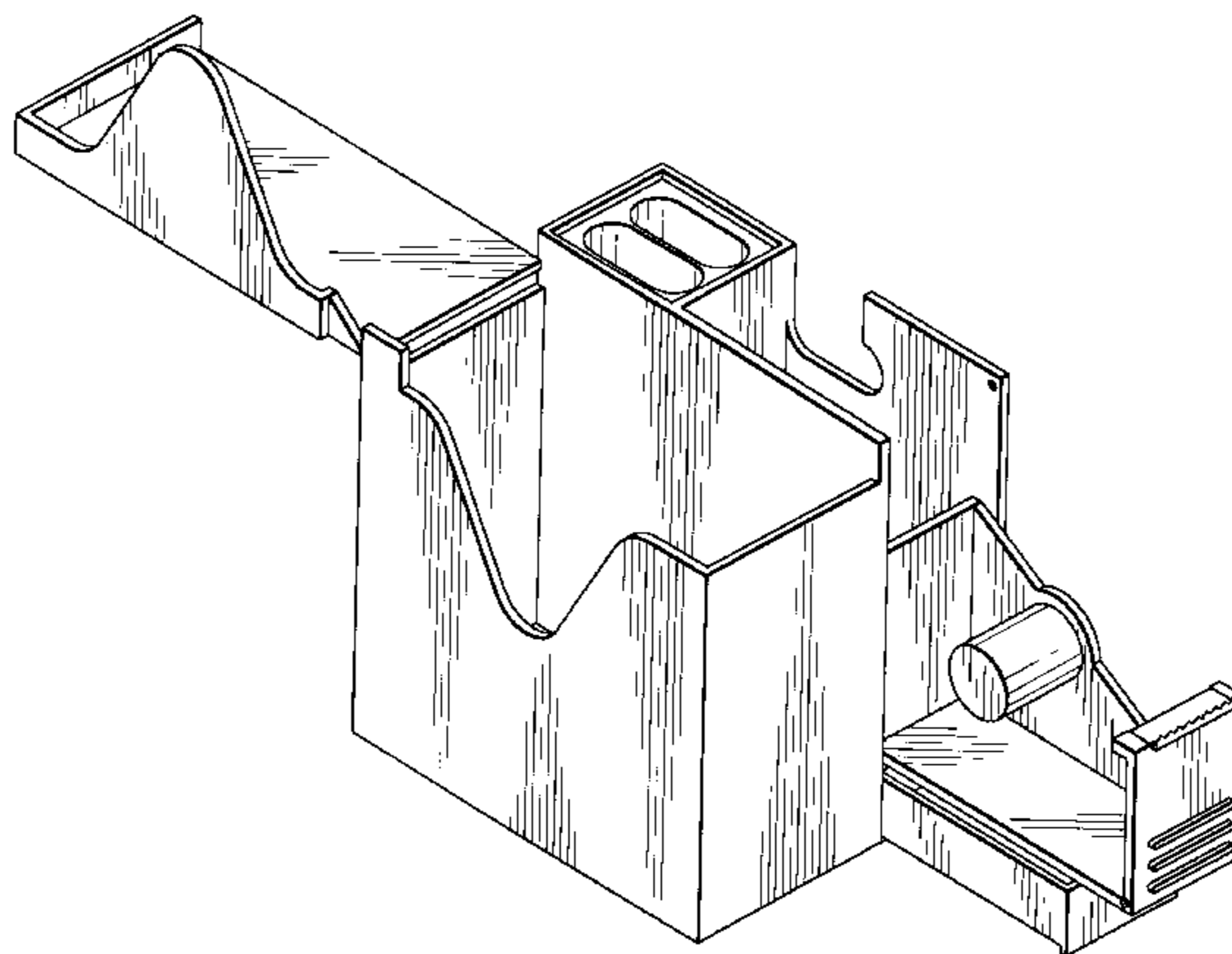
FIG. 6 is a top view of the extensible stationery stand in the present design;

FIG. 7 is a bottom view of the extensible stationery stand in the present design;

FIG. 8 is a perspective view of the extensible stationery stand with a drawer pulled out in the present design; and,

FIG. 9 is a perspective view of the extensible stationery stand completely collapsed in the present design.

**1 Claim, 8 Drawing Sheets**



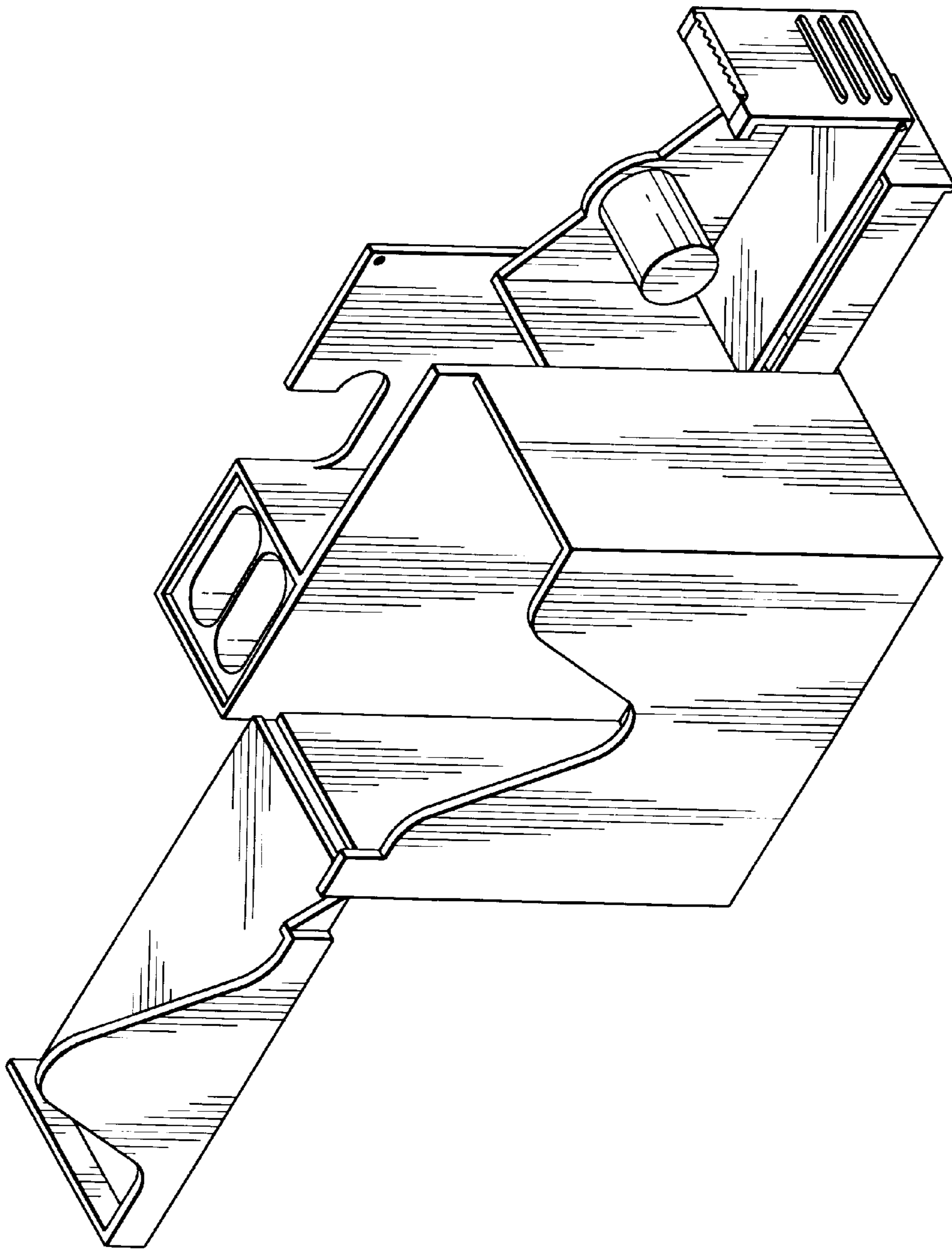


FIG. 1

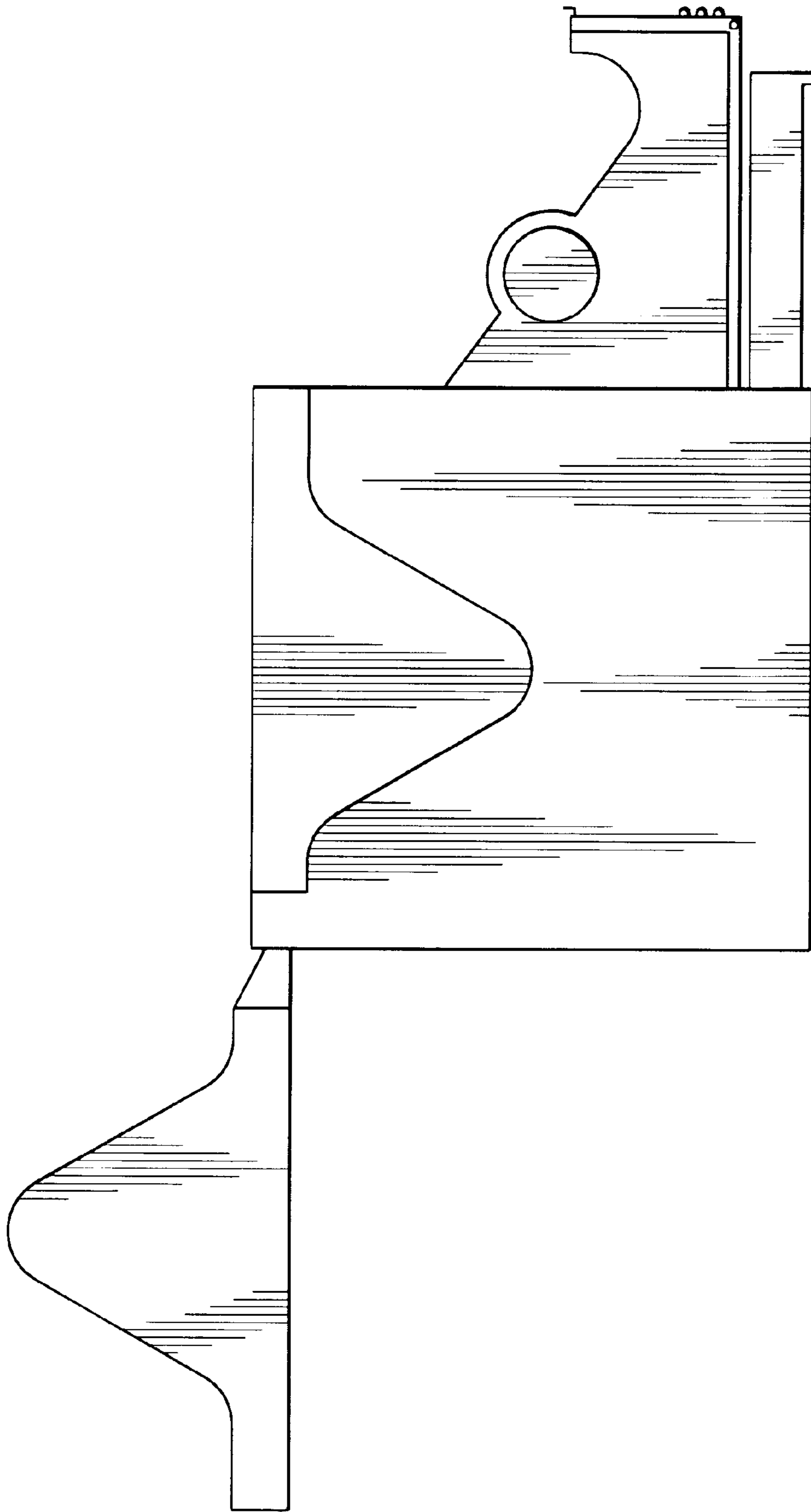


FIG. 2

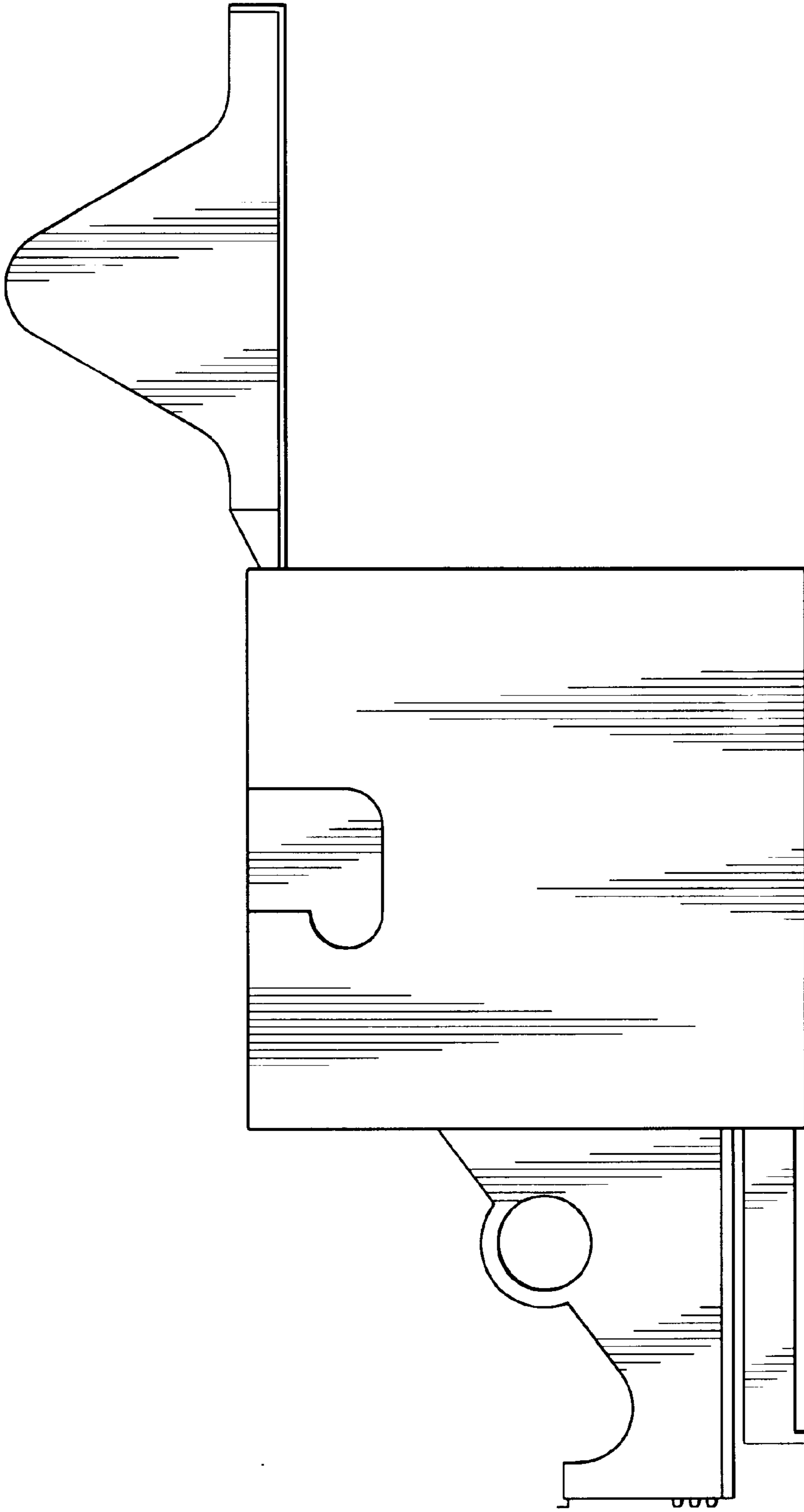


FIG. 3

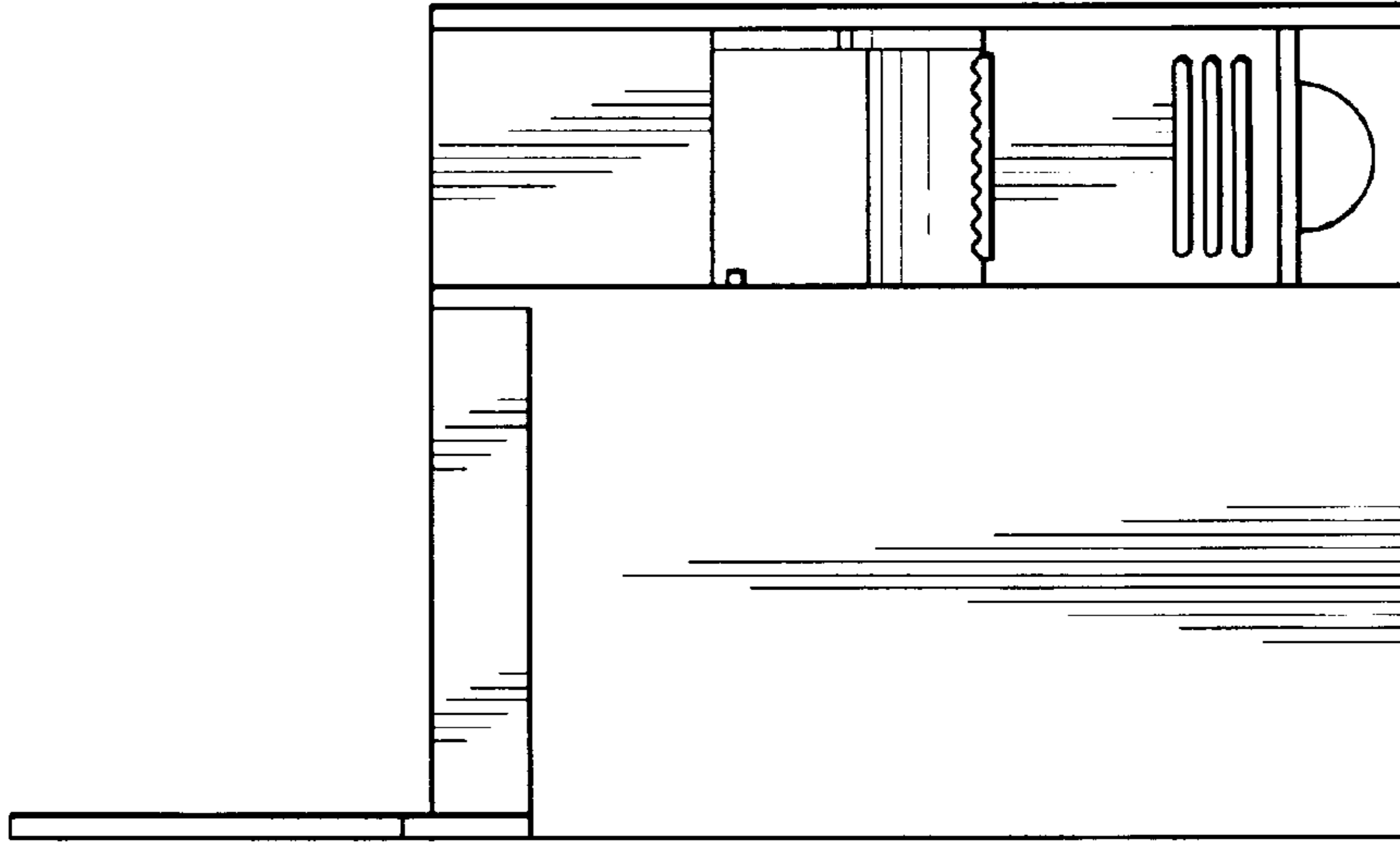


FIG. 5

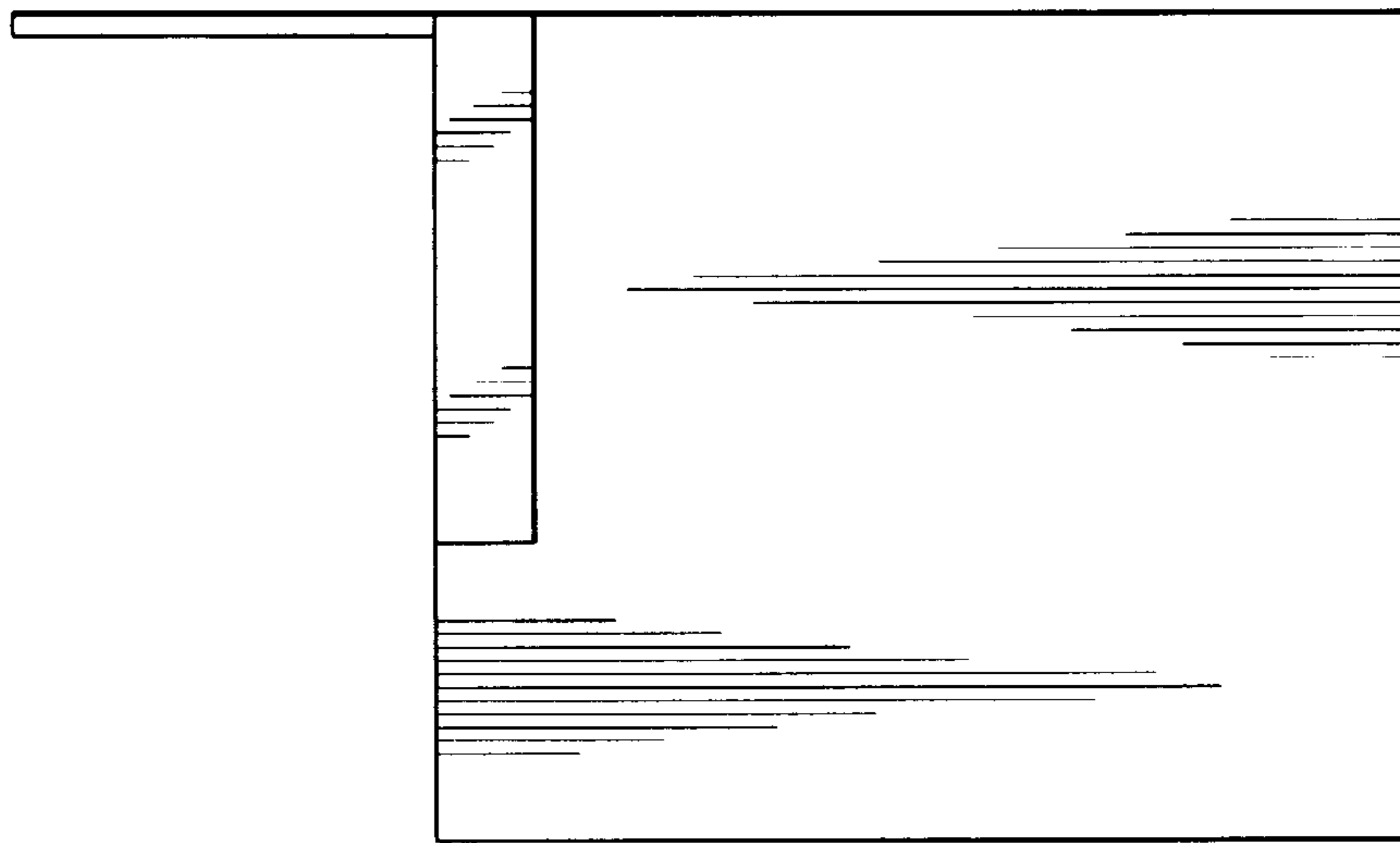


FIG. 4

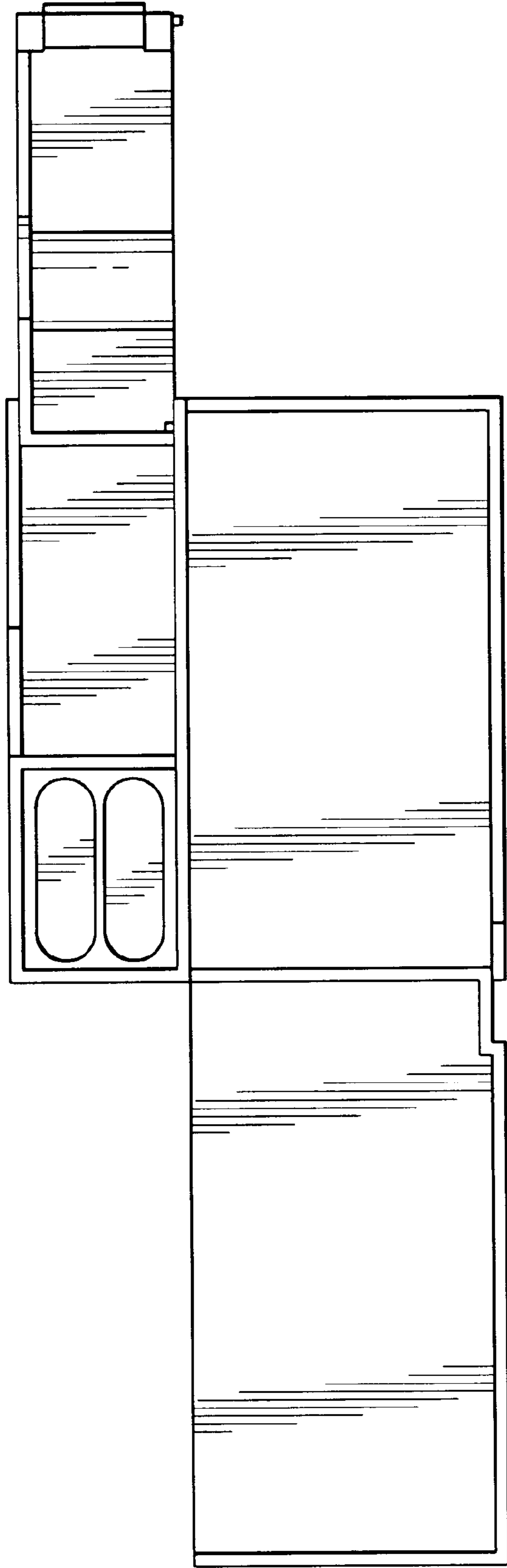


FIG. 6

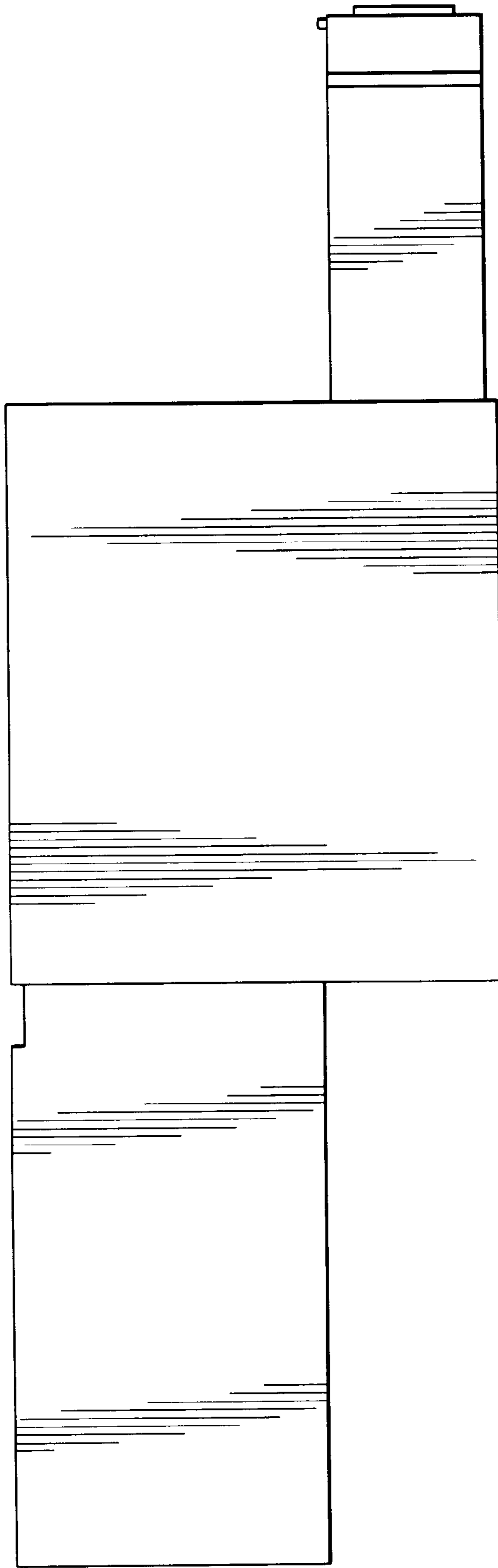


FIG. 7

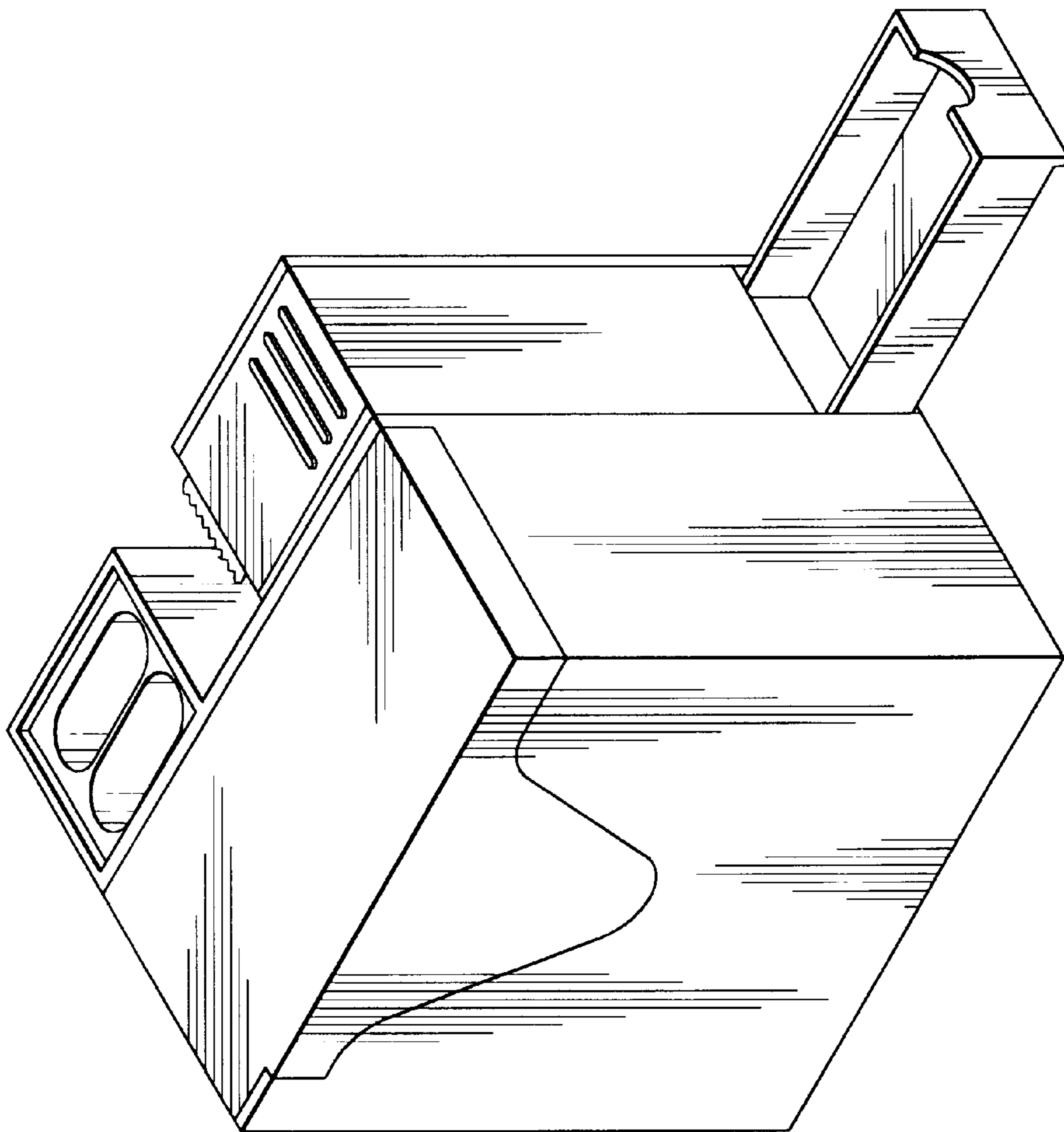


FIG. 8



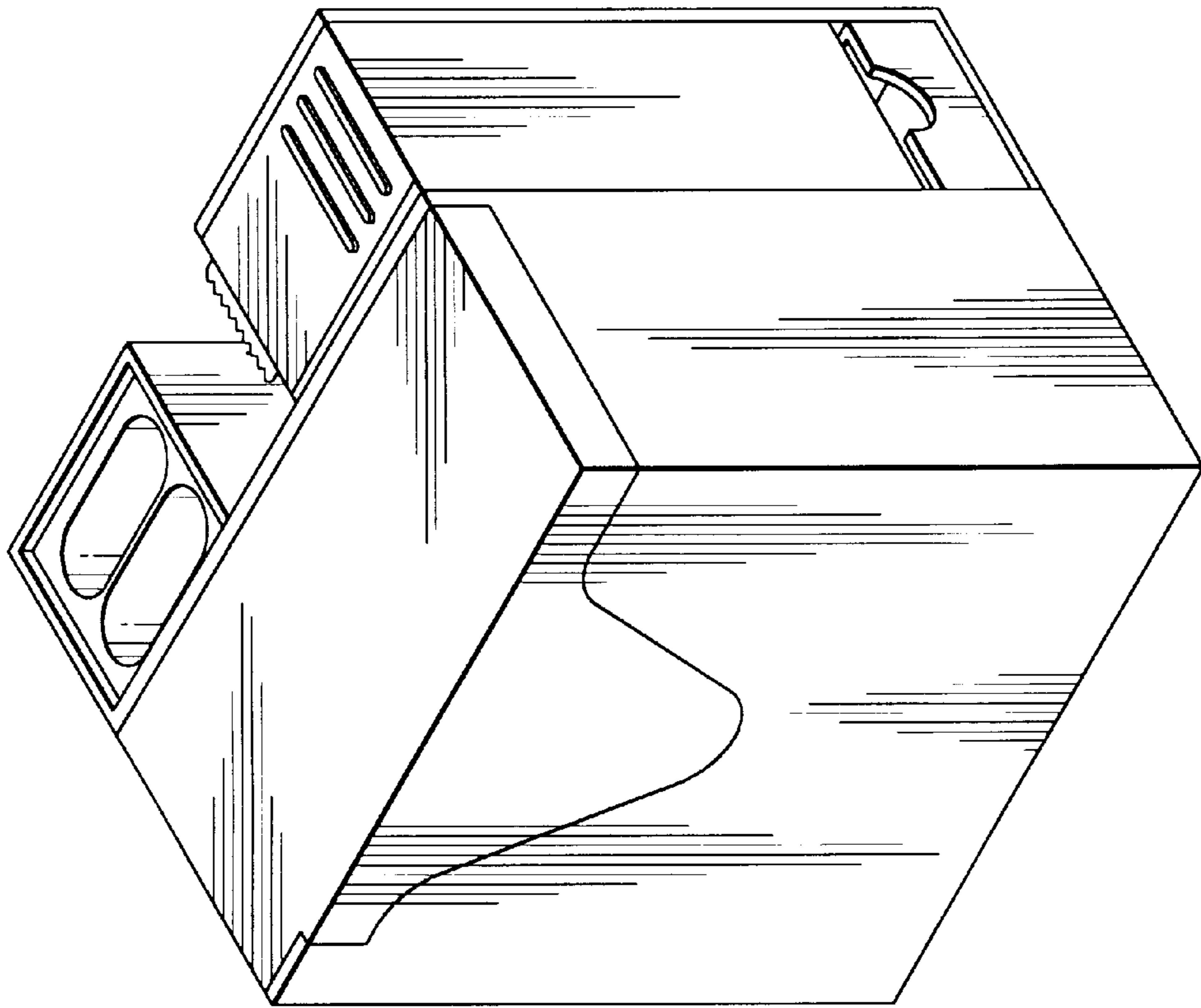


FIG. 9