



US00D416936S

**United States Patent** [19]  
**Chin et al.**

[11] **Patent Number: Des. 416,936**  
[45] **Date of Patent: \*\* \*Nov. 23, 1999**

[54] **SOLID INK STICK FOR A COLOR PRINTER**

[75] Inventors: **Henry Y. Chin**, Portland, Oreg.;  
**Penelope C. Yao**, Evanston, Ill.; **David L. Brown**, Milwaukie, Oreg.

[73] Assignee: **Tektronix, Inc.**, Wilsonville, Oreg.

[\*] Notice: This patent is subject to a terminal disclaimer.

[\*\*] Term: **14 Years**

[21] Appl. No.: **29/067,474**

[22] Filed: **Mar. 10, 1997**

[51] **LOC (6) Cl.** ..... **18-02**

[52] **U.S. Cl.** ..... **D18/56; 347/88**

[58] **Field of Search** ..... **D18/56; 347/54, 347/88, 99; 106/31.29, 31.61**

[56] **References Cited**

**U.S. PATENT DOCUMENTS**

D. 212,542	10/1968	McCarthy .	
D. 300,673	4/1989	Rhoa et al. ....	D2/101
D. 310,130	8/1990	Van Kooten .....	D1/100
D. 335,683	5/1993	Smith .....	D18/56
D. 346,821	5/1994	Smith .....	D18/56
D. 371,801	7/1996	Jones et al. ....	D18/56
D. 371,802	7/1996	Jones et al. ....	D18/56
D. 372,268	7/1996	Jones et al. ....	D18/56
D. 372,270	7/1996	Jones et al. ....	D18/56
D. 373,139	8/1996	Jones et al. ....	D18/56
D. 379,470	5/1997	Gilbert .....	D18/56
D. 379,639	6/1997	Gilbert .....	D18/56
4,361,843	11/1982	Cooke et al. ....	347/99

(List continued on next page.)

**FOREIGN PATENT DOCUMENTS**

000340533	11/1989	European Pat. Off. ....	347/88
564742	10/1993	European Pat. Off. .	
403193457	8/1991	Japan .....	347/88

404093258	5/1992	Japan .....	347/99
404310751	11/1992	Japan .....	347/88
404358845	12/1992	Japan .....	347/88
405247390	9/1993	Japan .....	106/31.29
406143558	5/1994	Japan .....	347/88
091010711	7/1991	WIPO .....	106/31.29
093009193	5/1993	WIPO .....	106/31.29

**OTHER PUBLICATIONS**

IBM Technical Disclosure Bulletin; vol. 26, No. 3A; Ink Spitter For Hot melt Ink by F. Hendriks; 347-88, Aug. 1983. Howtek Pixelmaster brochure; p. 15—Ink pellets; 347-88, 1988.

*Primary Examiner*—Cathy Anne Maccormac  
*Attorney, Agent, or Firm*—Charles F. Moore

[57] **CLAIM**

The ornamental design for a solid ink stick for a color printer, as shown and described.

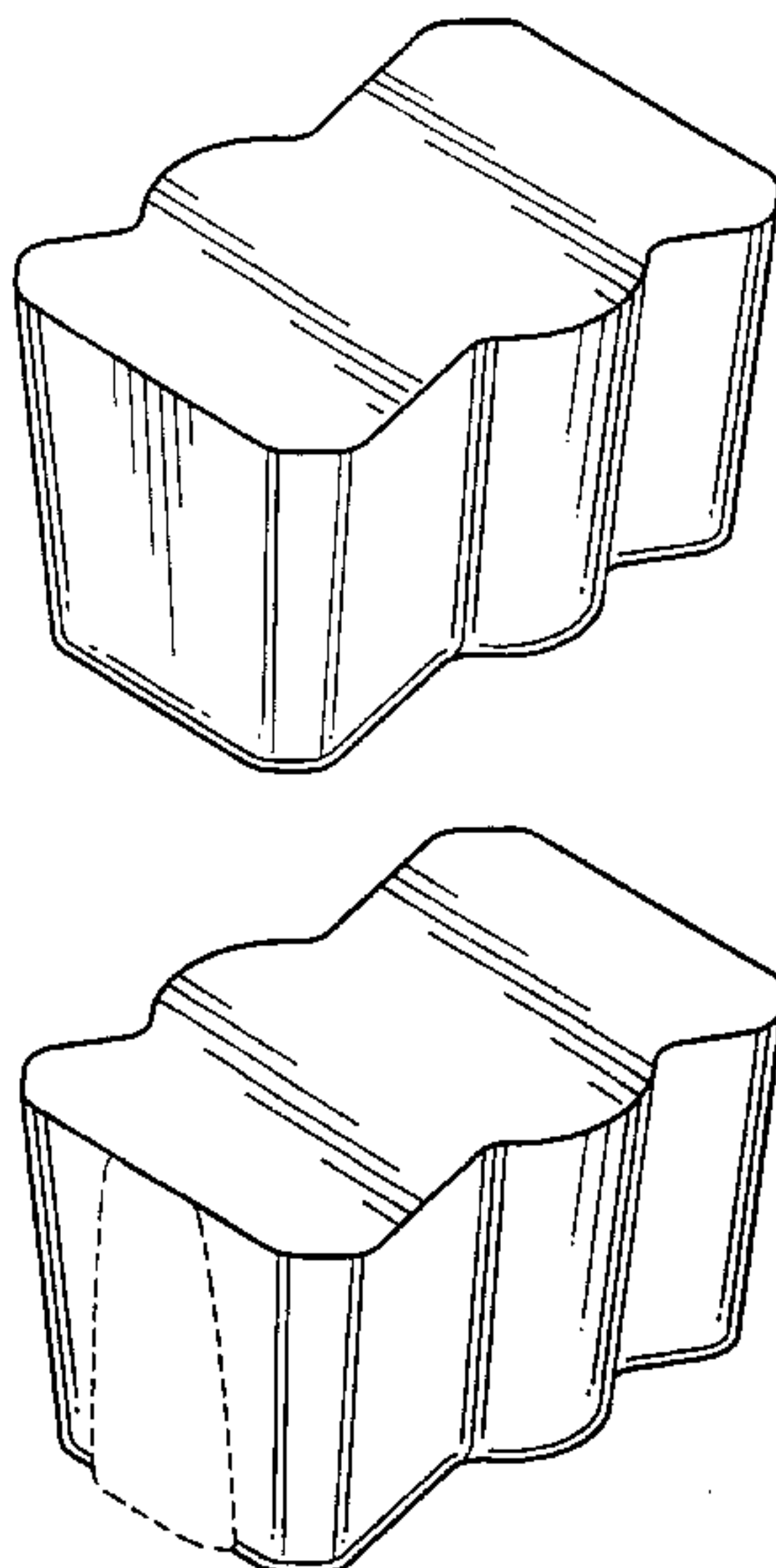
**DESCRIPTION**

FIG. 1 is a front perspective view of a solid ink stick for a color printer showing our new design; FIG. 2 is a top plan view thereof; FIG. 3 is a side elevational view thereof, the opposite side being identical; FIG. 4 is an end elevational view thereof, the opposite end being identical; FIG. 5 is a bottom plan view thereof; FIG. 6 is a front perspective view of a second embodiment of FIG. 1; FIG. 7 is an end elevational view of FIG. 6, the opposite end being identical; FIG. 8 is a bottom plan view of FIG. 6; and, FIG. 9 is a side elevational view of FIG. 6, the opposite side being identical.

The top of the second embodiment is identical to FIG. 2 of the first embodiment.

The broken line portions of FIGS. 6-9 are environmental only and form no part of the claimed design.

**1 Claim, 2 Drawing Sheets**



U.S. PATENT DOCUMENTS

4,667,206	5/1987	DeYoung .....	347/88	5,223,860	6/1993	Loofbourow et al. .	
4,723,135	2/1988	Yano et al. ....	347/99	5,230,731	7/1993	Kanbayaski et al. ....	347/99
4,739,339	4/1988	DeYoung et al. ....	347/88	5,235,350	8/1993	Lin et al. ....	347/88
4,823,146	4/1989	Cooke et al. .		5,259,873	11/1993	Fujioka .....	347/99
5,003,322	3/1991	Creagh et al. ....	347/88	5,259,874	11/1993	Miller et al. ....	347/99
5,038,157	8/1991	Howard .....	347/88	5,290,346	3/1994	Fujioka .....	347/99
5,123,961	6/1992	Yamamoto .....	106/31.61	5,442,387	8/1995	Loofbourow et al. ....	347/88
5,124,719	6/1992	Matsuzaki .....	347/88	5,510,821	4/1996	Jones et al. ....	347/88
5,181,049	1/1993	Mackay et al. ....	347/88	5,539,437	7/1996	Penwell .....	347/54
5,209,998	5/1993	Kavassalis et al. ....	347/99	5,541,624	7/1996	Cooke et al. ....	347/99

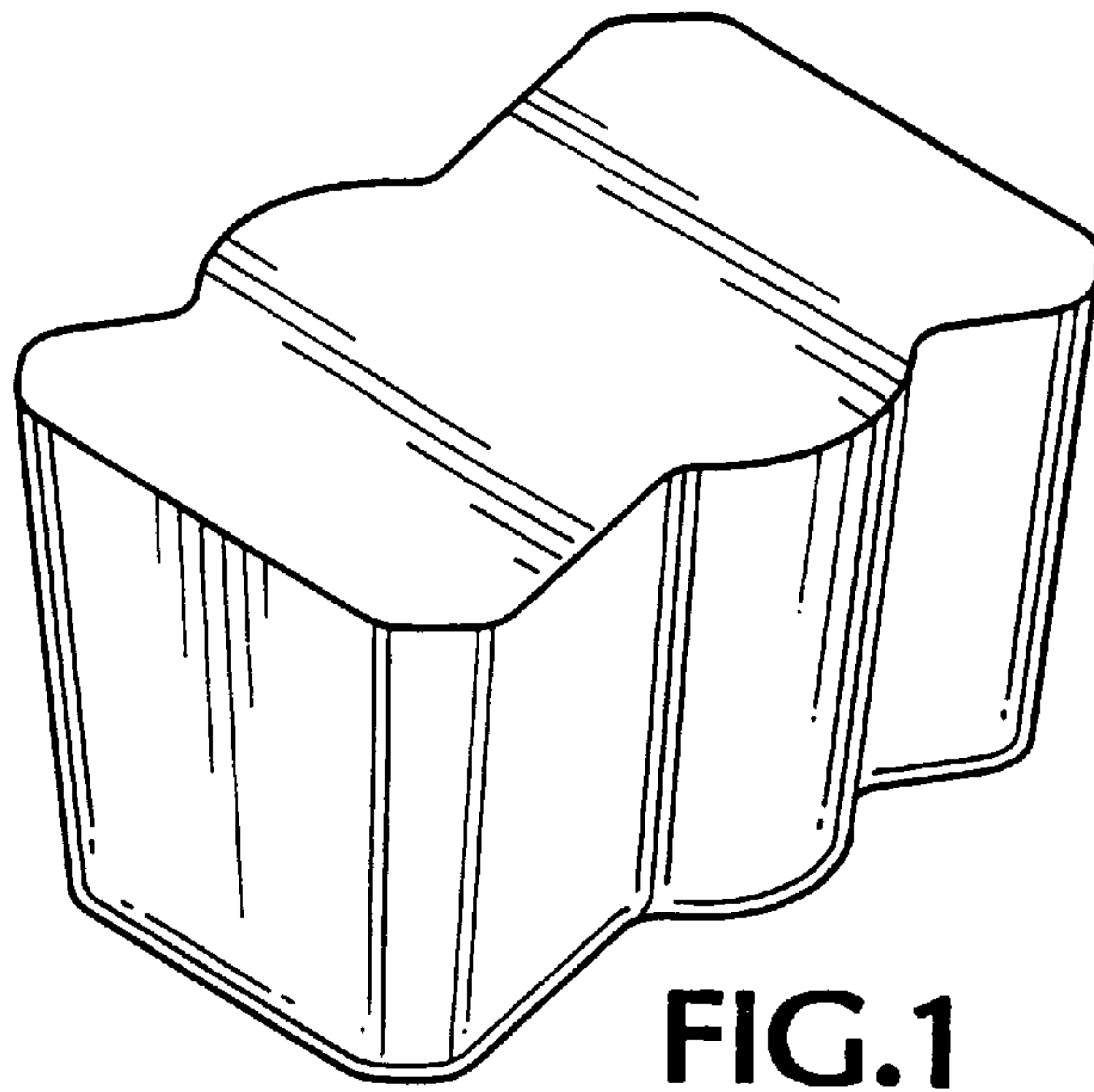


FIG. 1

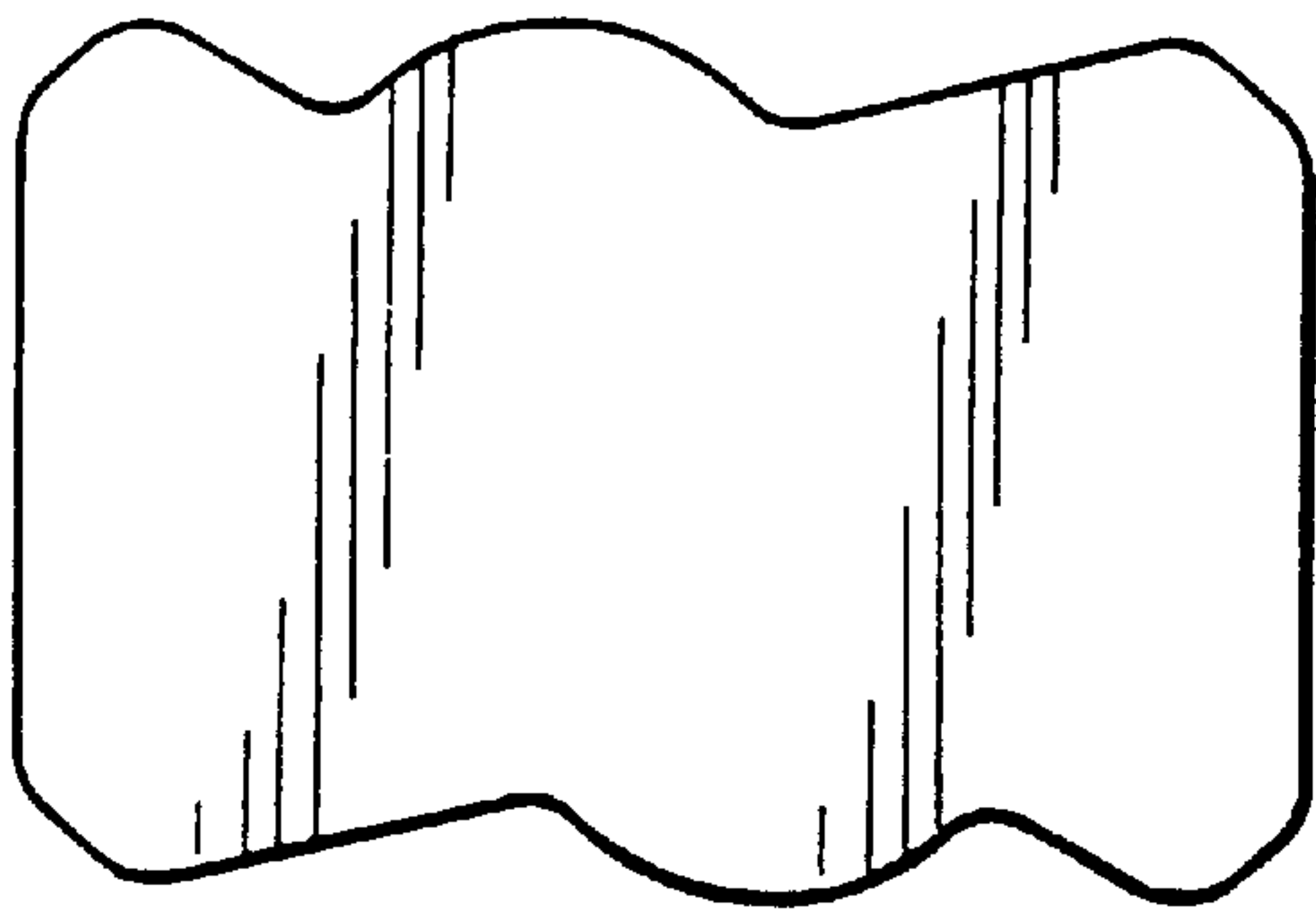


FIG. 2

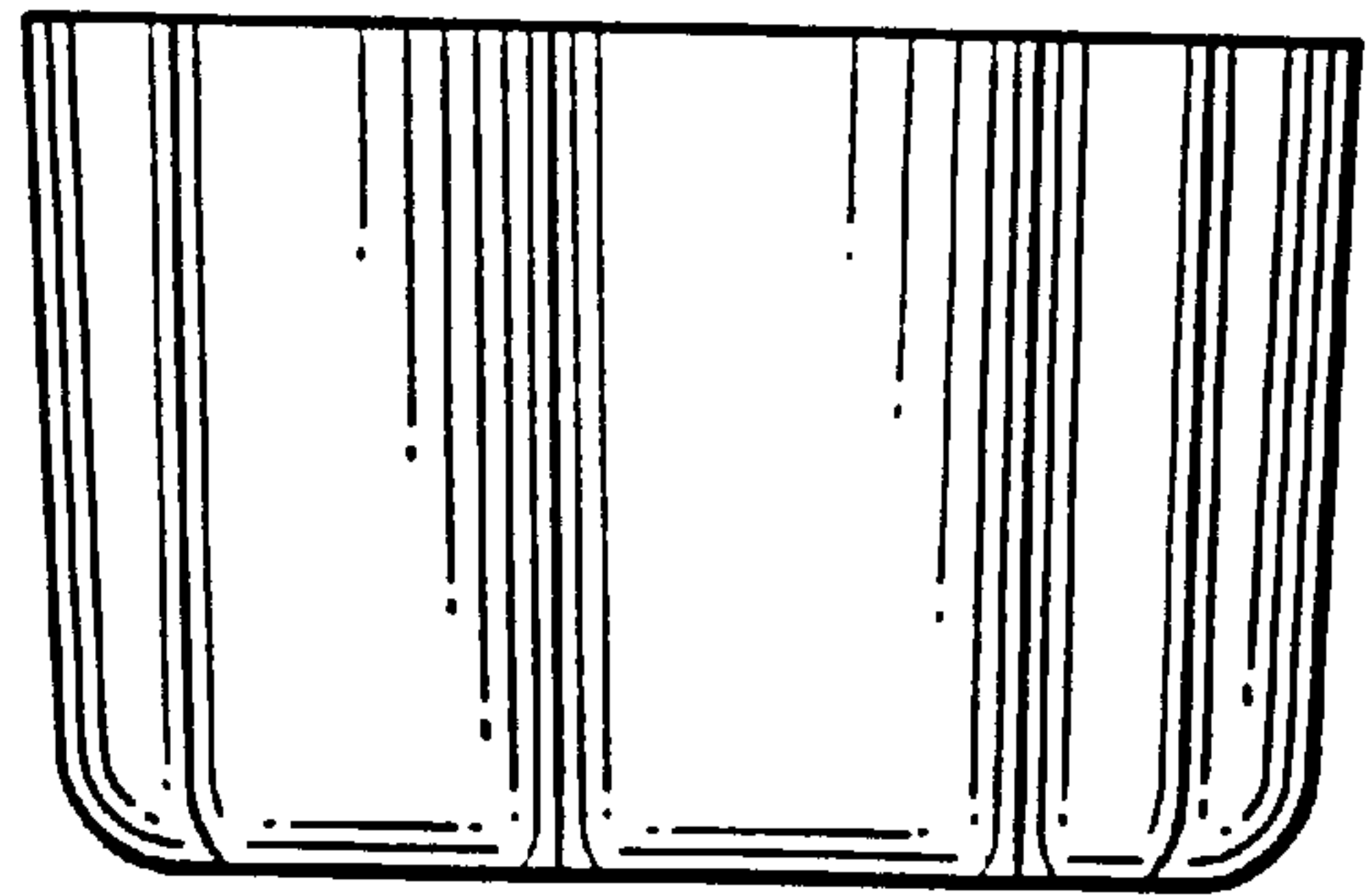


FIG. 3

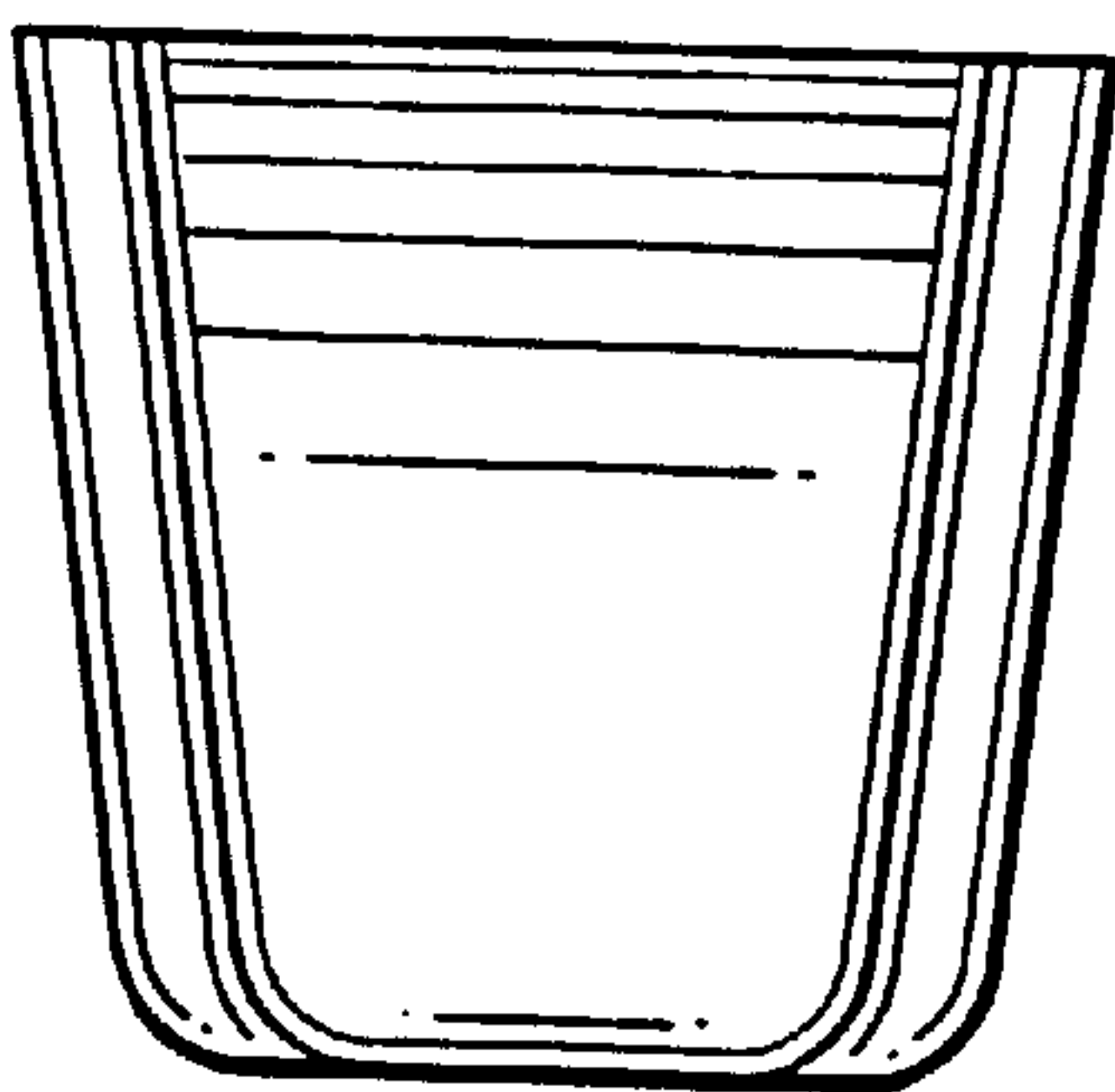


FIG. 4

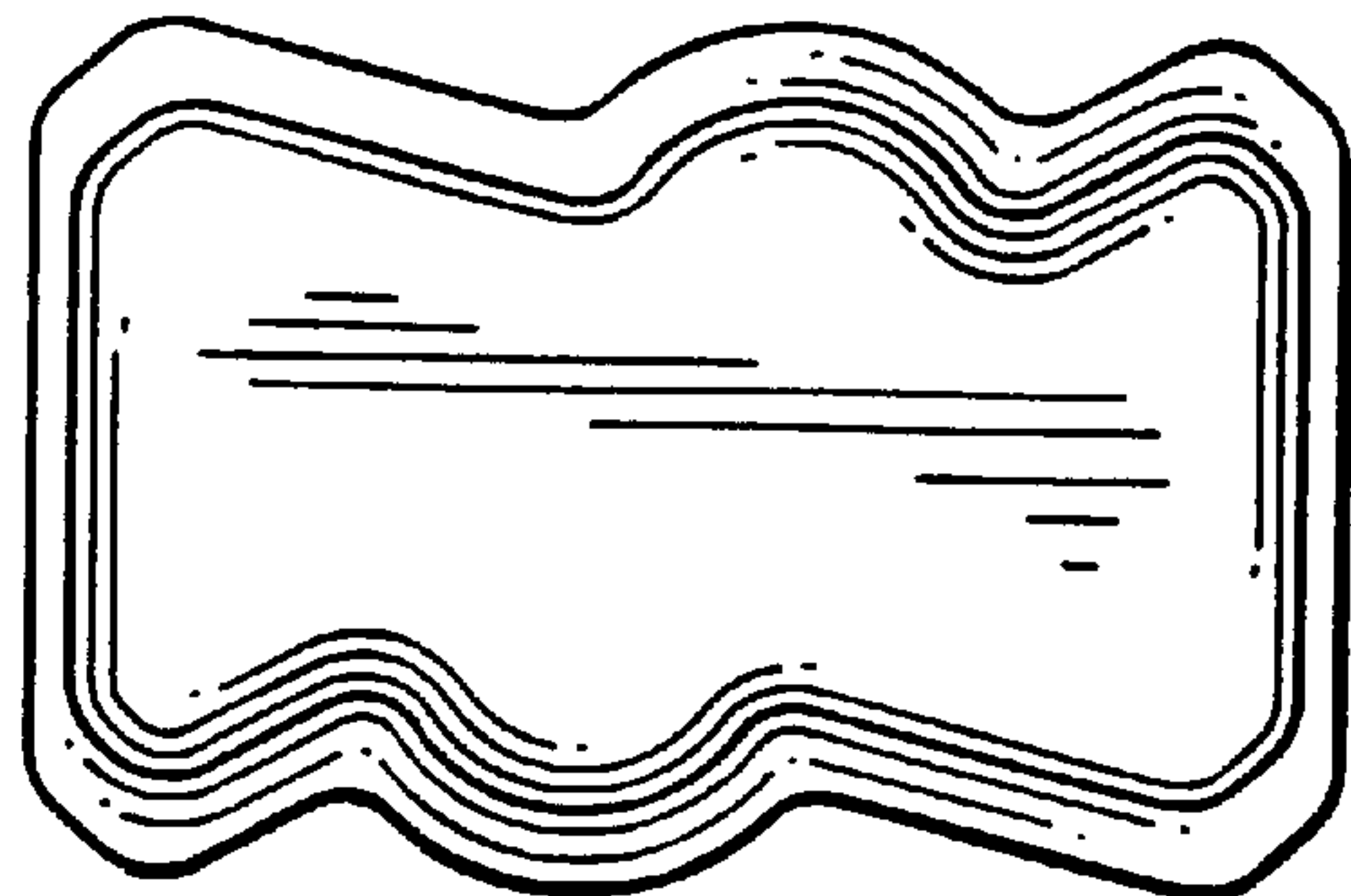


FIG. 5

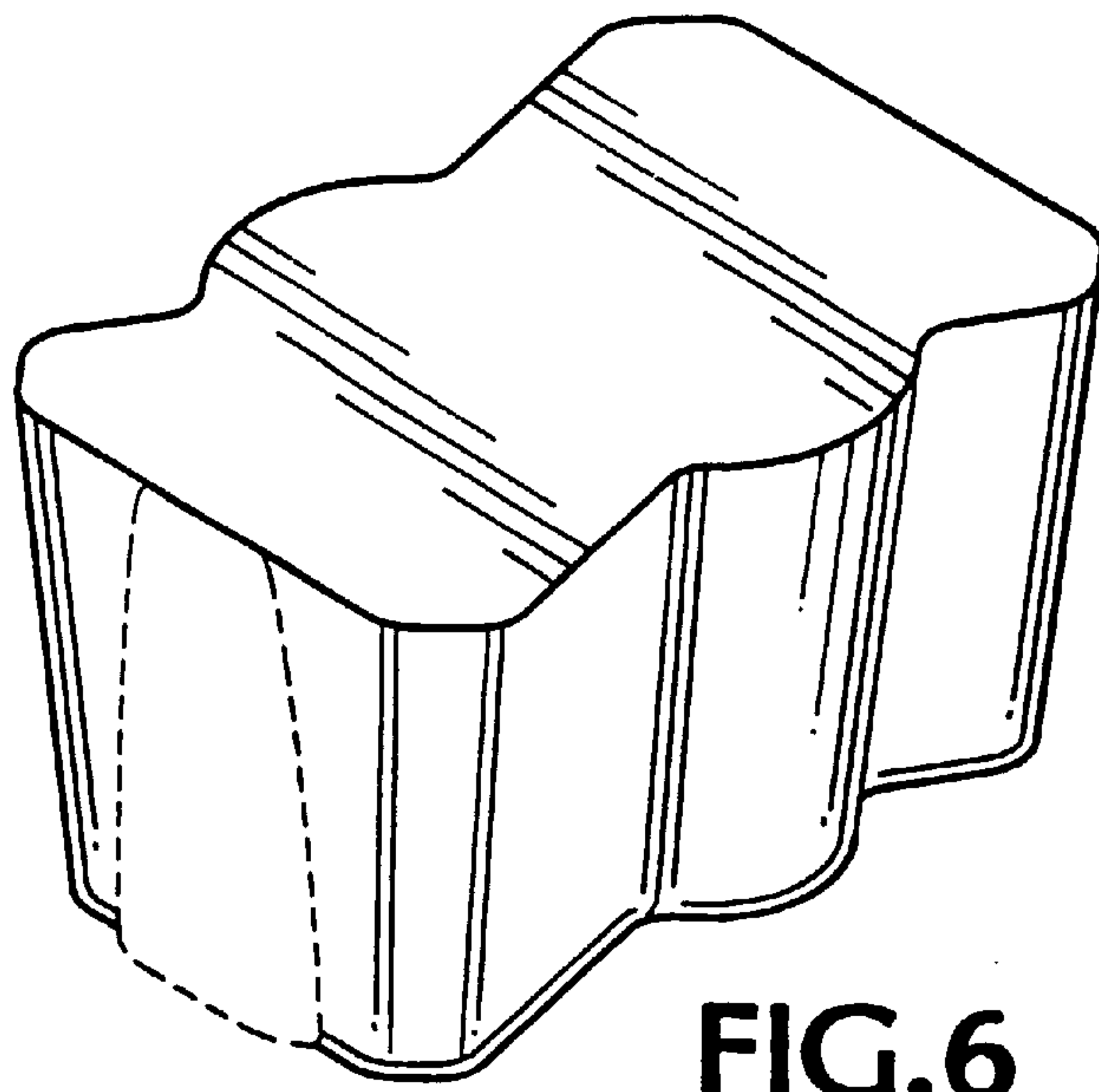


FIG. 6

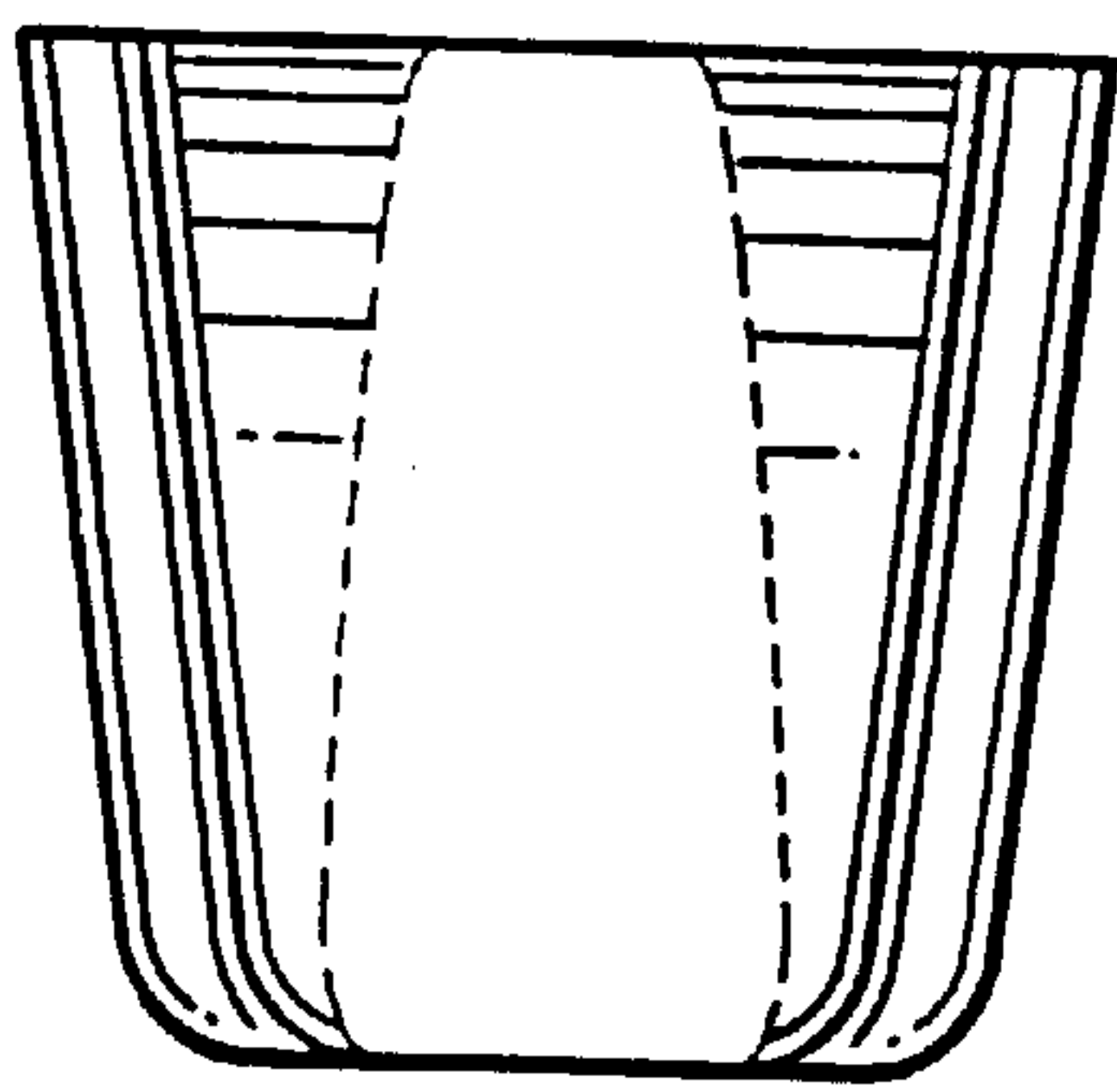


FIG. 7

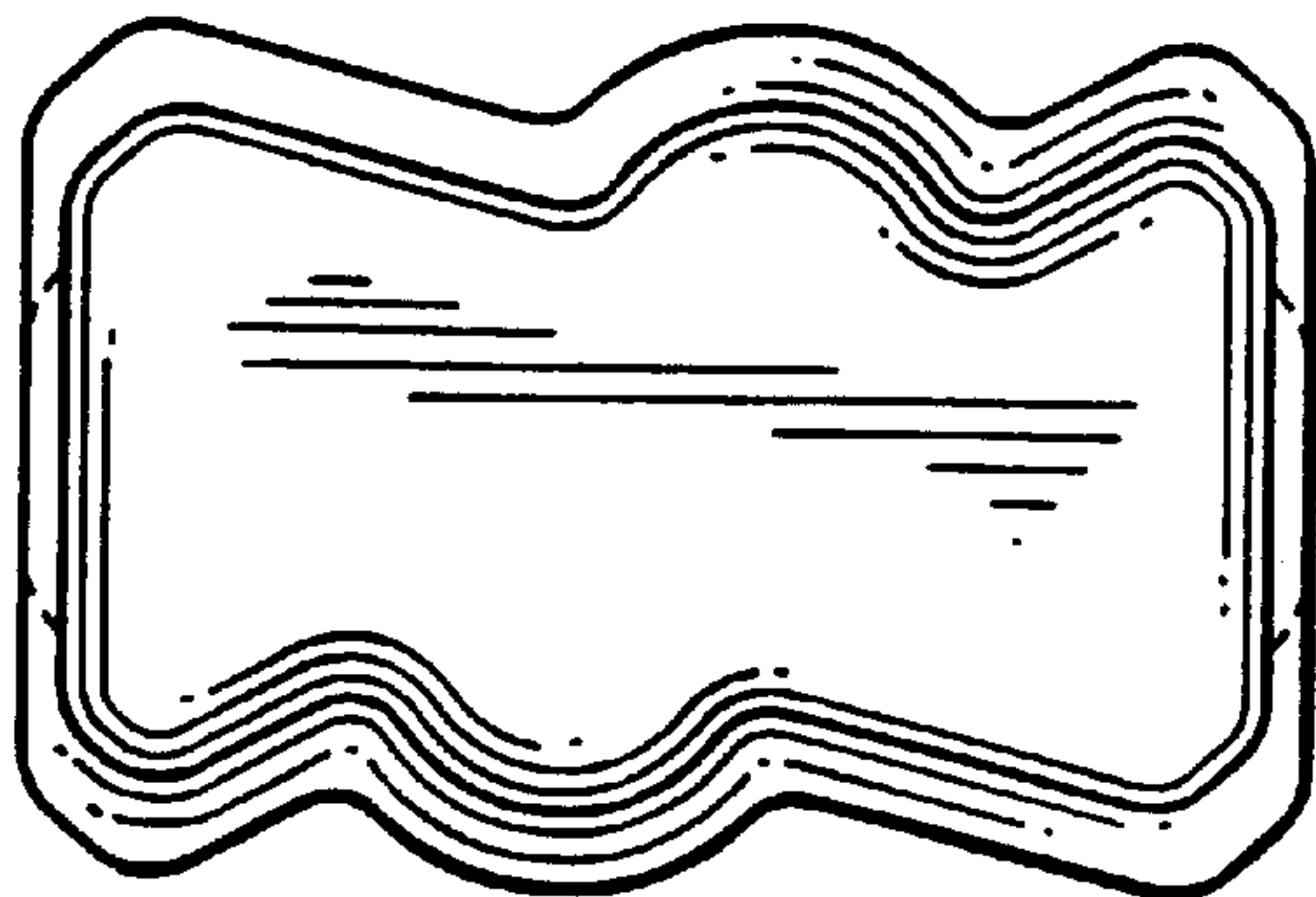


FIG. 8

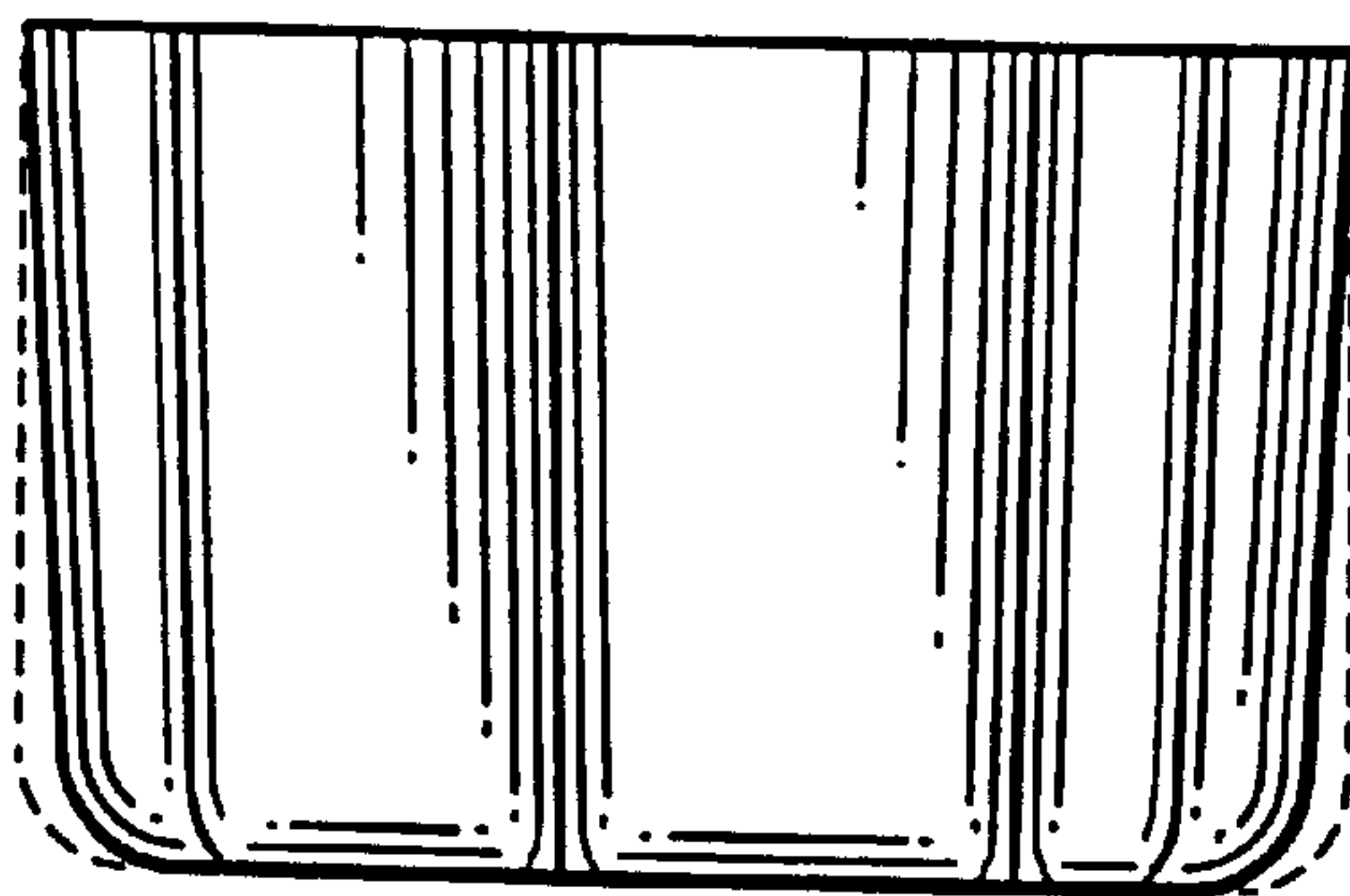


FIG. 9