



US00D416930S

United States Patent [19] Choi

[11] **Patent Number: Des. 416,930**

[45] **Date of Patent: ** Nov. 23, 1999**

[54] **CAMERA FOR A TELEPHONE CAPABLE OF OBSERVING THE SUBJECT BY TV MONITOR**

5,734,414 3/1998 Nishimura et al. 348/14

FOREIGN PATENT DOCUMENTS

8-102882 4/1996 Japan H04N 5/225

OTHER PUBLICATIONS

Sanyo New Product Information Page, (USB Camera MMC-U10), 1997.

Vivitar Digital Imaging Page, (Vivicam Y26,800), Mar. 1998.

Primary Examiner—Adir Aronovich
Attorney, Agent, or Firm—Birch, Stewart, Kolasch & Birch, LLP

[75] Inventor: **Kwang Youl Choi**, Seoul, Rep. of Korea

[73] Assignee: **Ko Sung Wook**, Seoul, Rep. of Korea

[**] Term: **14 Years**

[21] Appl. No.: **29/092,891**

[22] Filed: **Aug. 28, 1998**

[30] Foreign Application Priority Data

May 16, 1998 [KR] Rep. of Korea 98/8034

[51] **LOC (6) Cl.** **16-01**

[52] **U.S. Cl.** **D16/203; D14/130; D16/202**

[58] **Field of Search** D14/114, 130; D16/200-206, 208; 248/917, 918, 921, 922, 923, 349.1; 348/14-20, 143, 373, 374-376; 358/906, 909.1; 396/535-543; H04N 2/225

[56] References Cited

U.S. PATENT DOCUMENTS

D. 355,205	2/1995	Yokoi	D16/202
D. 359,499	6/1995	Gower et al.	D16/202
D. 374,023	9/1996	Beck et al.	D16/202
D. 374,242	10/1996	Yamanouchi	D16/202
D. 386,195	11/1997	Oates	D16/202

[57] CLAIM

The ornamental design for a camera for a telephone capable of observing the subject by TV monitor, as shown and described.

DESCRIPTION

FIG. 1 is a perspective view showing my new design for a camera for a telephone capable of observing the subject by TV monitor,

FIG. 2 is a front view thereof,

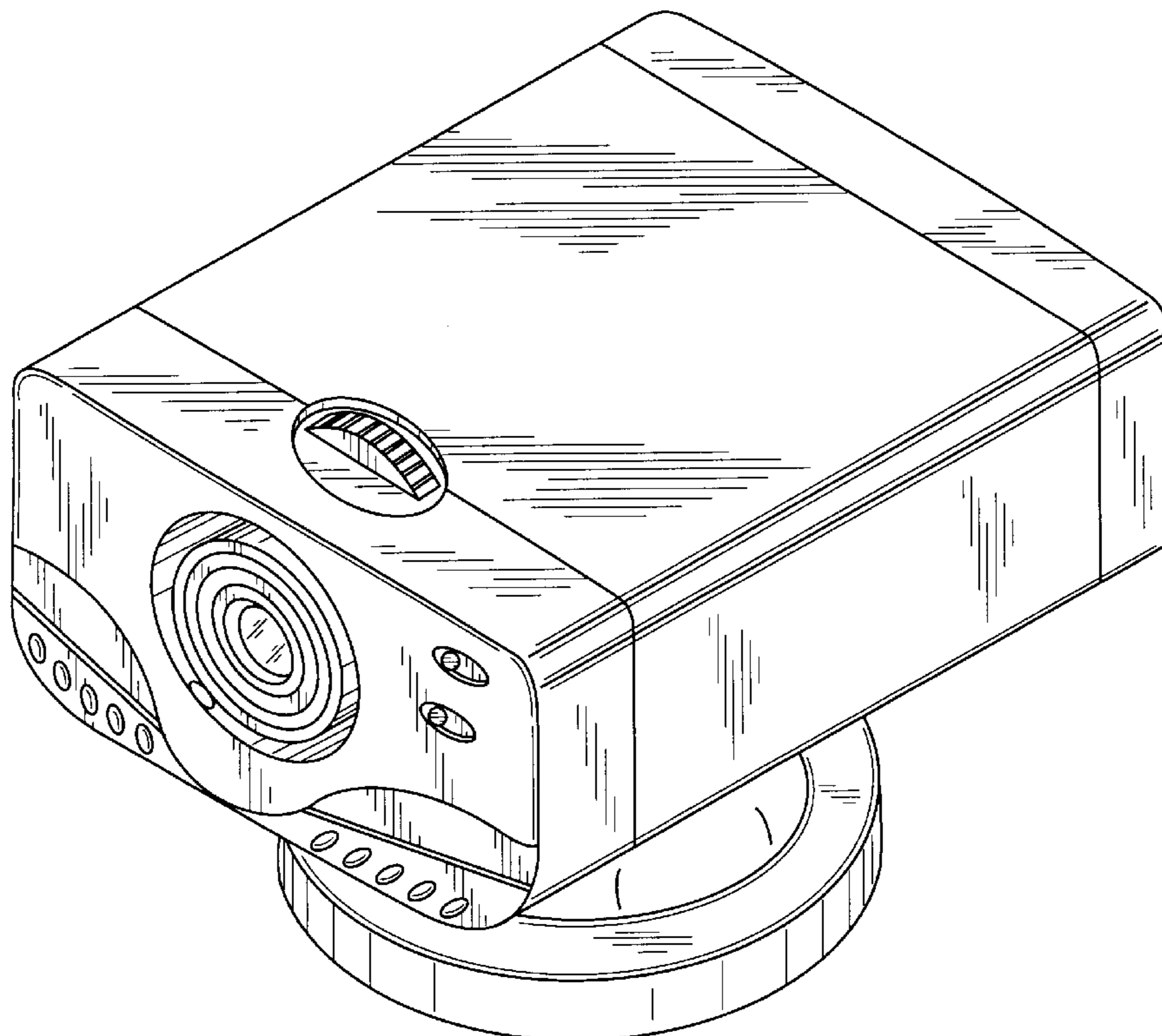
FIG. 3 is a rear view thereof,

FIG. 4 is a right side view thereof, the left side being a mirror image thereof,

FIG. 5 is a top plan view thereof; and,

FIG. 6 is a bottom plan view thereof.

1 Claim, 4 Drawing Sheets



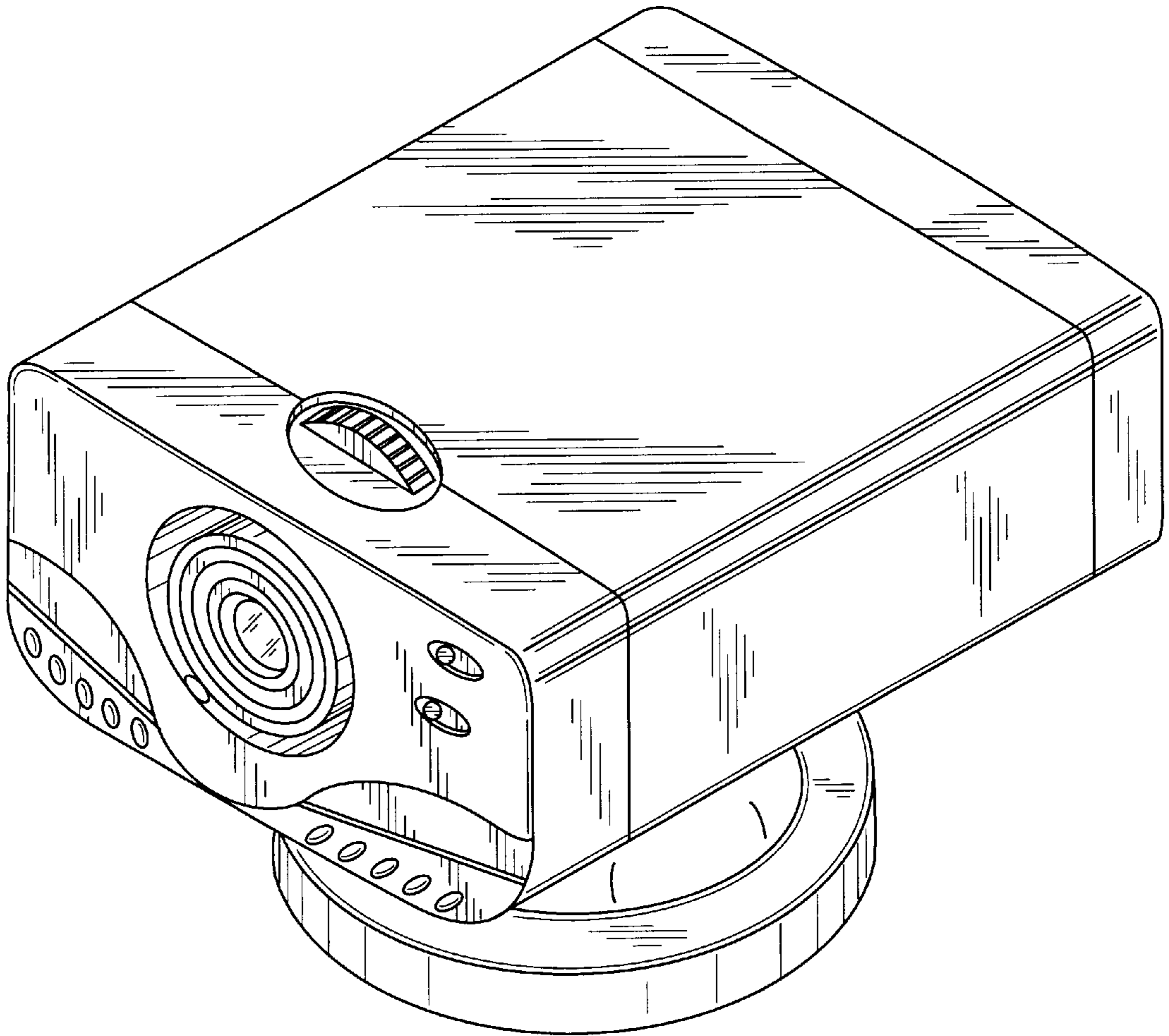


FIG. 1

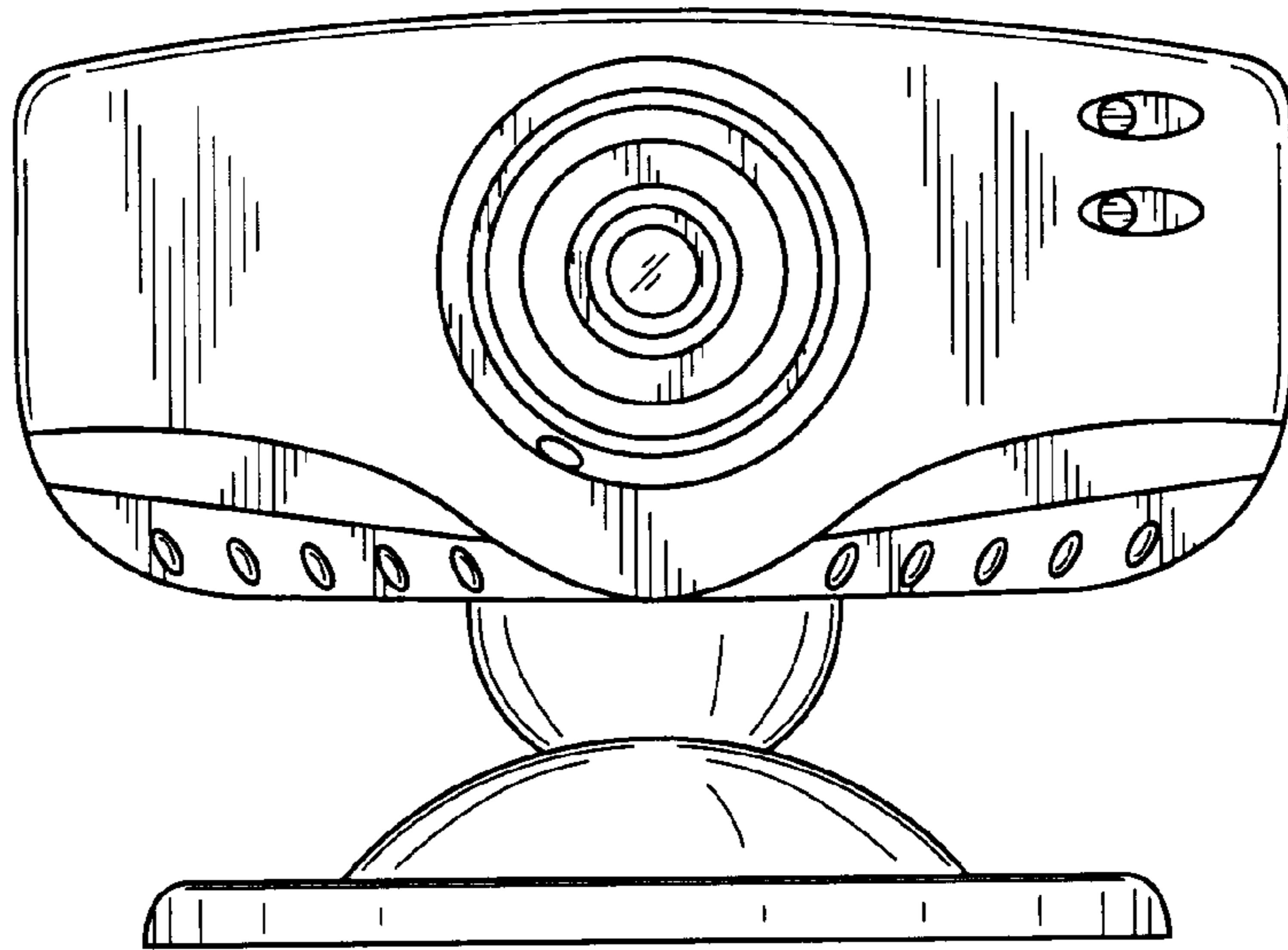


FIG. 2

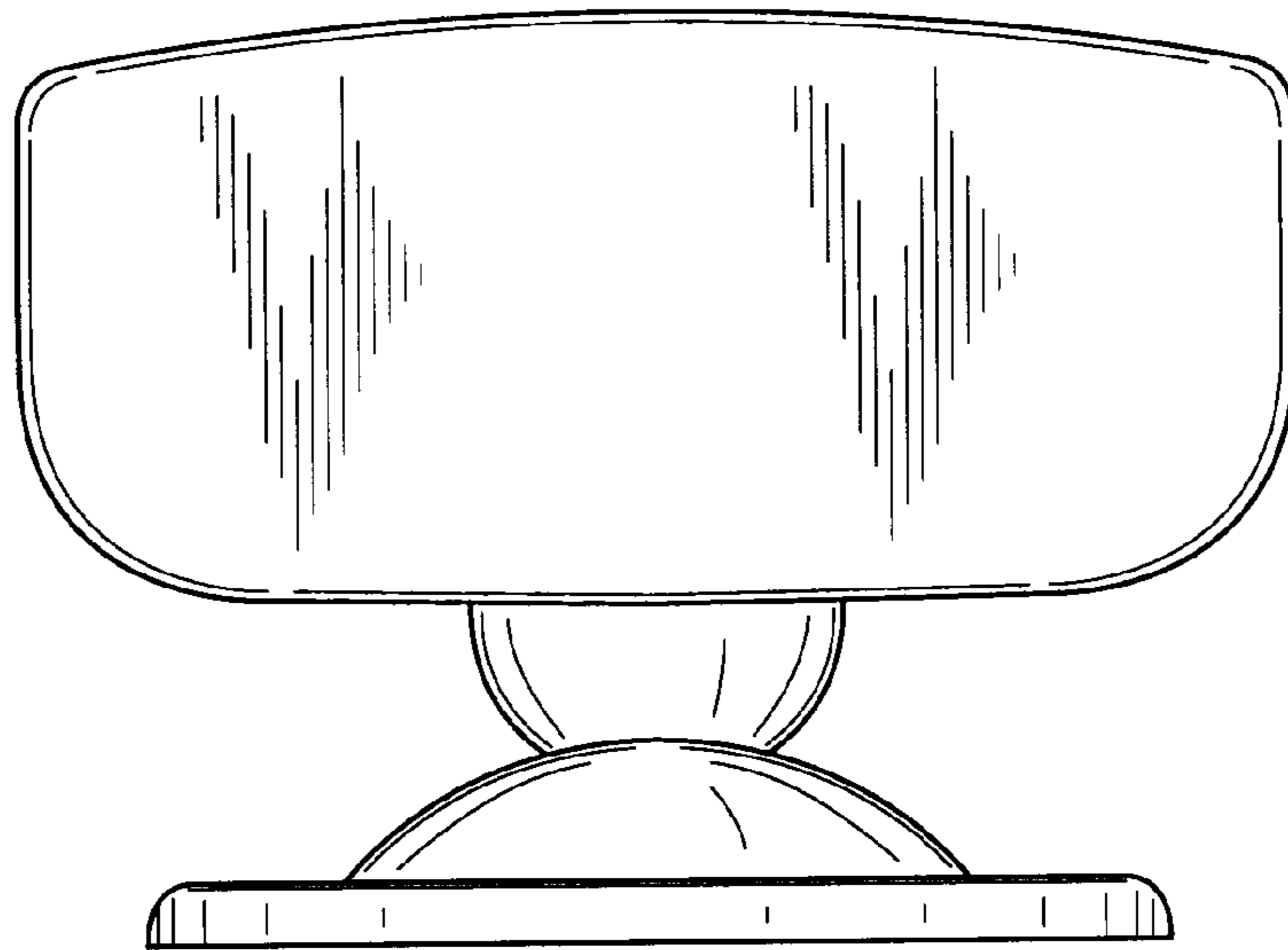


FIG. 3

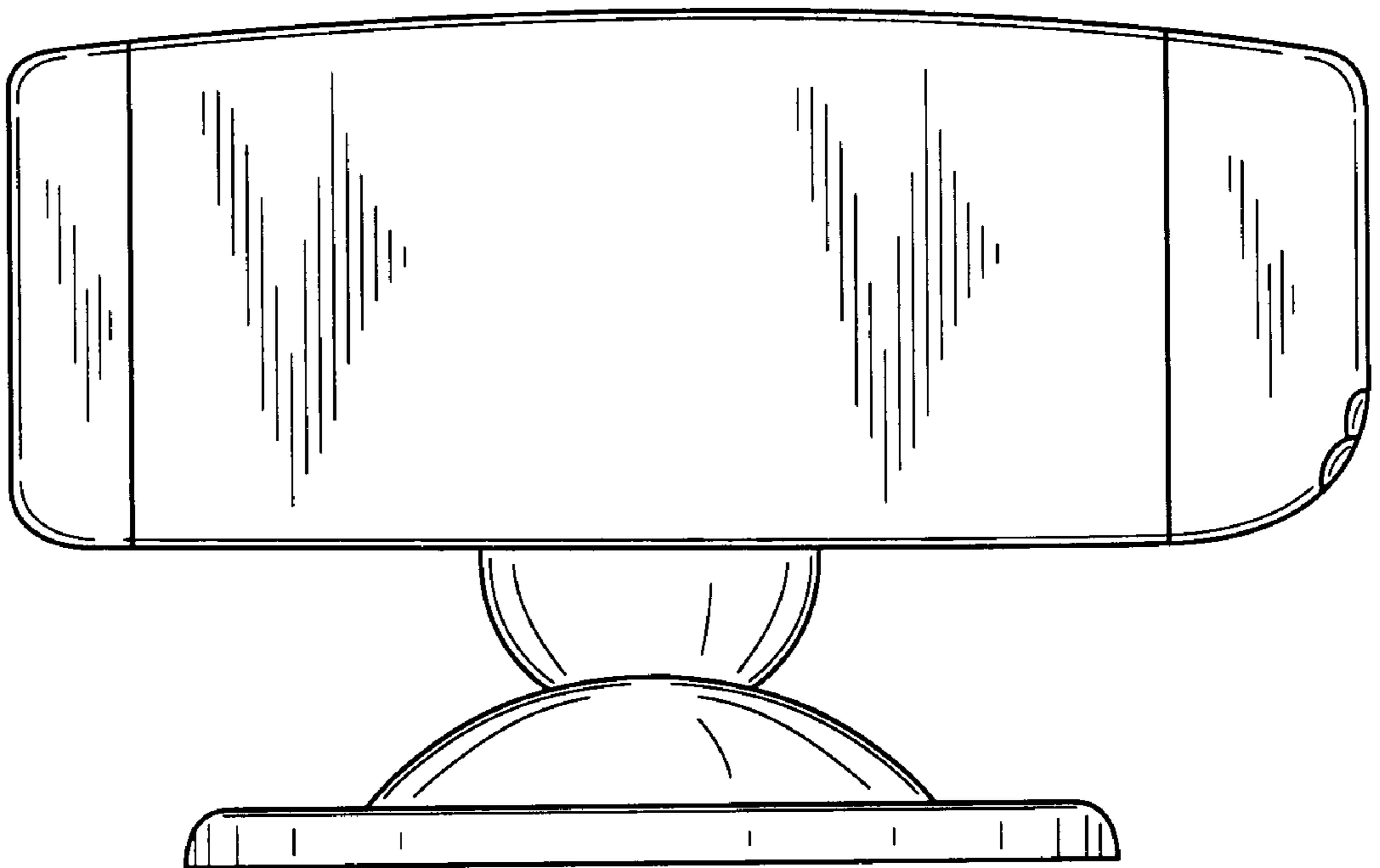


FIG. 4

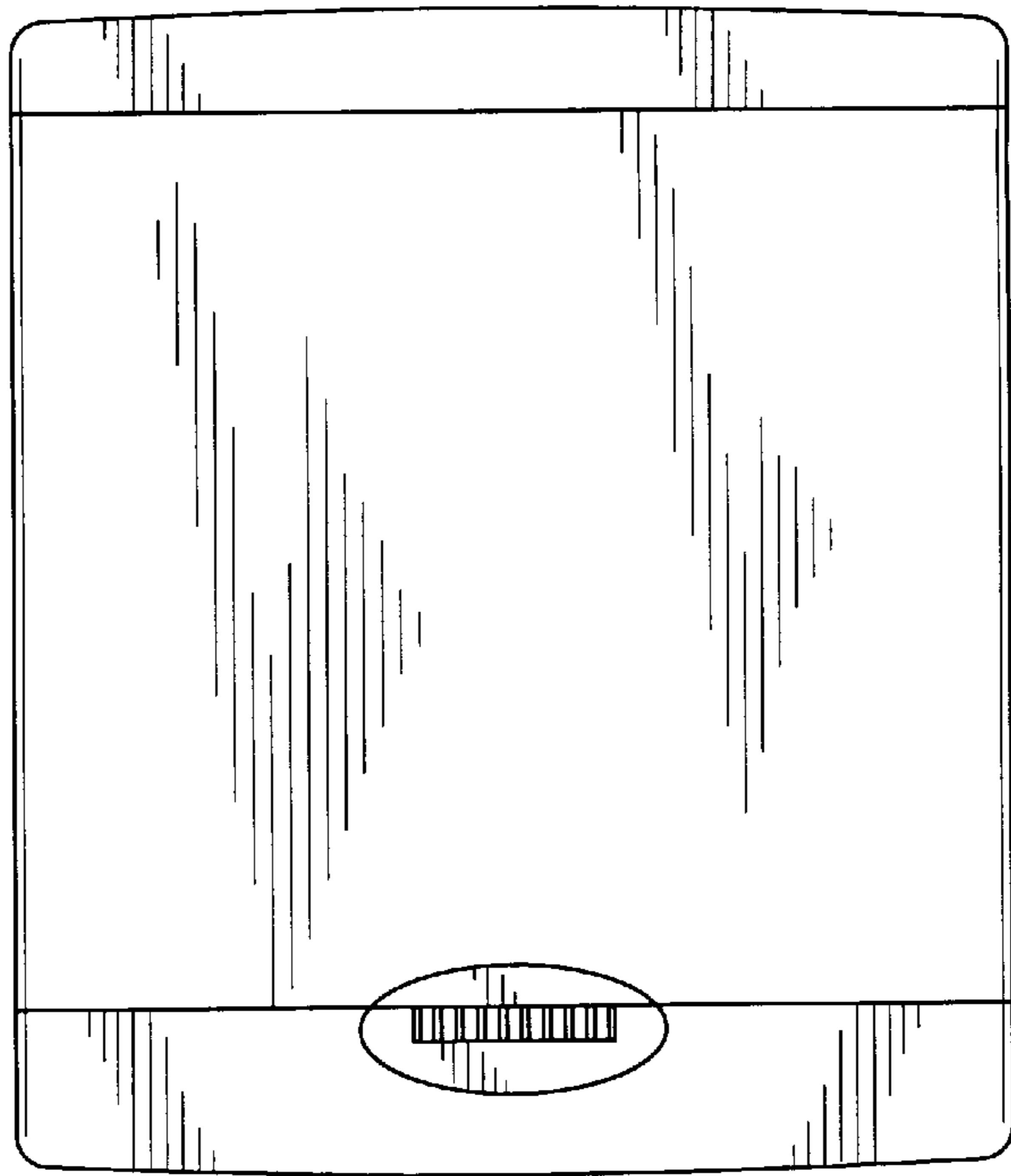


FIG. 5

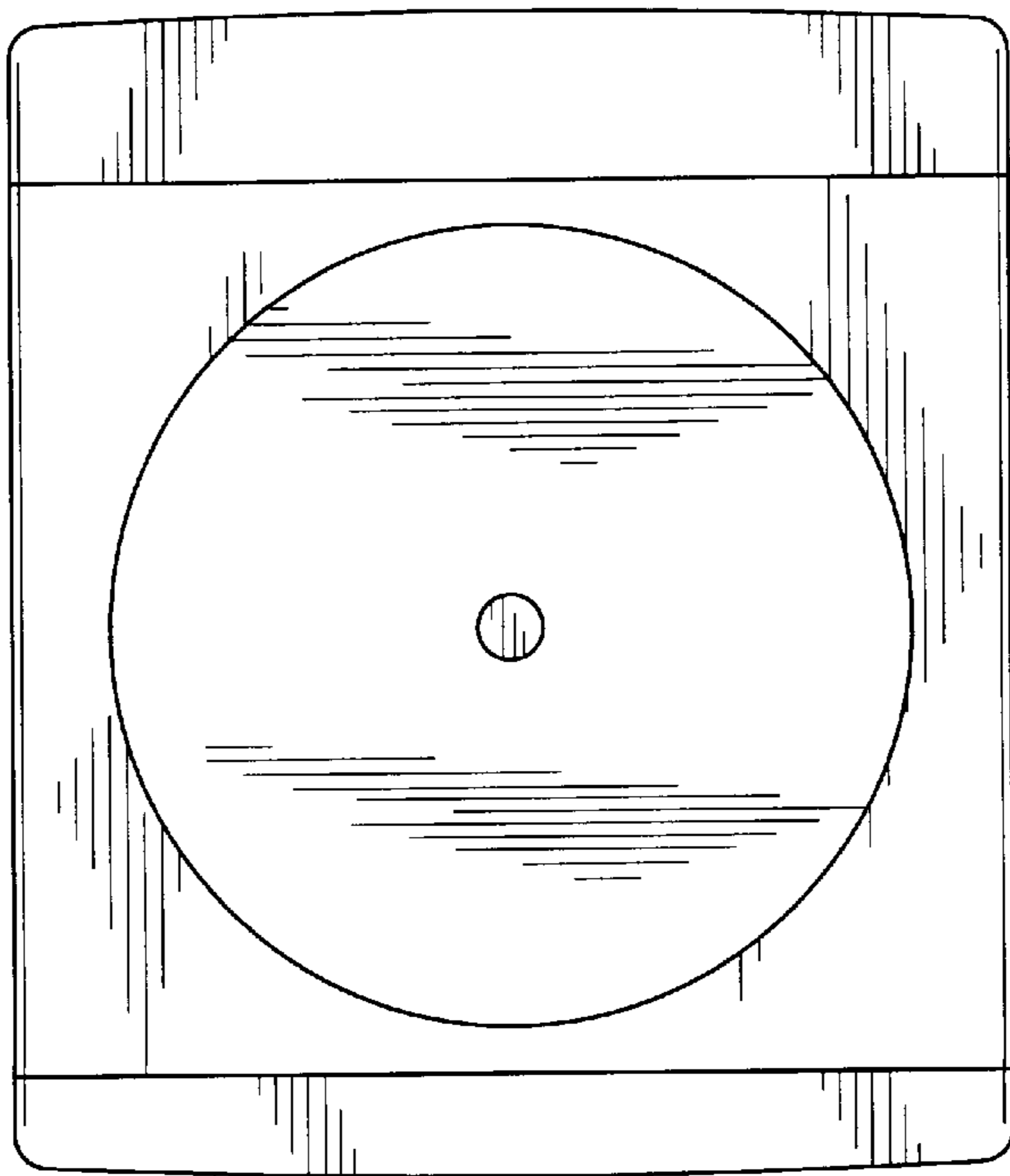


FIG. 6