



US00D416929S

# United States Patent [19] Miyashita

[11] **Patent Number: Des. 416,929**

[45] **Date of Patent: \*\* Nov. 23, 1999**

[54] **COMBINED VIDEO TAPE RECORDER AND CAMERA**

[75] Inventor: **Shin Miyashita**, Tokyo, Japan

[73] Assignee: **Sony Corporation**, Tokyo, Japan

[\*\*] Term: **14 Years**

[21] Appl. No.: **29/086,703**

[22] Filed: **Apr. 17, 1998**

[51] **LOC (6) Cl.** ..... **16-01**

[52] **U.S. Cl.** ..... **D16/202**

[58] **Field of Search** ..... D16/200-208;  
348/373-376; 352/242, 243; 358/906; 396/535-543

[56] **References Cited**

**U.S. PATENT DOCUMENTS**

|            |         |                  |       |         |
|------------|---------|------------------|-------|---------|
| D. 342,960 | 1/1994  | Kurata           | ..... | D16/202 |
| D. 356,589 | 3/1995  | Sumita           | ..... | D16/202 |
| D. 376,166 | 12/1996 | Ishii            | ..... | D16/202 |
| D. 385,568 | 10/1997 | Harata           | ..... | D16/202 |
| 5,499,052  | 3/1996  | Nakanishi et al. | ..... | 348/373 |

**OTHER PUBLICATIONS**

Sony, p. 161, (1996).

Sony Catalog "87", pp. 6-9, (Nov. 1997).

*Primary Examiner*—Adir Aronovich

*Attorney, Agent, or Firm*—Foley & Lardner

[57] **CLAIM**

The ornamental design for a combined video tape recorder and camera, as shown and described.

**DESCRIPTION**

FIG. 1 is a top, front perspective view of a combined video tape recorder and camera showing my new design;

FIG. 2 is a top, rear perspective view thereof, the viewing screen shown in an extending away position;

FIG. 3 is a top, rear perspective view of thereof, the viewing screen shown in the first alternate position;

FIG. 4 is a top, rear perspective view thereof, the viewing screen shown in the second alternate position; and

FIG. 5 is a top, rear perspective view thereof, the viewing screen shown in the third alternate position;

FIG. 6 is a top plan view of the first embodiment;

FIG. 7 is a left side elevational view thereof;

FIG. 8 is a front elevational view thereof;

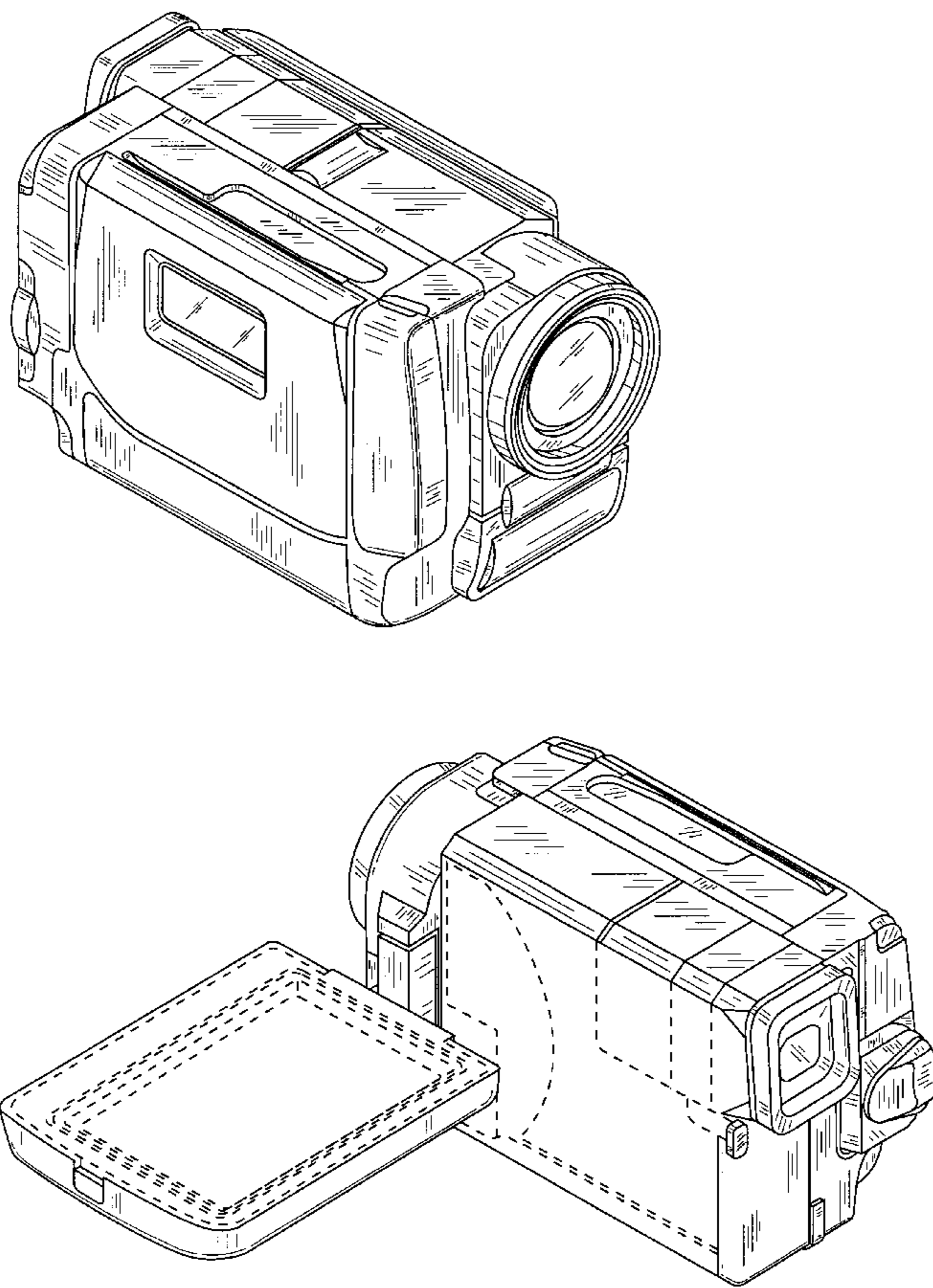
FIG. 9 is a right side elevational view thereof;

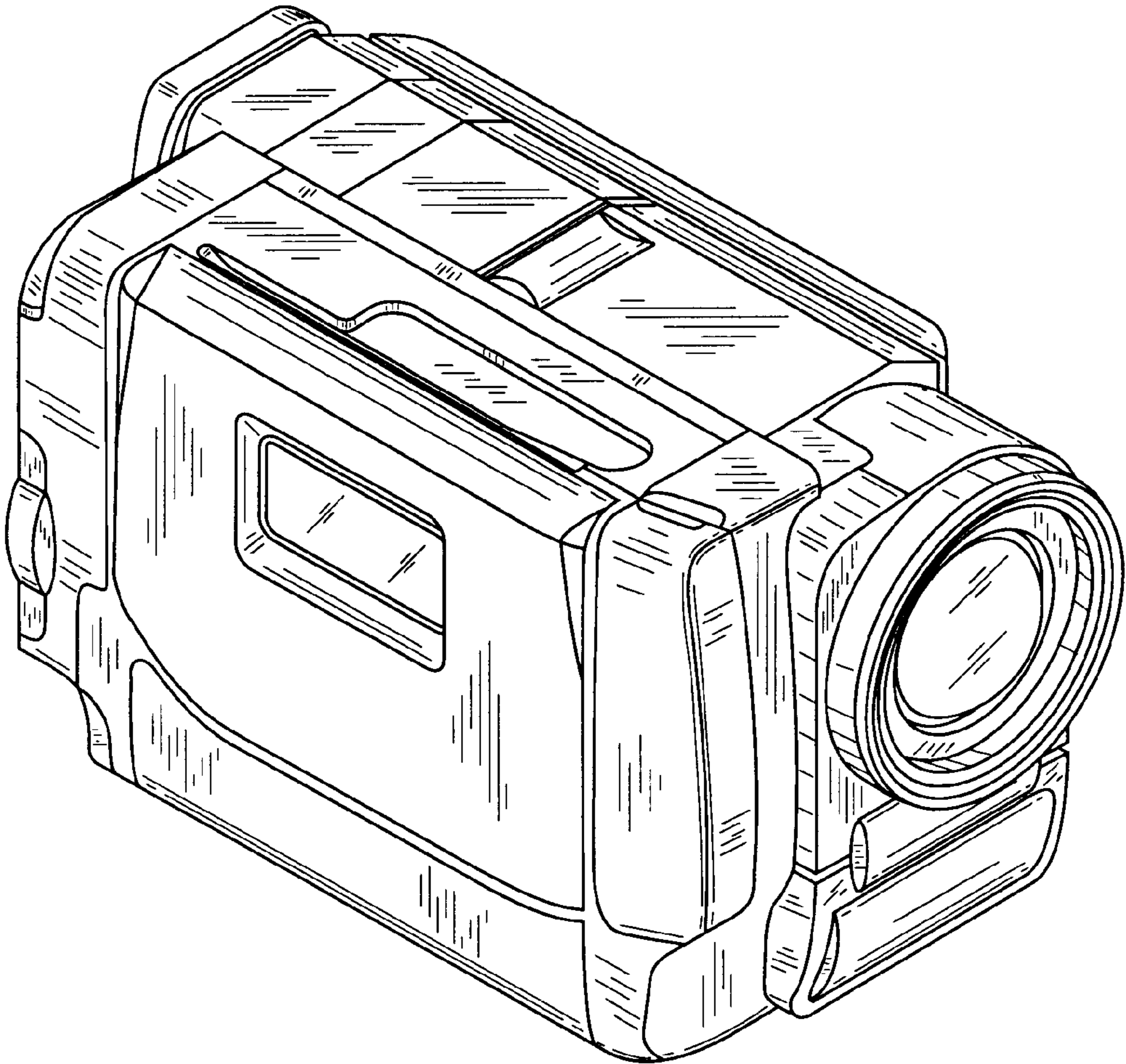
FIG. 10 is a rear elevational view thereof; and,

FIG. 11 is a bottom plan view thereof.

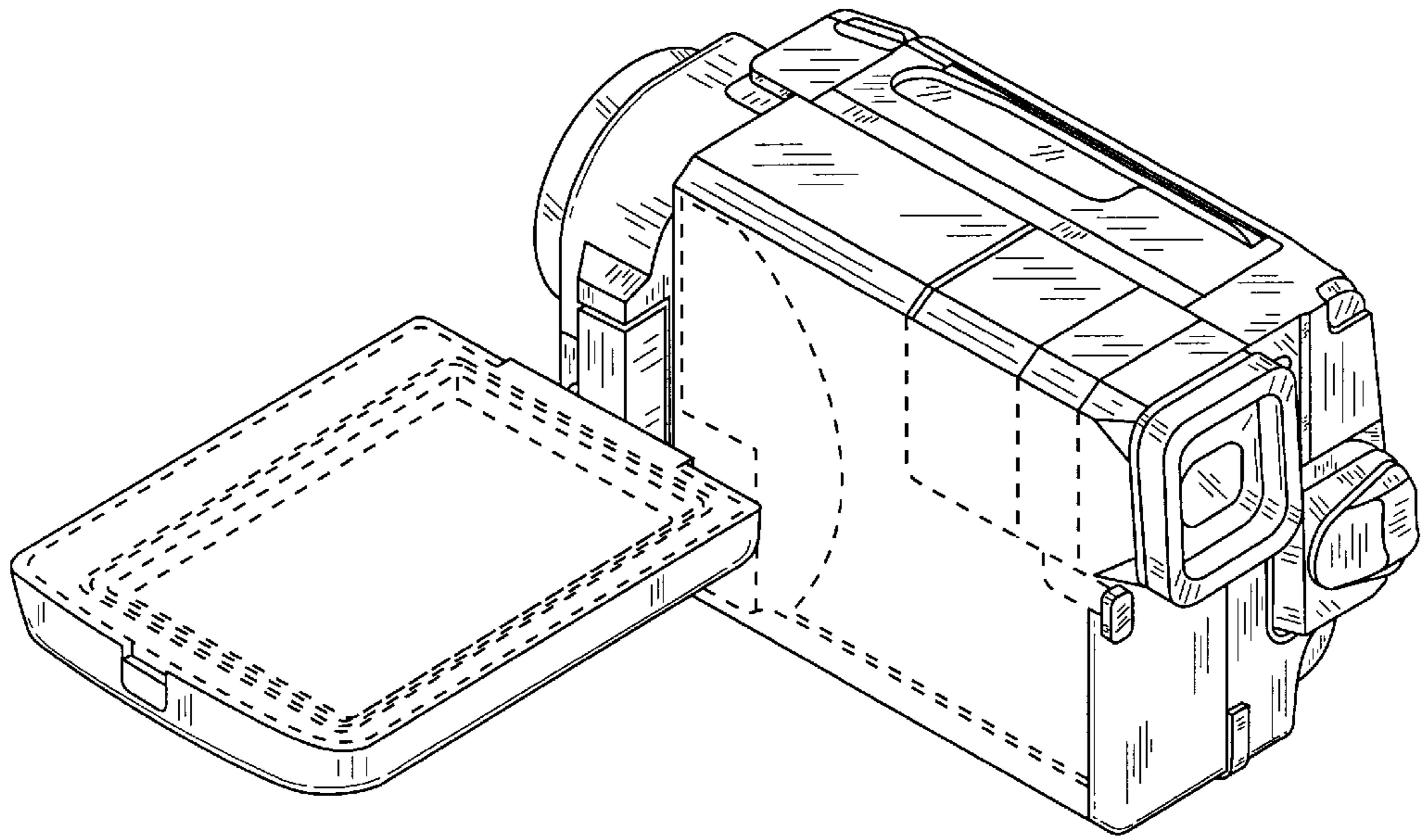
The broken line shown in FIGS. 2-5 are for illustrative purposes only and form no part of the claimed design.

**1 Claim, 6 Drawing Sheets**

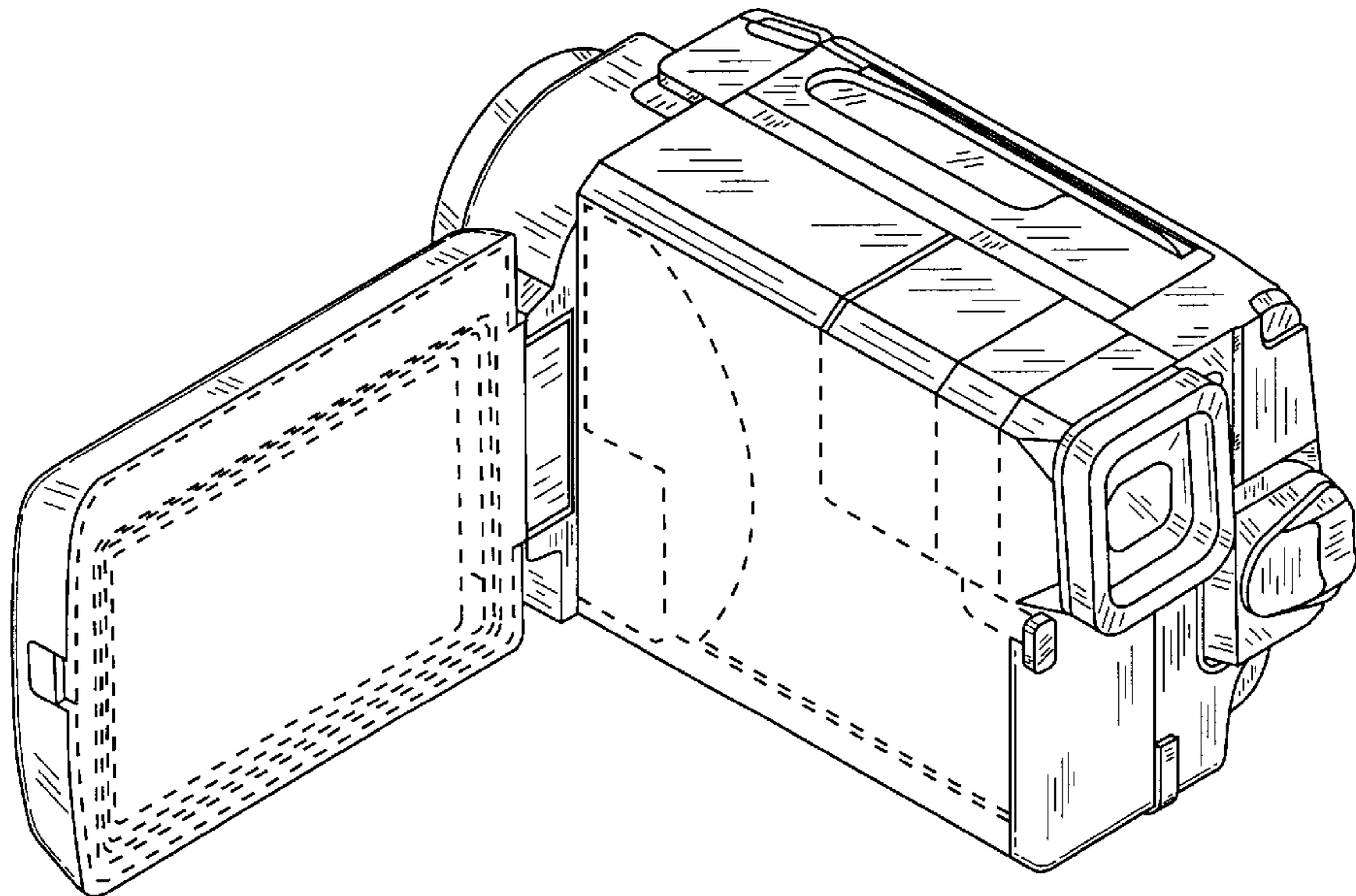




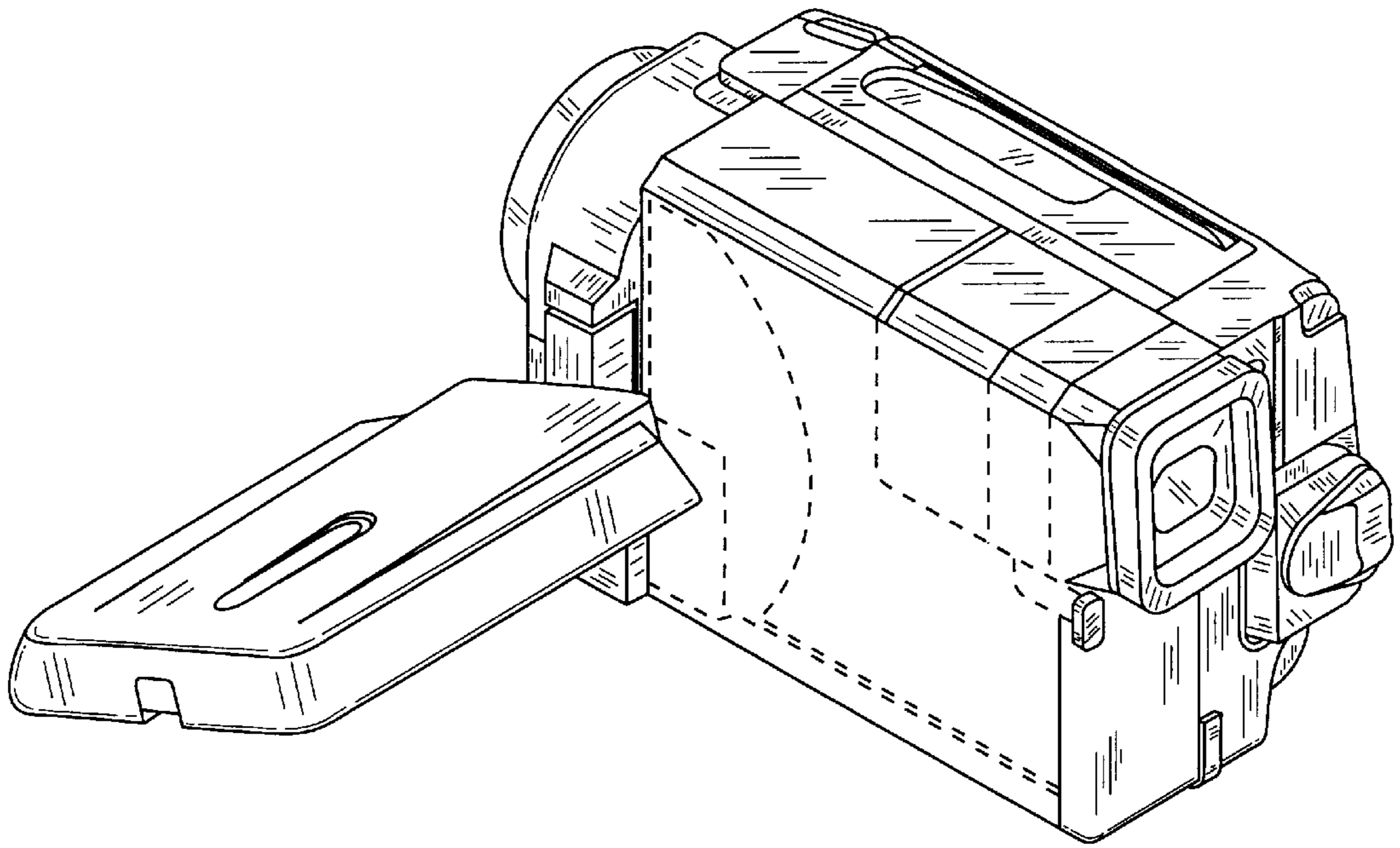
**FIG. 1**



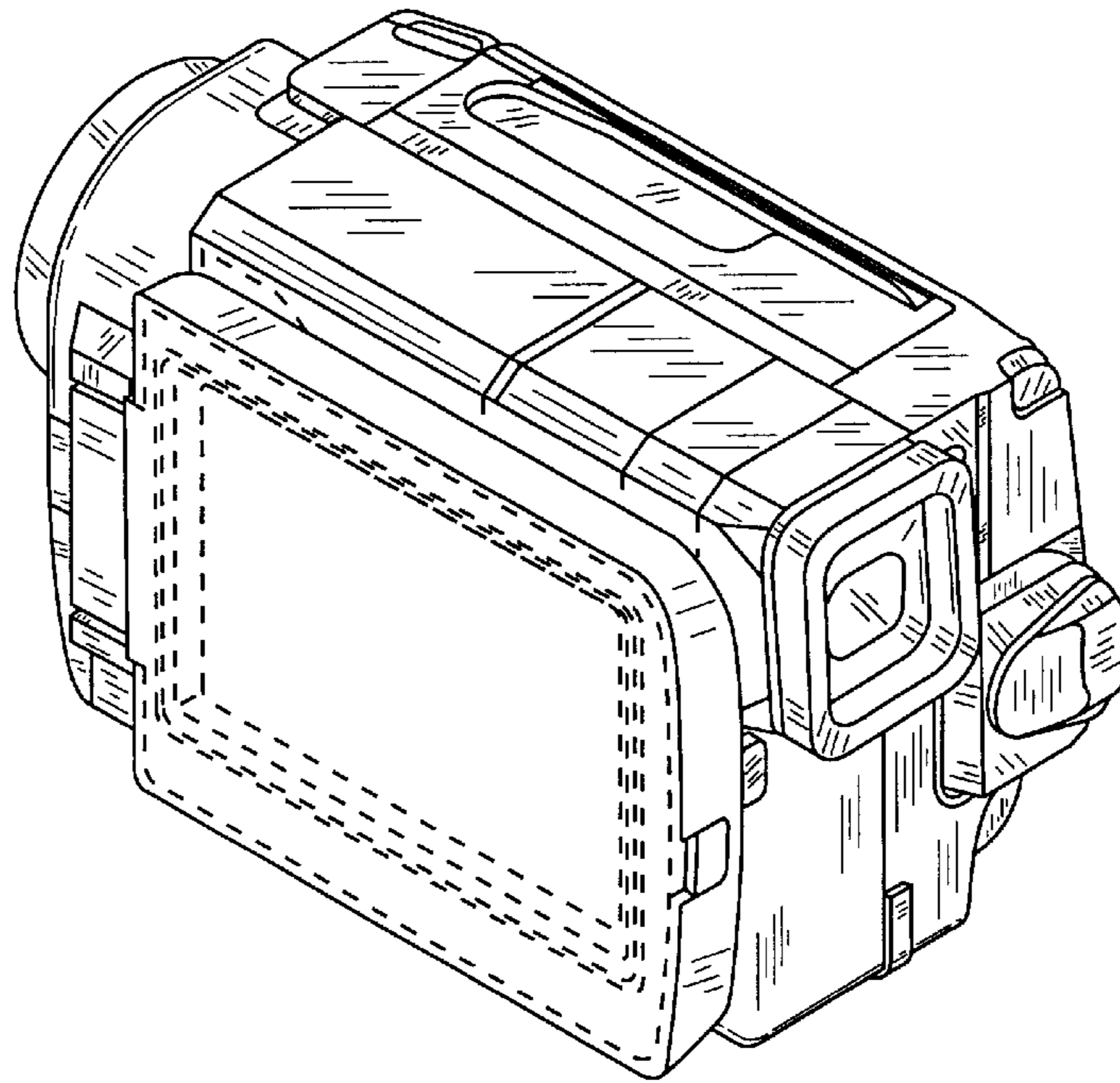
**FIG. 2**



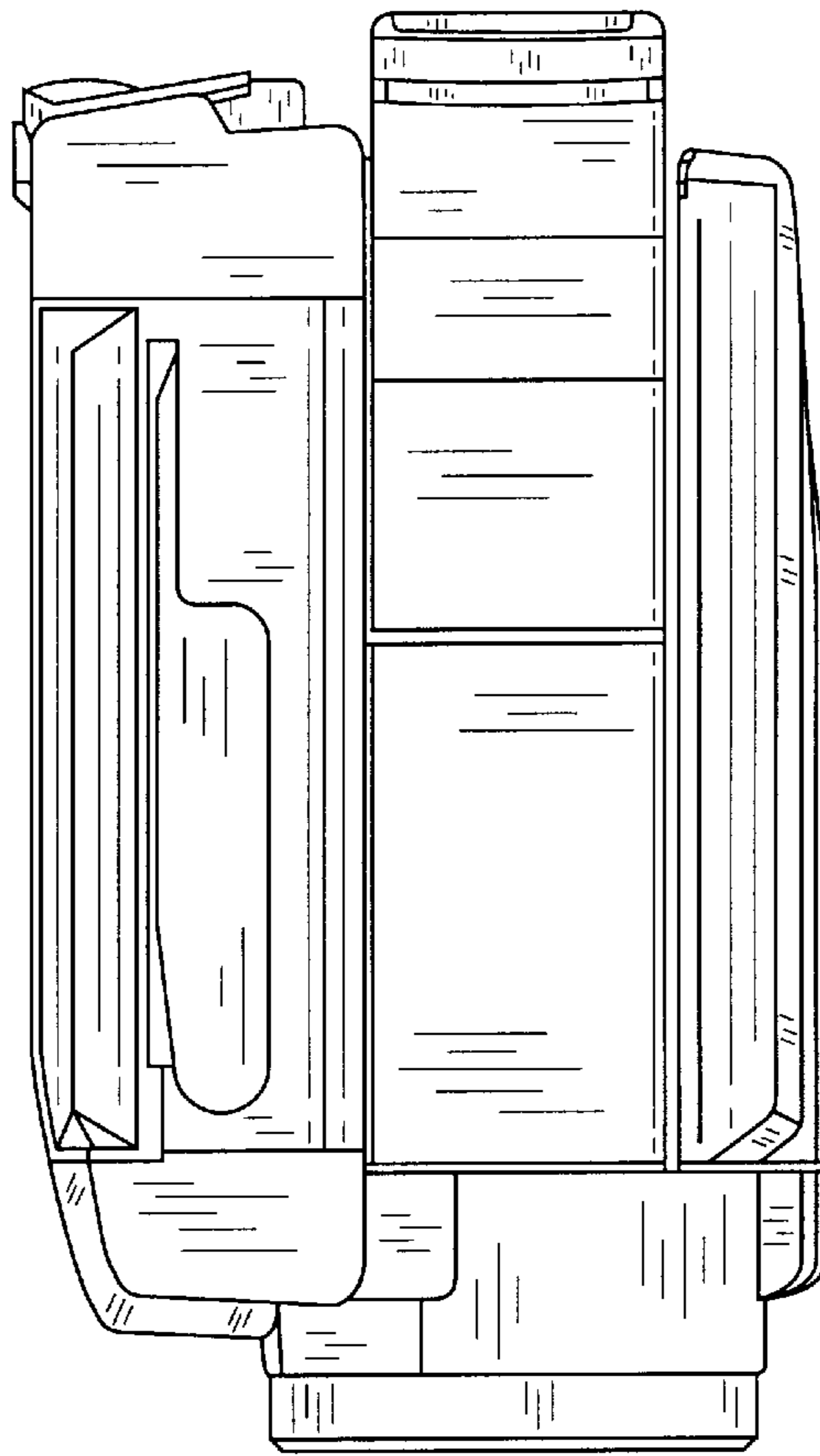
**FIG. 3**



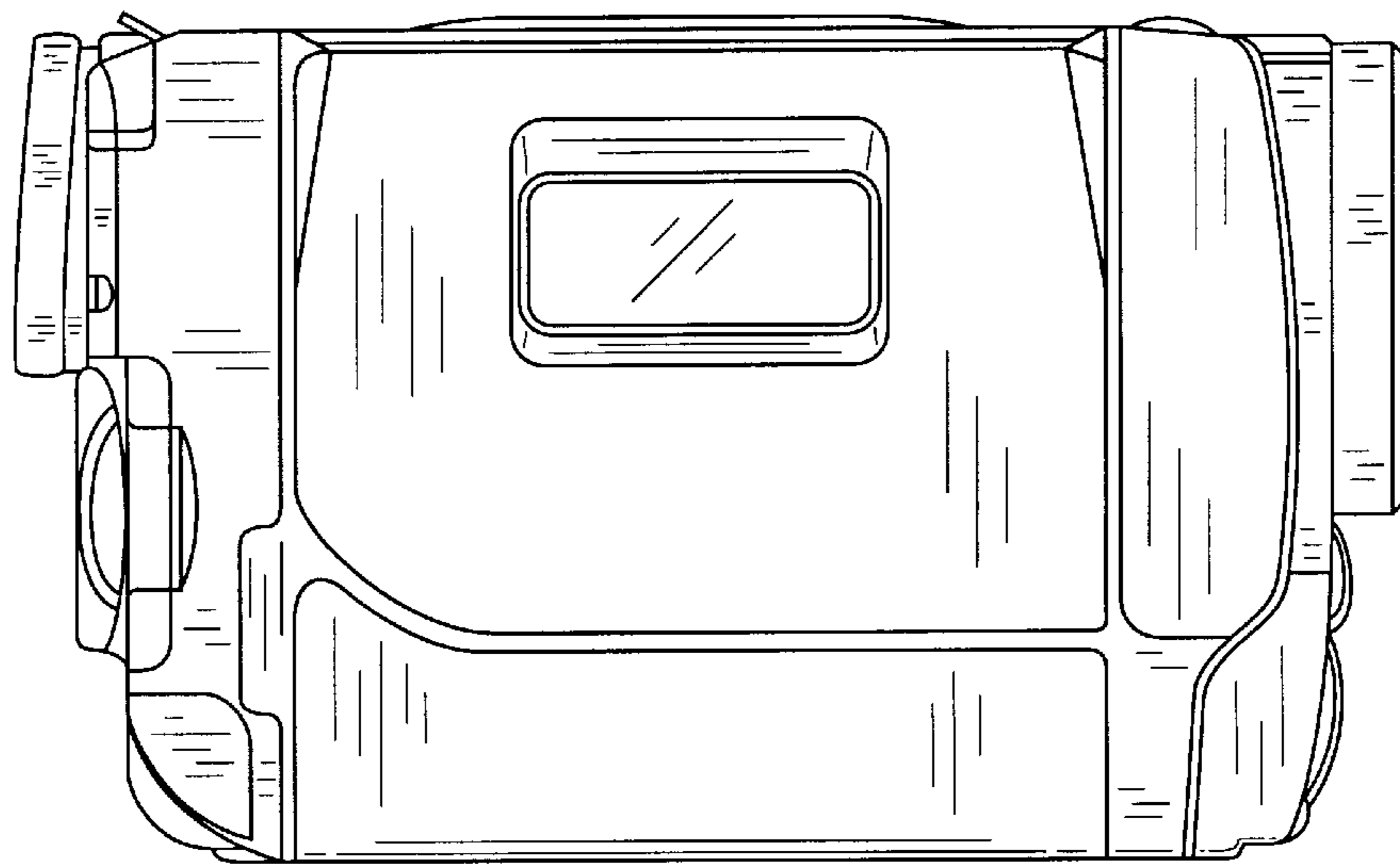
**FIG. 4**



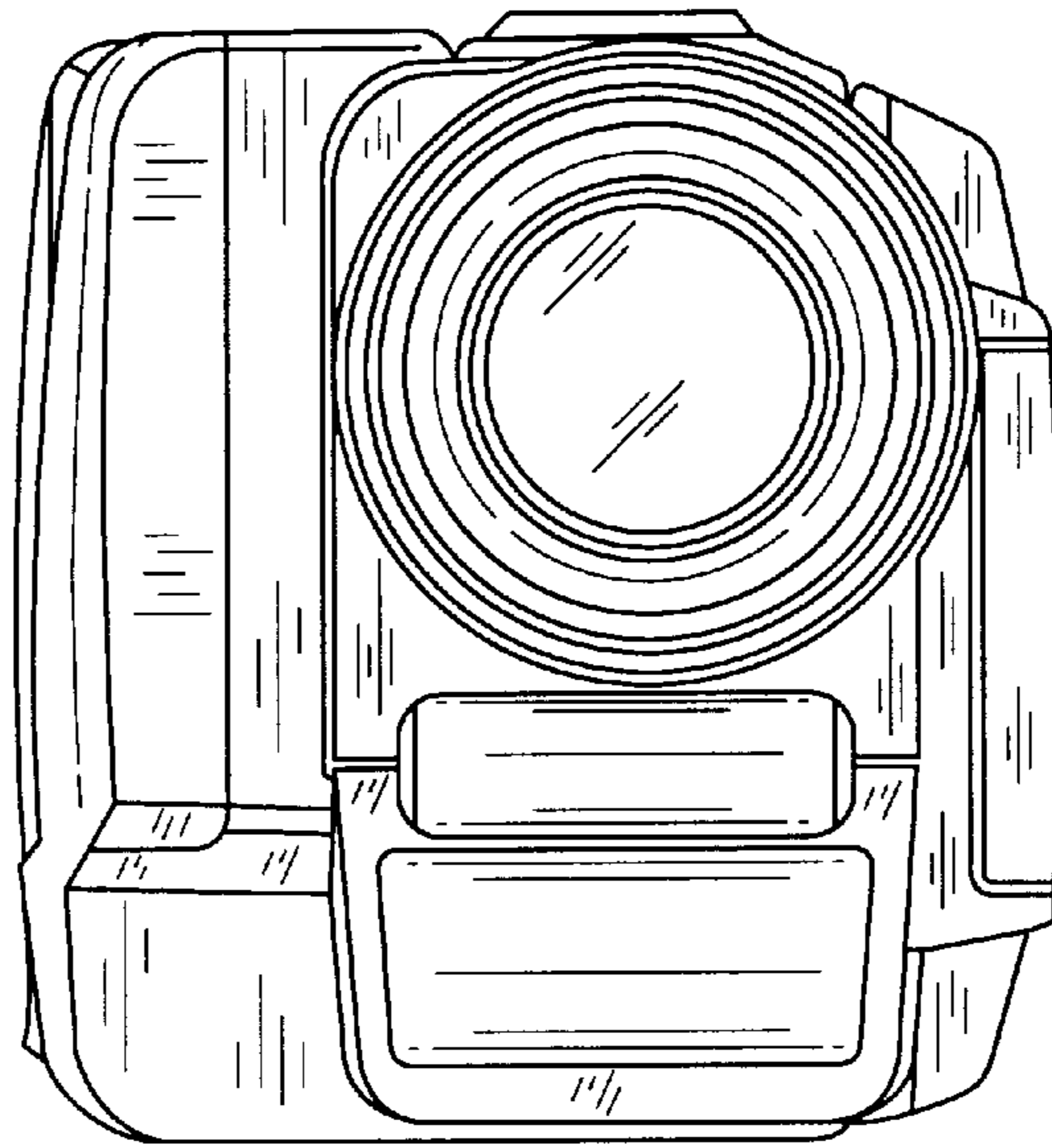
**FIG. 5**



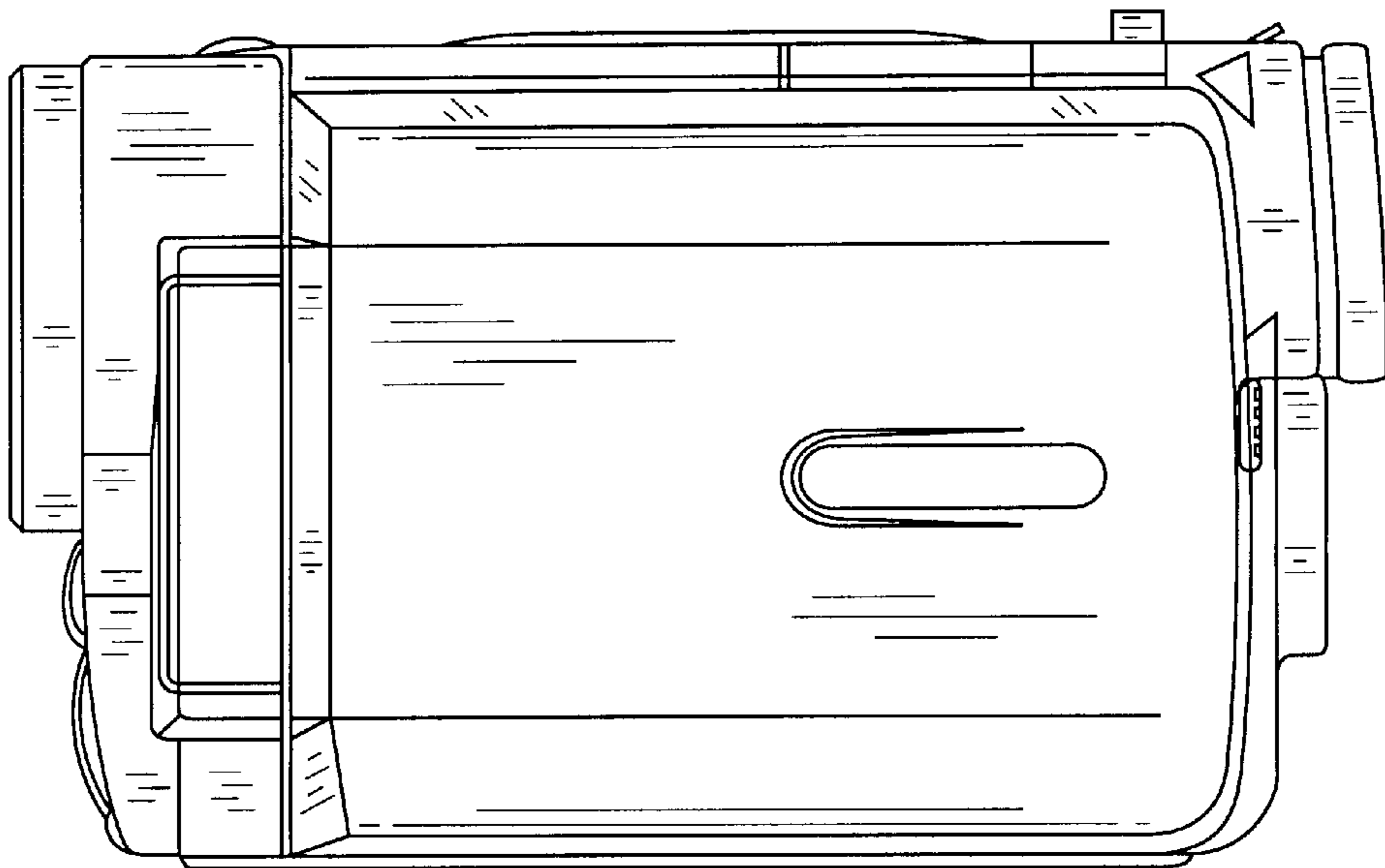
**FIG. 6**



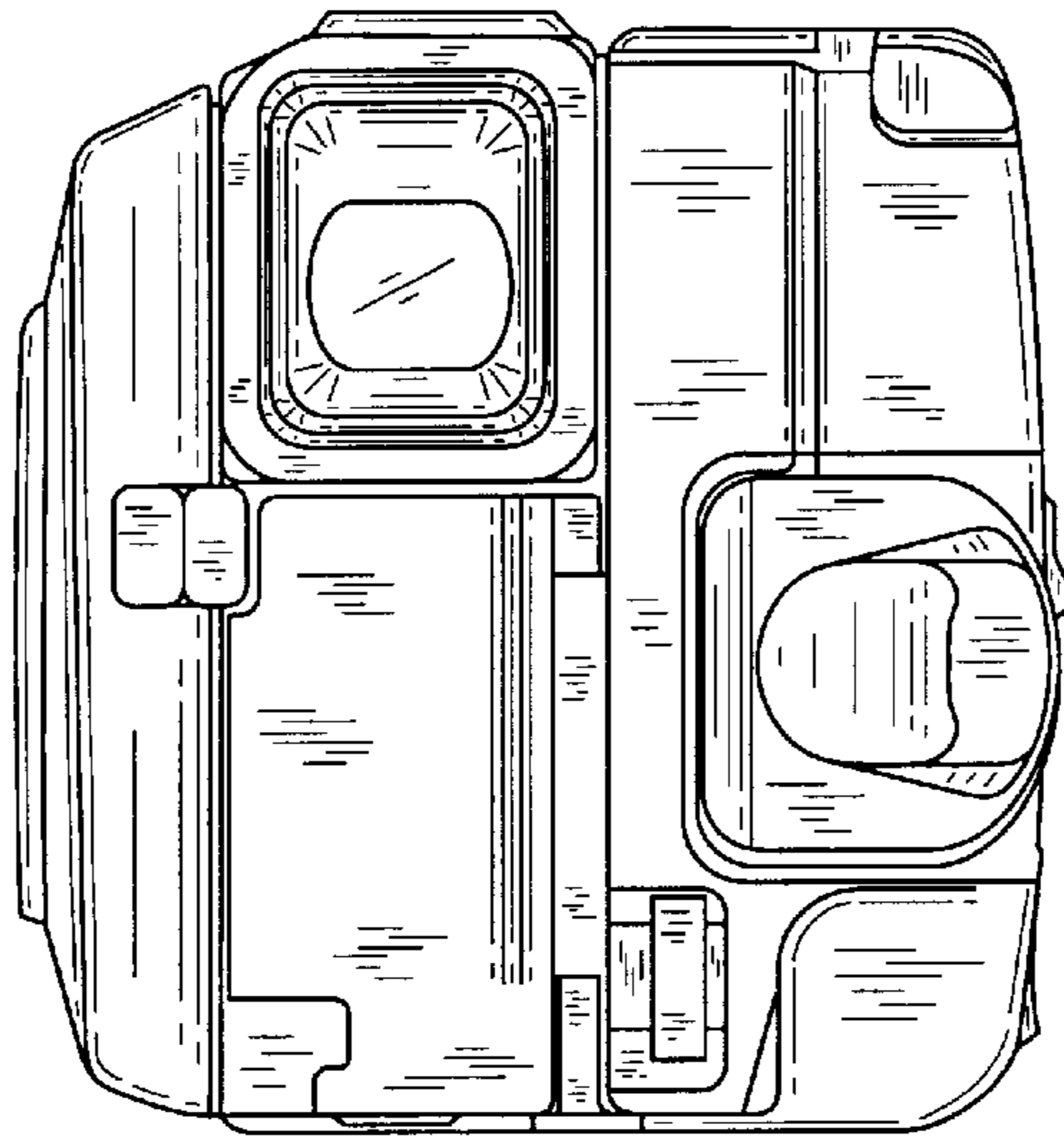
**FIG. 7**



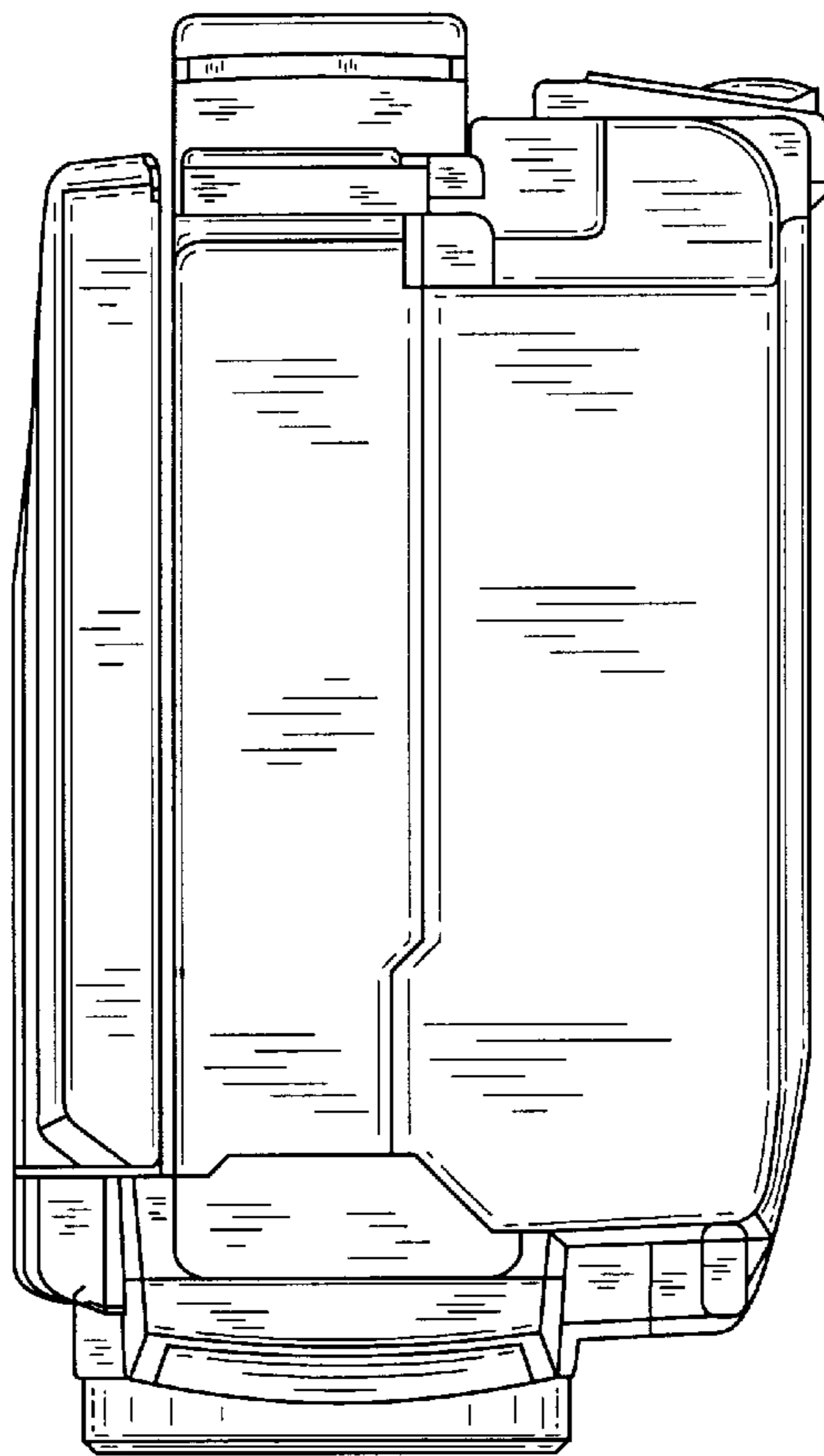
**FIG. 8**



**FIG. 9**



**FIG. 10**



**FIG. 11**