



US00D416928S

United States Patent [19]

Sumita

[11] Patent Number: **Des. 416,928**

[45] Date of Patent: **** Nov. 23, 1999**

[54] **COMBINED VIDEO TAPE RECORDER AND CAMERA**

D. 407,424 3/1999 Nakamura D16/202
5,499,052 3/1996 Nakanishi et al. 348/373

[75] Inventor: **Kaoru Sumita**, Tokyo, Japan

[73] Assignee: **Sony Corporation**, Tokyo, Japan

[**] Term: **14 Years**

[21] Appl. No.: **29/084,249**

[22] Filed: **Feb. 27, 1998**

[51] **LOC (6) Cl.** **16-01**

[52] **U.S. Cl.** **D16/202**

[58] **Field of Search** D16/200-208;
348/373-376; 352/242, 243; 358/906; 396/535-543

[56] **References Cited**

U.S. PATENT DOCUMENTS

D. 356,589	3/1995	Sumita	D16/202
D. 375,108	10/1996	Harata	D16/202
D. 380,764	7/1997	Ishii	D16/202
D. 381,995	8/1997	Sumita	D16/202
D. 400,900	11/1998	Harata	D16/202
D. 404,047	1/1999	Ishii	D16/202

OTHER PUBLICATIONS

Sony Catalog, "87", pp. 11-12, (Nov. 1997).

Primary Examiner—Adir Aronovich
Attorney, Agent, or Firm—Foley & Lardner

[57] **CLAIM**

The ornamental design for a combined video tape recorder and camera, as shown and described.

DESCRIPTION

FIG. 1 is a top, front and left side perspective view; FIG. 2 is a top plan view thereof; FIG. 3 is a front elevational view thereof; FIG. 4 is a right side elevational view thereof; FIG. 5 is a left side elevational view thereof; FIG. 6 is a rear elevational view thereof; and, FIG. 7 is a bottom plan view thereof; and, FIG. 8 is a top, front and left perspective view thereof, wherein the lid portion is in an open position.

1 Claim, 5 Drawing Sheets

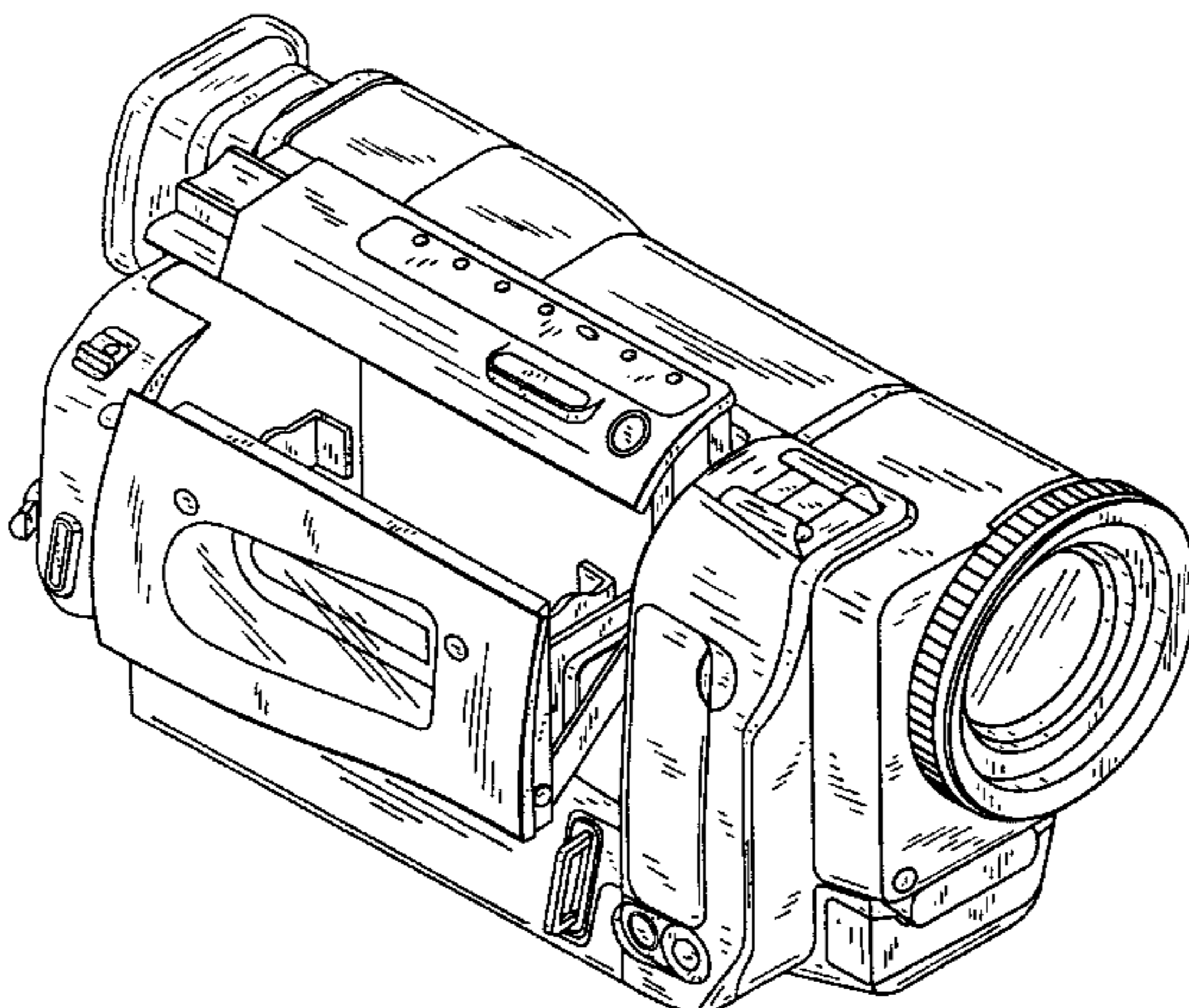
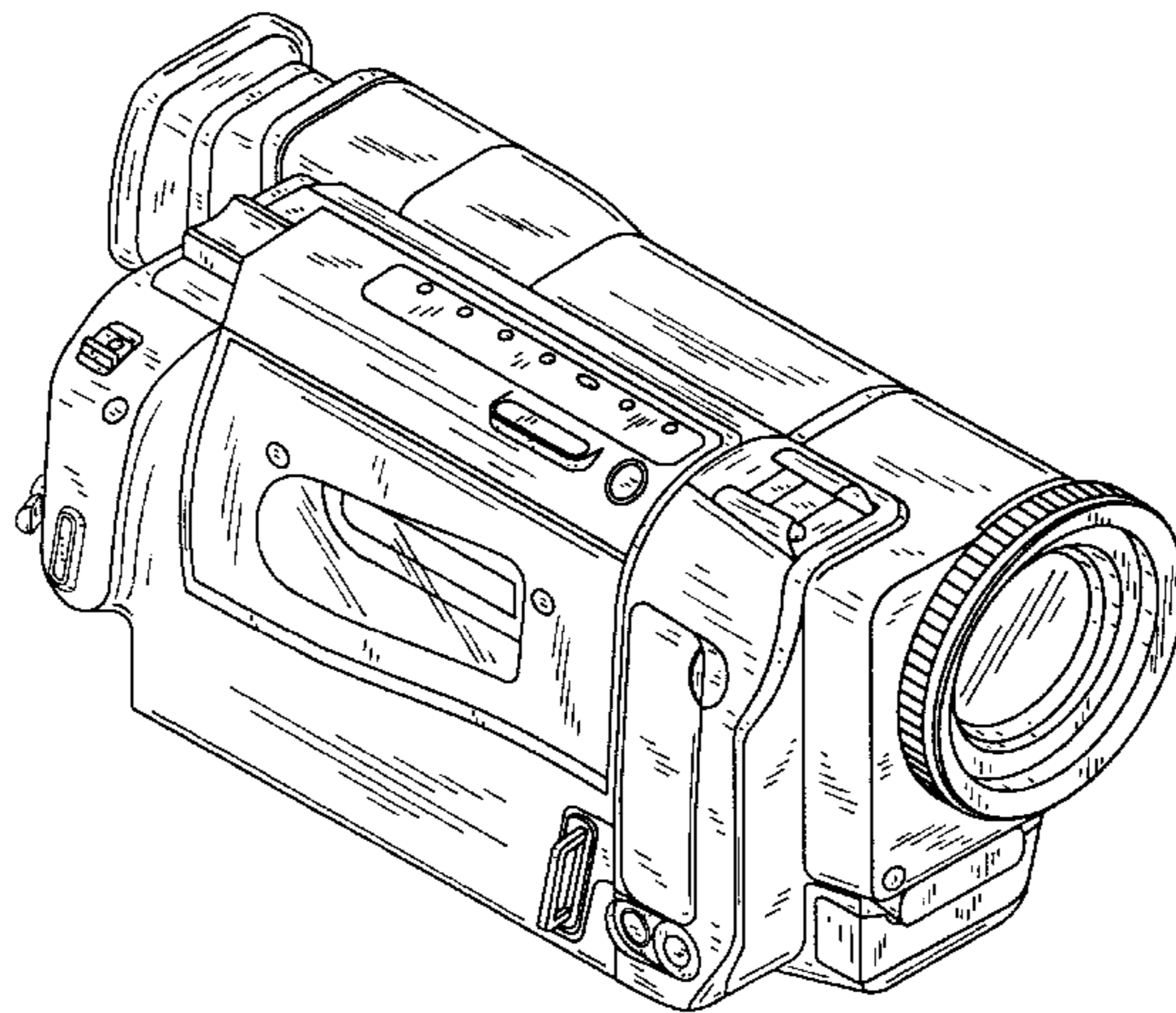


FIG. 1

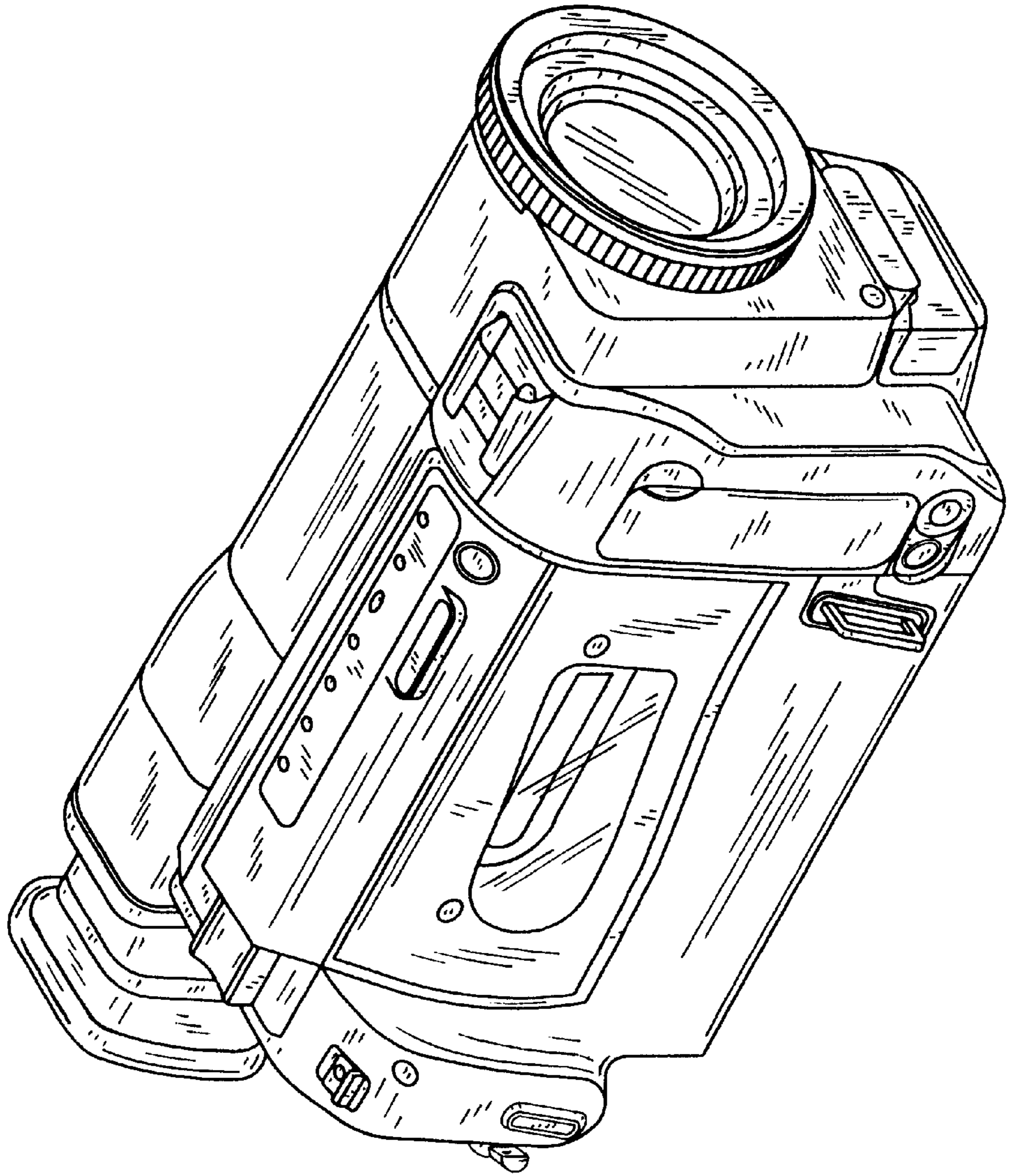


FIG. 2

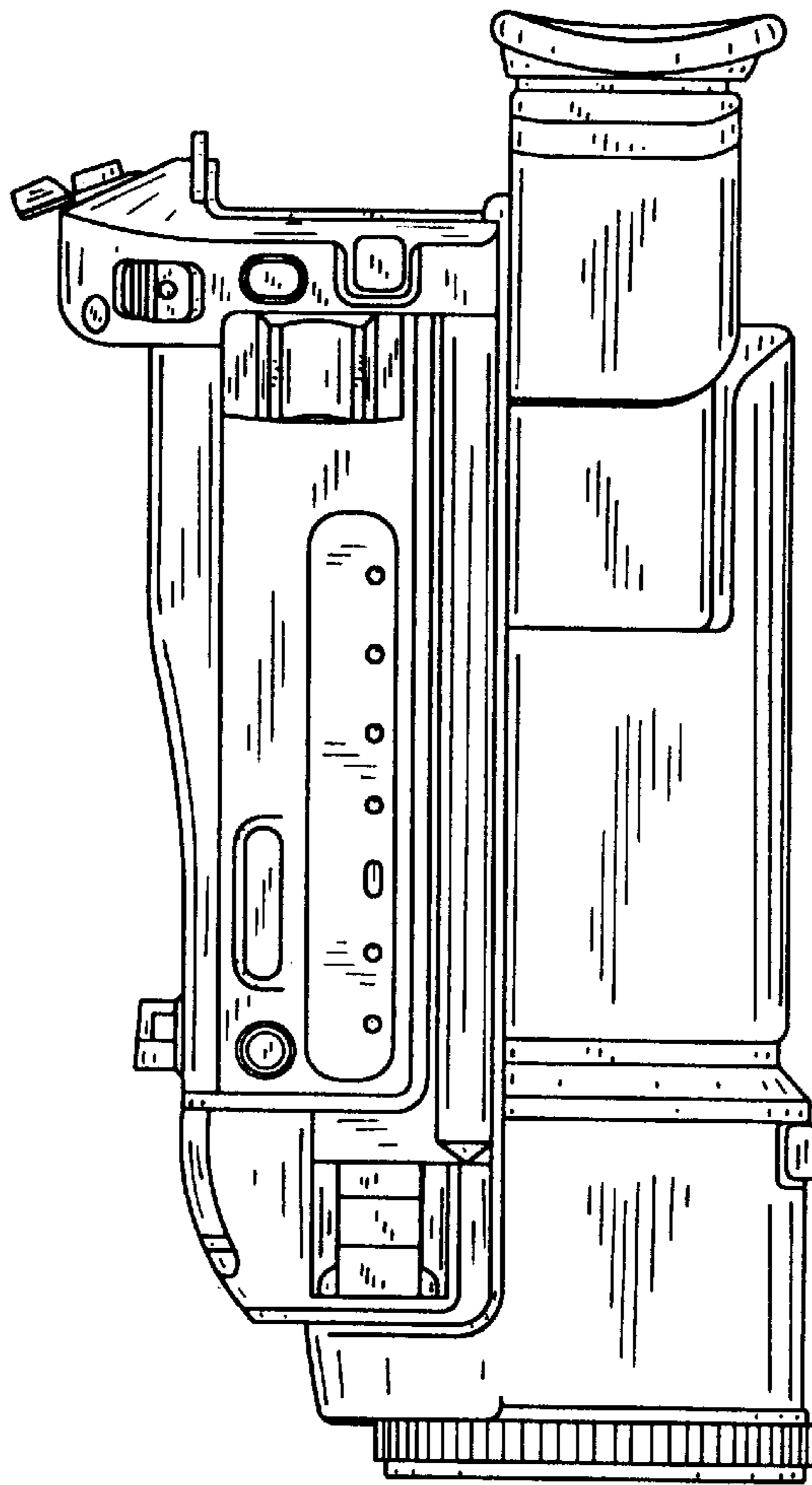


FIG. 5

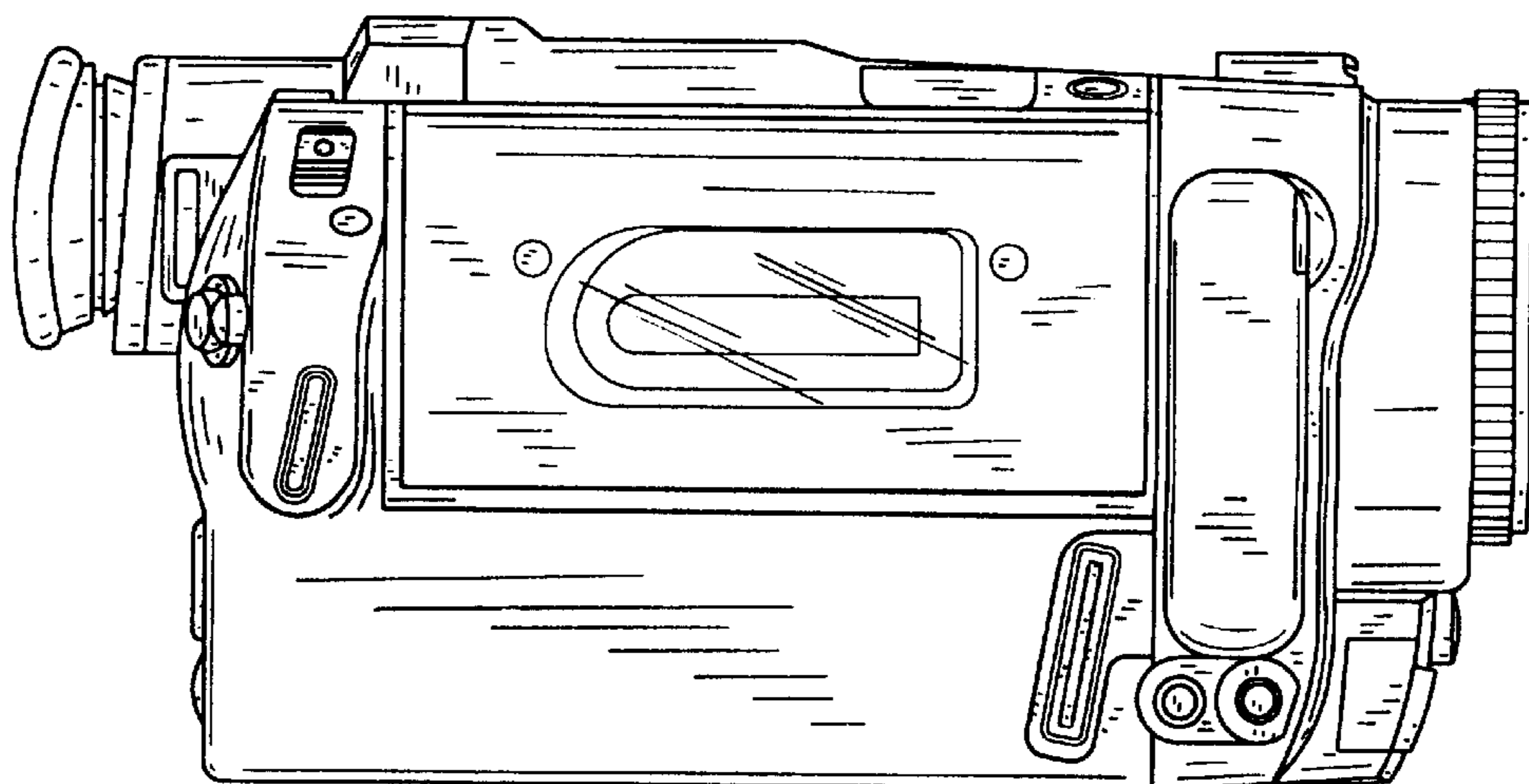


FIG. 3

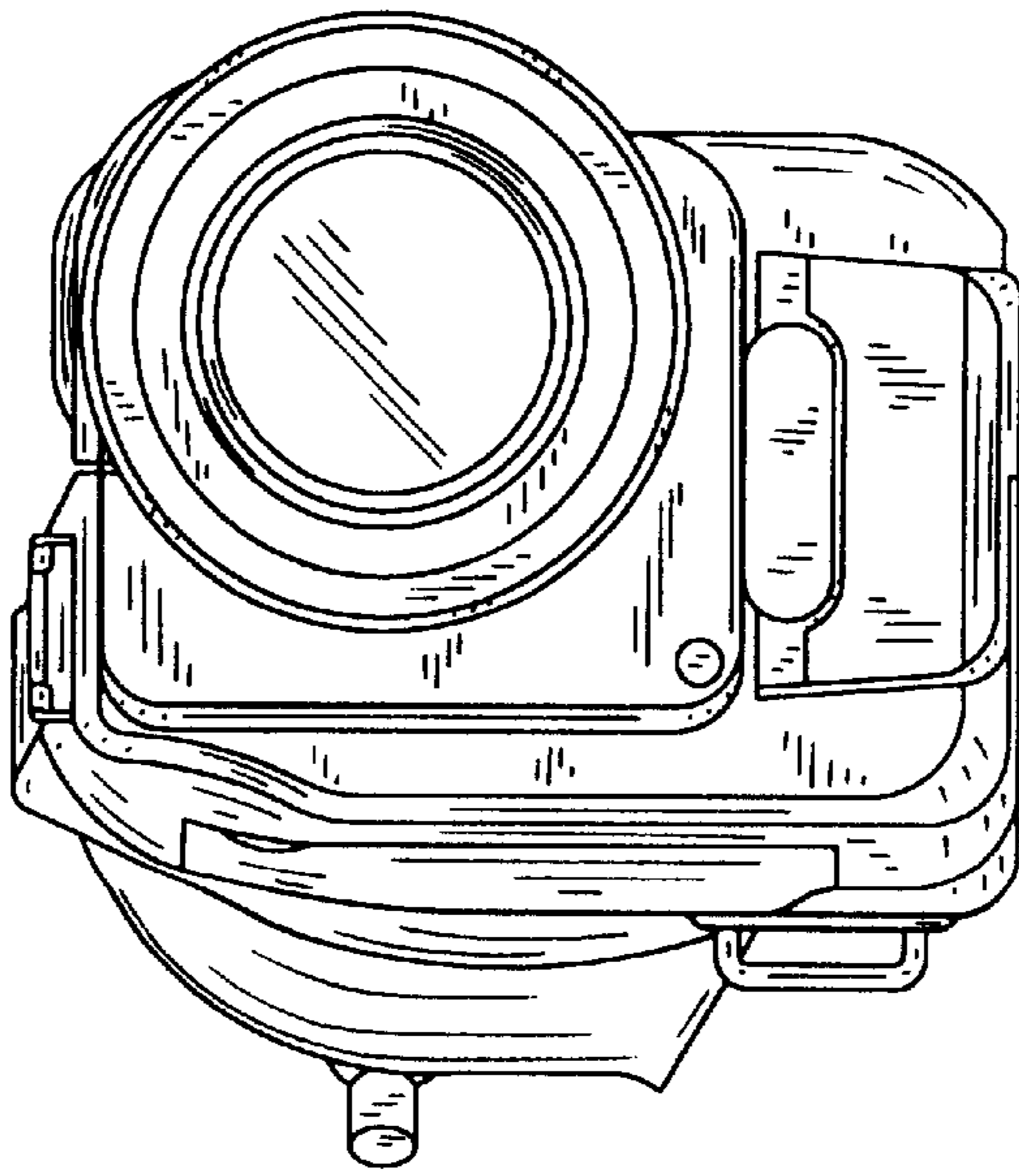


FIG. 6

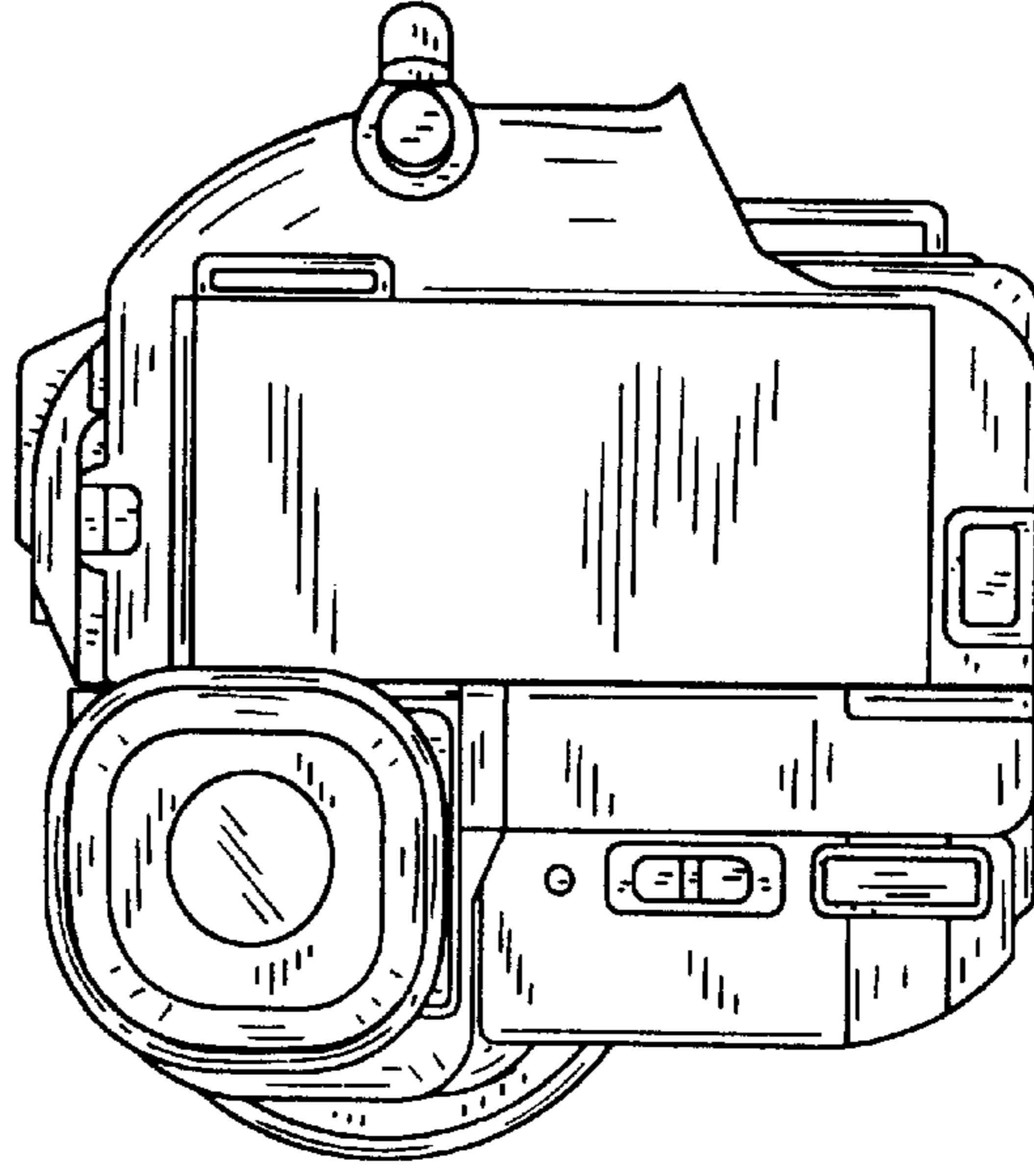


FIG. 4

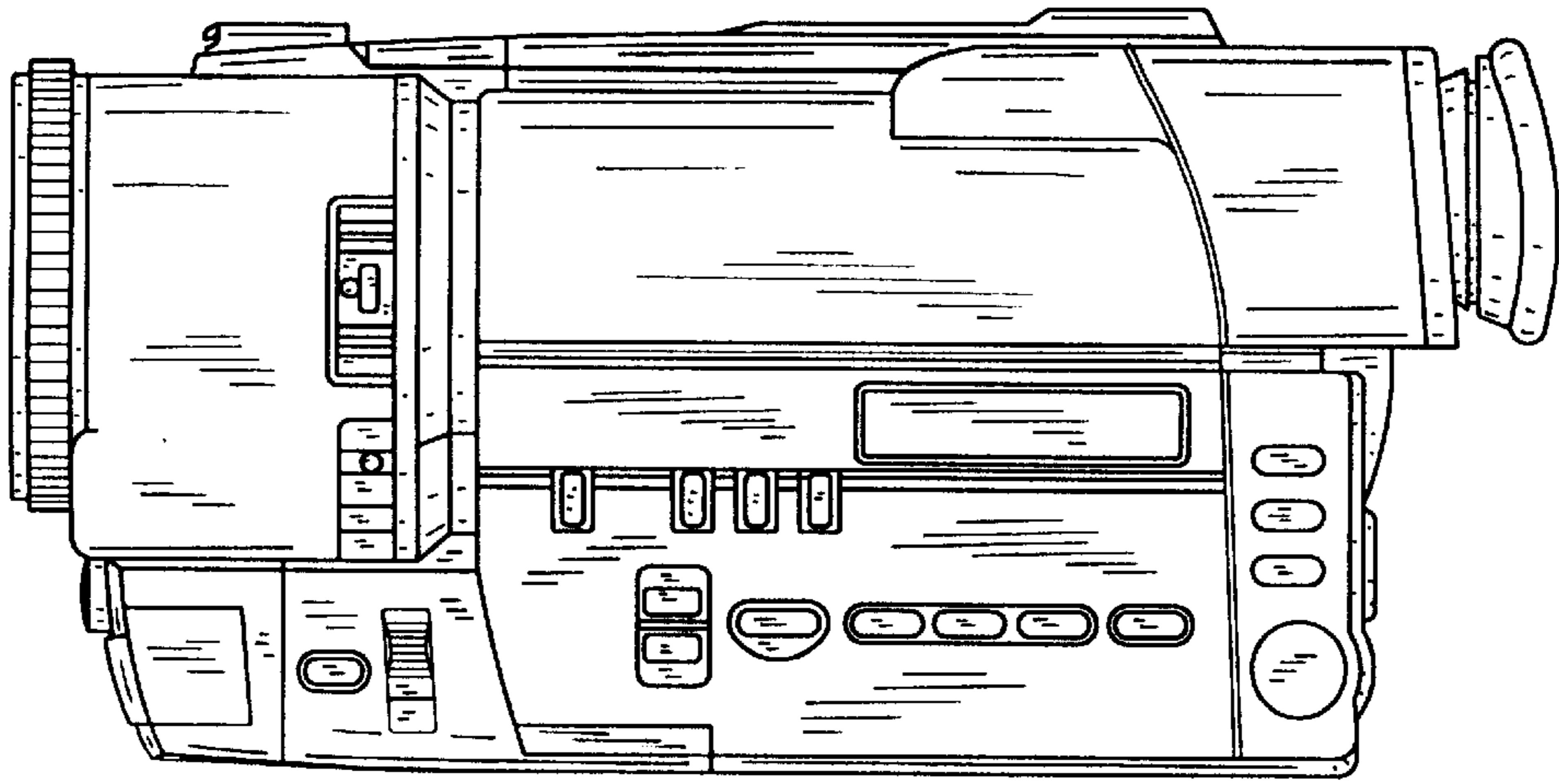


FIG. 7

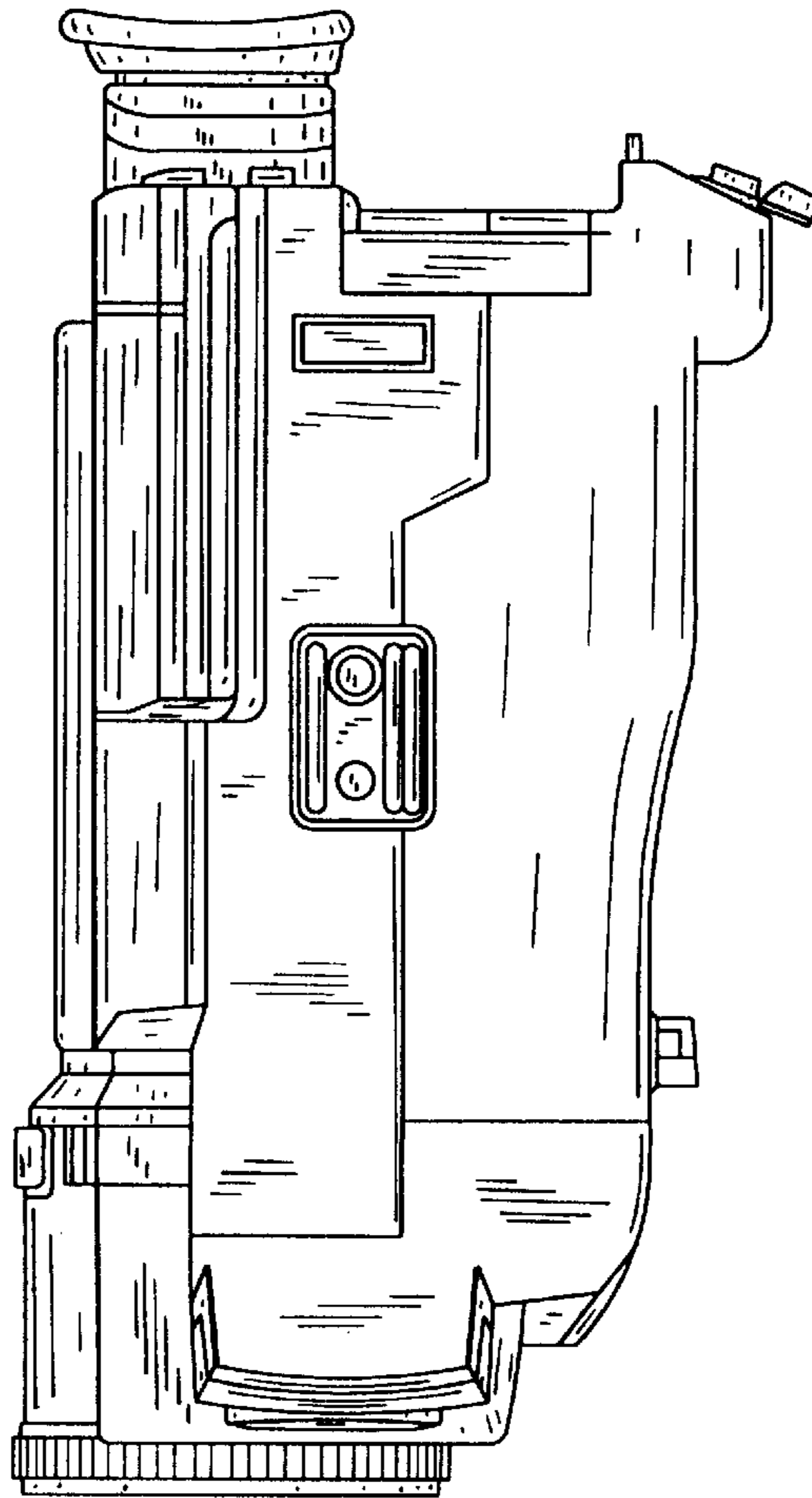


FIG. 8

