



US00D416927S

United States Patent [19] Jim

[11] Patent Number: **Des. 416,927**

[45] Date of Patent: **** Nov. 23, 1999**

[54] **MAGNIFYING GLASS**

[75] Inventor: **Frankie S.F. Jim**, Hong Kong, The Hong Kong Special Administrative Region of the People's Republic of China

[73] Assignee: **Concavex Plastic Works Limited**, Kowloon, The Hong Kong Special Administrative Region of the People's Republic of China

[**] Term: **14 Years**

[21] Appl. No.: **29/097,413**

[22] Filed: **Dec. 7, 1998**

[51] **LOC (6) Cl.** **16-06**

[52] **U.S. Cl.** **D16/135**

[58] **Field of Search** D16/130, 135;
359/802, 803, 804, 805, 808, 809, 810,
811, 742

[56] **References Cited**

U.S. PATENT DOCUMENTS

- D. 196,452 10/1963 Burlin et al. D16/135
- D. 199,589 11/1964 Hoogestegor et al. D16/135
- D. 217,506 5/1970 Knoetgen D16/135

- D. 248,401 7/1978 Del Pesco, Sr. D16/135
- D. 269,275 6/1983 Tweedie D16/135
- D. 298,634 11/1988 Yuen D16/135
- D. 372,746 8/1996 Mathews D16/135
- 1,547,142 7/1925 Bausch 359/808 X
- 2,682,805 7/1954 Tomasovic D16/135
- 3,409,347 11/1968 Vogel 359/742 X
- 4,763,986 8/1988 Sego 359/798

Primary Examiner—Paula A. Mortimer
Attorney, Agent, or Firm—Smith, Gambrell & Russell, LLP;
Beveridge, DeGrandi, Weilacher & Young Intellectual
Property Group

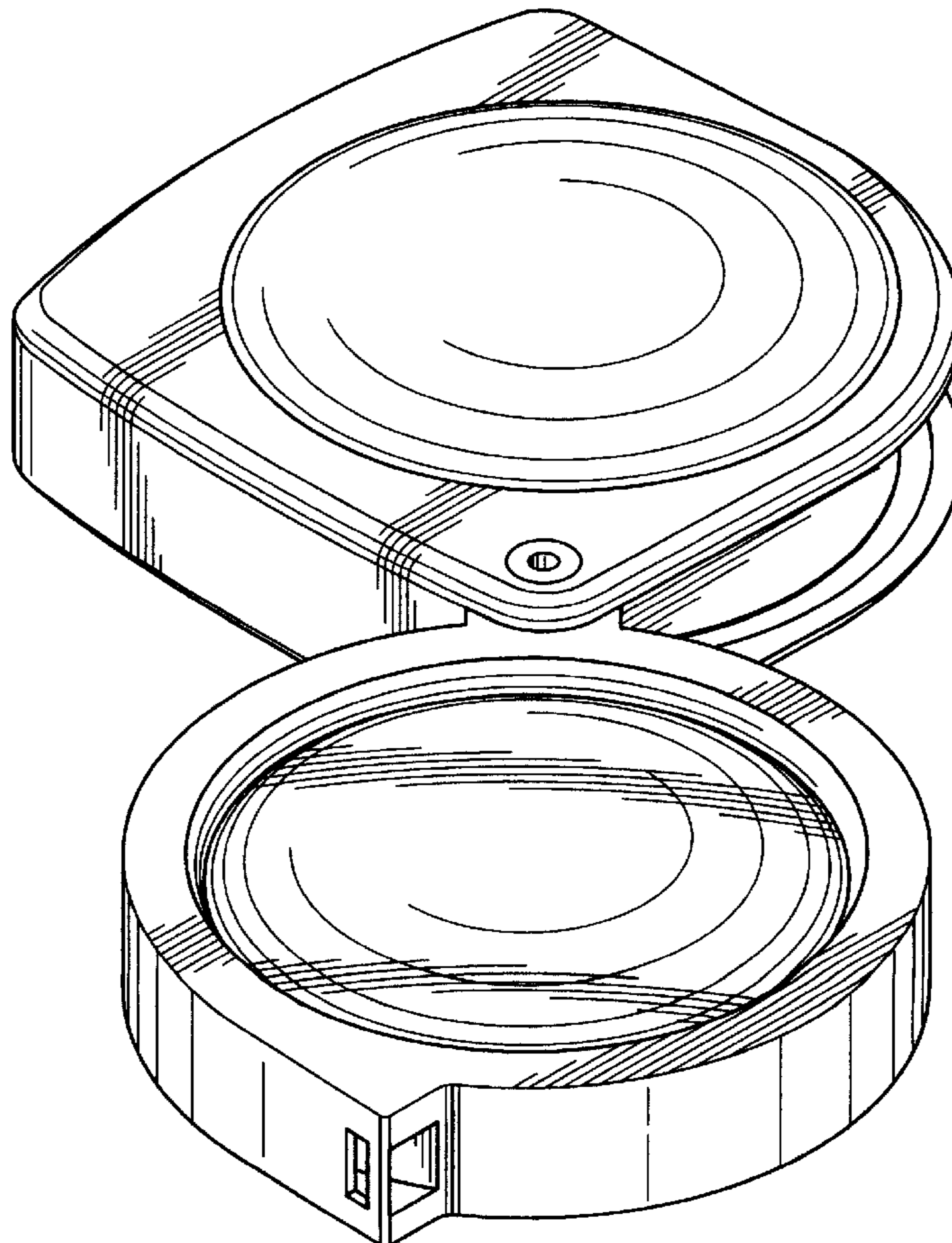
[57] **CLAIM**

The ornamental design for a magnifying glass, as shown and described.

DESCRIPTION

FIG. 1 is a perspective view of a magnifying glass showing my new design;
FIG. 2 is a front perspective view in opened position;
FIG. 3 is a front view of FIG. 1;
FIG. 4 is a rear view of FIG. 1;
FIG. 5 is a left side view of FIG. 1;
FIG. 6 is a right side view of FIG. 1;
FIG. 7 is a top plan view of FIG. 1; and,
FIG. 8 is a bottom plan view of FIG. 1.

1 Claim, 2 Drawing Sheets



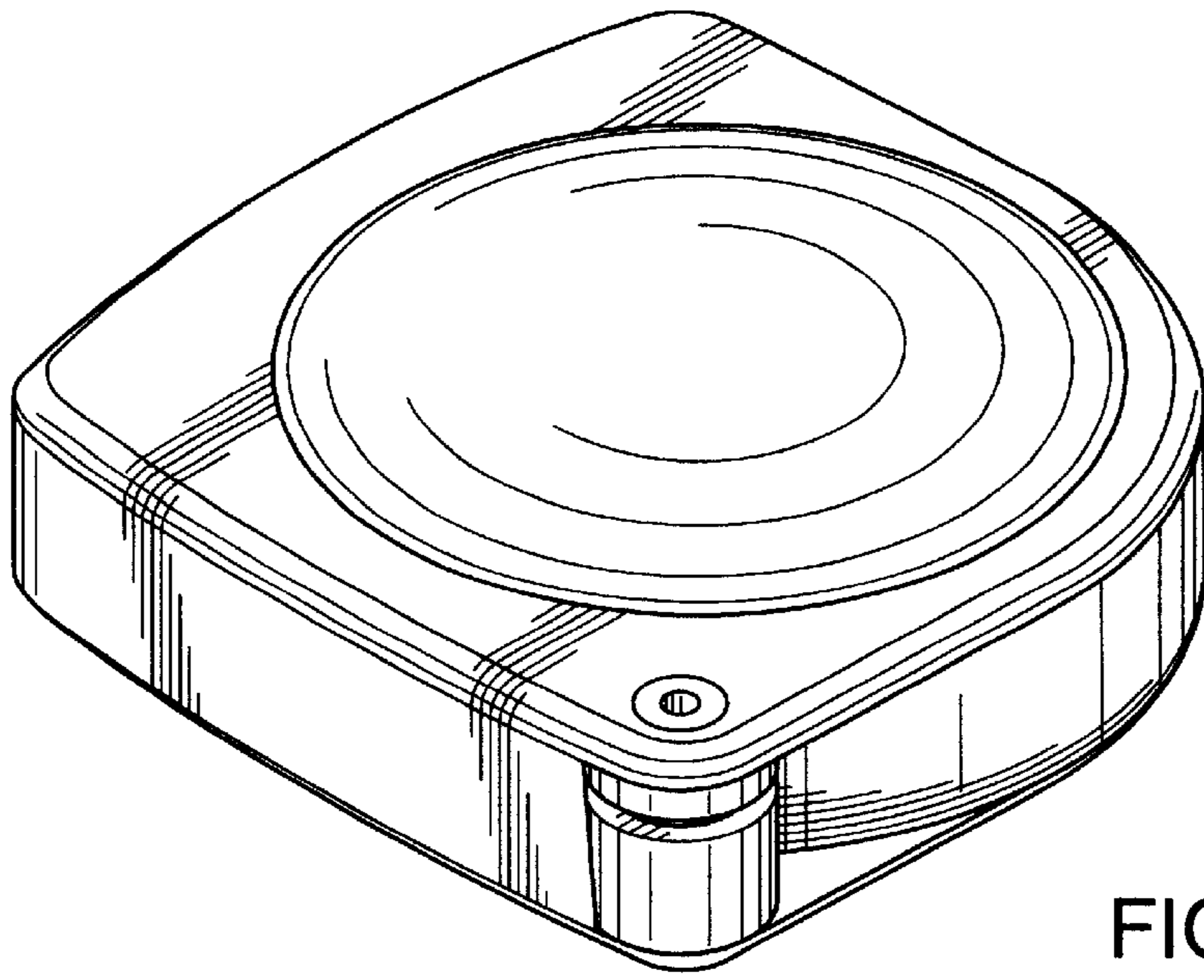


FIG. 1

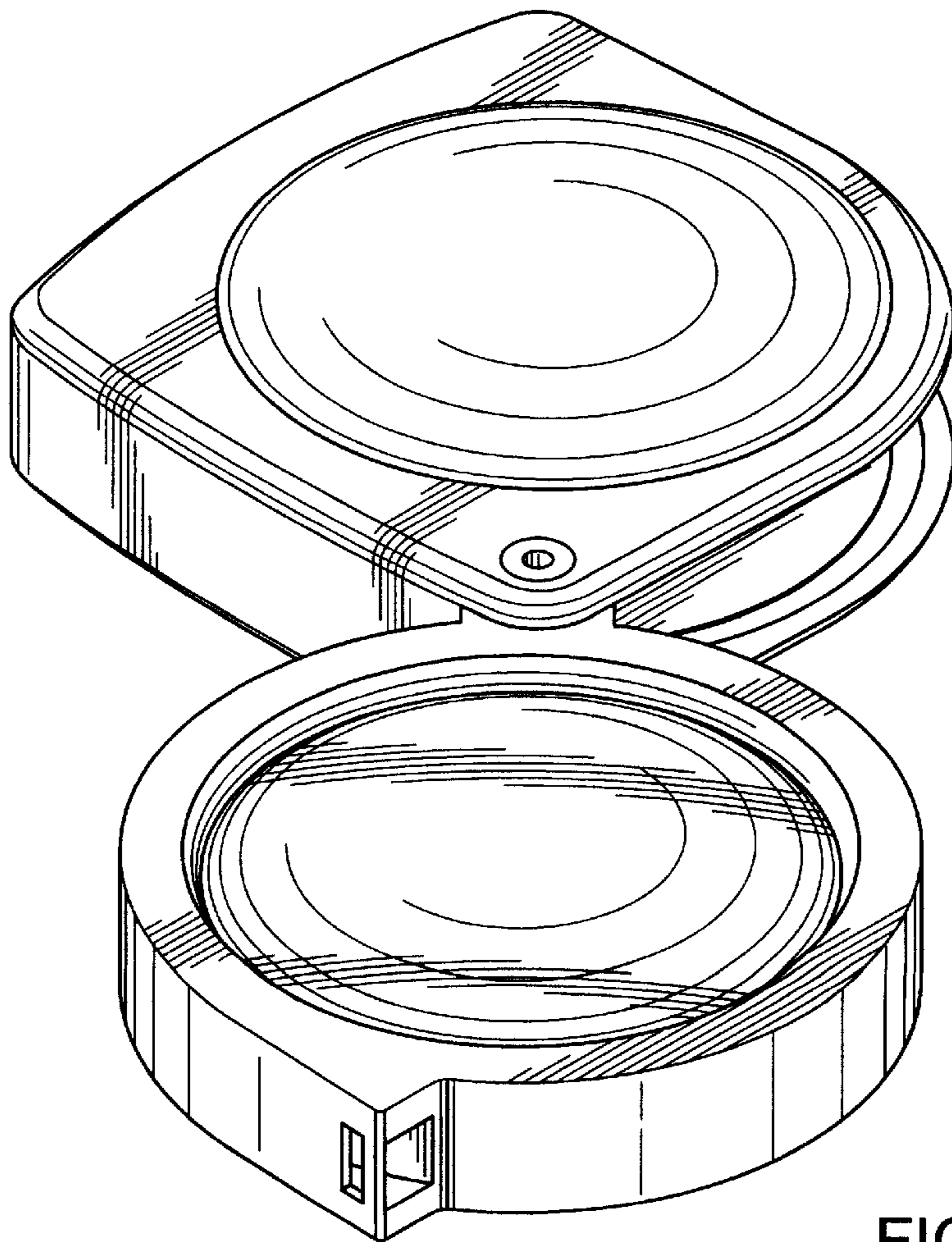


FIG. 2

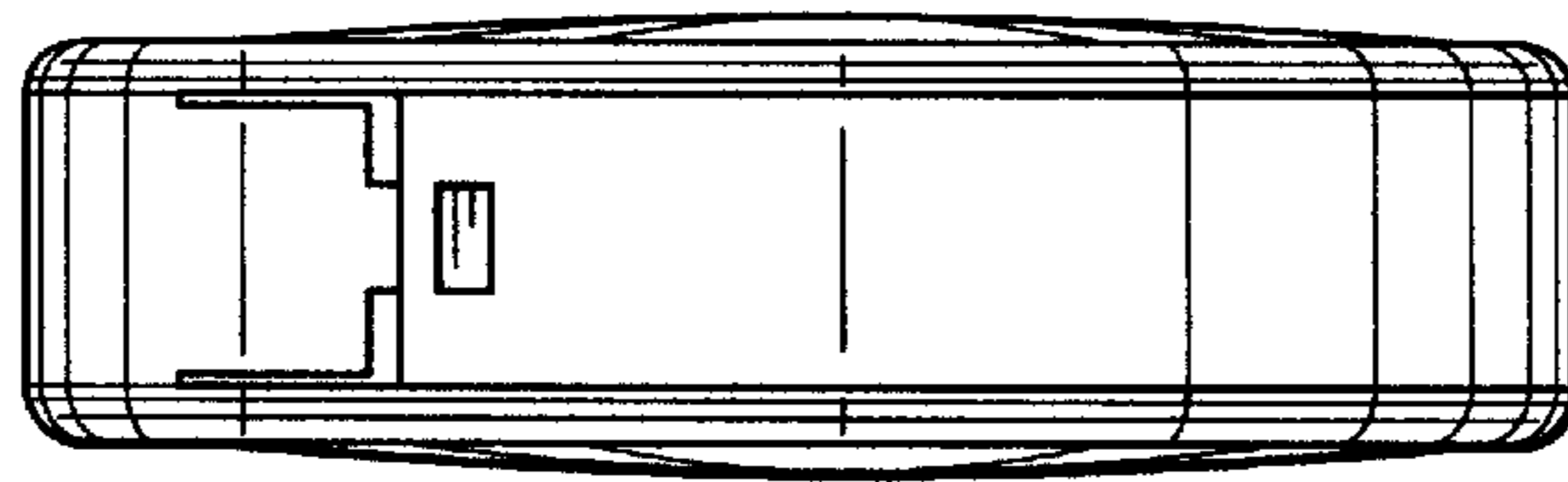


FIG. 7

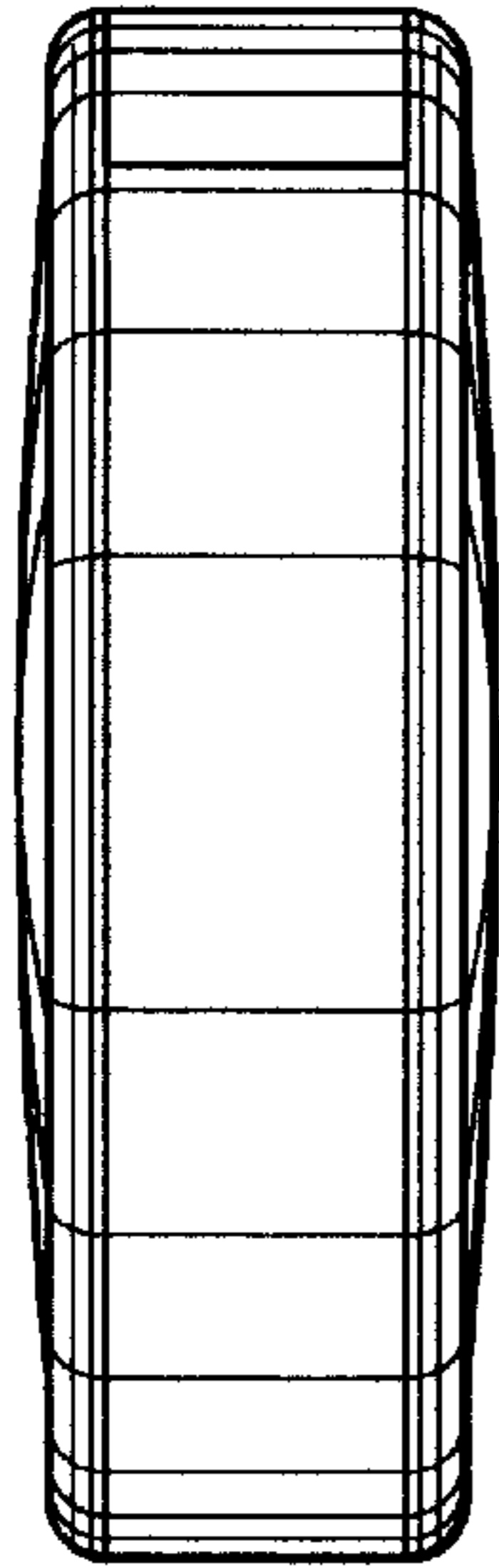


FIG. 5

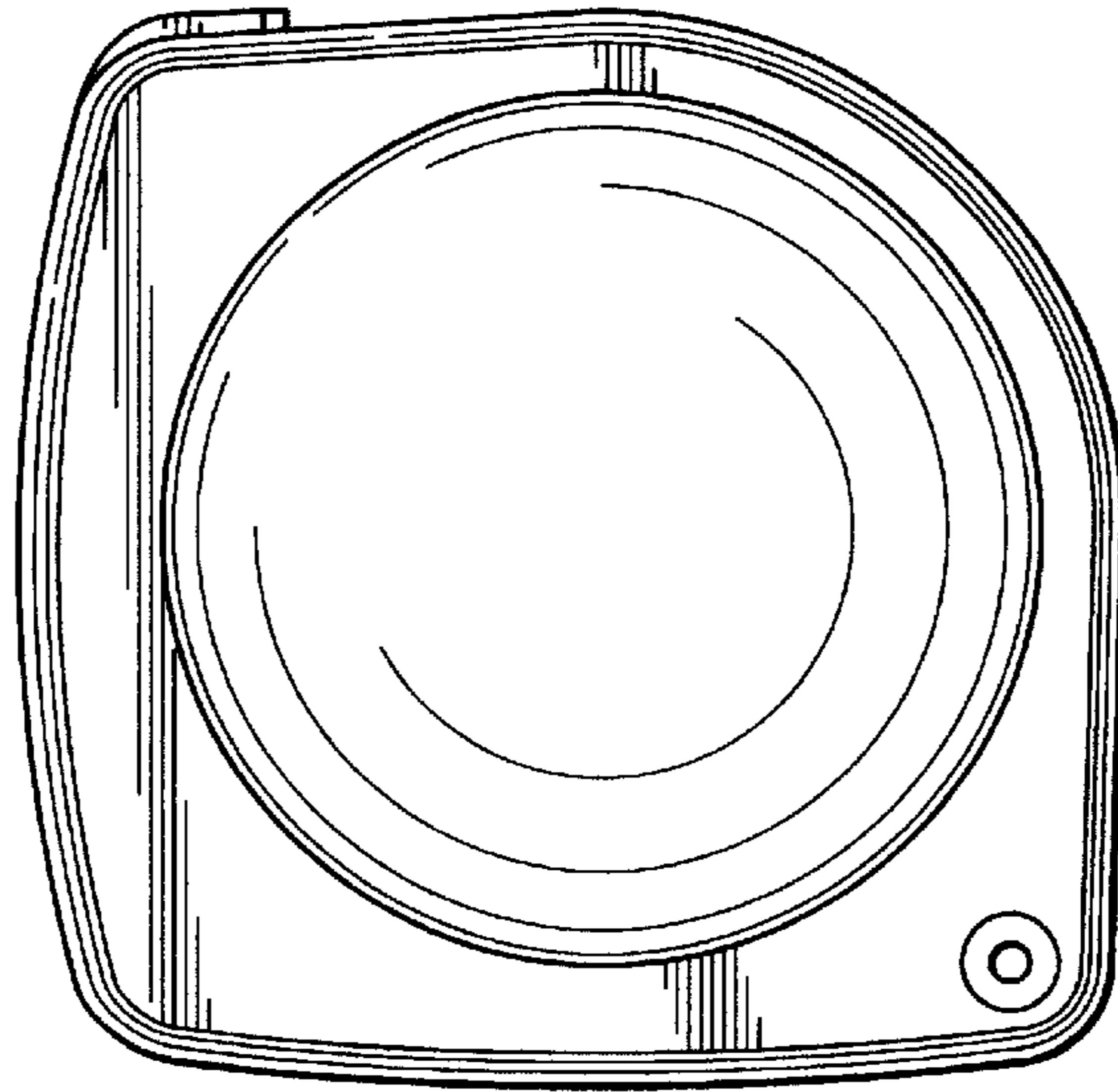


FIG. 3

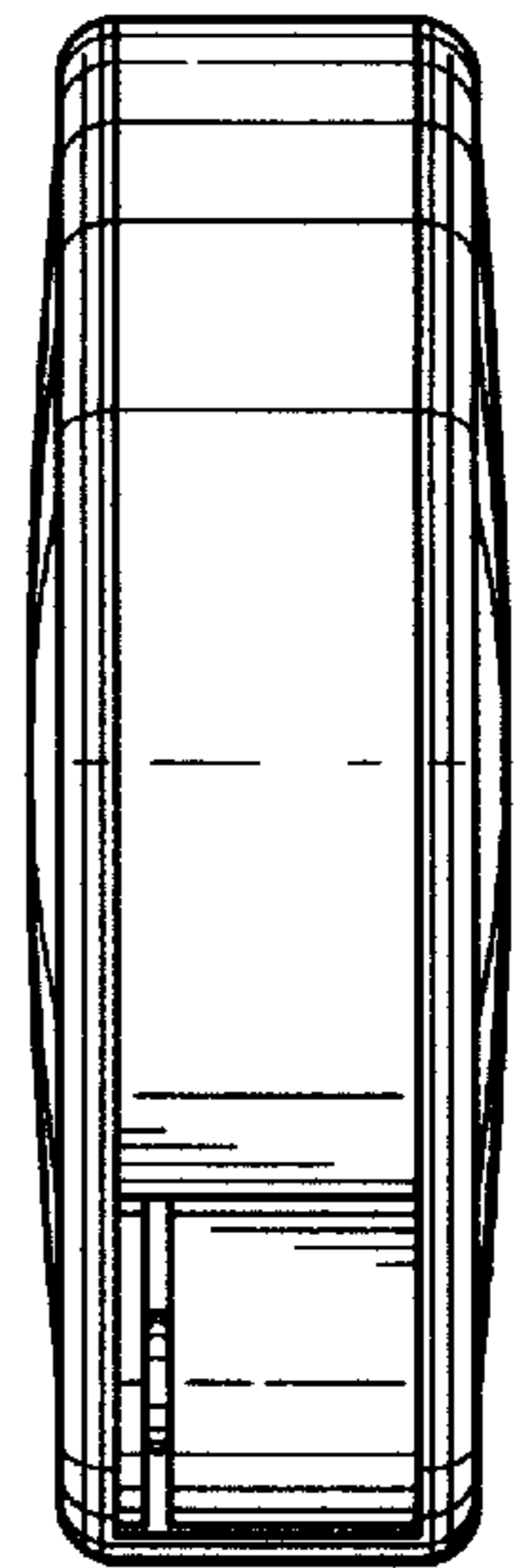


FIG. 6

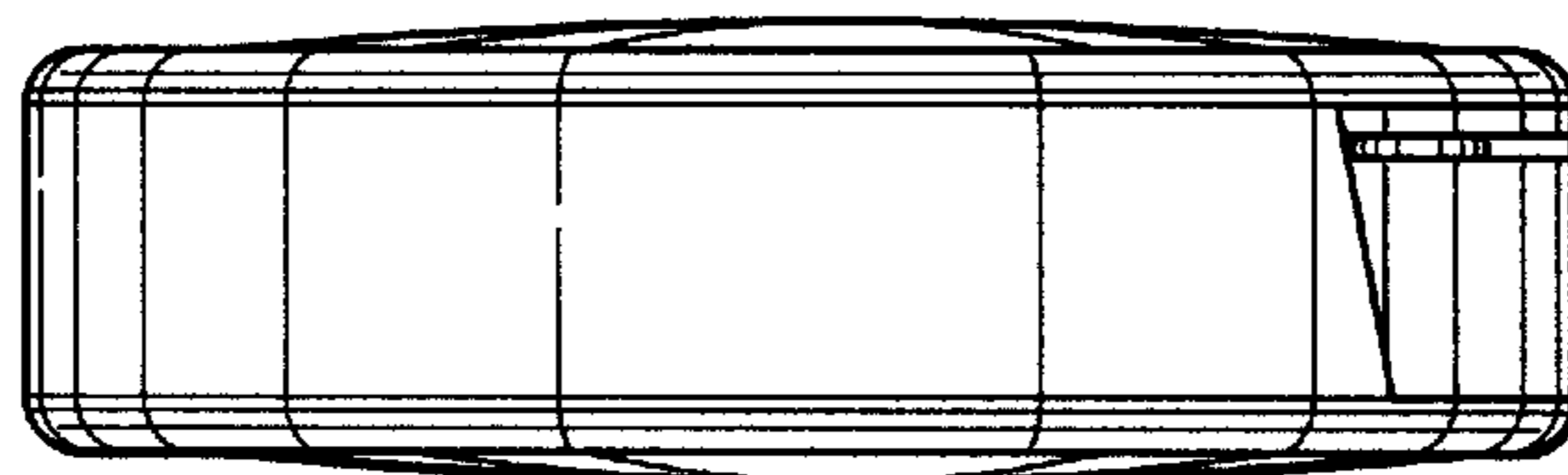


FIG. 8

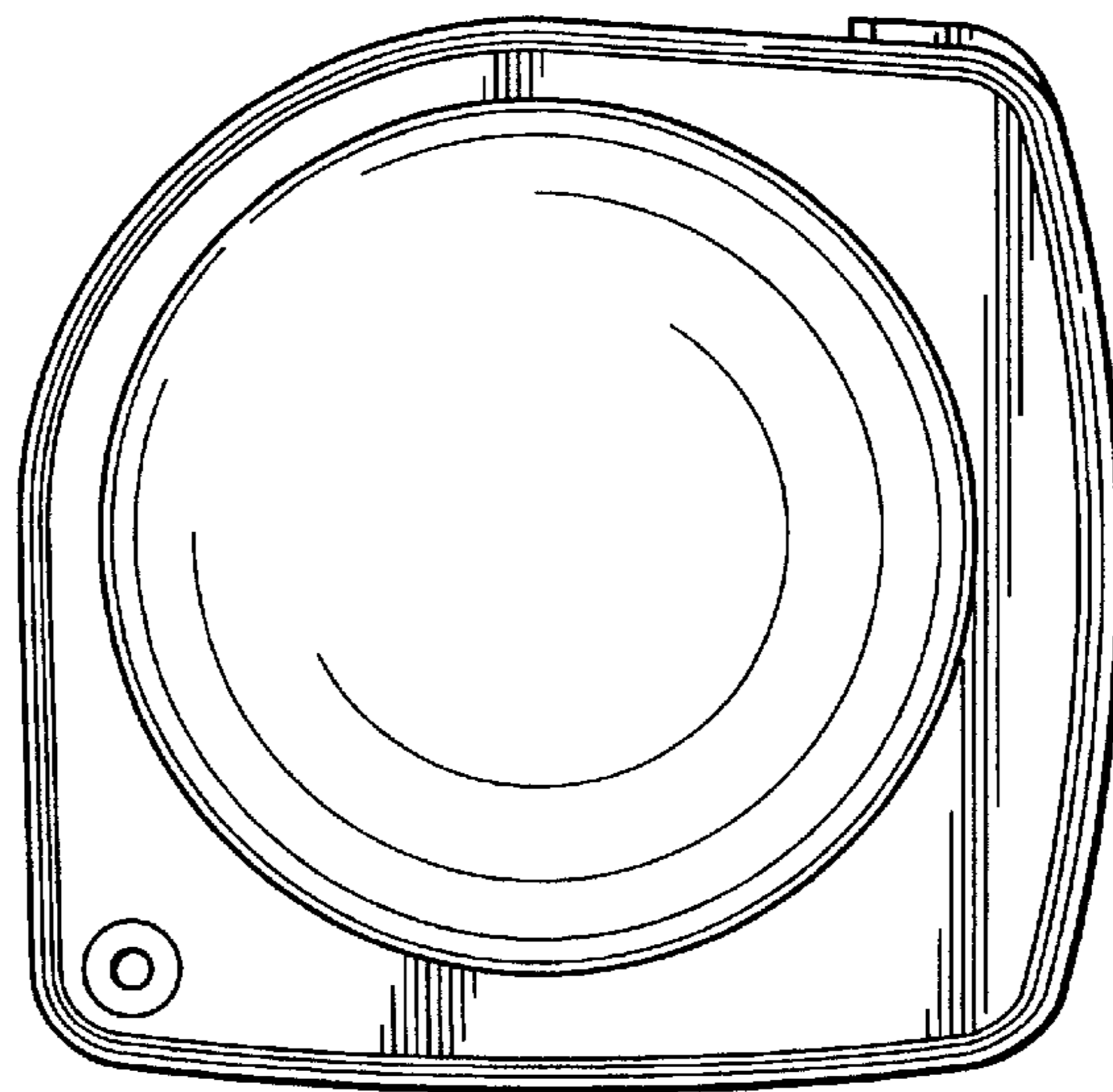


FIG. 4