



US00D416926S

# United States Patent [19] Watanabe

[11] **Patent Number: Des. 416,926**  
[45] **Date of Patent: \*\* Nov. 23, 1999**

[54] **LENS FOR SINGLE-LENS REFLEX CAMERA**

D. 338,479 8/1993 Takahashi ..... D16/134  
D. 398,315 9/1998 Miyamoto ..... D16/219  
4,923,281 5/1990 Krichever et al. .... 359/826

[75] Inventor: **Akira Watanabe**, Saitama, Japan

[73] Assignee: **Asahi Kogaku Kogyo Kabushiki Kaisha**, Tokyo, Japan

[\*\*] Term: **14 Years**

*Primary Examiner*—Adir Aronovich  
*Attorney, Agent, or Firm*—Sughrue, Mion, Zinn, Macpeak & Seas, PLLC

[21] Appl. No.: **29/101,153**

[22] Filed: **Feb. 25, 1999**

### [57] CLAIM

The ornamental design for a lens for single-lens reflex camera, as shown.

### [30] Foreign Application Priority Data

Sep. 8, 1998 [JP] Japan ..... 10-25610

### DESCRIPTION

[51] **LOC (6) Cl.** ..... **16-06**

[52] **U.S. Cl.** ..... **D16/134; D16/219**

[58] **Field of Search** ..... D16/134, 136,  
D16/216-219, 237; 359/703, 704, 815,  
819, 827, 828, 826; 396/529-531, 544,  
354

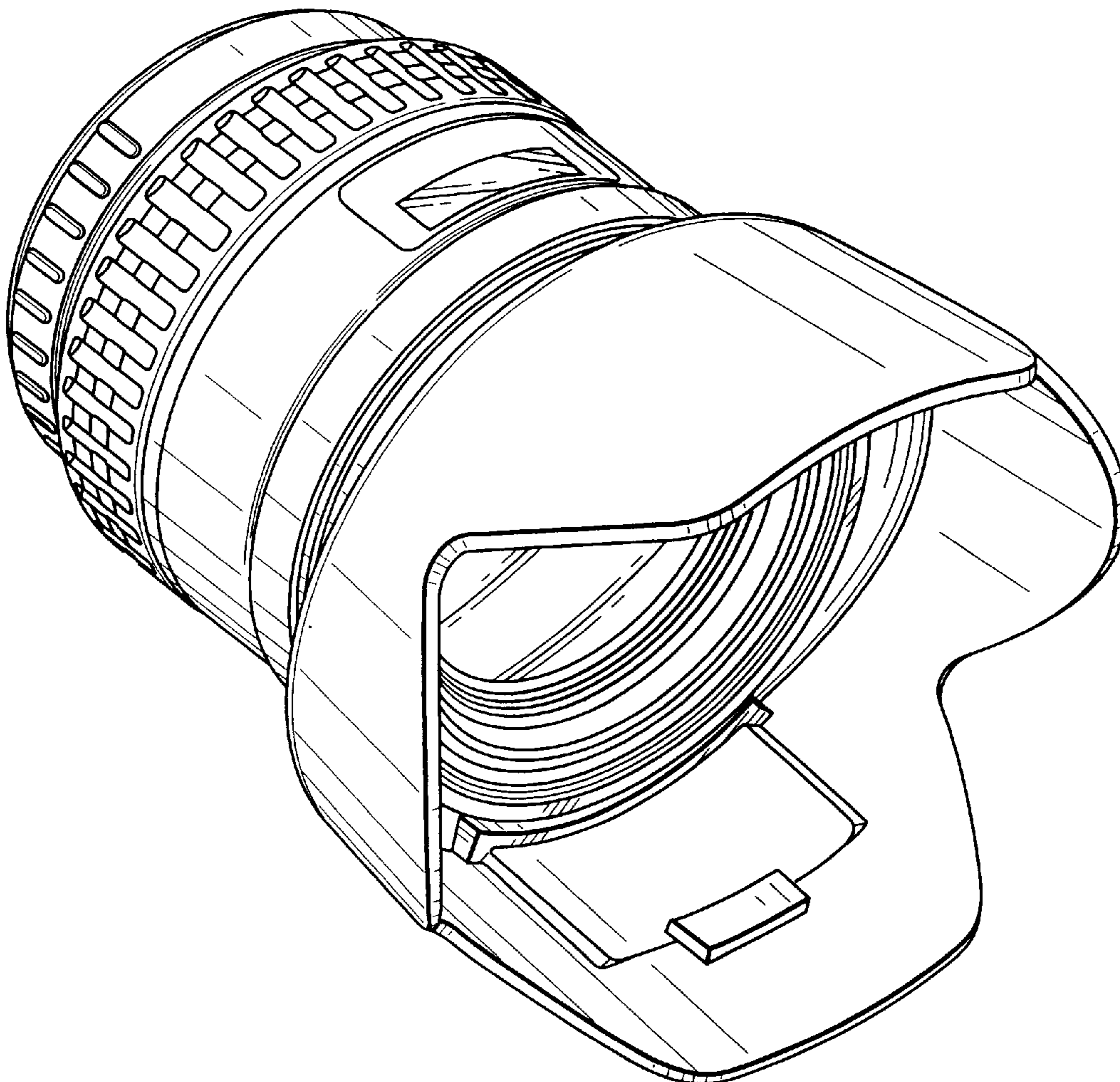
FIG. 1 is a perspective view of the top, front and left side of a lens for single-lens reflex camera showing my new design; FIG. 2 is a front elevational view thereof; FIG. 3 is a right side elevational view thereof; FIG. 4 is a top plan view thereof; FIG. 5 is bottom plan view thereof; FIG. 6 is a rear elevational view thereof; and, FIG. 7 is a left side elevational view thereof.

### [56] References Cited

#### U.S. PATENT DOCUMENTS

D. 289,659 5/1987 Colani ..... D16/217

**1 Claim, 4 Drawing Sheets**



*FIG. 1*

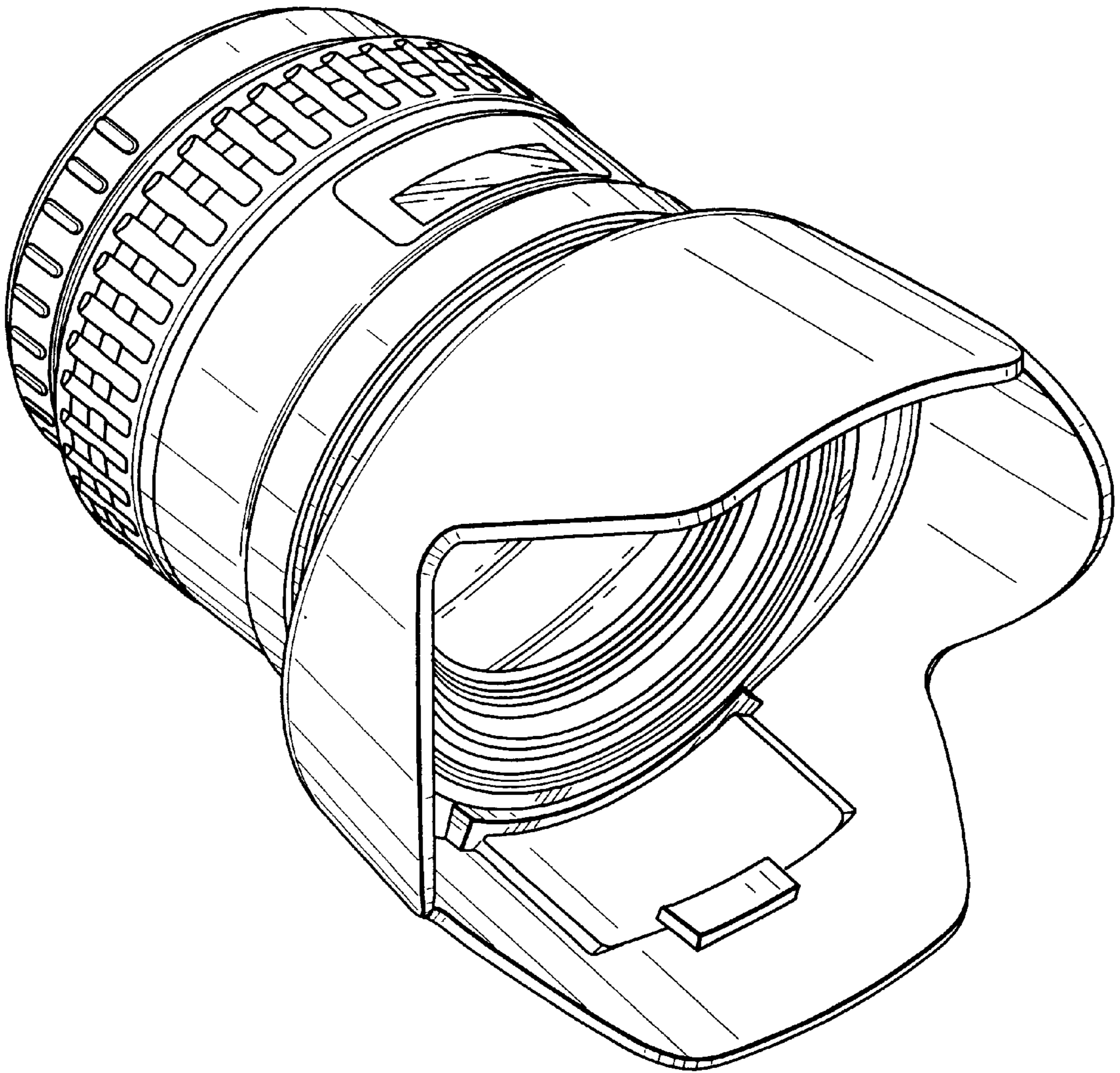


FIG. 3

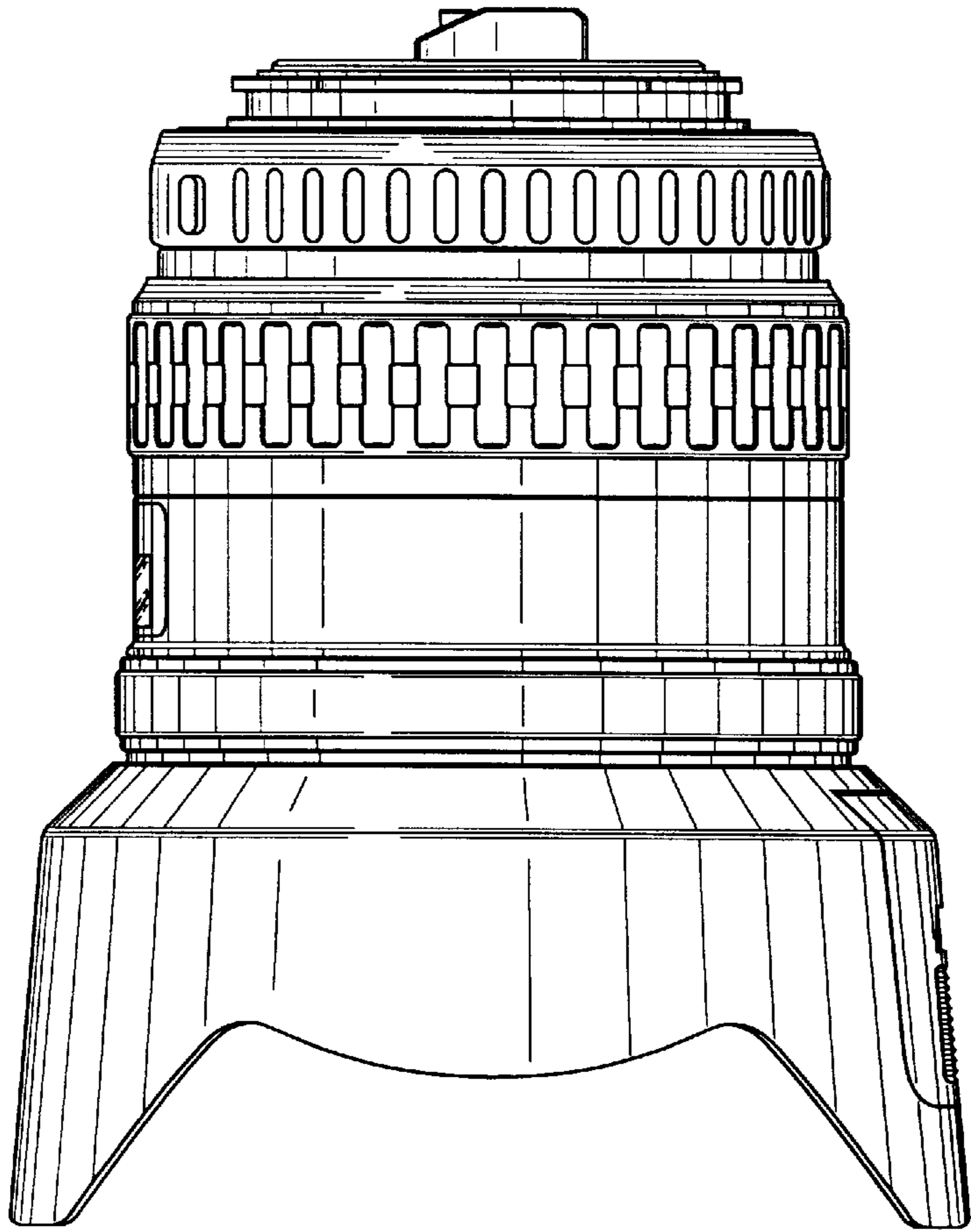


FIG. 2

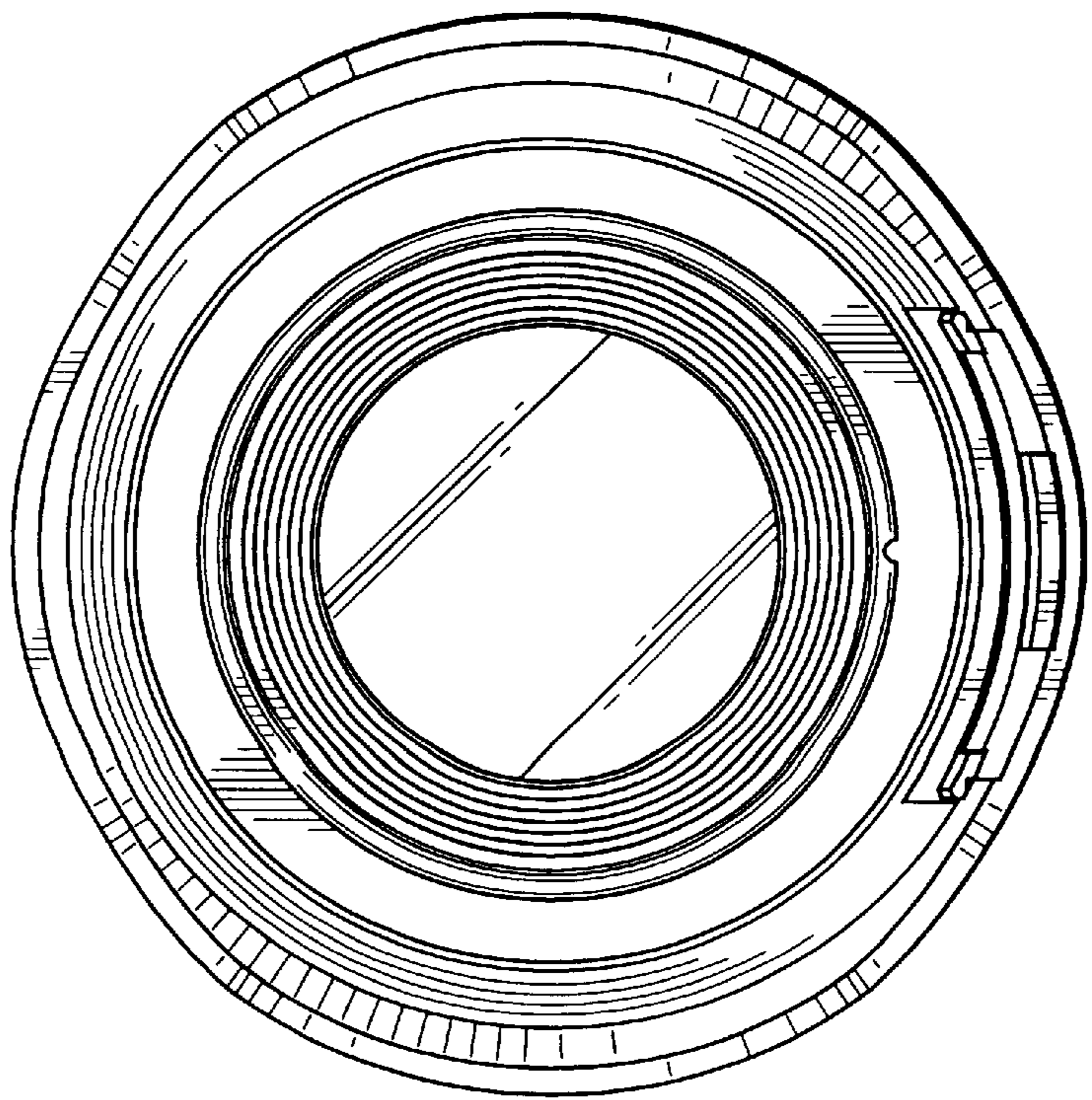


FIG. 5

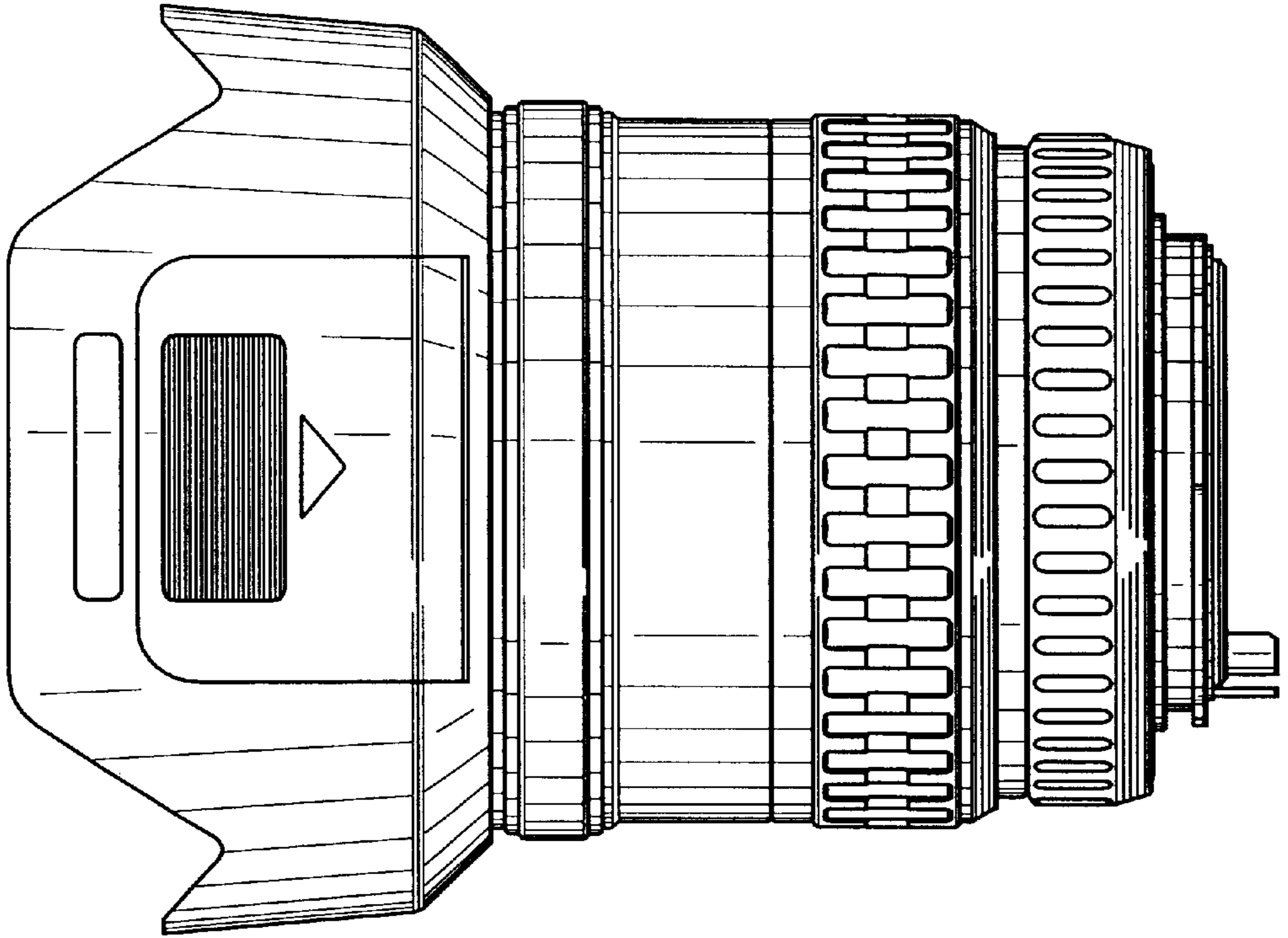


FIG. 4

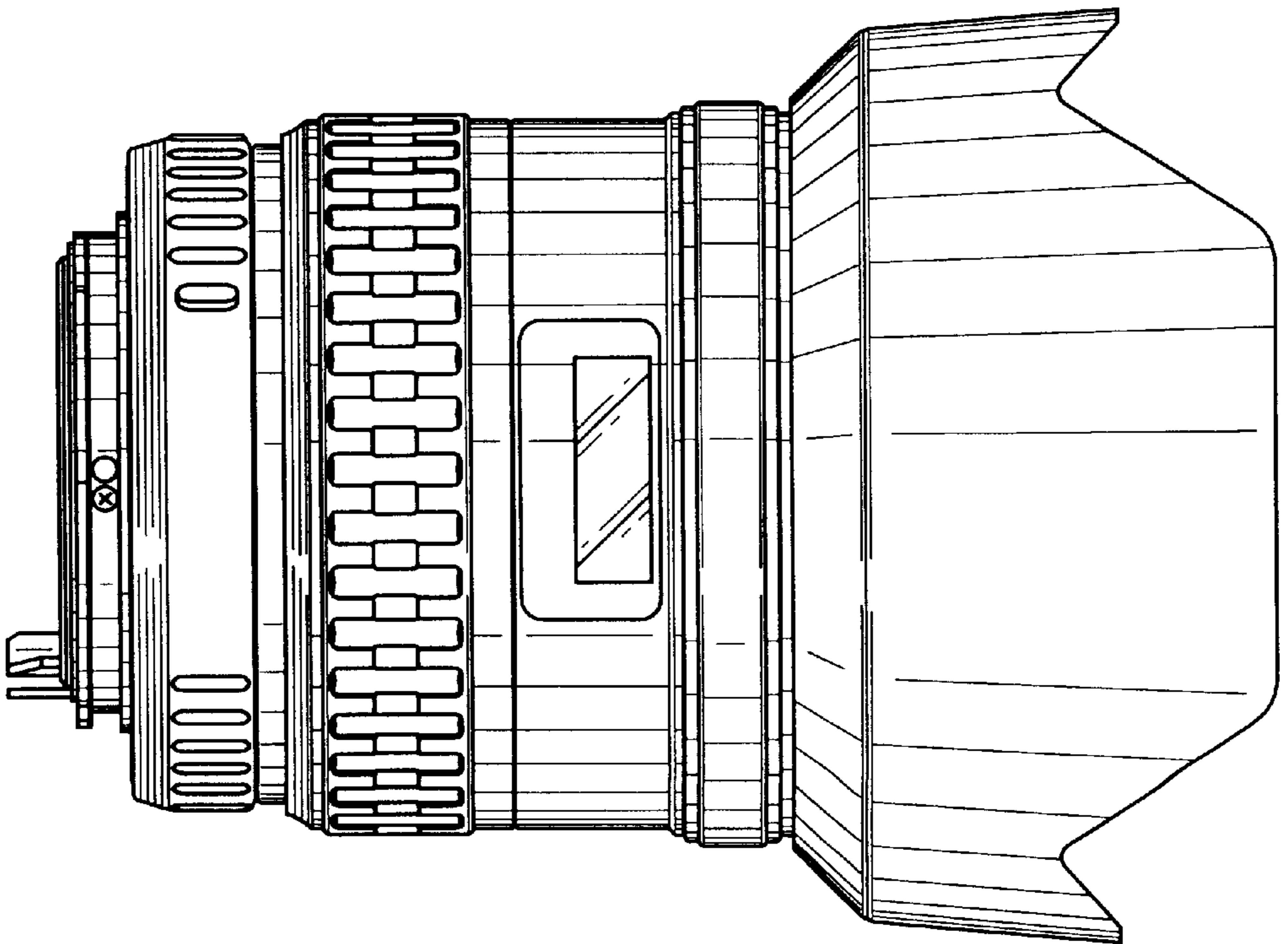


FIG. 7

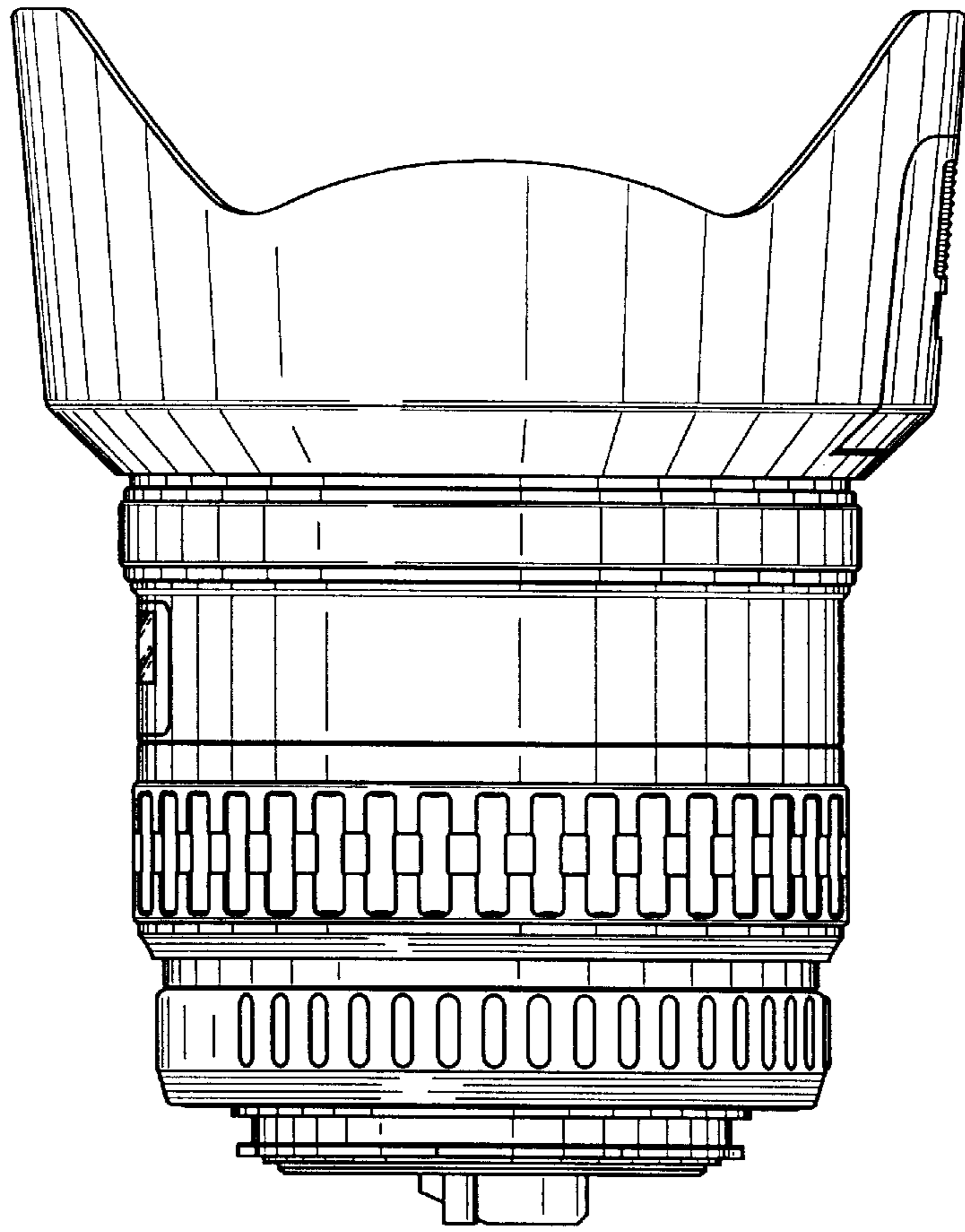


FIG. 6

