



US00D416921S

United States Patent [19] Cheng

[11] **Patent Number: Des. 416,921**

[45] **Date of Patent: ** Nov. 23, 1999**

[54] **THERMAL BINDING MACHINE**

[75] Inventor: **James Cheng**, Chia Yi Hsien, Taiwan

[73] Assignee: **Homedal Industrial Corporation**, Chia Yi Hsien, Taiwan

[**] Term: **14 Years**

[21] Appl. No.: **29/102,976**

[22] Filed: **Apr. 6, 1999**

[51] **LOC (6) Cl.** **15-09**

[52] **U.S. Cl.** **D15/146**

[58] **Field of Search** D15/145, 146;
53/373, 374.8, 374.9, 390, 405, 432-434,
510-512, DIG. 2; 118/242, 263, 264, 270;
156/497, 583.1-583.91

[56] **References Cited**

U.S. PATENT DOCUMENTS

D. 341,845 11/1993 Caruso et al. D15/146

Primary Examiner—Antoine Duval Davis
Attorney, Agent, or Firm—Larson & Taylor

[57] **CLAIM**

The ornamental design for a thermal binding machine, as shown.

DESCRIPTION

FIG. 1 is a perspective view of the thermal binding machine showing my new design;

FIG. 2 is a left side elevational view thereof;

FIG. 3 is a top plan view thereof;

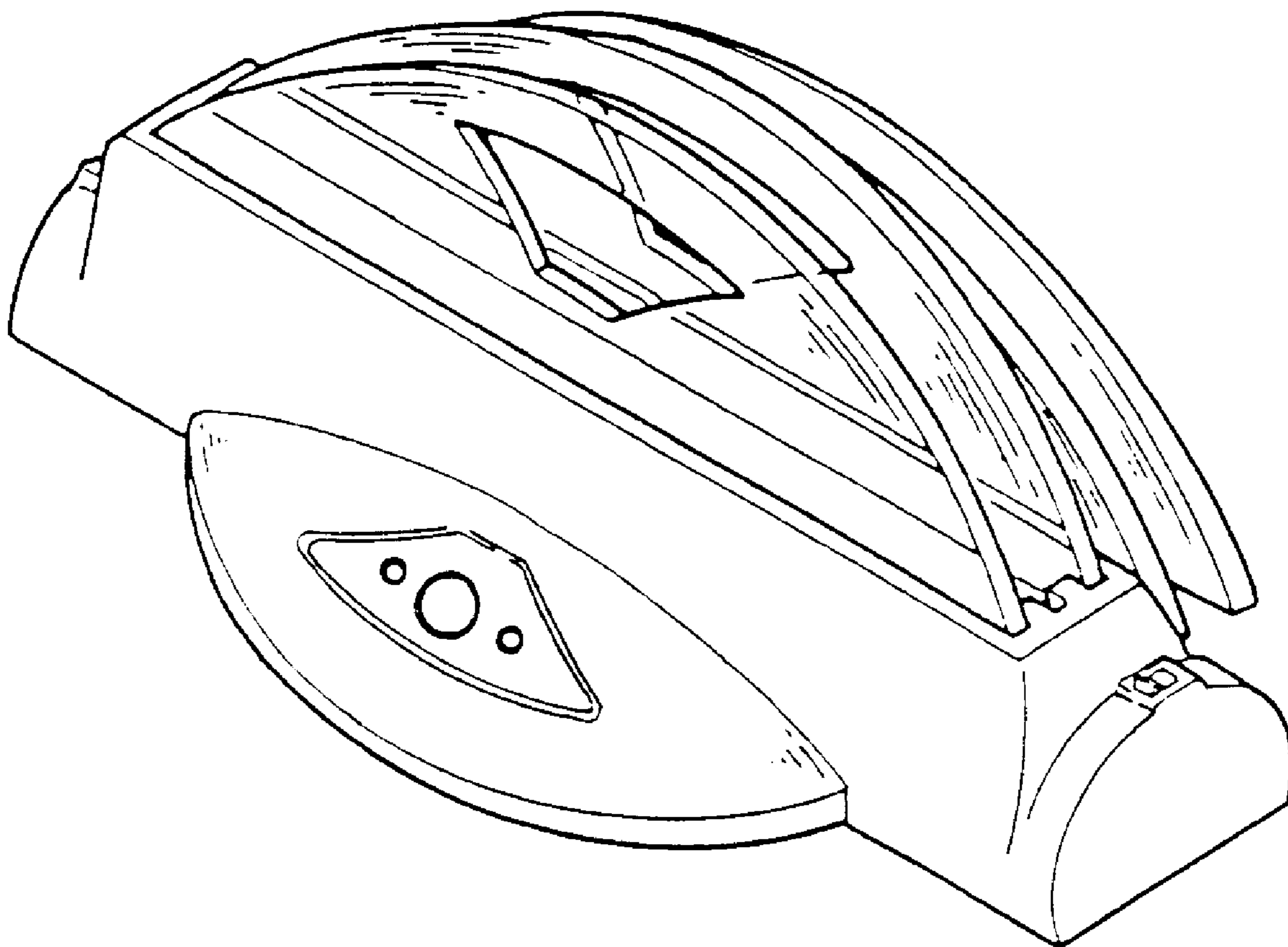
FIG. 4 is a front elevational view thereof;

FIG. 5 is a bottom plan view thereof;

FIG. 6 is a right side elevational view thereof; and,

FIG. 7 is a rear elevational view thereof.

1 Claim, 4 Drawing Sheets



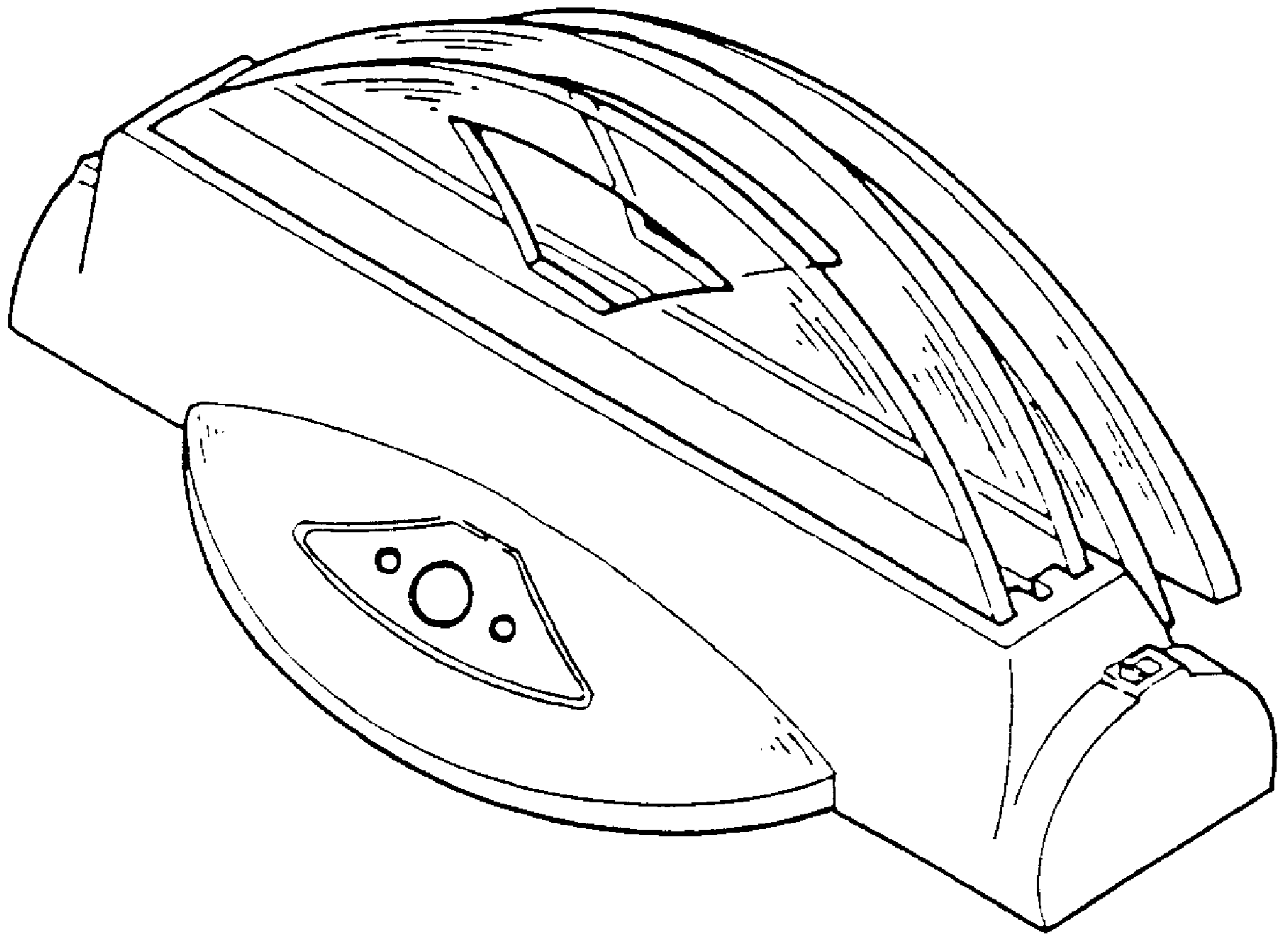


FIG. 1

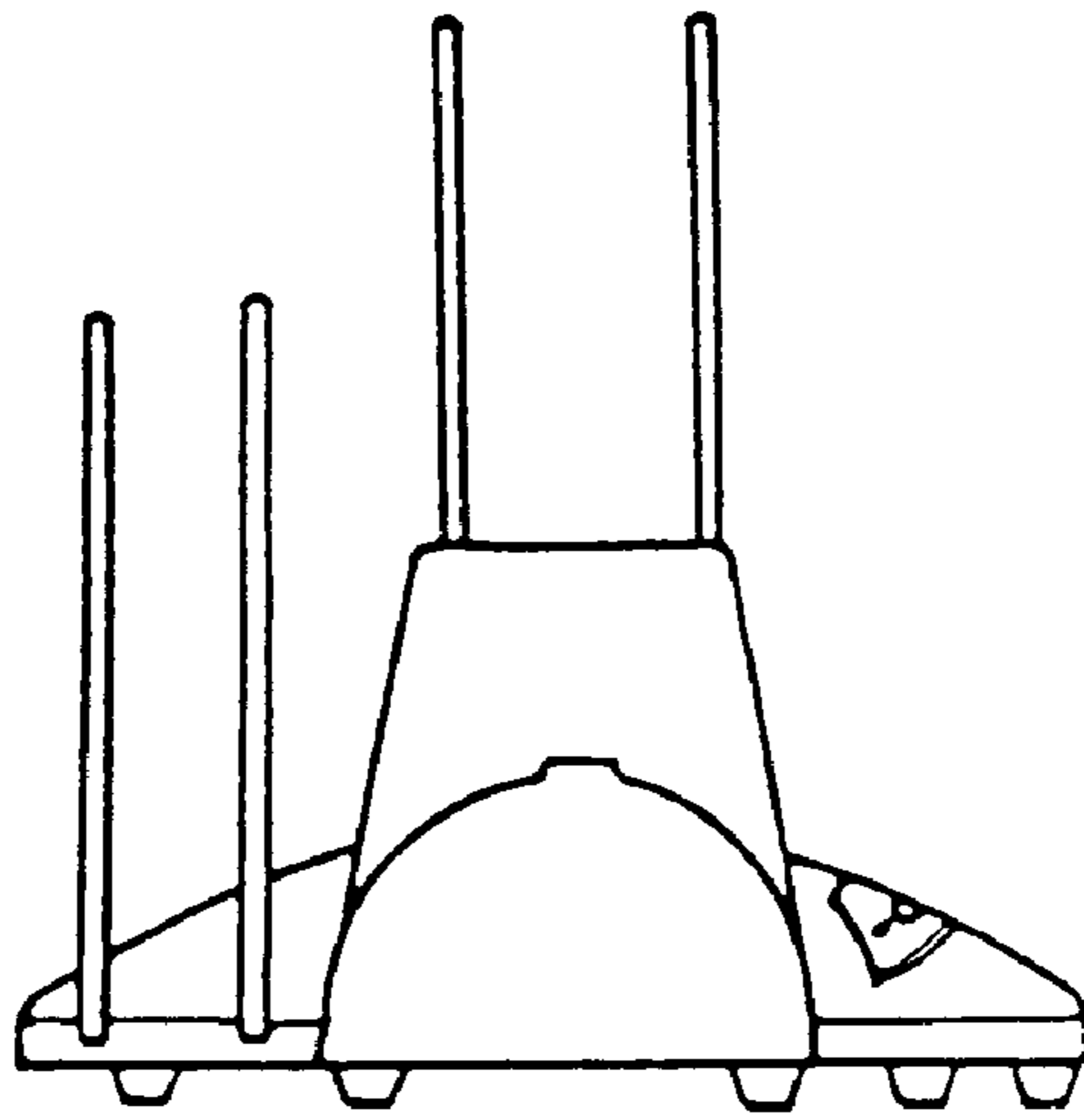


FIG.2

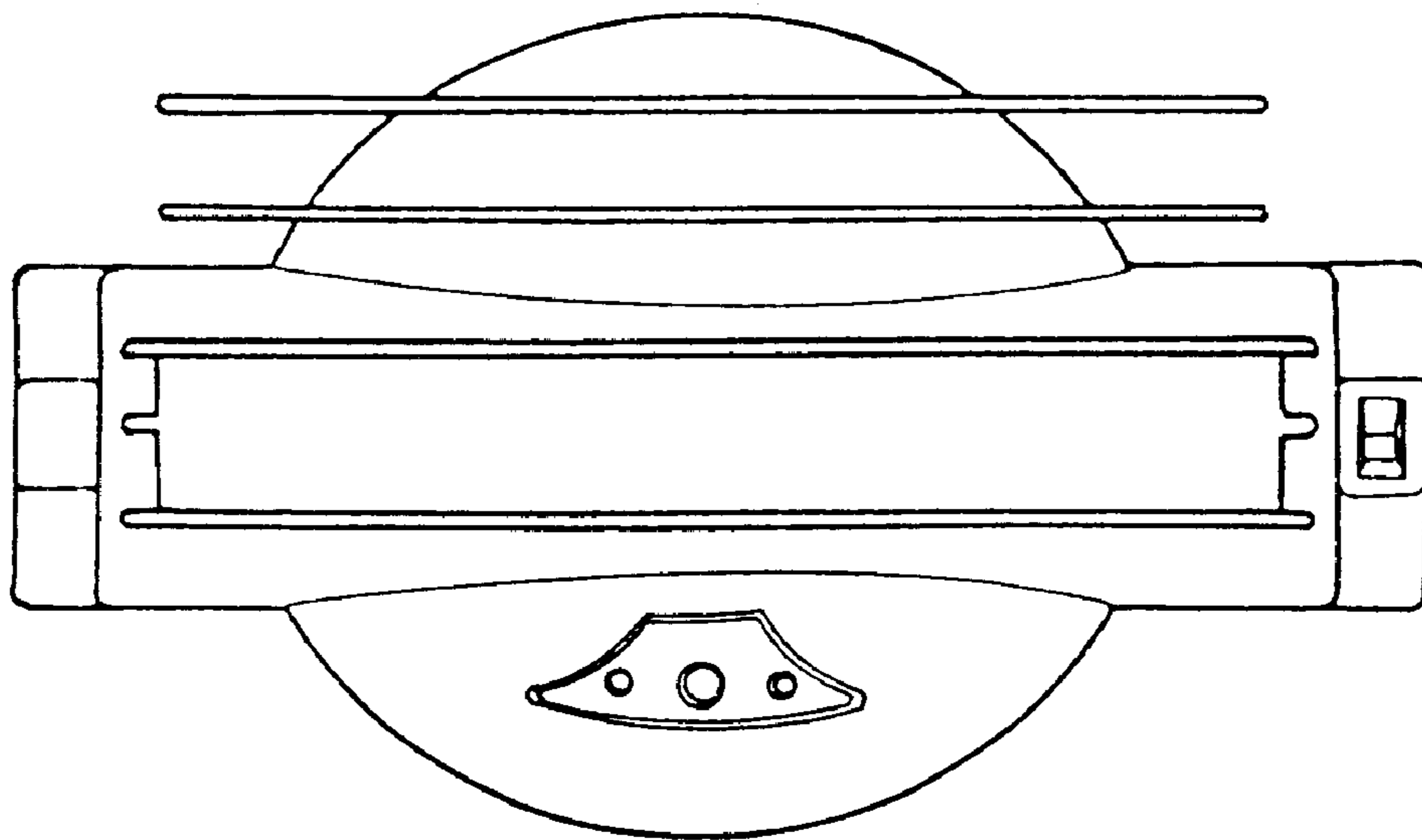


FIG.3

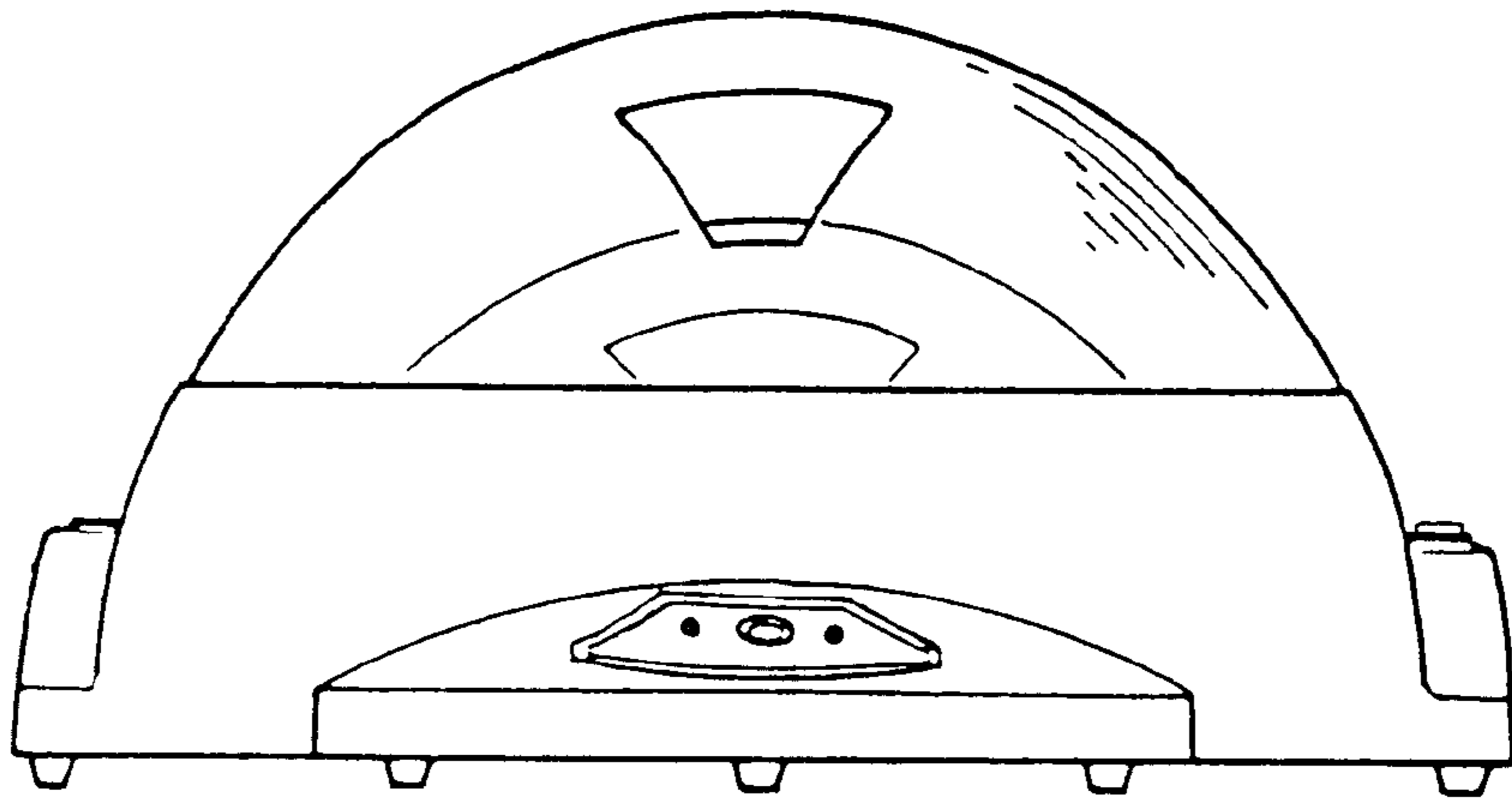


FIG. 4

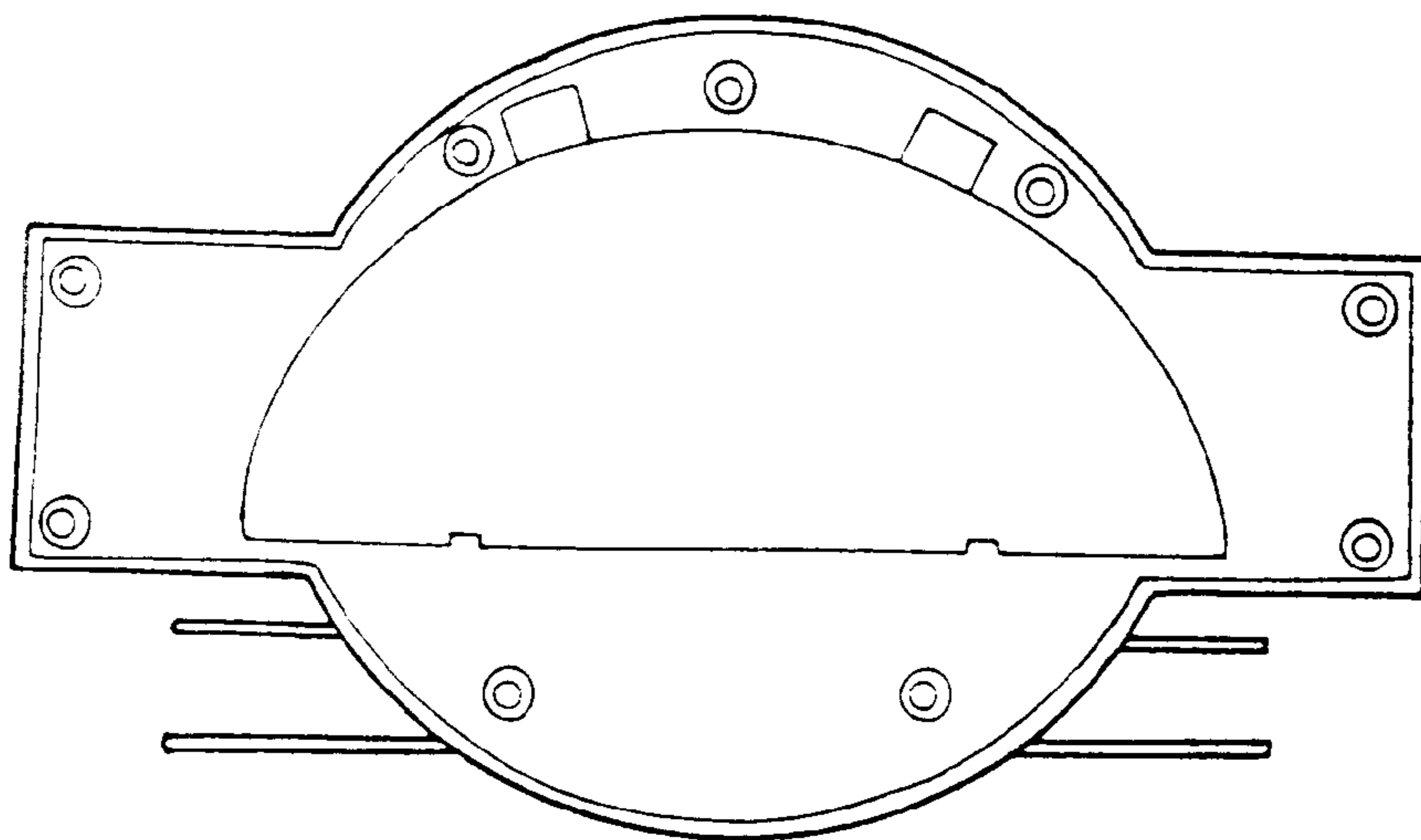


FIG. 5

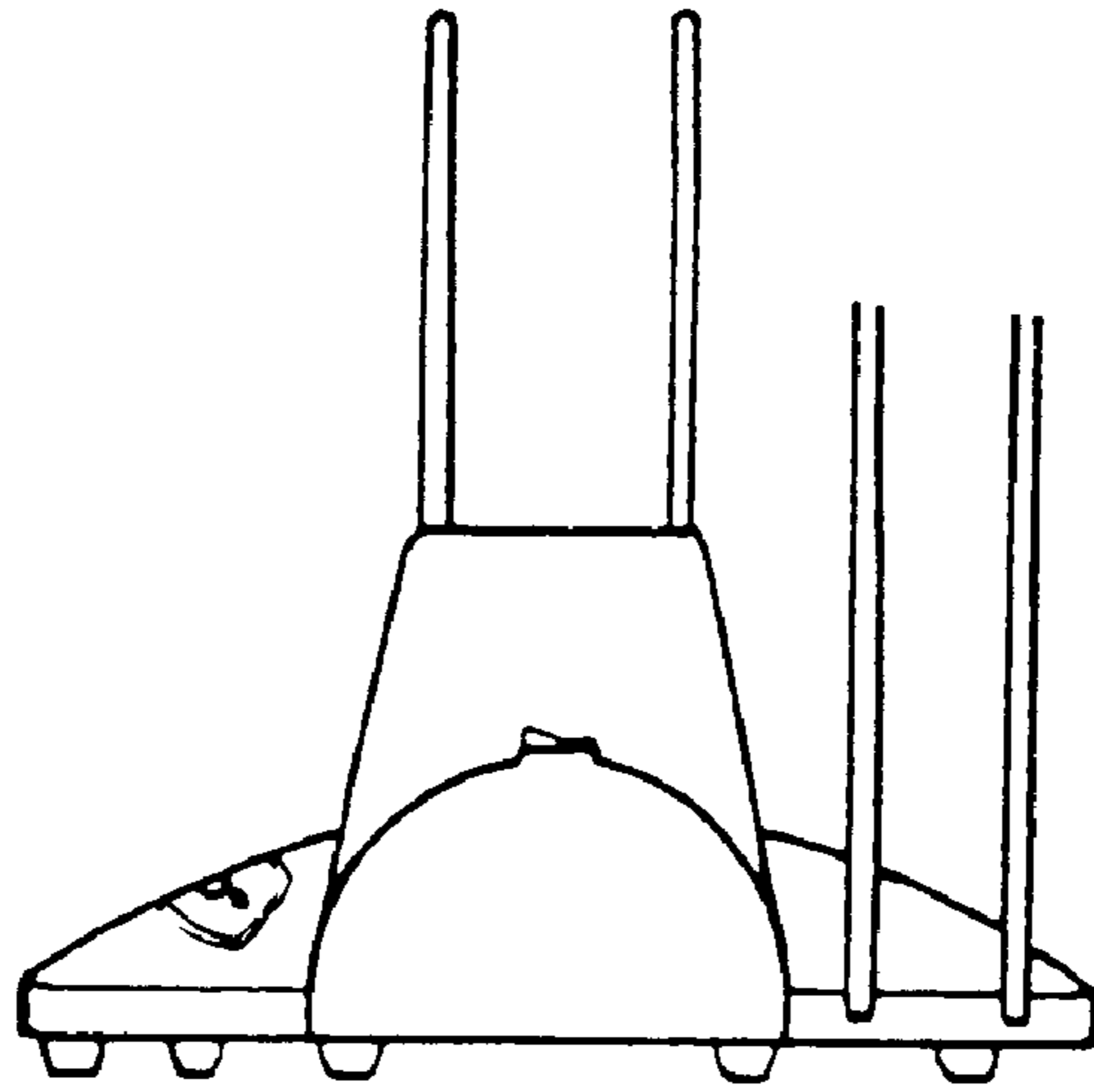


FIG. 6

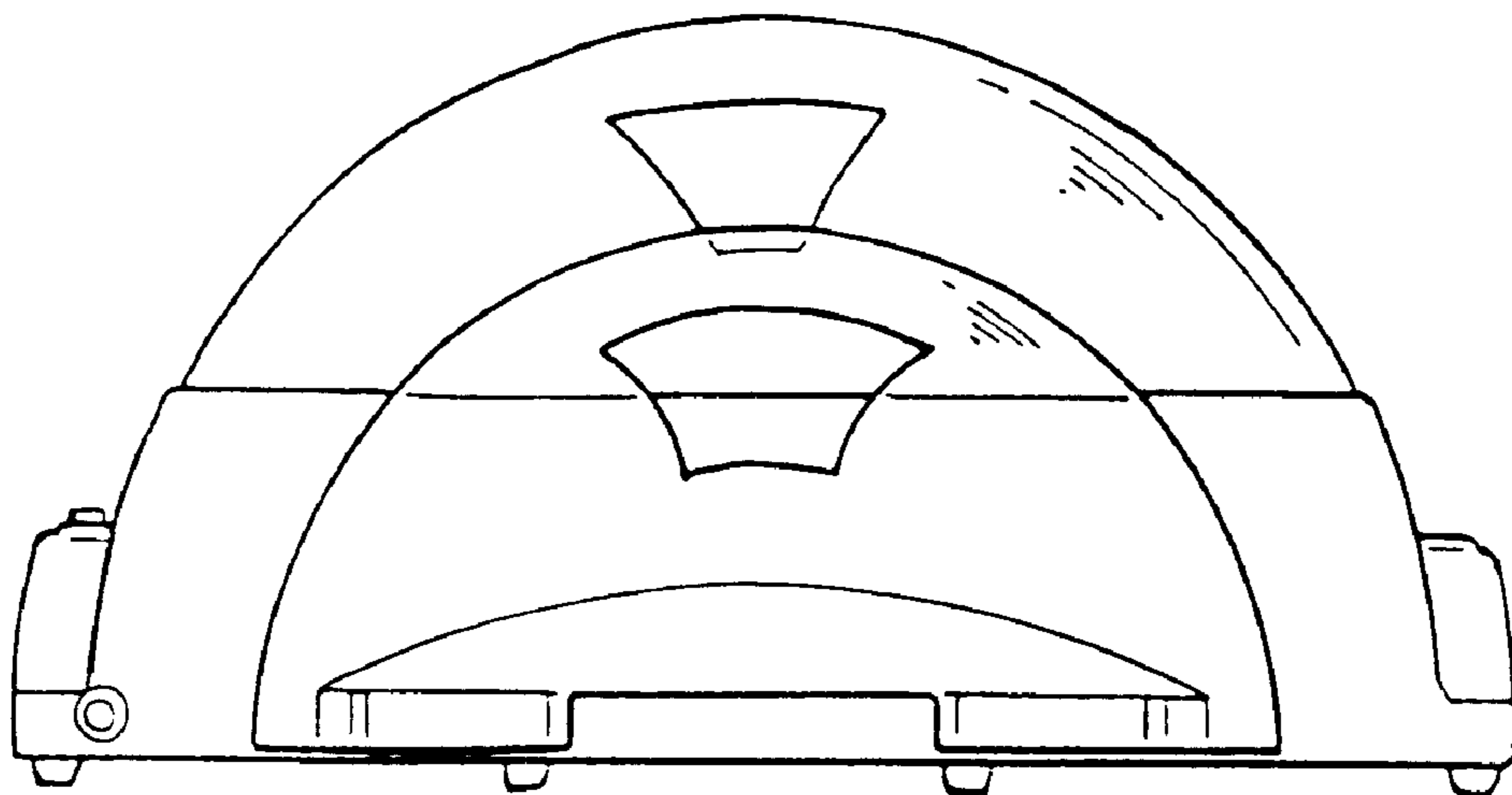


FIG. 7