



US00D416920S

United States Patent [19]
Chou

[11] **Patent Number: Des. 416,920**

[45] **Date of Patent: ** Nov. 23, 1999**

[54] **SOLDERING TORCH**

[76] Inventor: **An-Chuan Chou**, No. 212, Yung An Street, Tainan, Taiwan

[**] Term: **14 Years**

[21] Appl. No.: **29/099,107**

[22] Filed: **Jan. 13, 1999**

[51] **LOC (6) Cl.** **15-09**

[52] **U.S. Cl.** **D15/144**

[58] **Field of Search** 815/144, 144.1, 815/144.2; 431/345, 344, 266, 255, 256

[56] **References Cited**

U.S. PATENT DOCUMENTS

4,643,671 2/1987 Yoshinaga 431/255

Primary Examiner—Antoine Duval Davis
Attorney, Agent, or Firm—Rosenberg, Klein & Lee

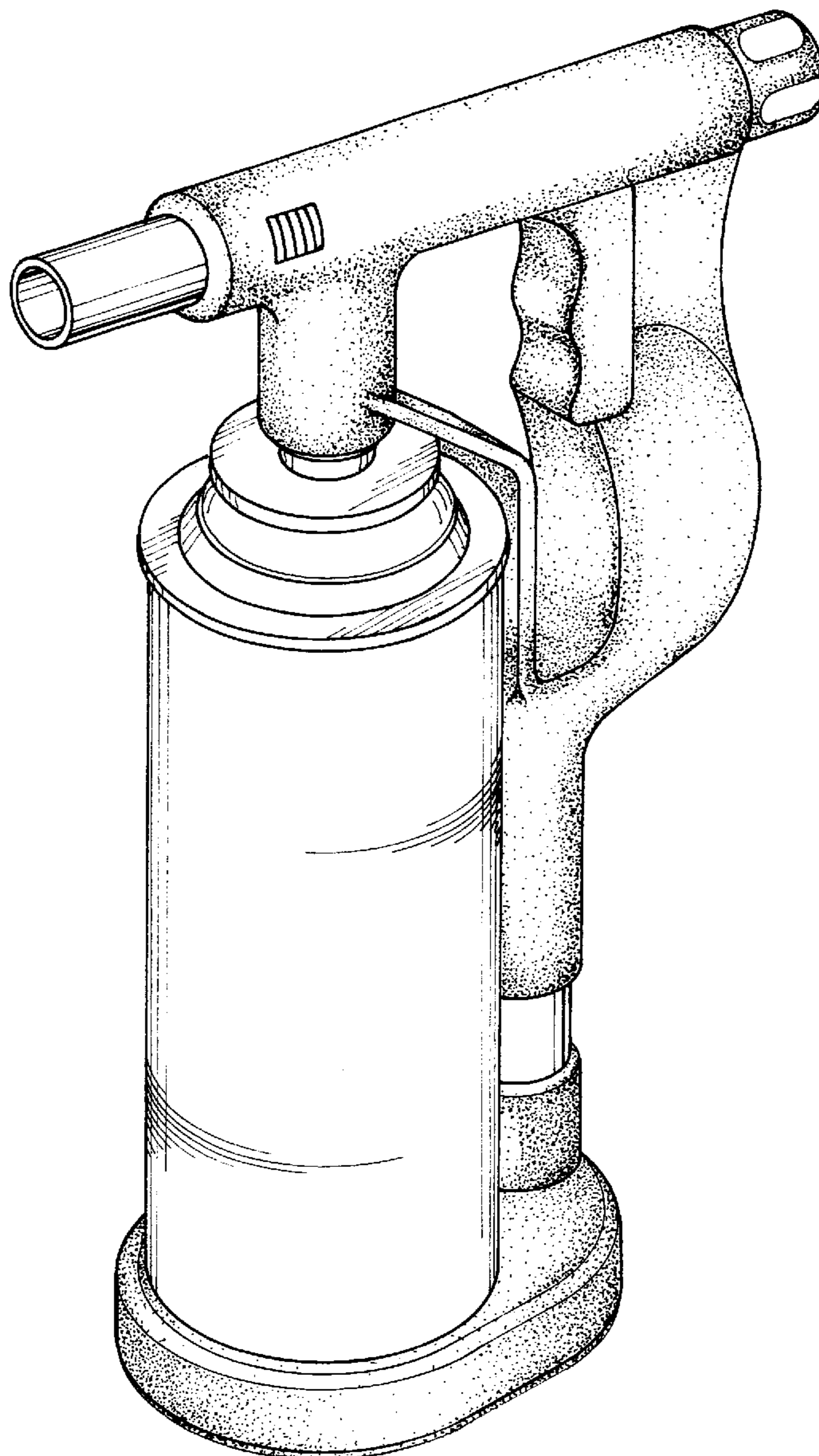
[57] **CLAIM**

The ornamental design for a soldering torch, as shown and described.

DESCRIPTION

FIG. 1 is a perspective view of a soldering torch showing my new design;
FIG. 2 is a front elevational view thereof;
FIG. 3 is a rear elevational view thereof;
FIG. 4 is a left side elevational view thereof;
FIG. 5 is a right side elevational view thereof;
FIG. 6 is a top plan view thereof; and,
FIG. 7 is a bottom plan view thereof.

1 Claim, 3 Drawing Sheets



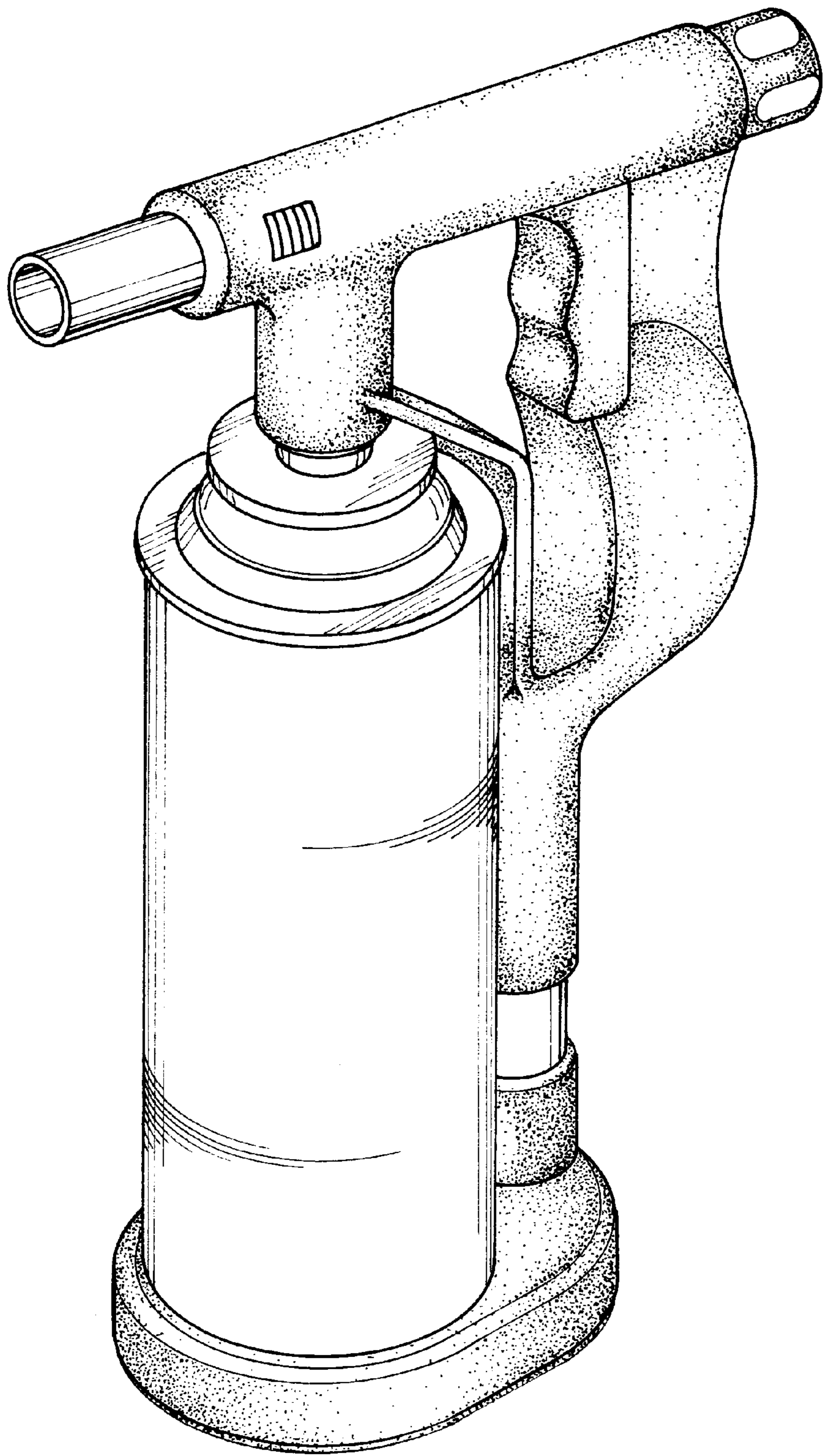


FIG. 1

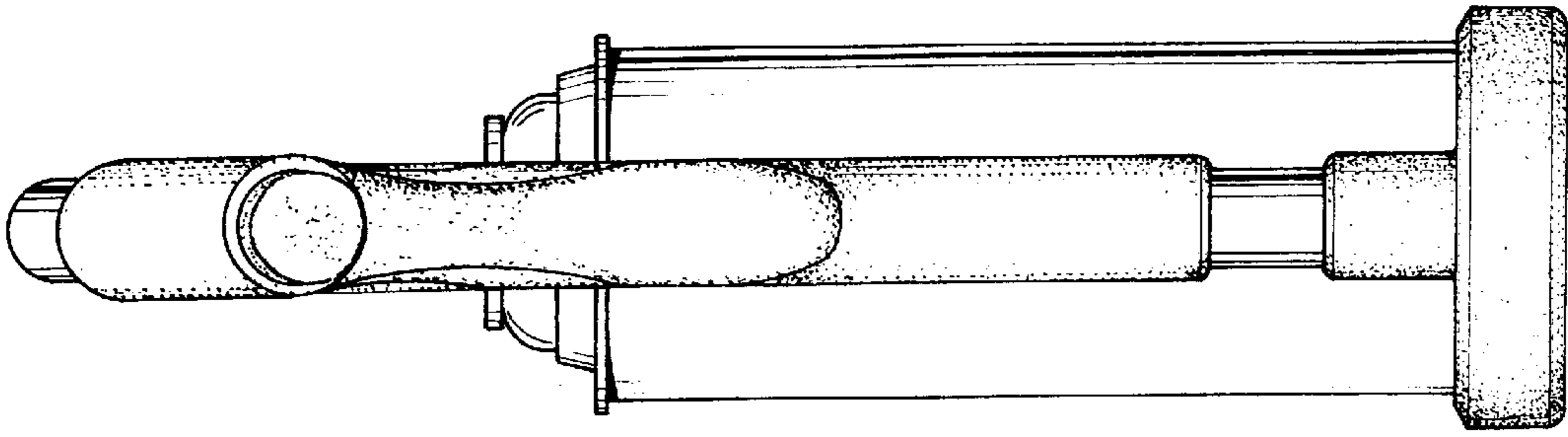


FIG. 3

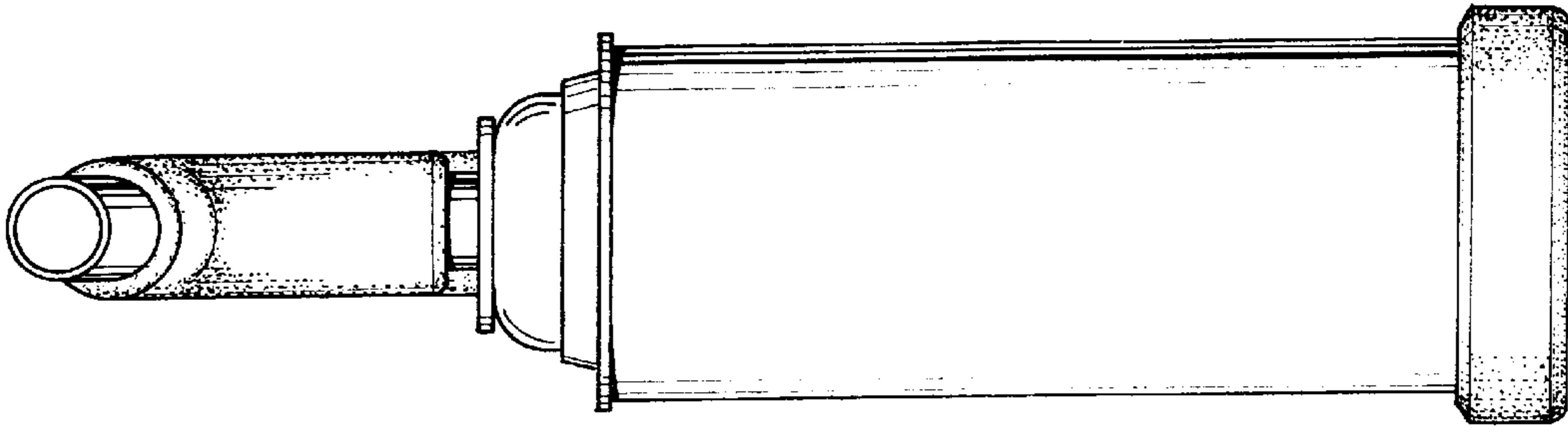


FIG. 2

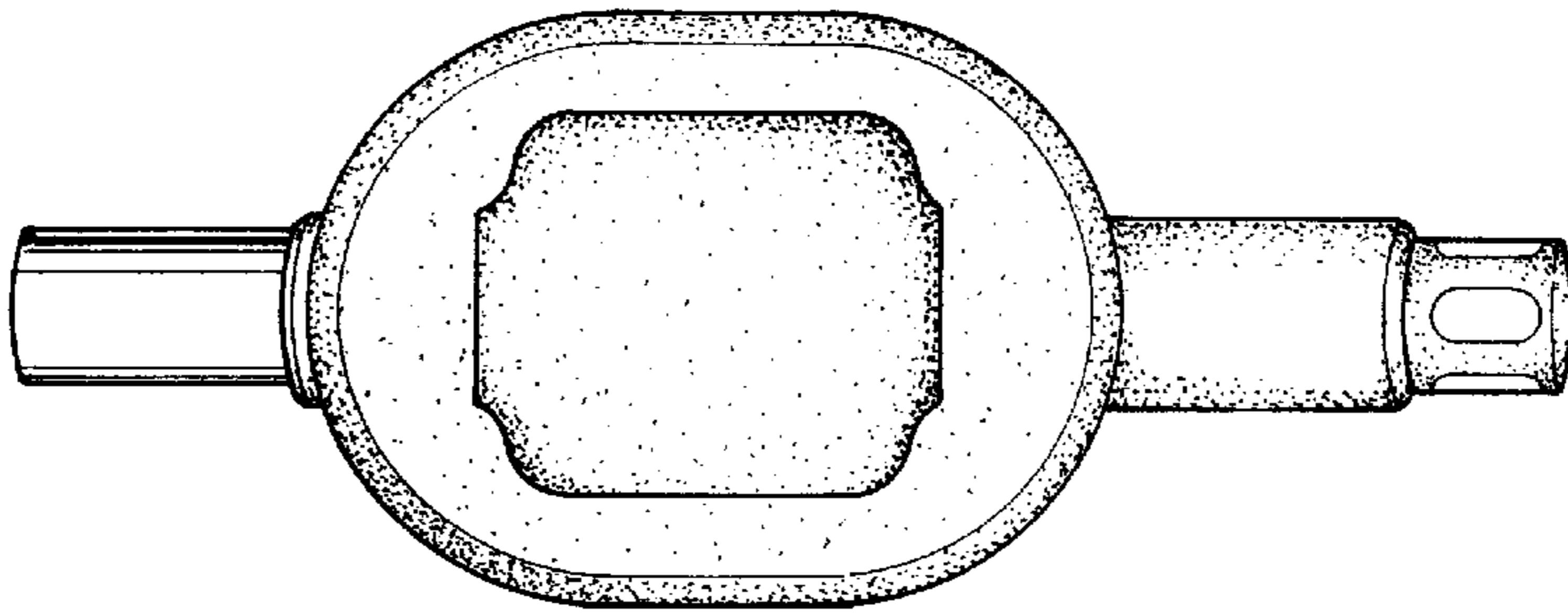


FIG. 7

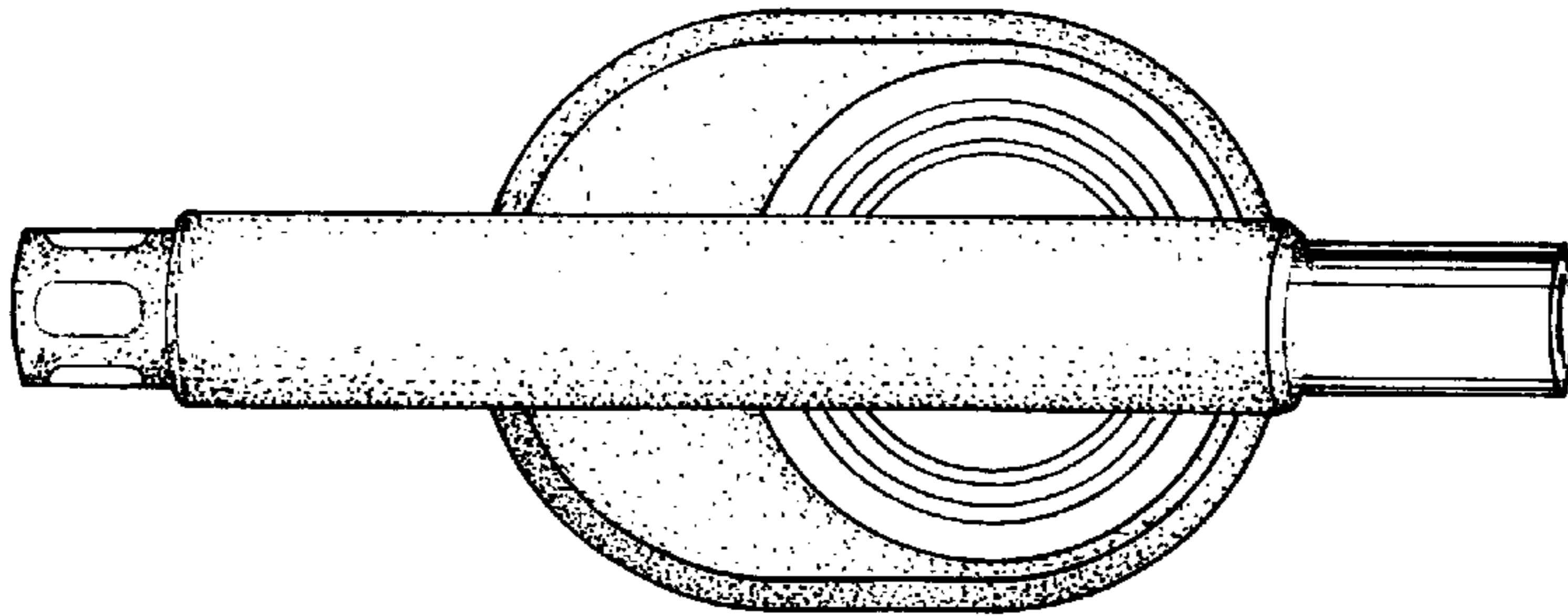


FIG. 6

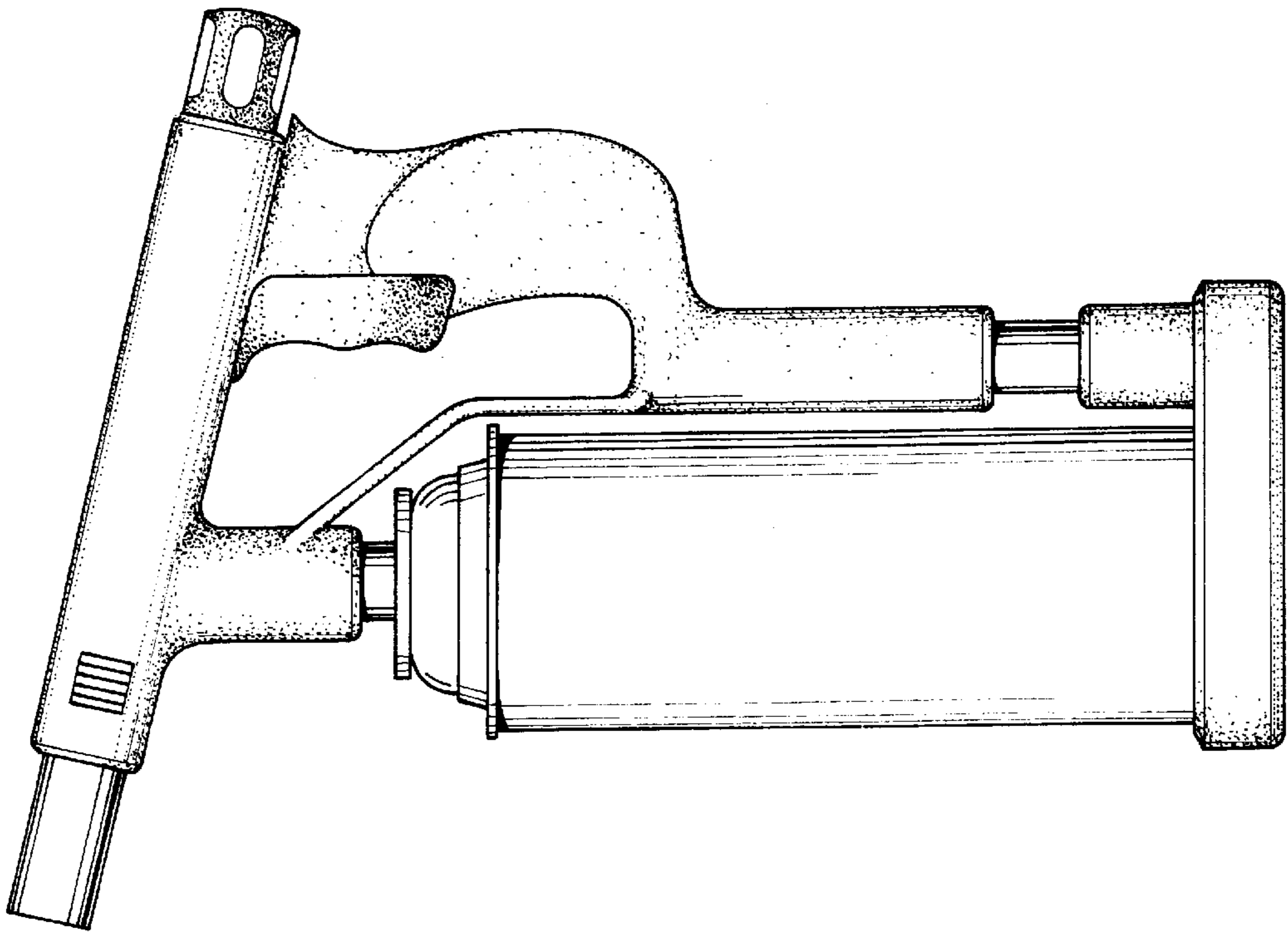


FIG. 5

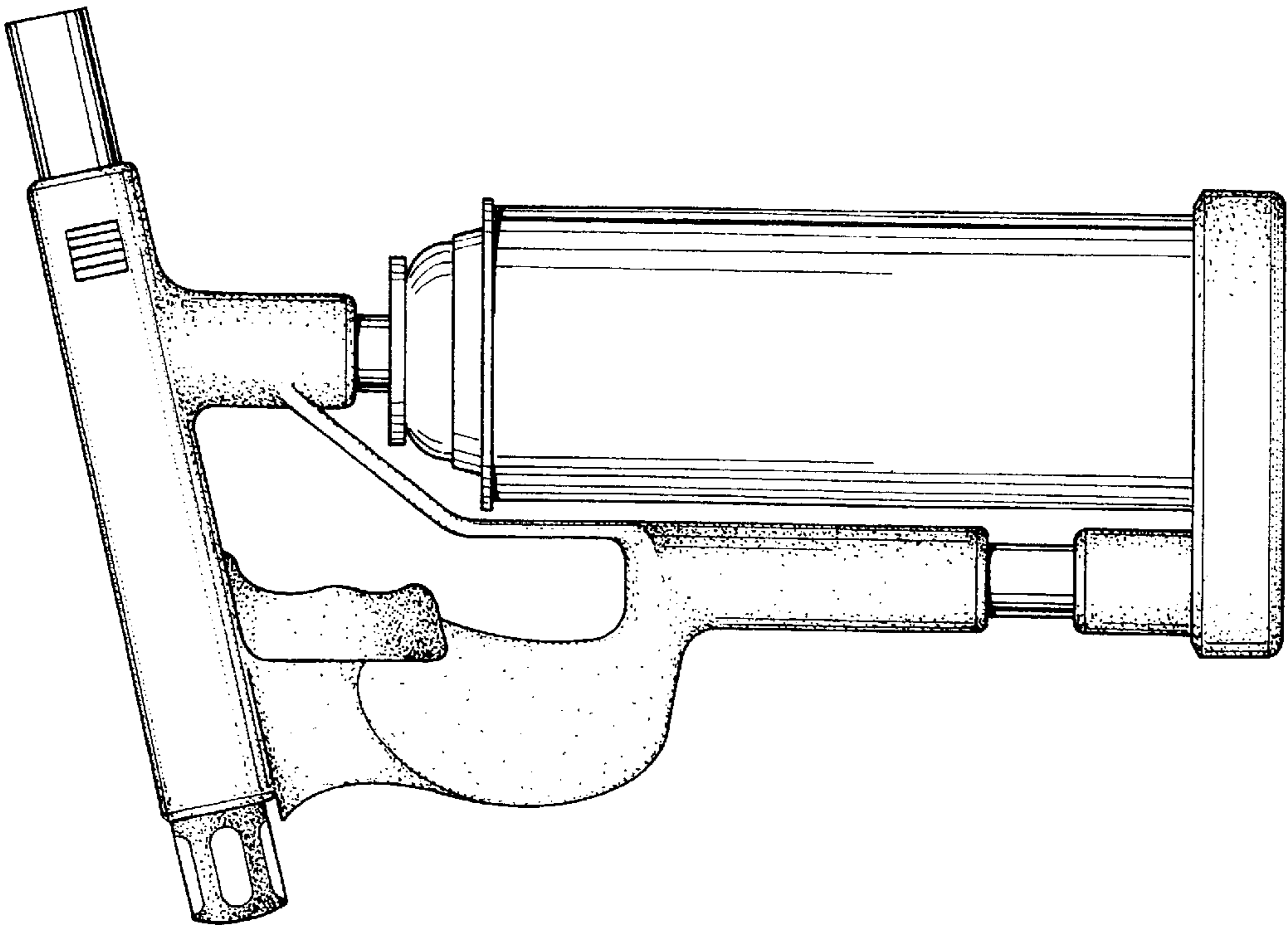


FIG. 4