



US00D416919S

# United States Patent [19] Lei

[11] **Patent Number: Des. 416,919**

[45] **Date of Patent: \*\* Nov. 23, 1999**

[54] **WORK HOLDING APPARATUS**

[75] Inventor: **Xun Lei**, Cheswick, Pa.

[73] Assignee: **Delta International Machinery Corp.**,  
Pittsburgh, Pa.

[\*\*] Term: **14 Years**

[21] Appl. No.: **29/100,875**

[22] Filed: **Feb. 19, 1999**

[51] **LOC (6) Cl.** ..... **15-09**

[52] **U.S. Cl.** ..... **D15/140; D10/65**

[58] **Field of Search** ..... **D10/65; D15/140;**  
**144/287, 286.1, 477.2**

[56] **References Cited**

**U.S. PATENT DOCUMENTS**

D. 314,712	2/1991	Kunz	.....	D10/65
D. 352,510	11/1994	Sutton et al.	.	
D. 400,453	11/1998	Holland	.....	D10/65
4,058,150	11/1977	Pennington	.	
4,630,656	12/1986	Collins	.	
4,687,383	8/1987	Shimomura et al.	.	
5,452,751	9/1995	Engler, III et al.	.	
5,617,909	4/1997	Duginske	.	

*Primary Examiner*—Antoine Duval Davis  
*Attorney, Agent, or Firm*—Kirkpatrick & Lockhart LLP

[57] **CLAIM**

The ornamental design for a work holding apparatus, as shown and described.

**DESCRIPTION**

FIG. 1 is a perspective view of an embodiment of the work holding apparatus of the present invention, taken generally

from the front and to the left, and with two side members shown in a first position;

FIG. 2 is a second perspective view of the invention of FIG. 1, taken generally from the front and to the left, and with the two side members shown in a second position;

FIG. 3 is a third perspective view of the invention of FIG. 1, taken generally from the front and above, and with the two side members shown in the first position;

FIG. 4 is a fourth perspective view of the invention of FIG. 1, taken generally from the front and above, and with the two side members shown in the second position;

FIG. 5 is a top plan view of the invention of FIG. 1, with the two side members shown in the first position;

FIG. 6 is a top plan view of the invention of FIG. 1, with the two side members shown in the second position;

FIG. 7 is a front elevational view of the invention of FIG. 1, with the two side members shown in the first position;

FIG. 8 is a left side elevational view of the invention of FIG. 1, with the depicted side member shown in the first position;

FIG. 9 is a perspective view of another embodiment of the work holding apparatus of the present invention, taken generally from above and to the left, with the two side members shown in the first position;

FIG. 10 is a second perspective view of the invention of FIG. 9, taken generally from above and to the left, and with the two side members shown in the second position;

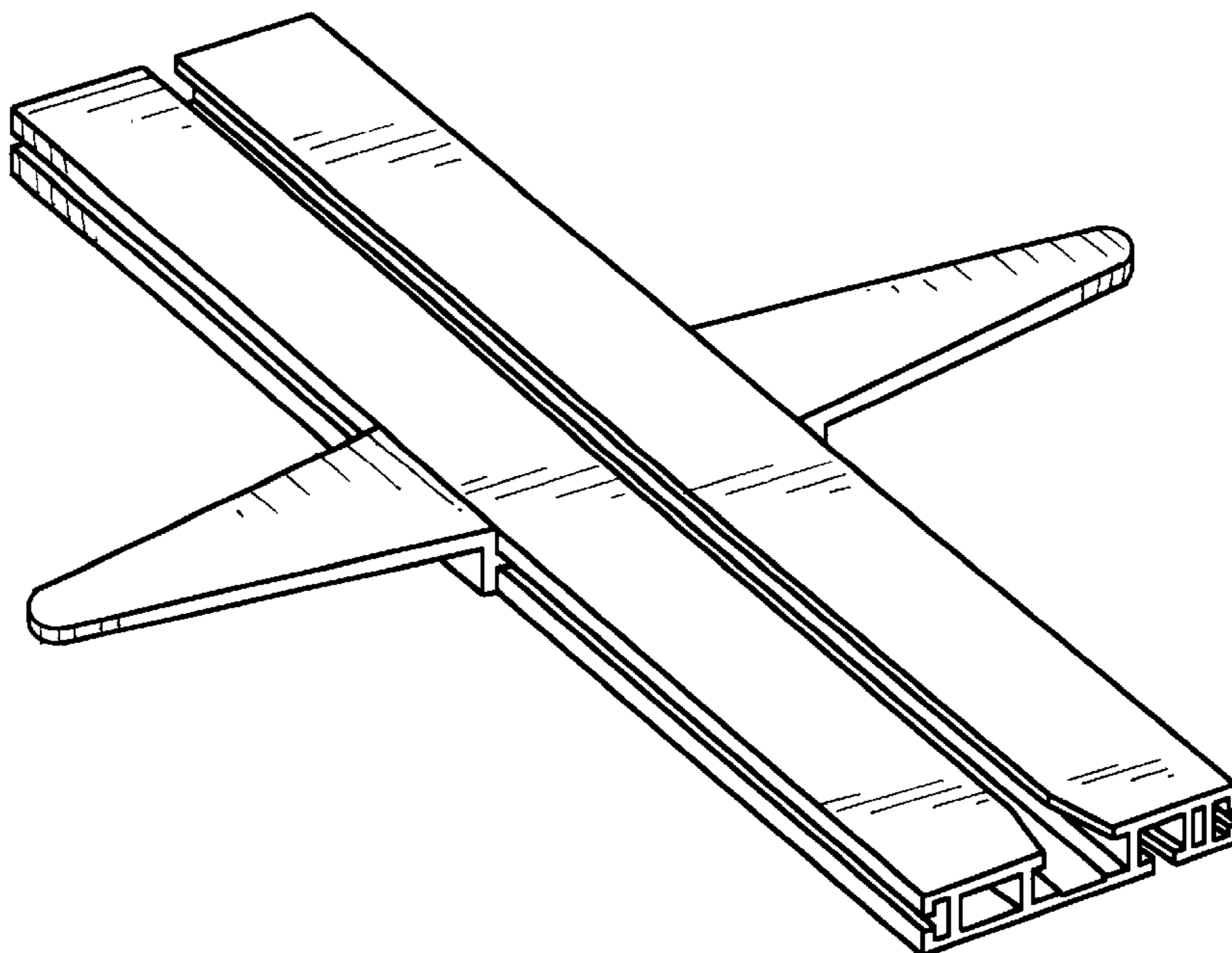
FIG. 11 is a top plan view of the invention of FIG. 9, with the two side members shown in the first position;

FIG. 12 is a top plan view of the invention of FIG. 9, with the two side members shown in the second position;

FIG. 13 is a front elevational view of the invention of FIG. 9, with the two side members shown in the first position; and,

FIG. 14 is a left side elevational view of the invention of FIG. 9, with the illustrated side member in the first position.

**1 Claim, 10 Drawing Sheets**



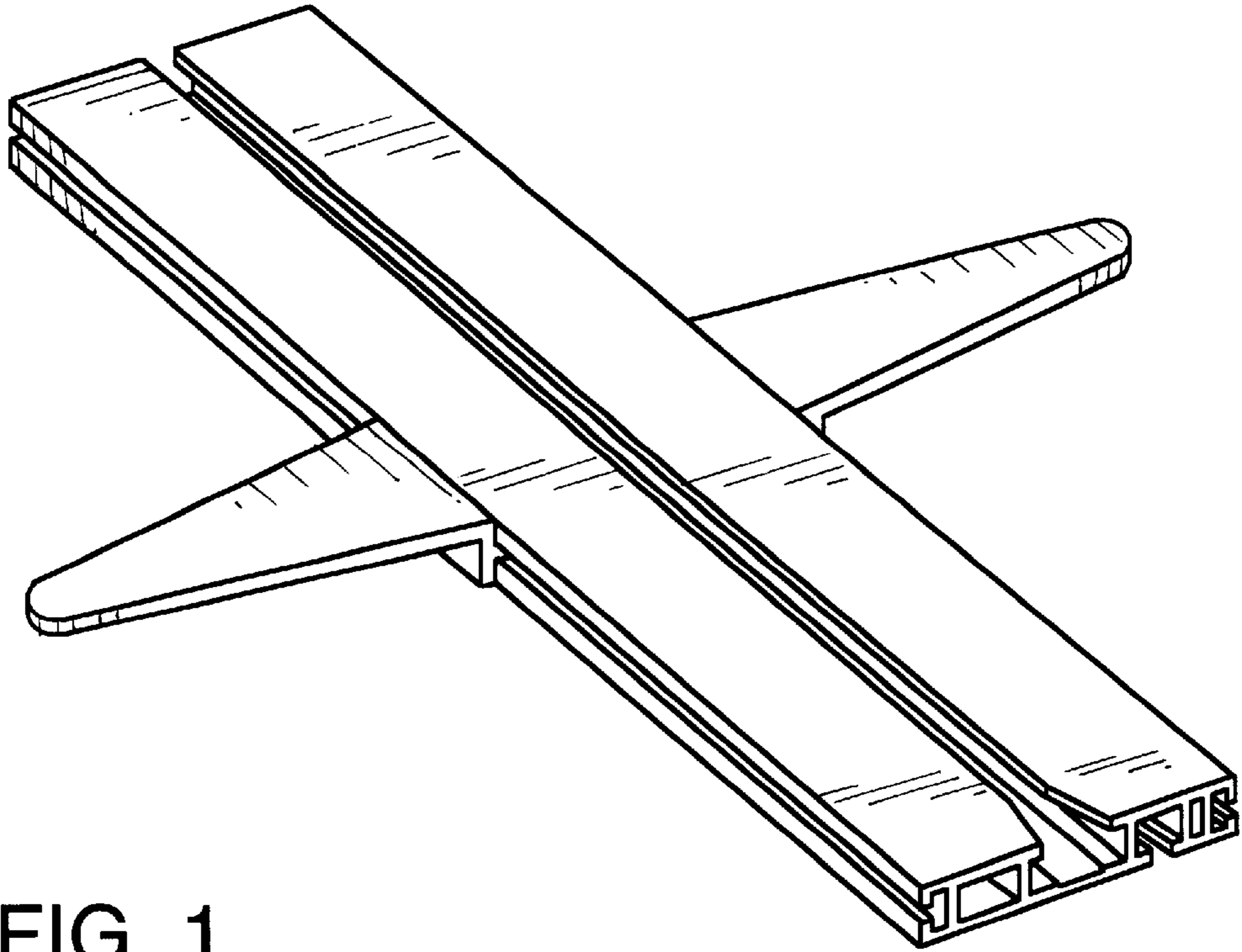


FIG. 1

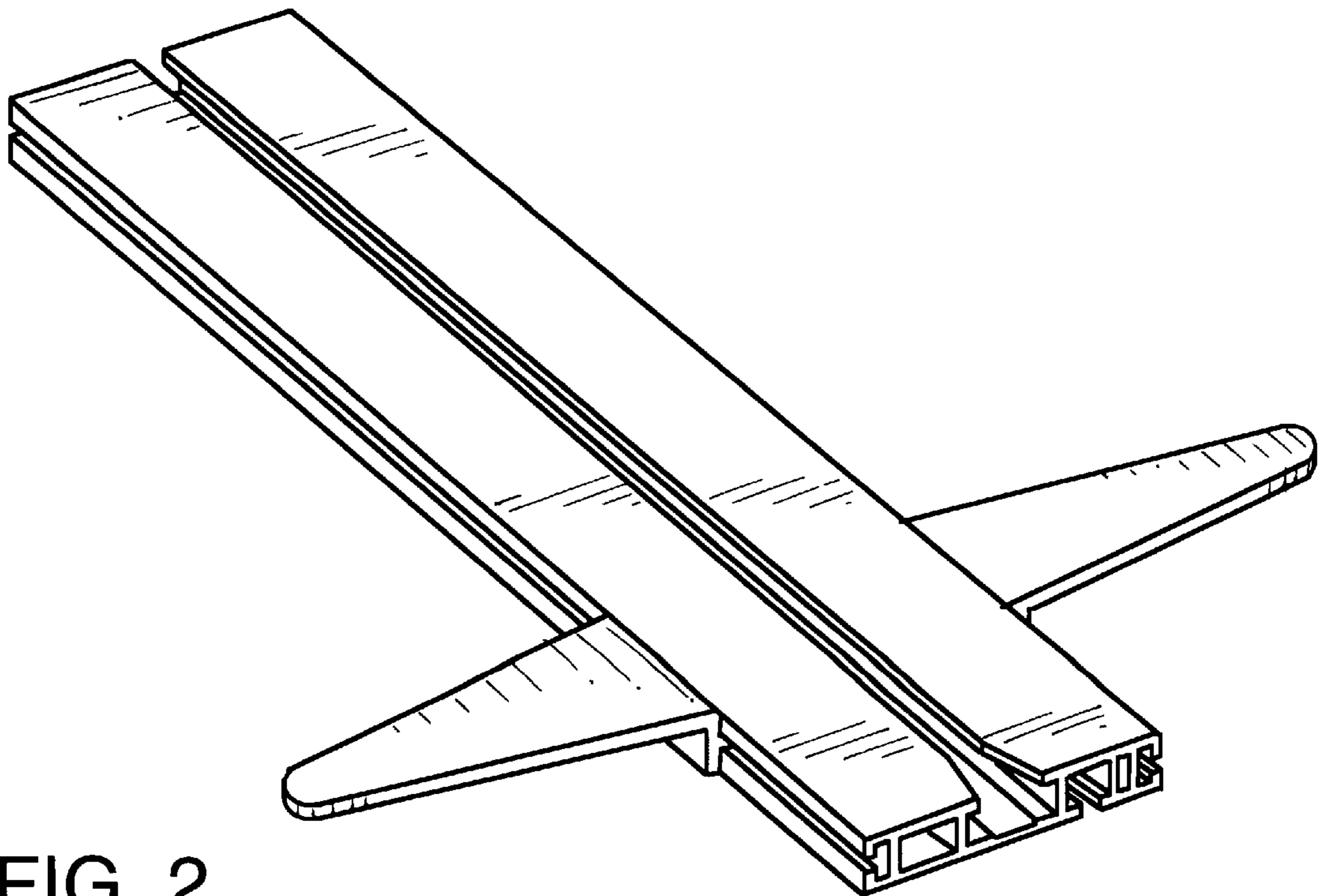


FIG. 2

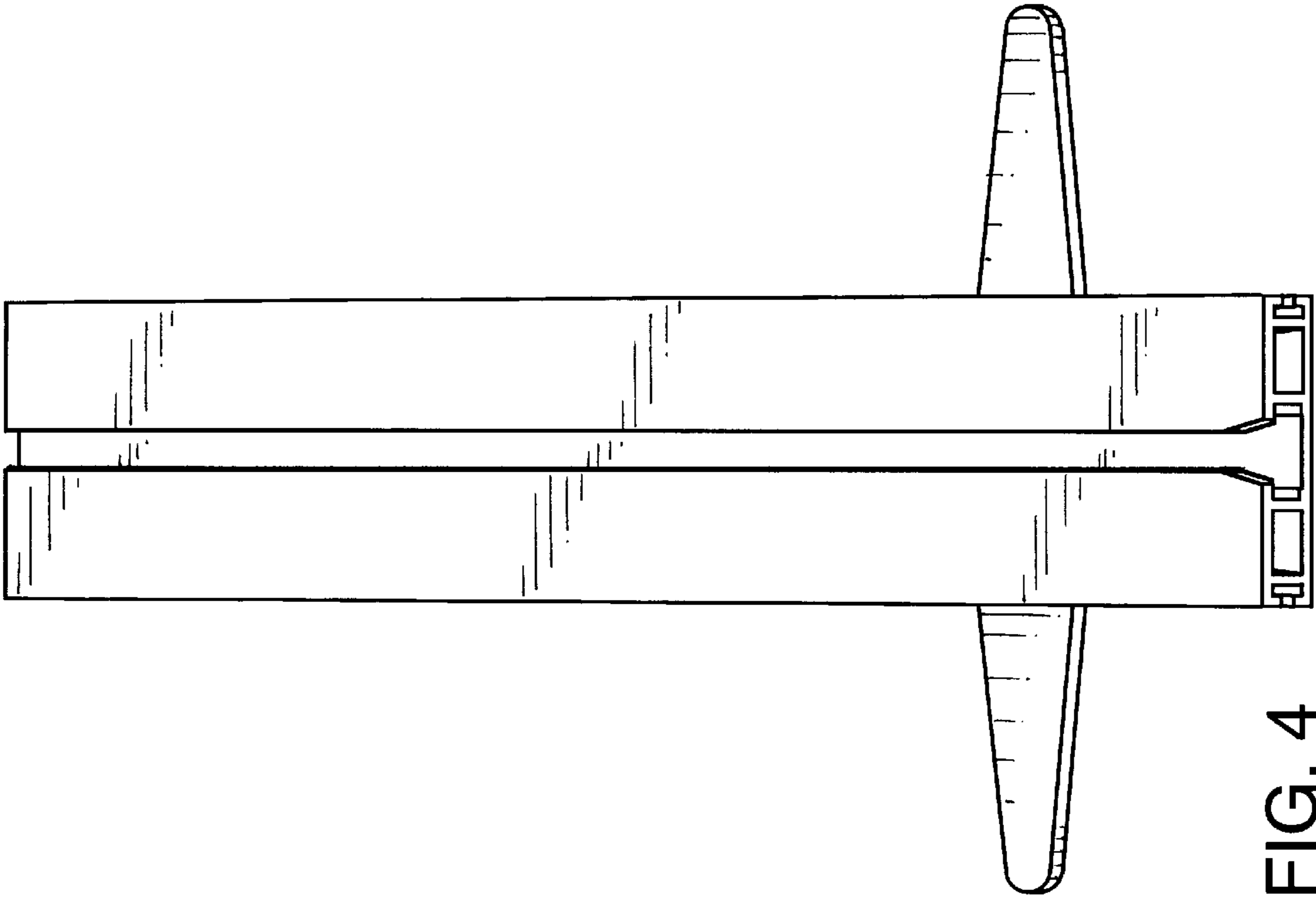


FIG. 4

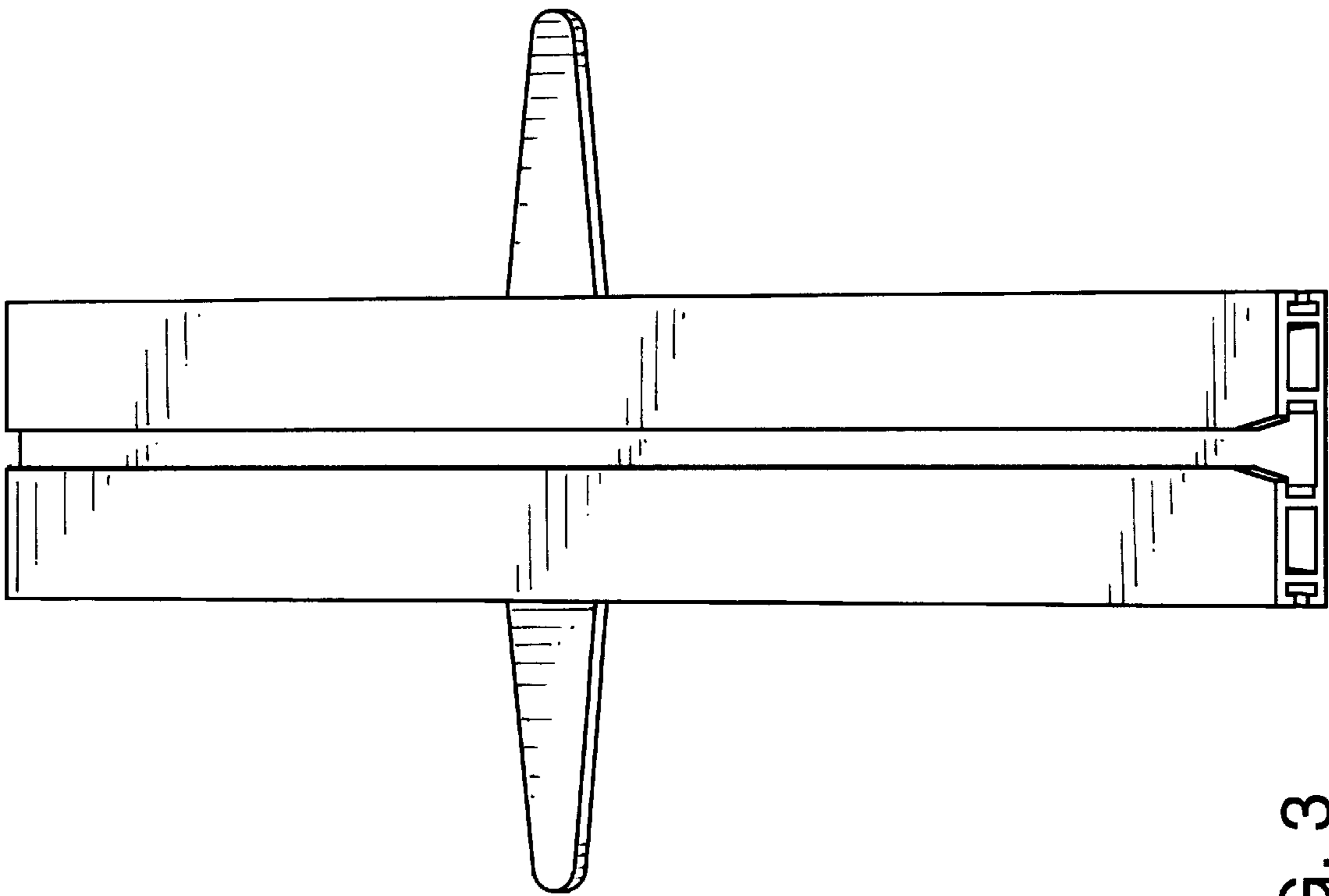


FIG. 3

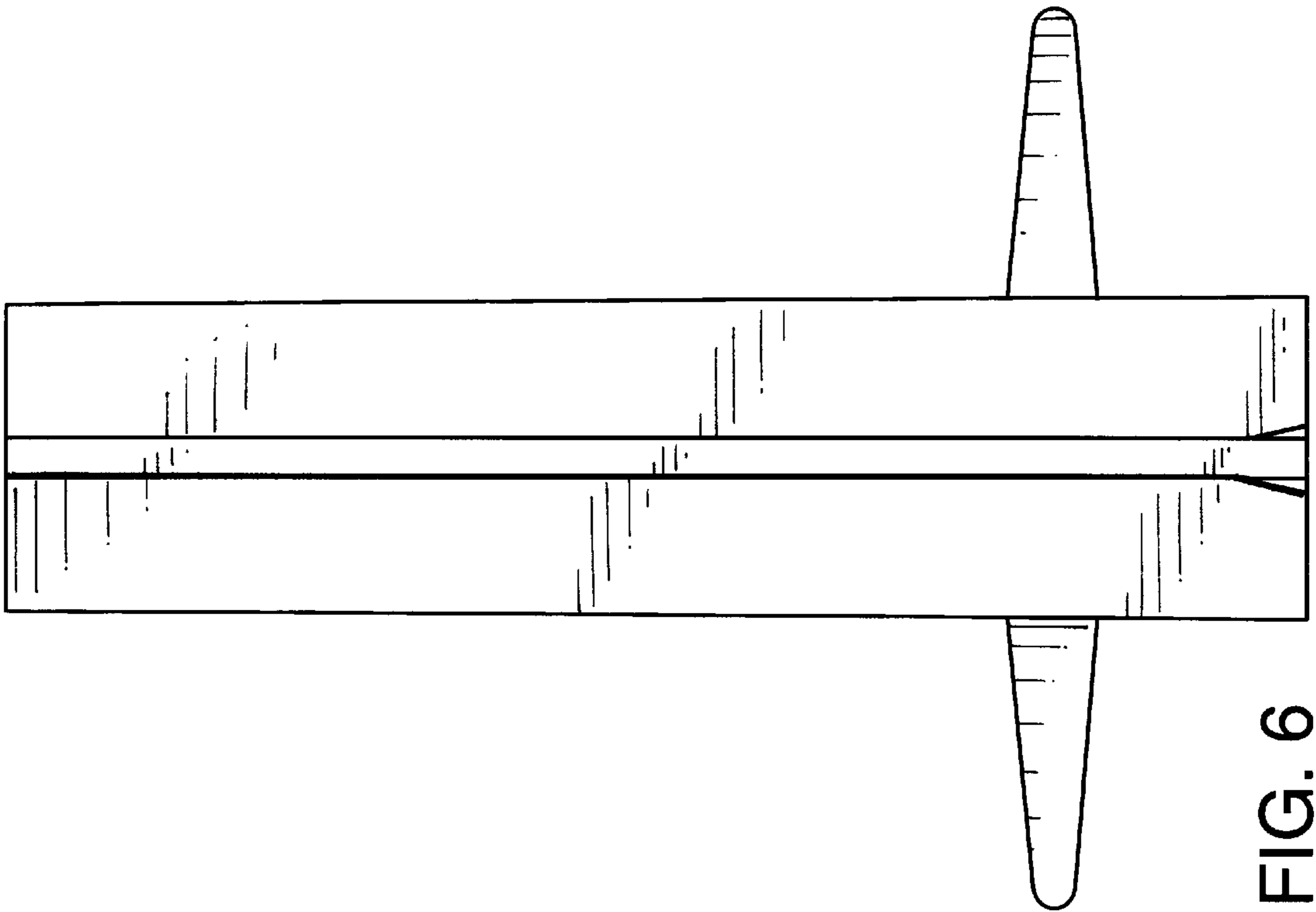


FIG. 6

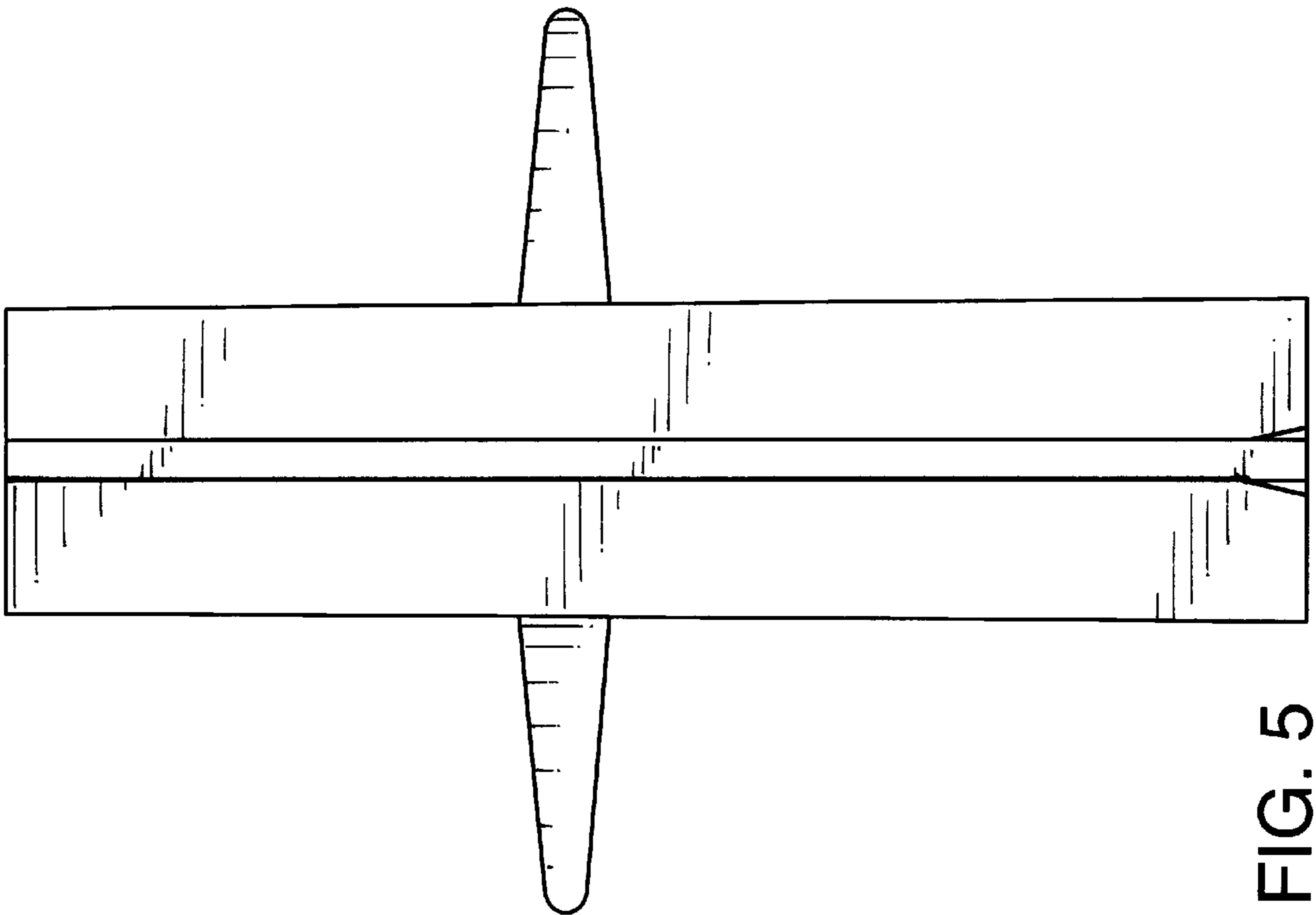


FIG. 5



FIG. 7

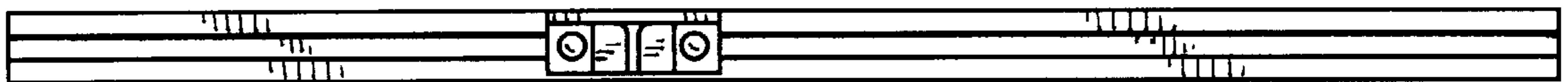


FIG. 8

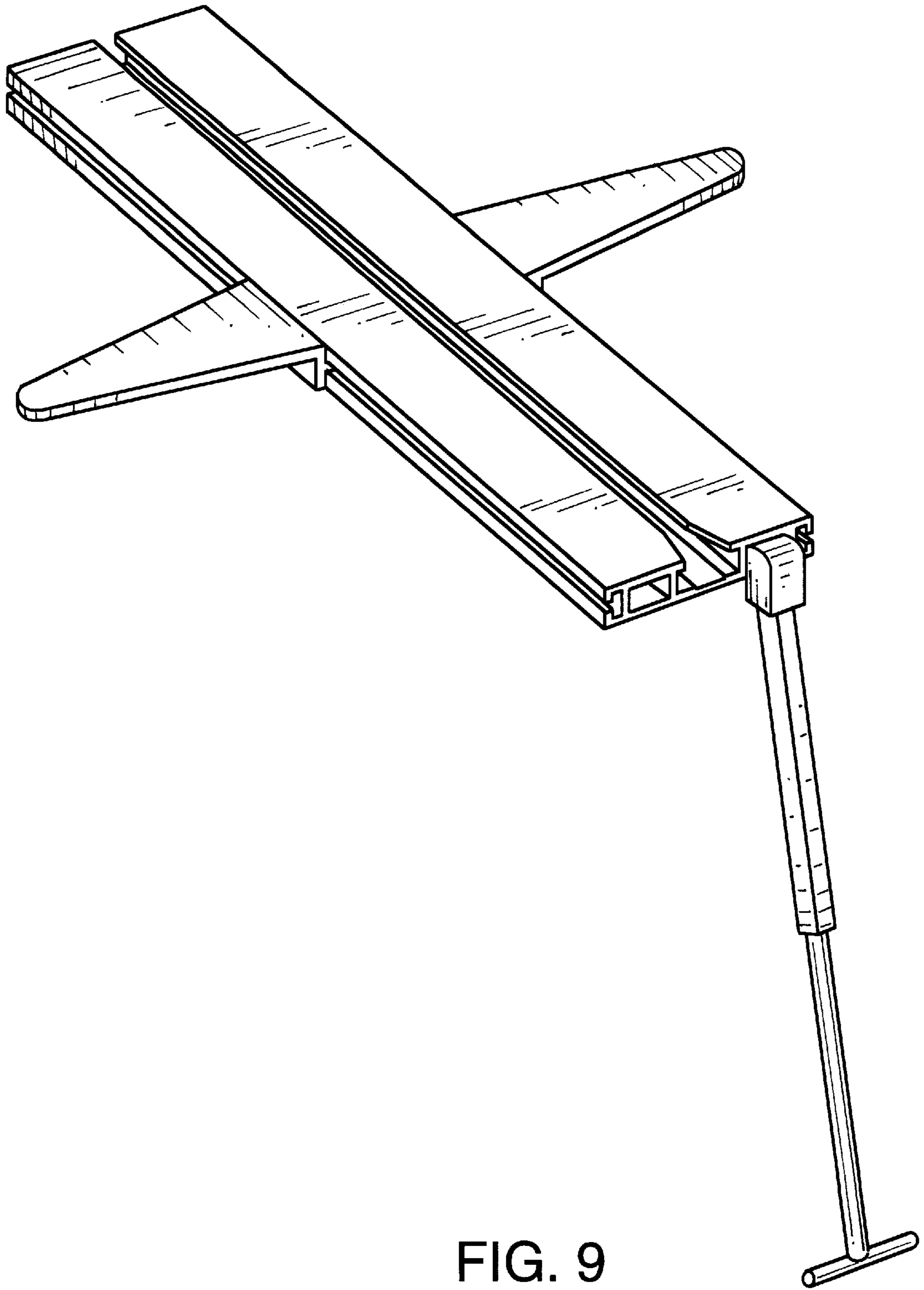


FIG. 9

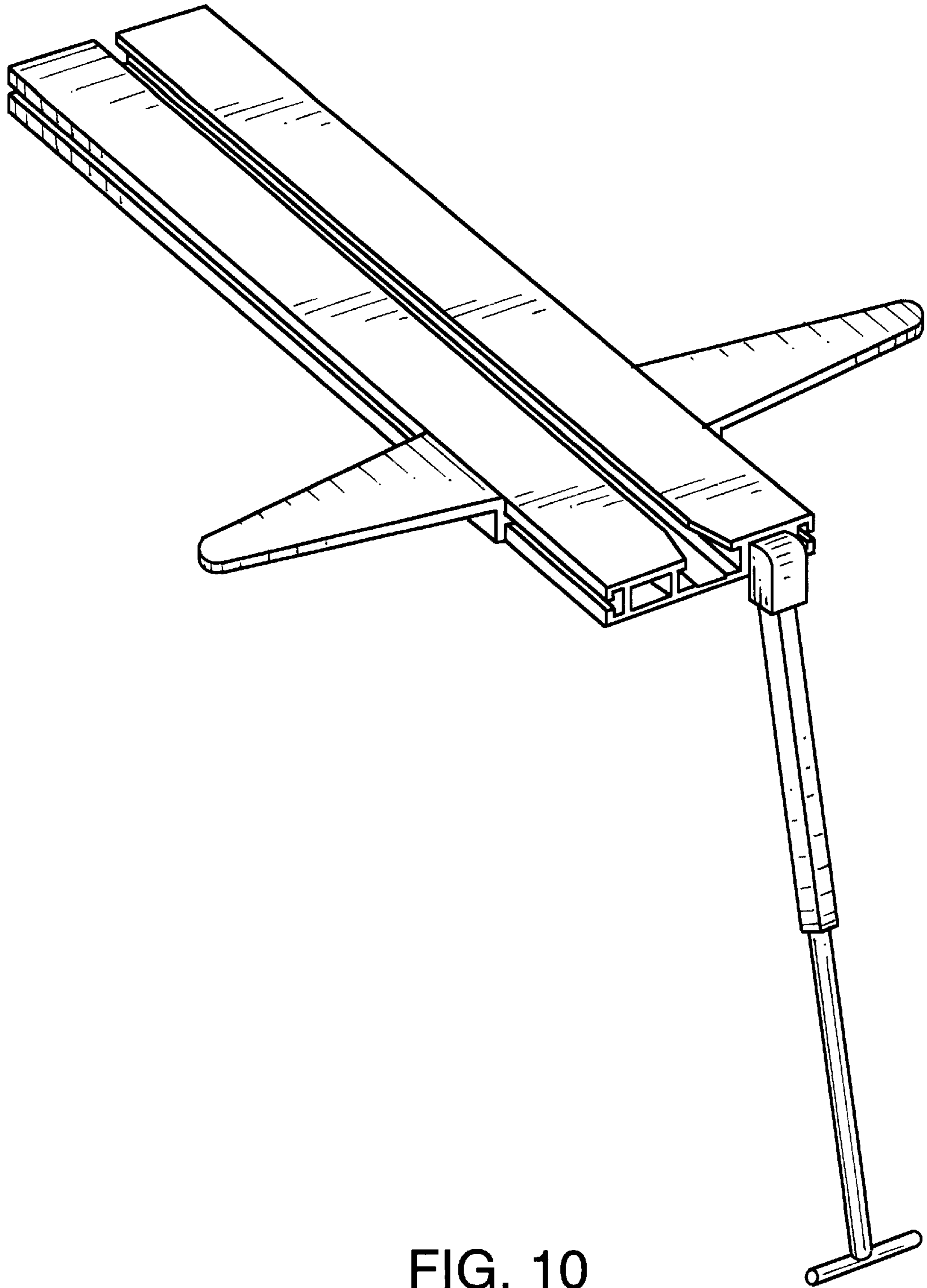


FIG. 10

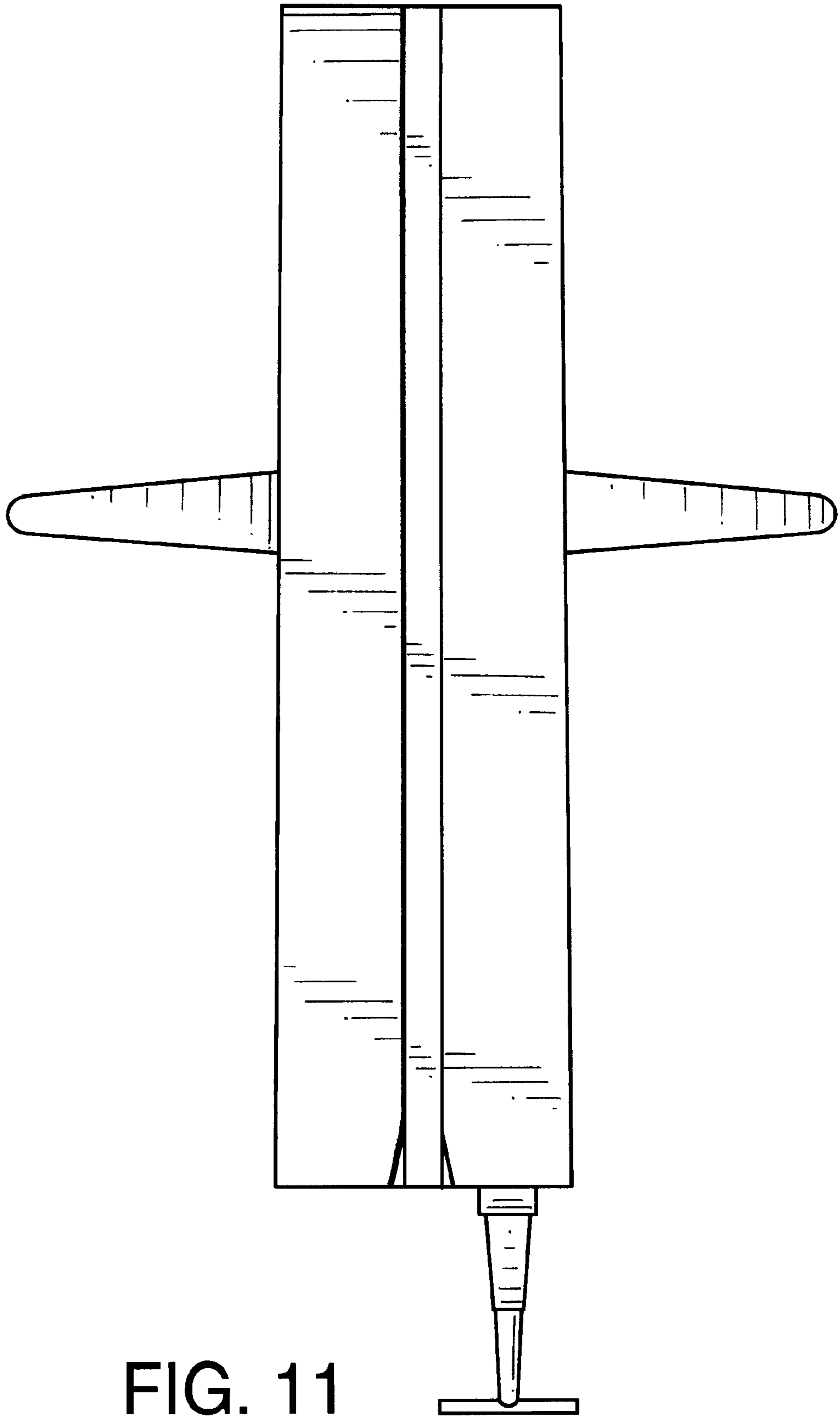


FIG. 11



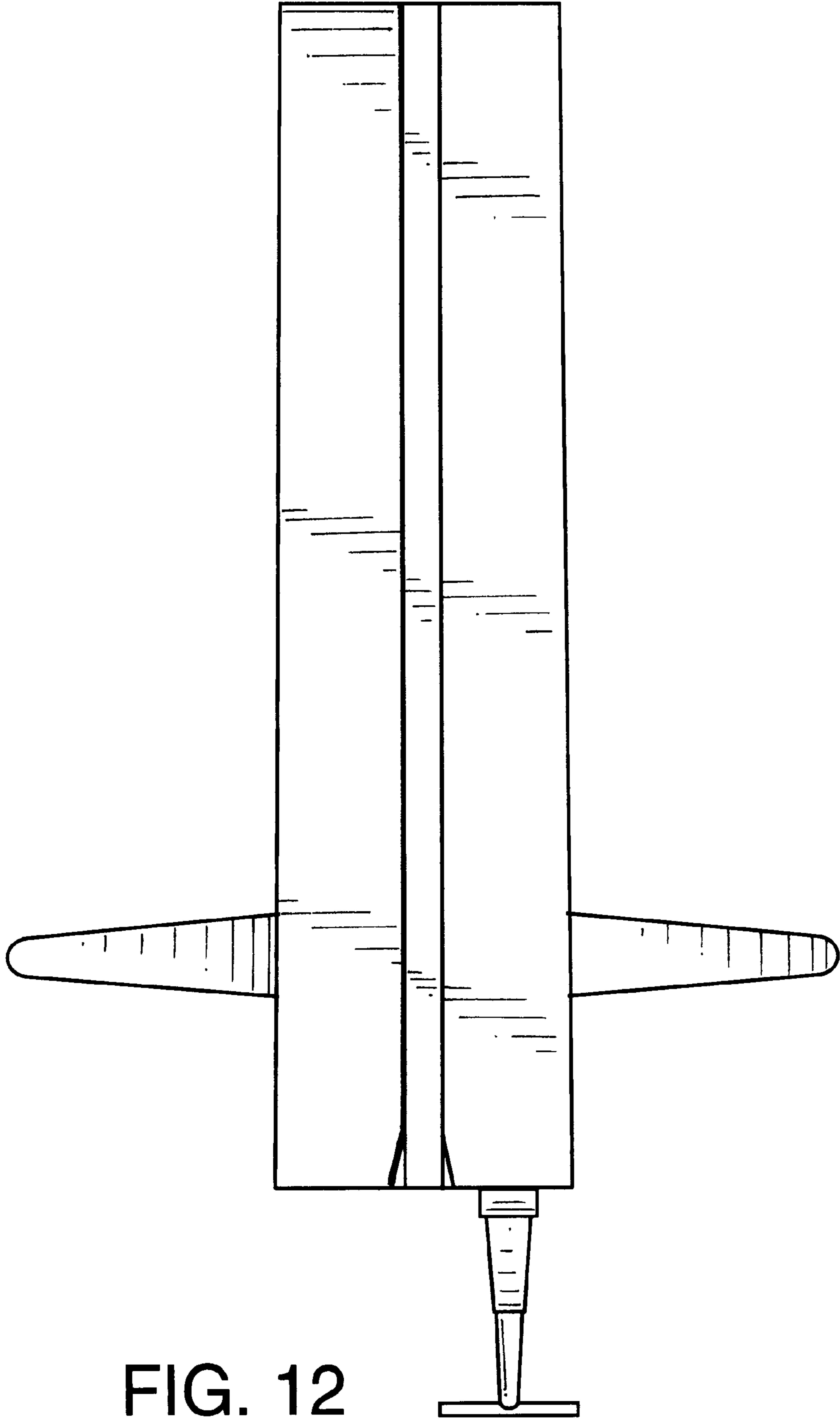


FIG. 12

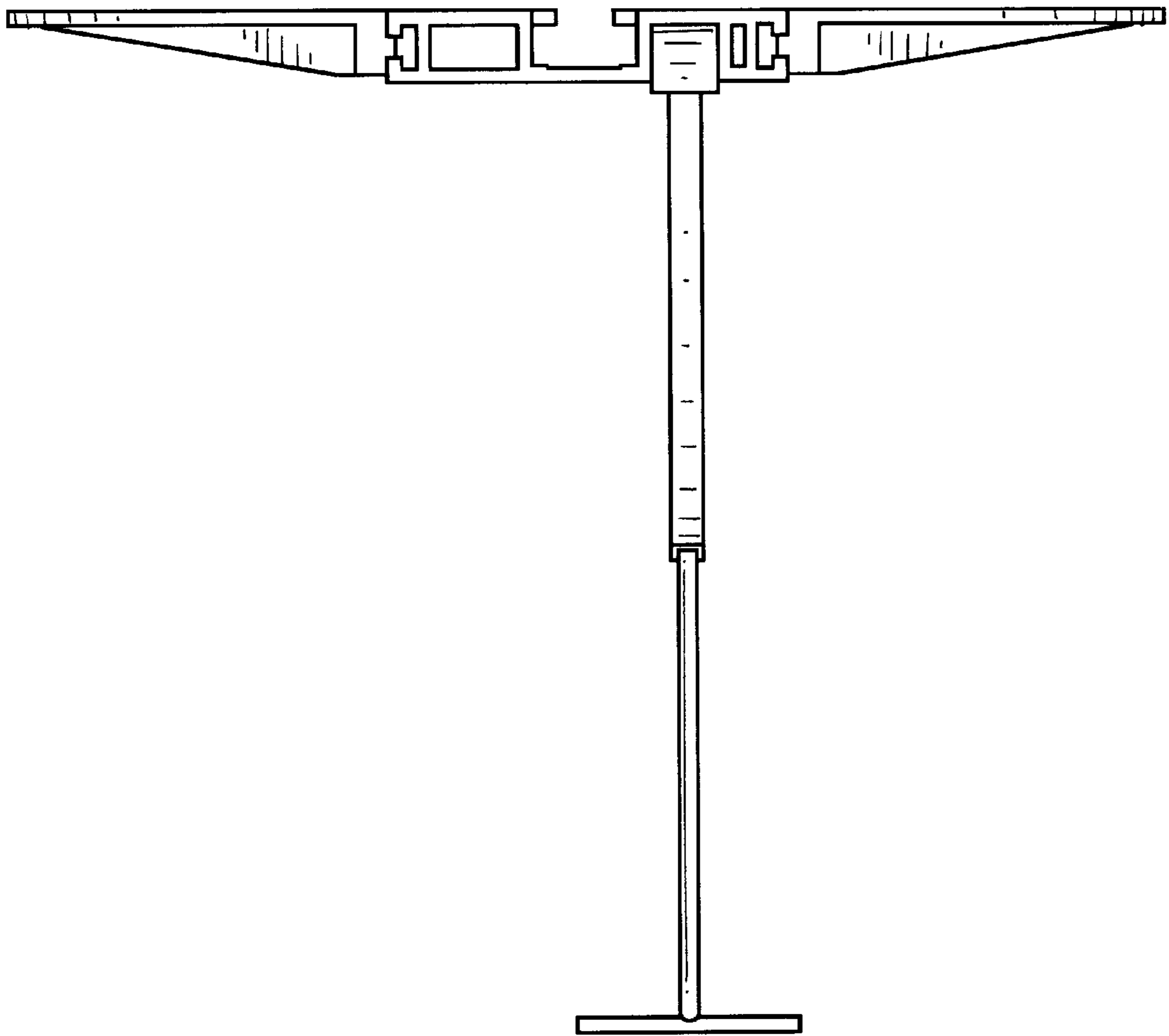


FIG. 13

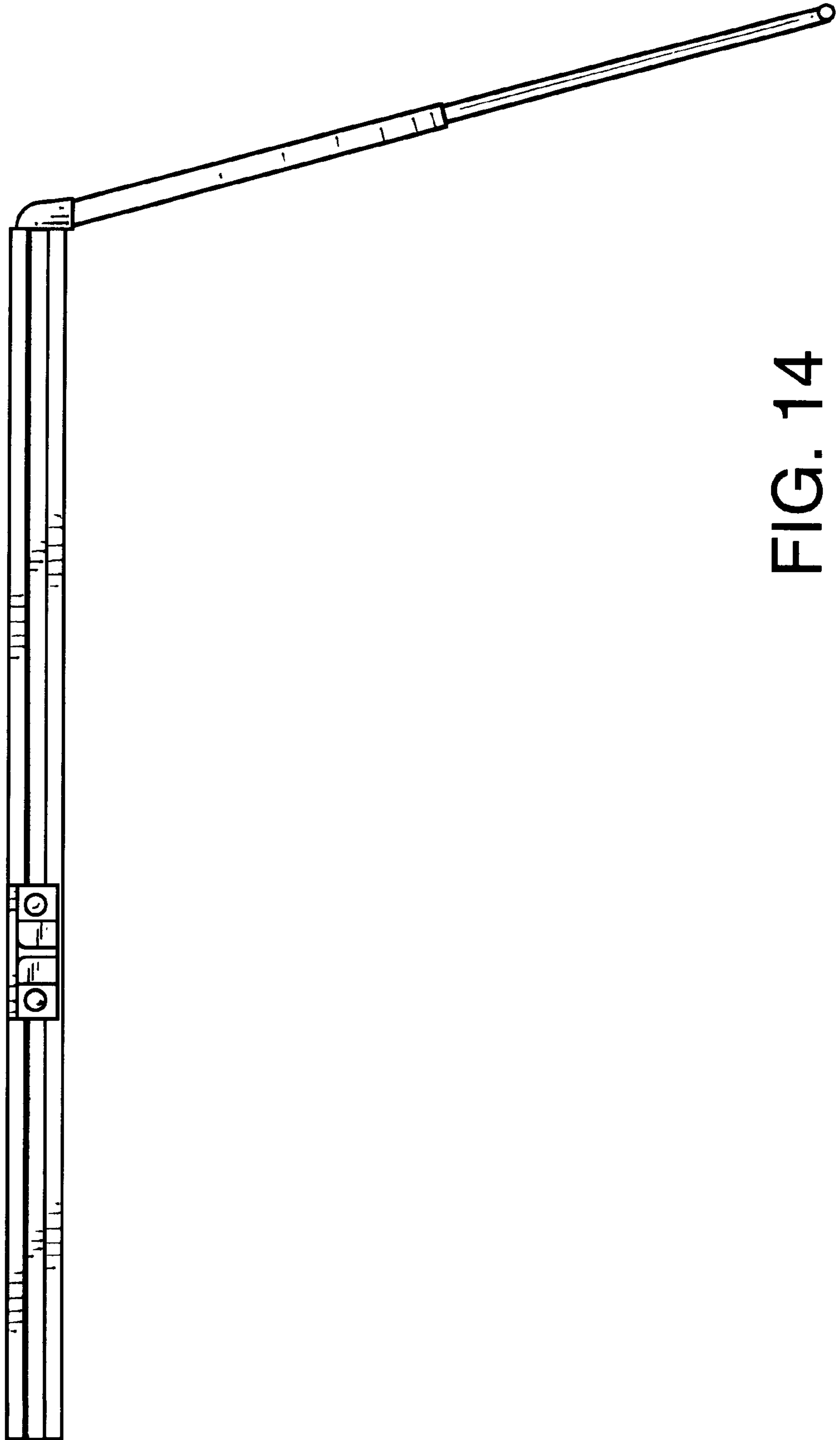


FIG. 14