



US00D416918S

United States Patent [19]

Jacobson et al.

[11] **Patent Number: Des. 416,918**

[45] **Date of Patent: ** Nov. 23, 1999**

[54] **DIE CUT LOCKING DEVICE TO HOLD TOOLS**

D. 412,511 8/1999 Lefevre D15/140

[76] Inventors: **Arthur F. Jacobson**, 1414 Jacobson Dr., Waukegan, Ill. 60085-7408; **Fred E. Boyd**, 41W. 937 Townhall Rd., Elburn, Ill. 60119

Primary Examiner—Antoine Duval Davis
Attorney, Agent, or Firm—Gardner, Carton & Douglas

[**] Term: **14 Years**

[57] **CLAIM**

The ornamental design for the die cut locking device to hold tools, as shown and described.

[21] Appl. No.: **29/098,474**

DESCRIPTION

[22] Filed: **Dec. 30, 1998**

[51] **LOC (6) Cl. 15-09**

FIG. 1 is a perspective view of a die cut locking device to hold tools showing my new design;

[52] **U.S. Cl. D15/140**

FIG. 2 is a top view thereof;

[58] **Field of Search** D15/140; D8/71;
269/1, 2, 8, 16, 47, 48, 48.1, 86, 87.3,
287, 288

FIG. 3 is a back view thereof;

FIG. 4 is a side view thereof; and,

FIG. 5 is a bottom view thereof.

[56] **References Cited**

U.S. PATENT DOCUMENTS

60,266 12/1866 Service D15/140

1 Claim, 1 Drawing Sheet

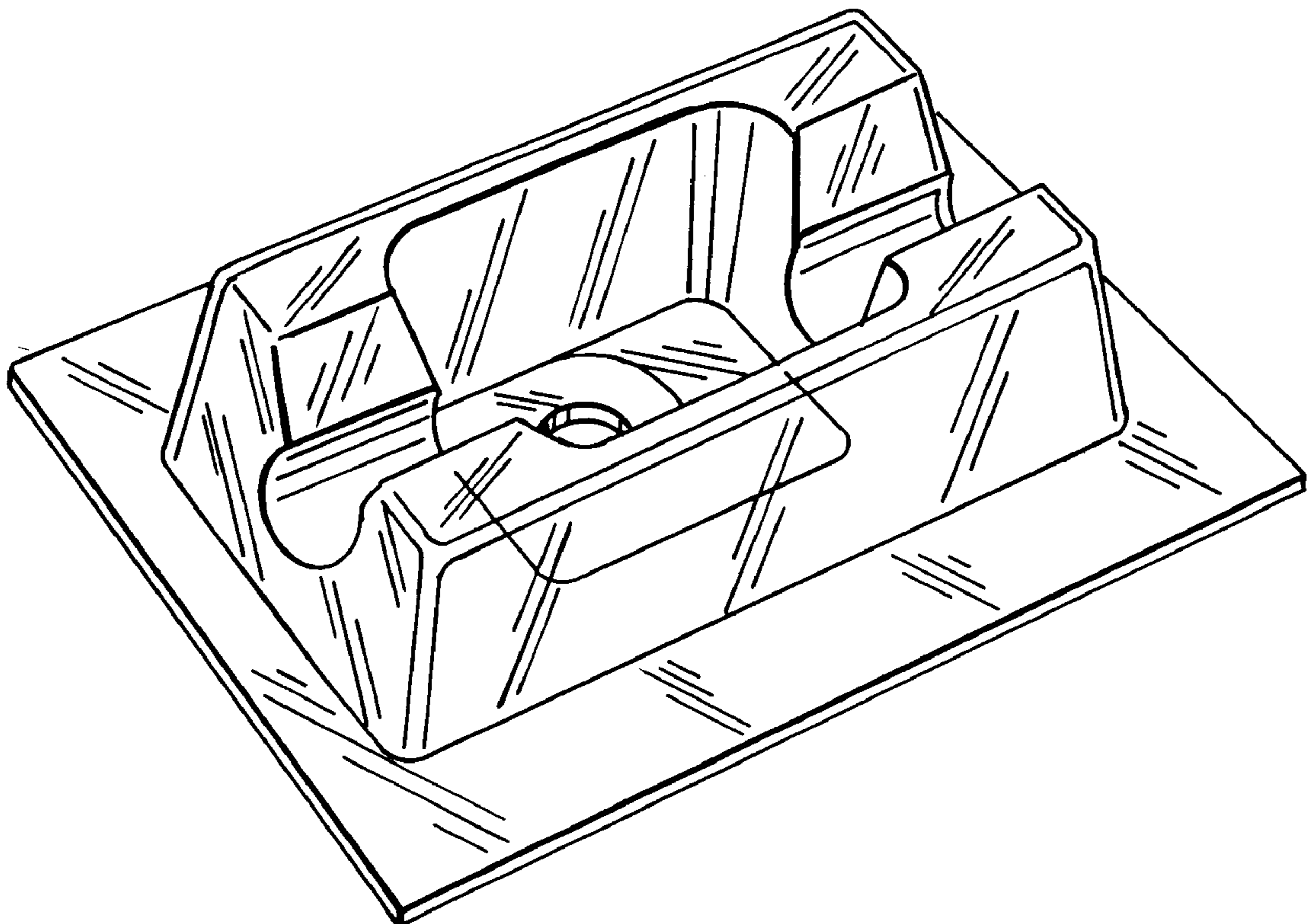


FIG. 1

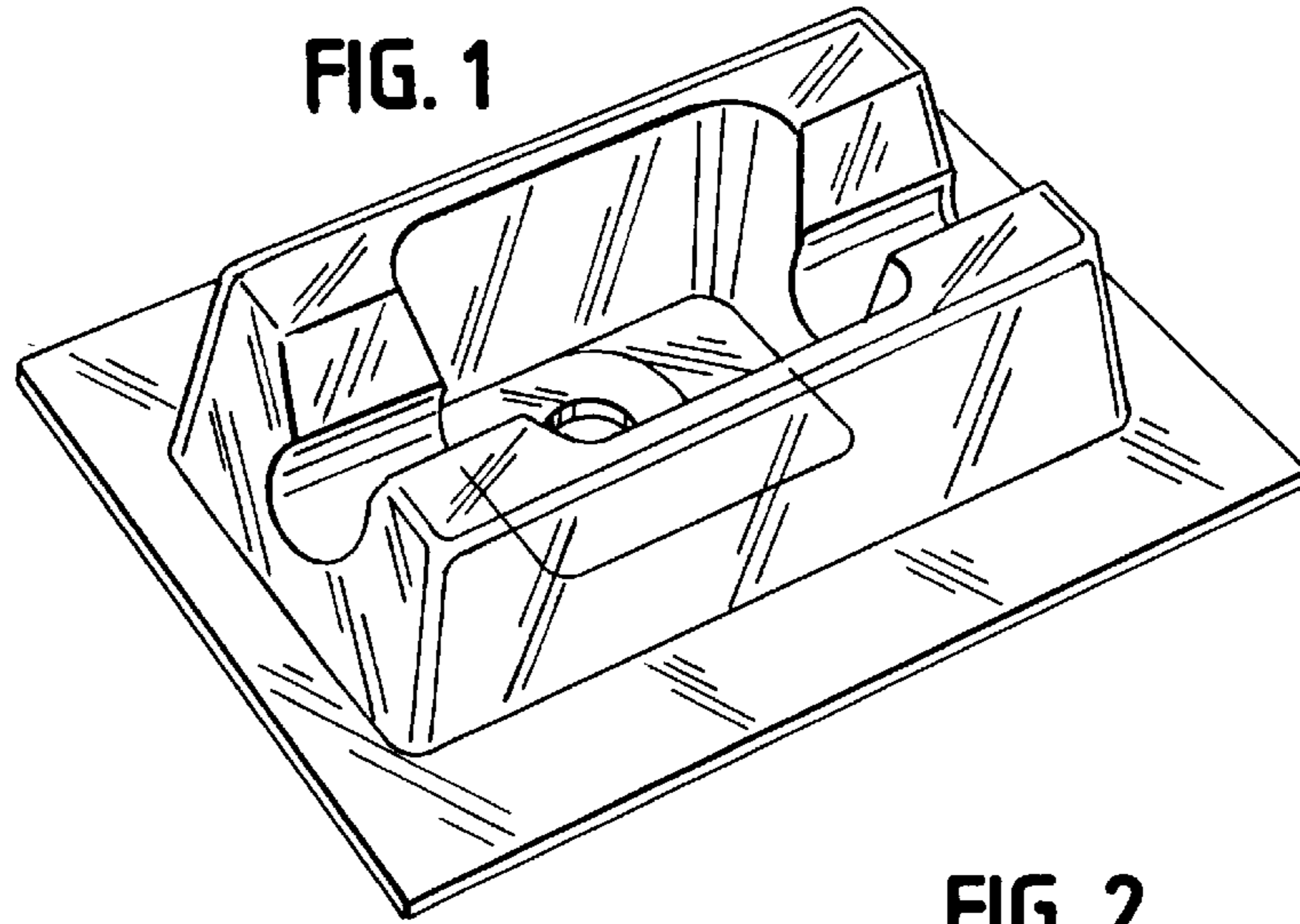


FIG. 2

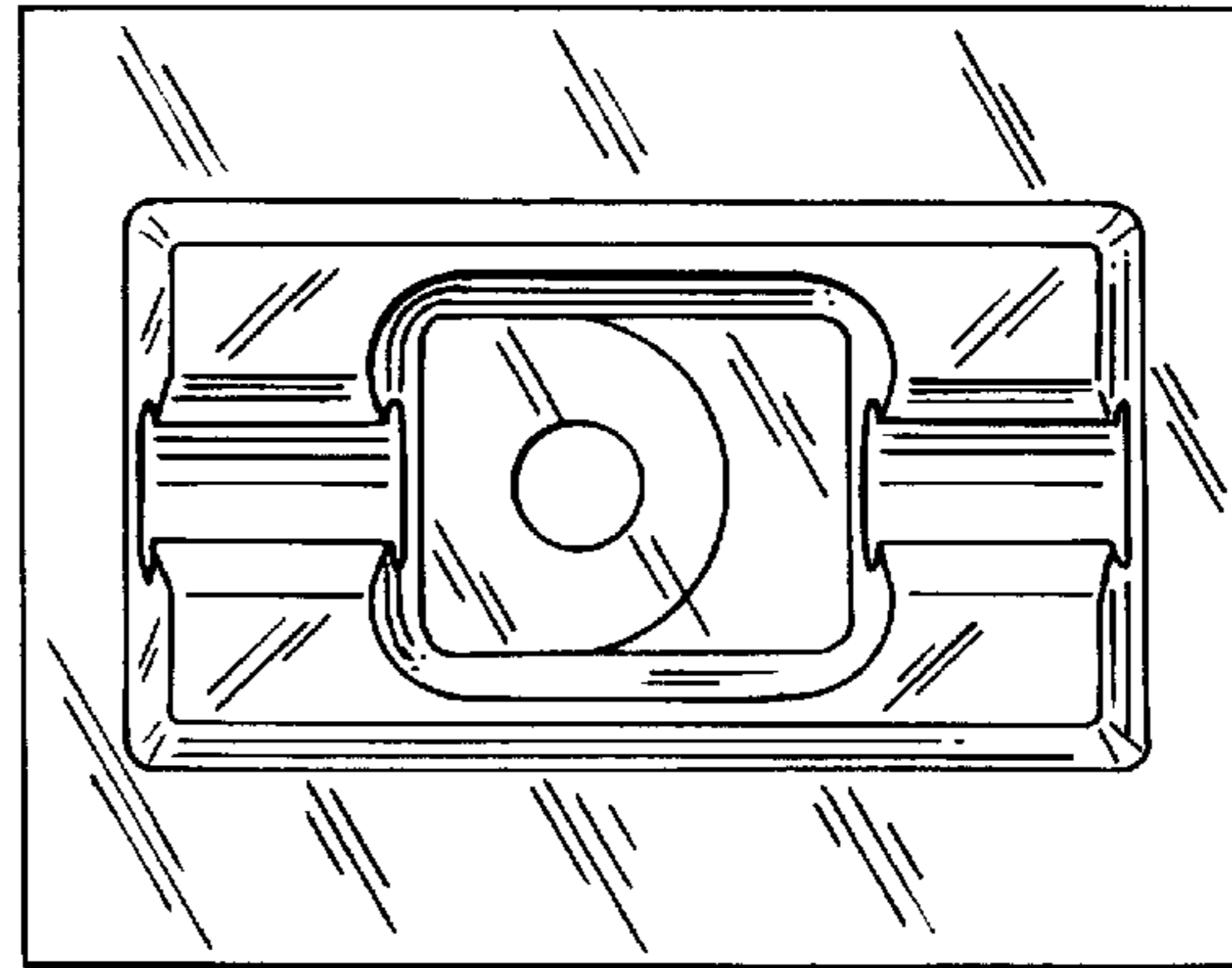


FIG. 3



FIG. 4

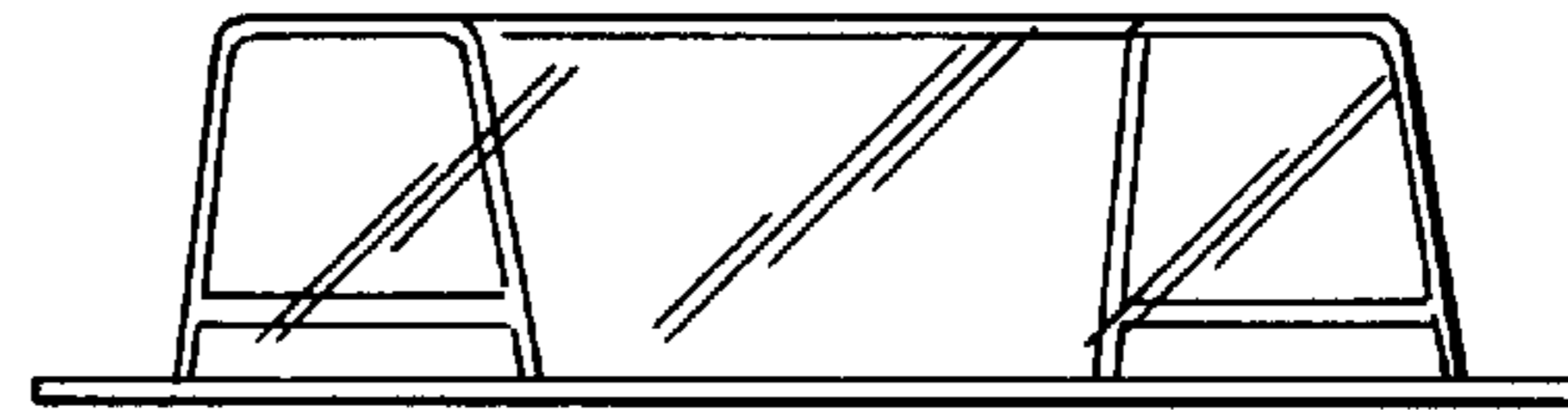


FIG. 5

