



US00D416914S

United States Patent [19] Lummis

[11] **Patent Number: Des. 416,914**

[45] **Date of Patent: ** Nov. 23, 1999**

[54] **PHONE STAND**

[76] Inventor: **Robert C. Lummis**, 315 Pioxi St.,
Copiaque, N.Y. 11726

[**] Term: **14 Years**

[21] Appl. No.: **29/103,878**

[22] Filed: **Apr. 23, 1999**

[51] **LOC (6) Cl. 14-03**

[52] **U.S. Cl. D14/251; D19/37**

[58] **Field of Search** D14/137, 138,
D14/148, 147, 149-151, 140-142, 240,
241, 251, 253, 252; 379/433-436, 419-420,
428, 440, 454, 455, 446, 447; D13/107,
108; 320/110, 113, 114, 115; D6/475; D19/87;
248/477; 108/26, 32; D8/380, 354

[56] **References Cited**

U.S. PATENT DOCUMENTS

- D. 160,213 9/1950 Samuelson D8/354
- D. 277,662 2/1985 Huntington et al. D13/107
- D. 288,281 2/1987 Spicer D8/380 X

- D. 316,416 4/1991 Cant et al. D14/252
- D. 322,061 12/1991 Watanabe D13/108
- D. 350,330 9/1994 Peterson D13/107
- D. 353,371 12/1994 Delhaes D14/149
- D. 363,284 10/1995 Solomita D14/149
- 1,238,899 9/1917 Enell 248/477
- 5,887,528 3/1999 Lummis 108/26

Primary Examiner—Jeffrey Asch
Attorney, Agent, or Firm—Joseph N. Breaux

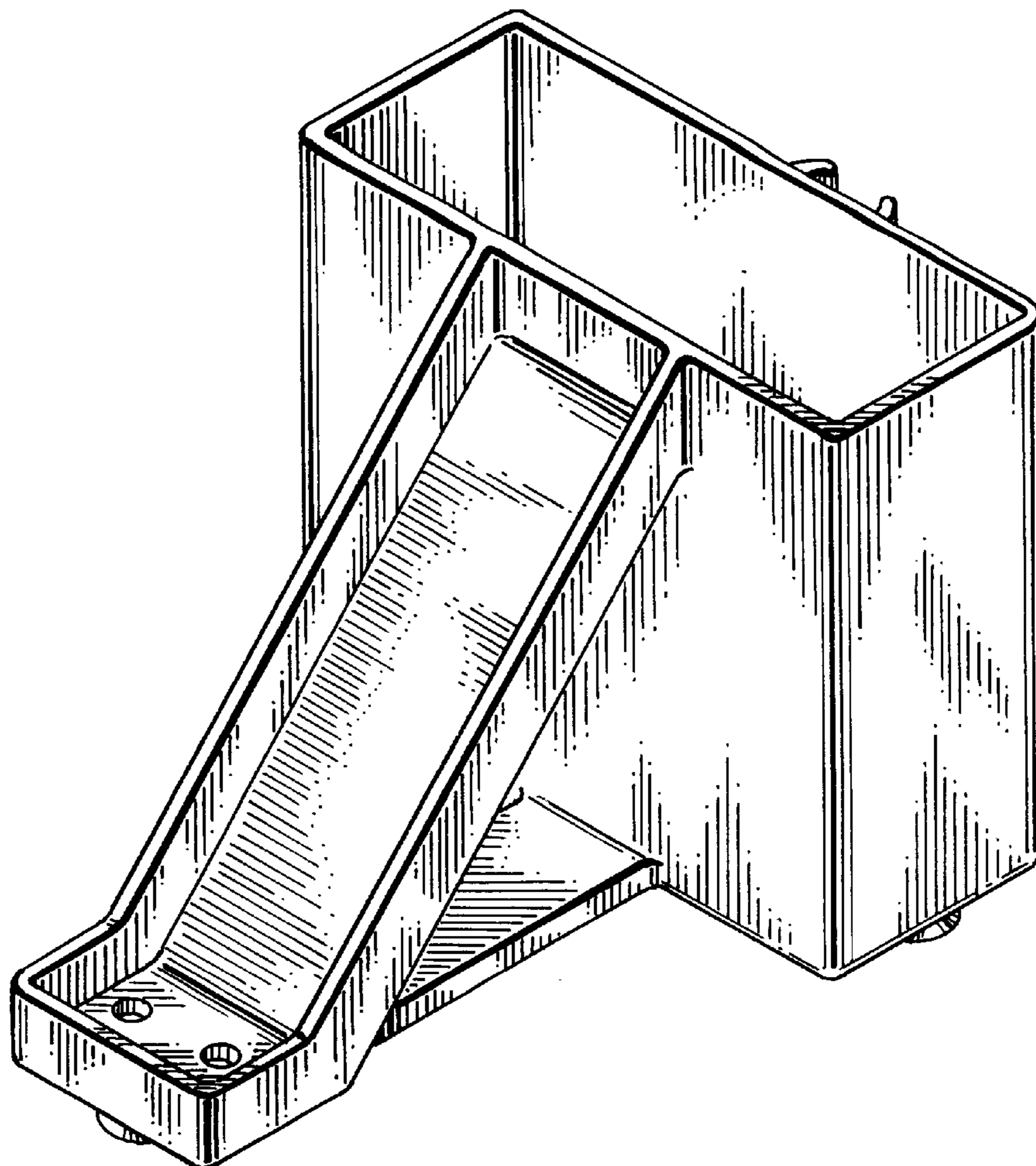
[57] **CLAIM**

The ornamental design for a phone stand, as shown and described.

DESCRIPTION

FIG. 1 is a perspective view of my phone stand design.
FIG. 2 is a left side plan view of my phone stand design; the right side being a mirror image of the left side.
FIG. 3 is a top side plan view of my phone stand design.
FIG. 4 is a underside plan view of my phone stand design.
FIG. 5 is a front side plan view of my phone stand design; and,
FIG. 6 is a back side plan view of my phone stand design.

1 Claim, 3 Drawing Sheets



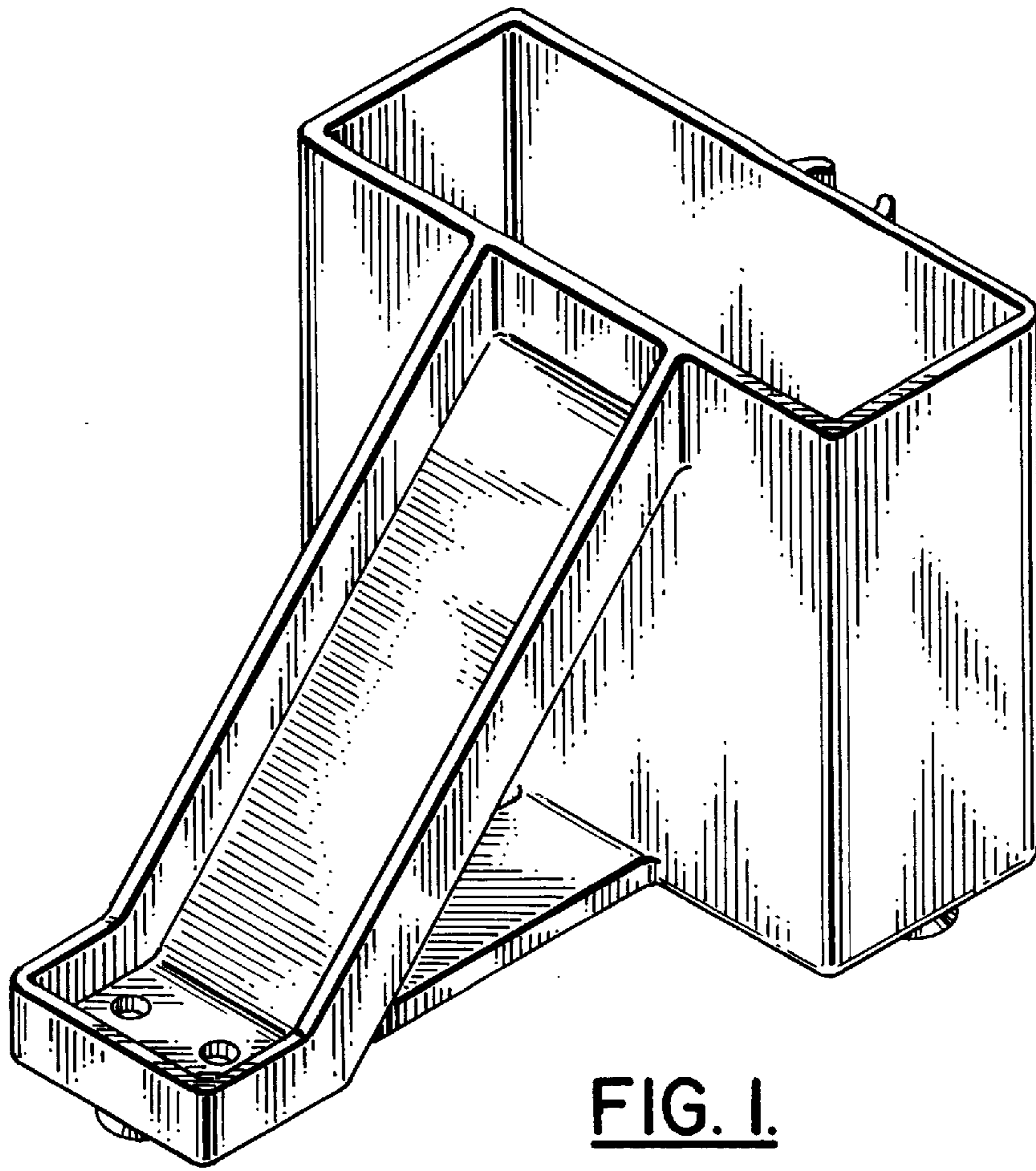


FIG. 1.

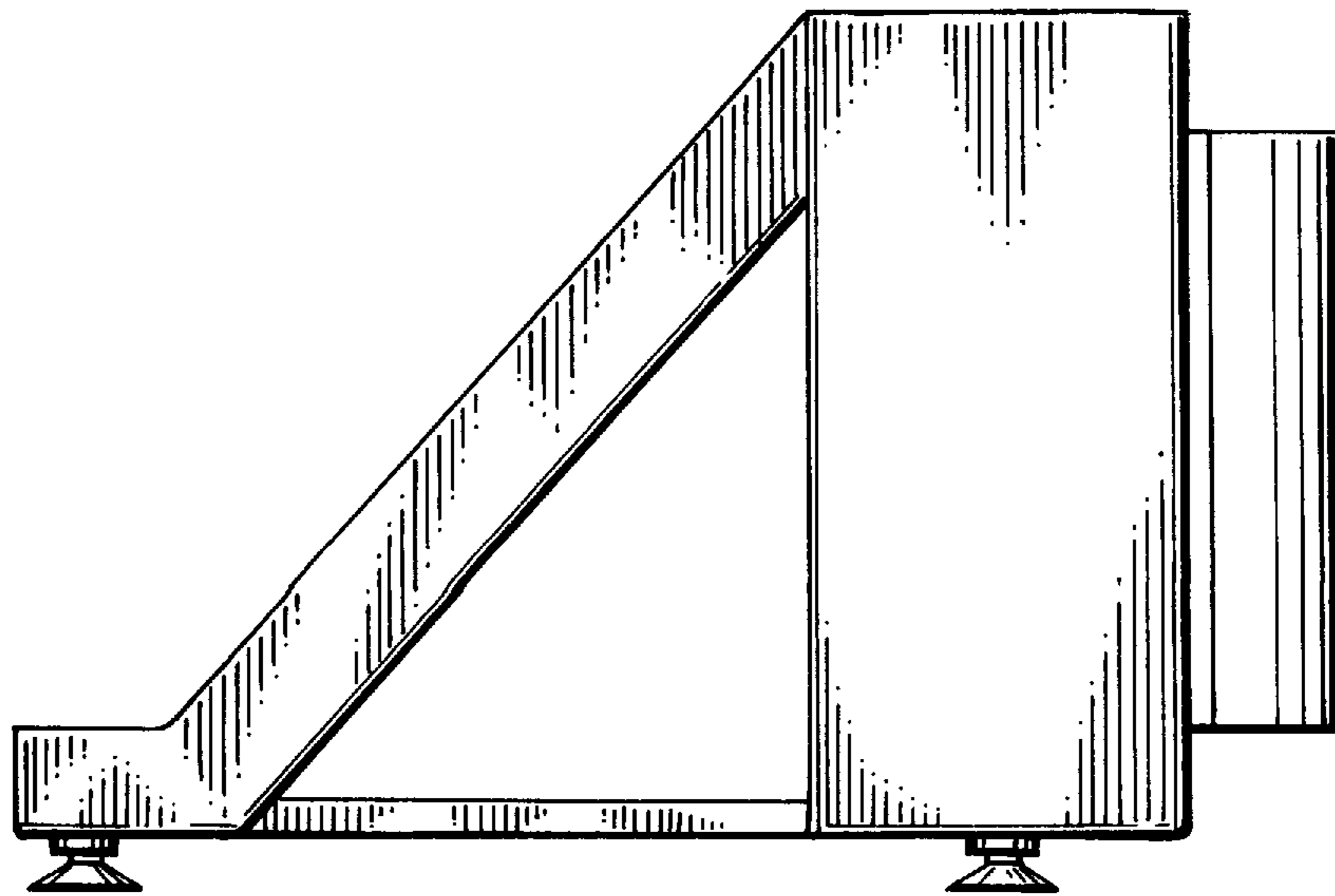


FIG. 2.

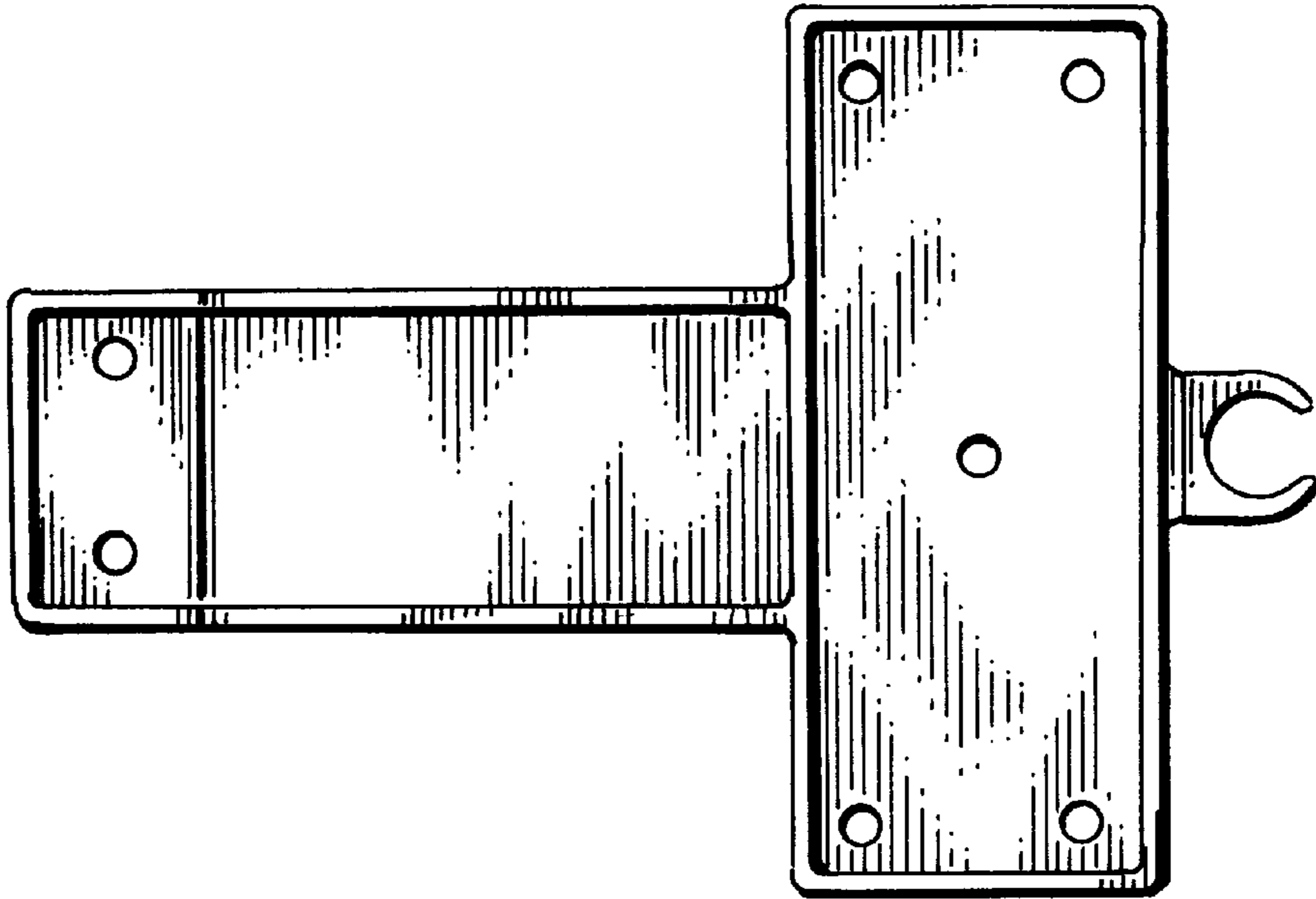


FIG. 3.

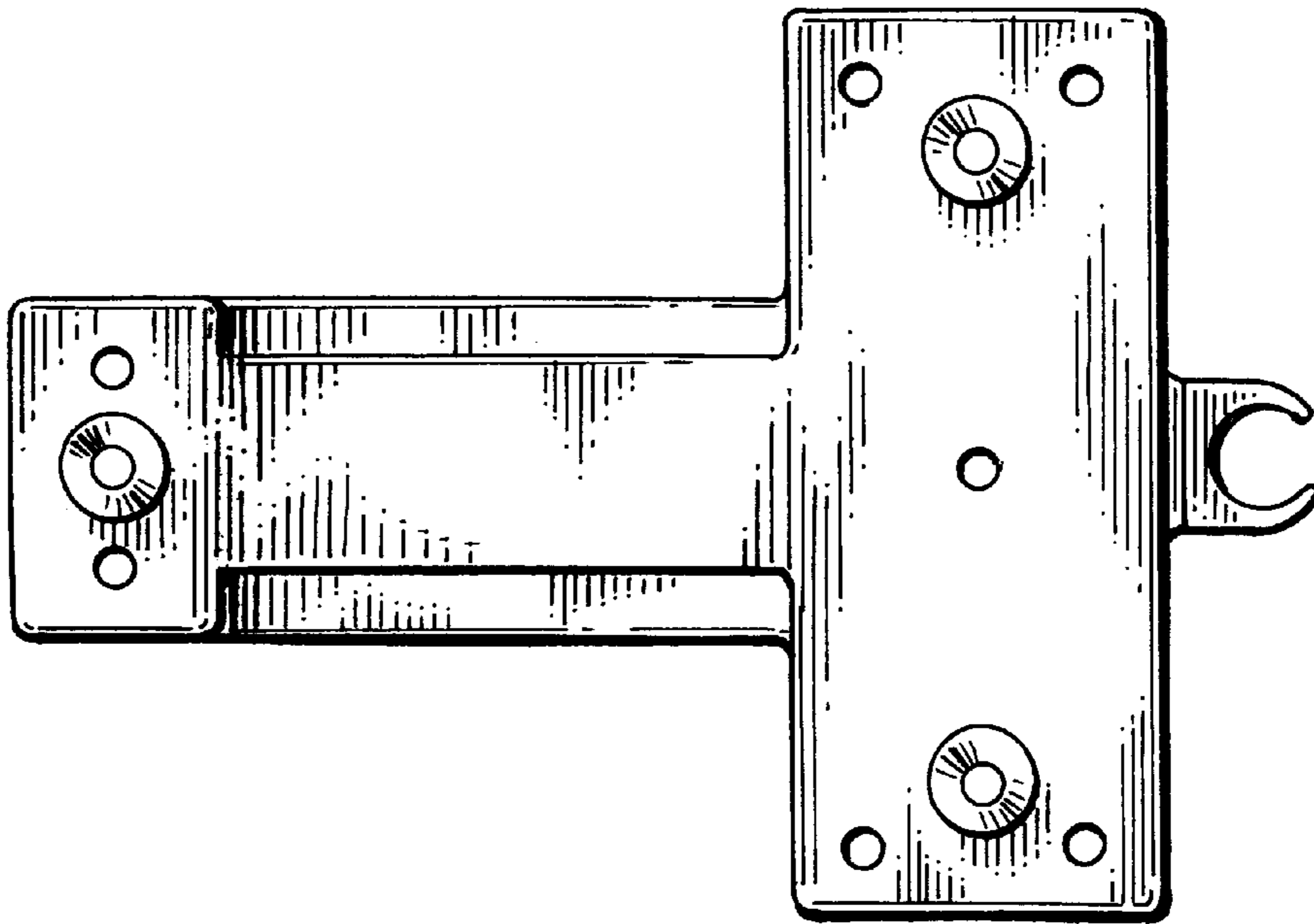


FIG. 4.

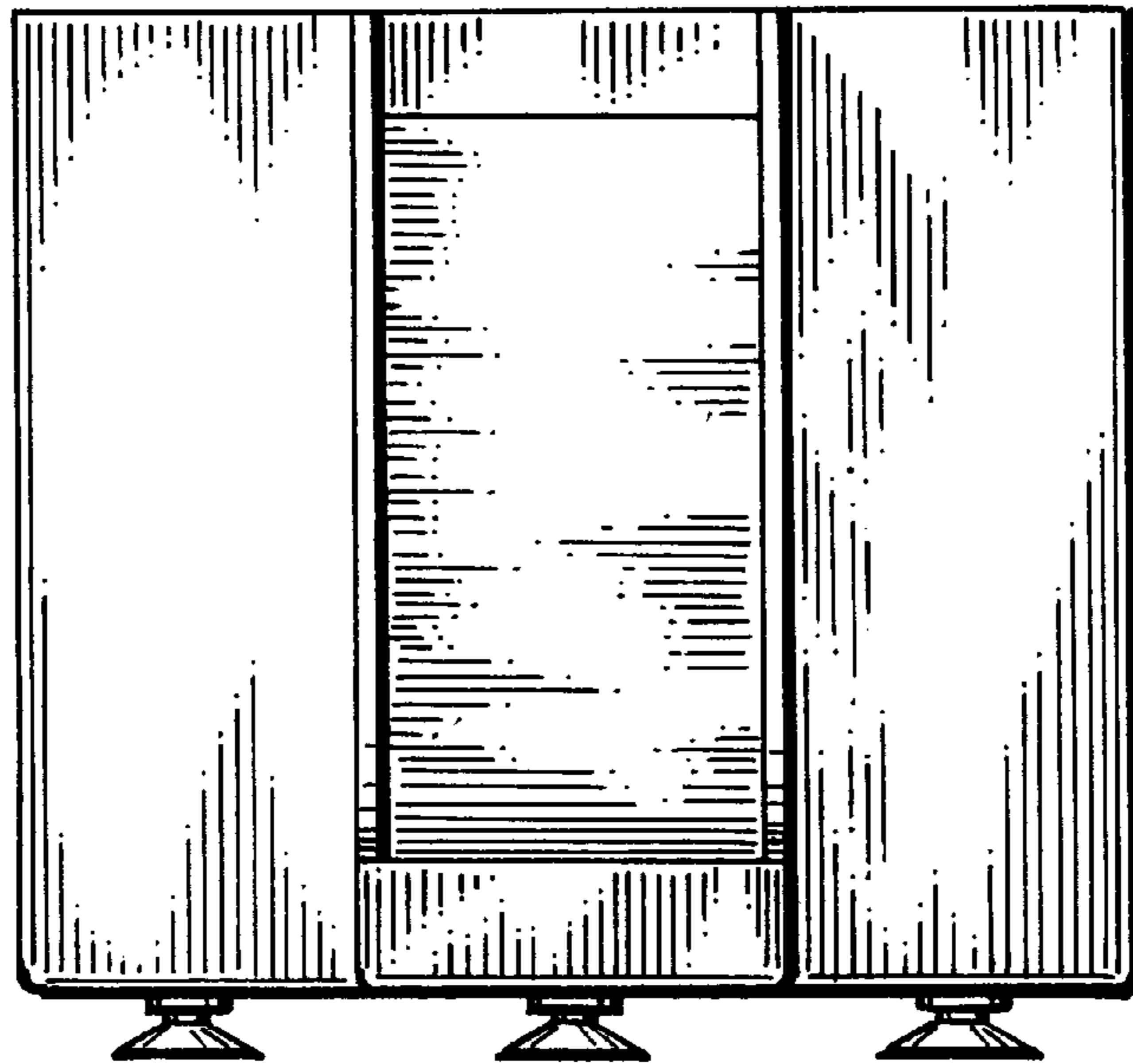


FIG. 5.

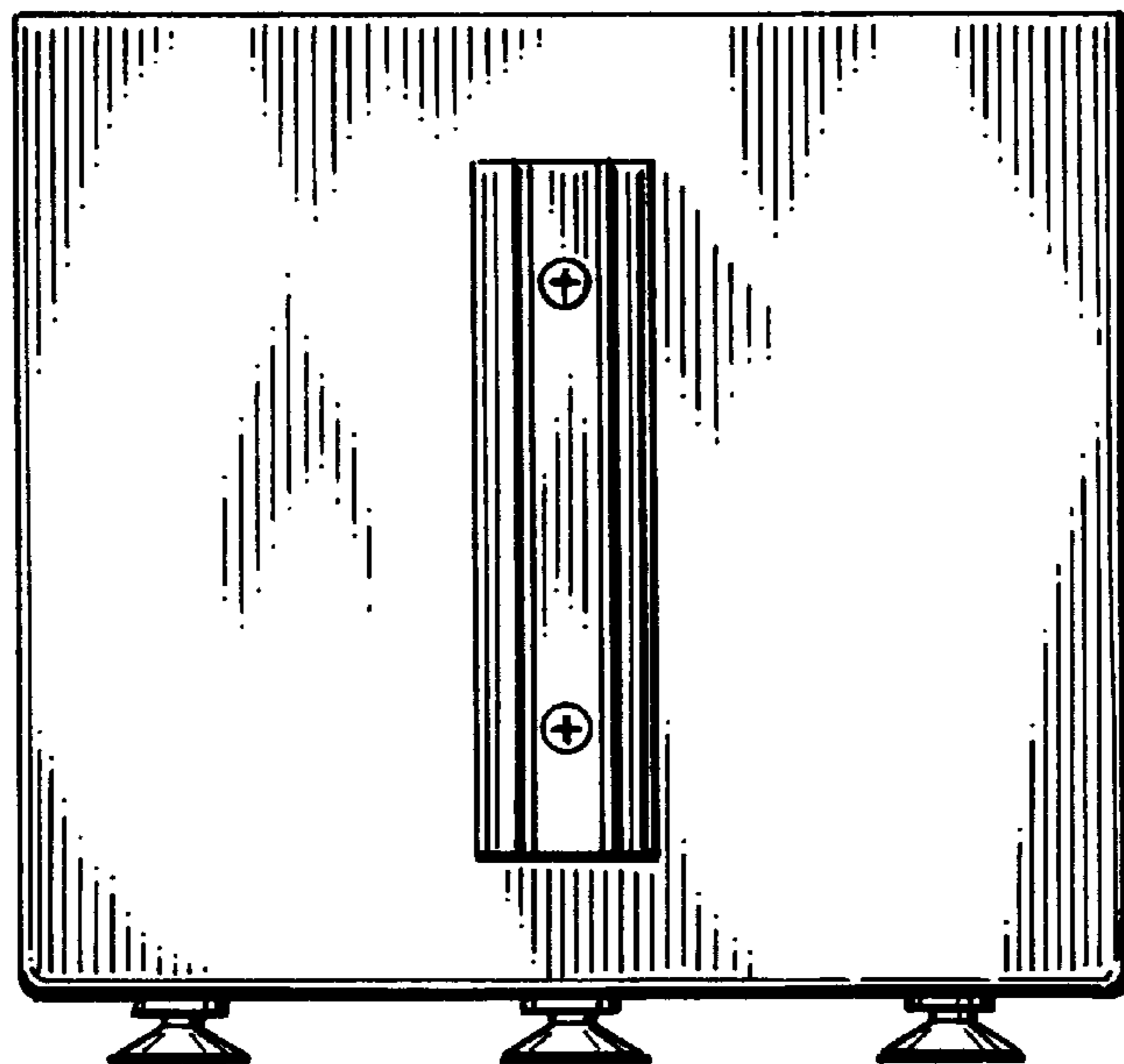


FIG. 6.