



US00D416910S

United States Patent [19] Vasquez

[11] **Patent Number: Des. 416,910**

[45] **Date of Patent: ** Nov. 23, 1999**

[54] **REMOTE CONTROL**

[75] Inventor: **Jose S. Vasquez**, Plano, Tex.

[73] Assignee: **AMX Corporation**, Dallas, Tex.

[**] Term: **14 Years**

[21] Appl. No.: **29/089,844**

[22] Filed: **Jun. 24, 1998**

[51] **LOC (6) Cl.** **14-03**

[52] **U.S. Cl.** **D14/218**

[58] **Field of Search** D14/124, 217,
D14/218, 299, 191, 117.1; D10/104, 106;
D13/168; D21/333, 329; 348/734; 455/151.1-151.4,
152.1, 352-355; 200/331

[56] **References Cited**

U.S. PATENT DOCUMENTS

D. 375,743	11/1996	Nishii et al.	D14/191
D. 398,608	9/1998	Nguyen et al.	D14/191
D. 400,539	11/1998	Hippen	D14/218

OTHER PUBLICATIONS

Home Automation Systems, Inc., Catalogp. 88, Touchscreen Learning IR Remote, May 1999.

Primary Examiner—Louis S. Zarfes

Assistant Examiner—G. Andoll

Attorney, Agent, or Firm—Marc A. Hubbard; Munsch Hardt Kopf & Harr, P.C.

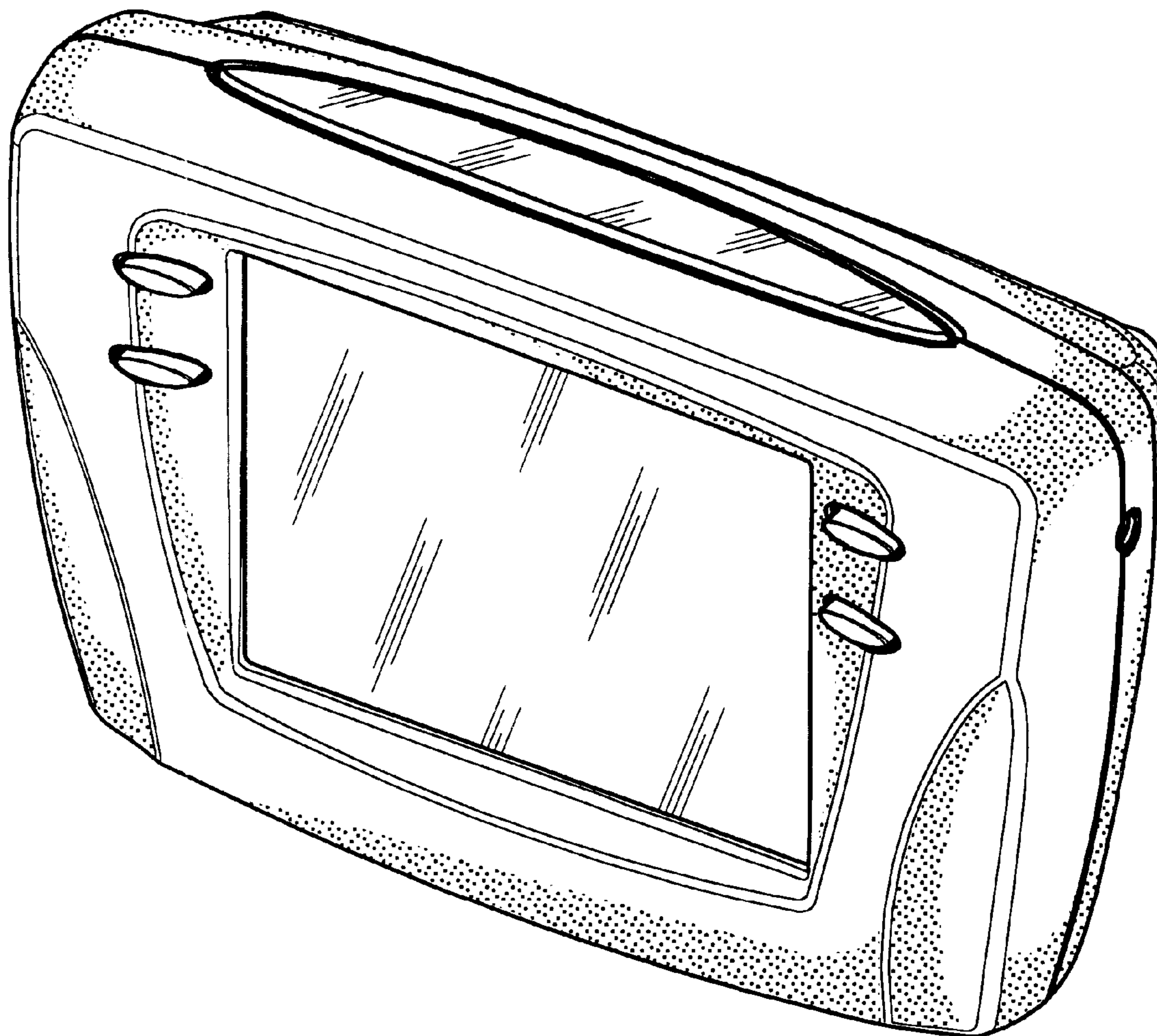
[57] **CLAIM**

The ornamental design for a remote control, as shown and described.

DESCRIPTION

FIG. 1 is a top perspective view of a remote control design; FIG. 2 is a bottom perspective view thereof; FIG. 3 is a top plan view thereof; FIG. 4 is a rear elevational view thereof; FIG. 5 is a front elevational view thereof; FIG. 6 is a bottom plan view thereof; FIG. 7 is a left side elevational view thereof; and, FIG. 8 is a right side elevational view thereof.

1 Claim, 3 Drawing Sheets



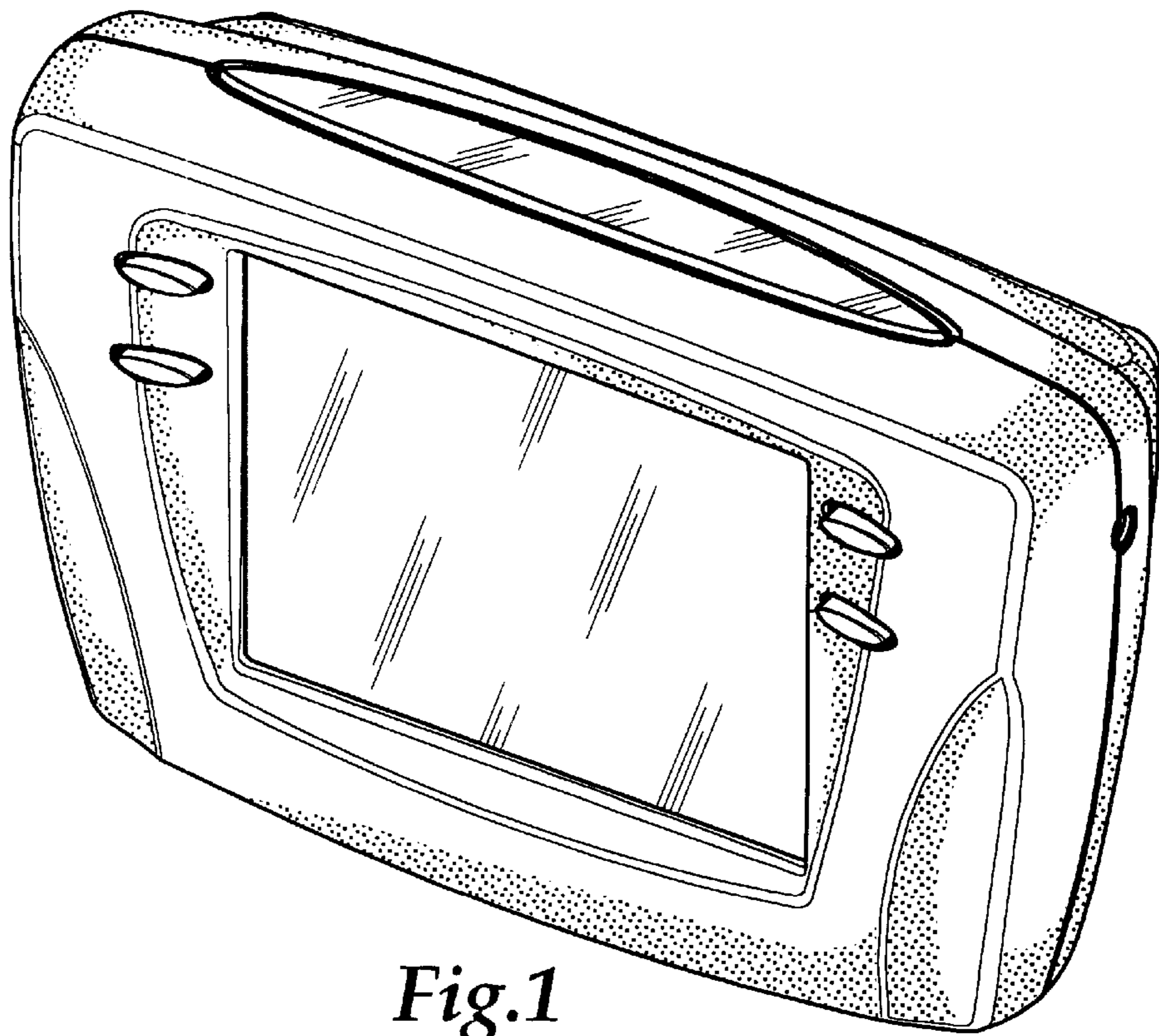


Fig. 1

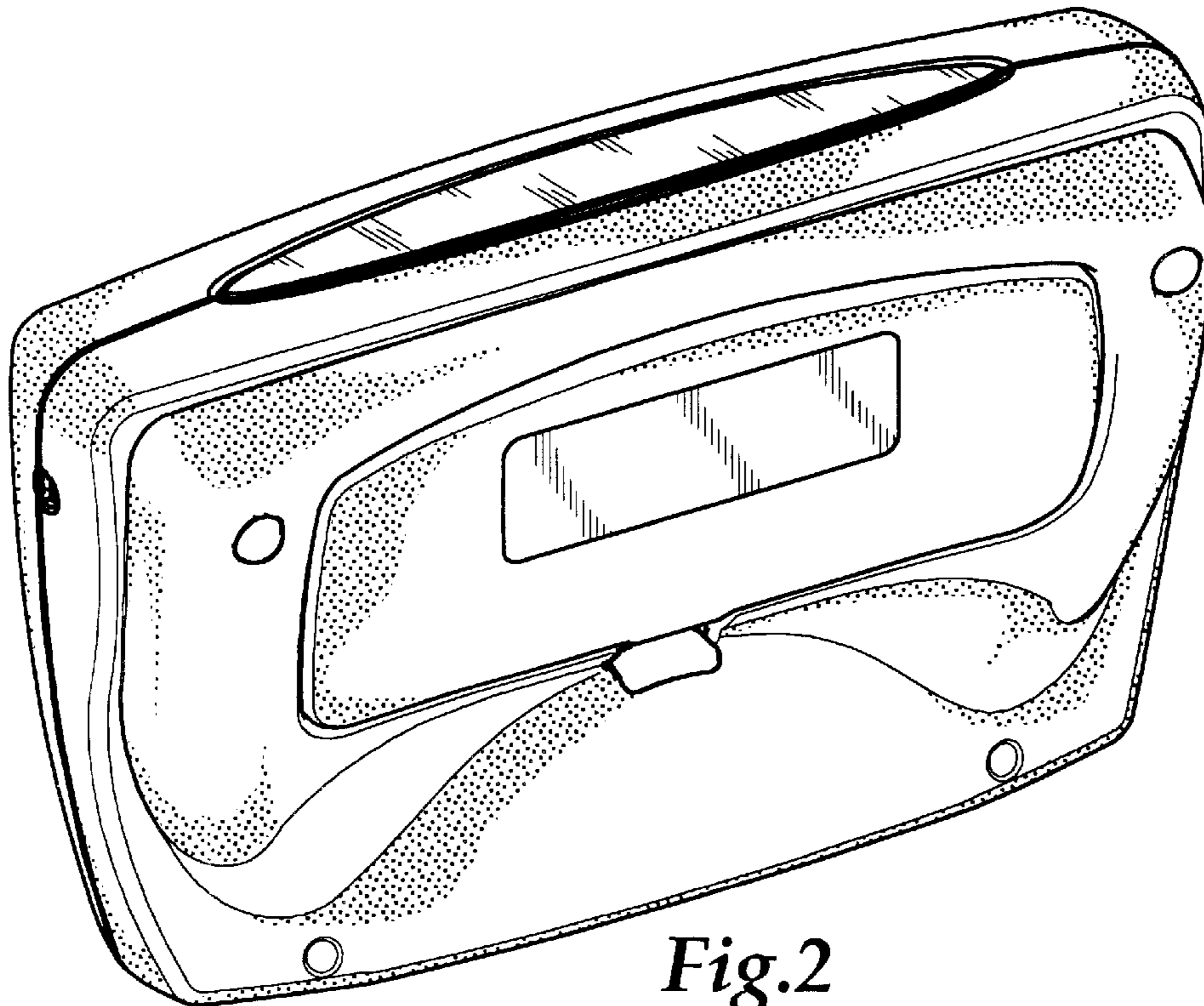


Fig. 2

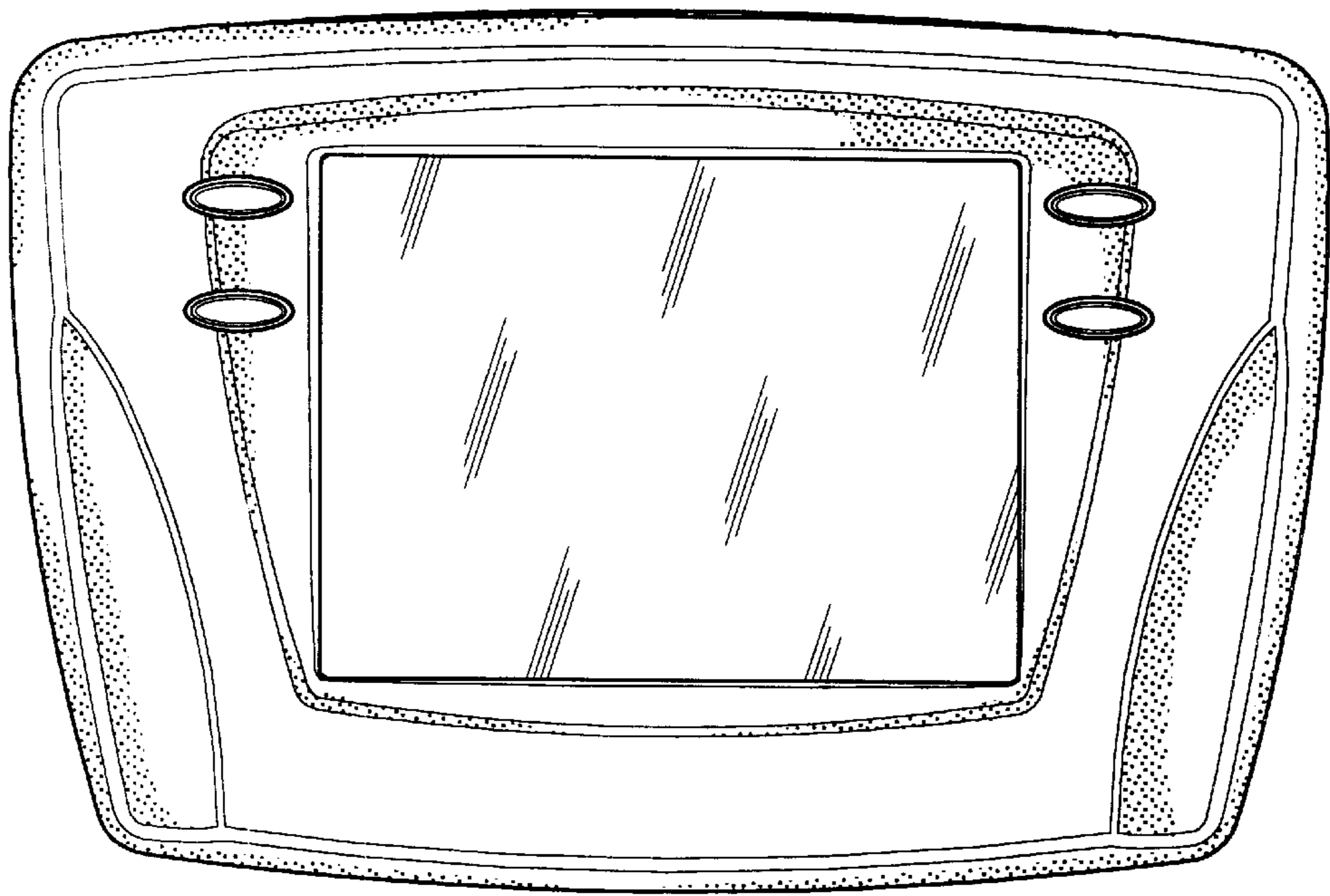


Fig.3

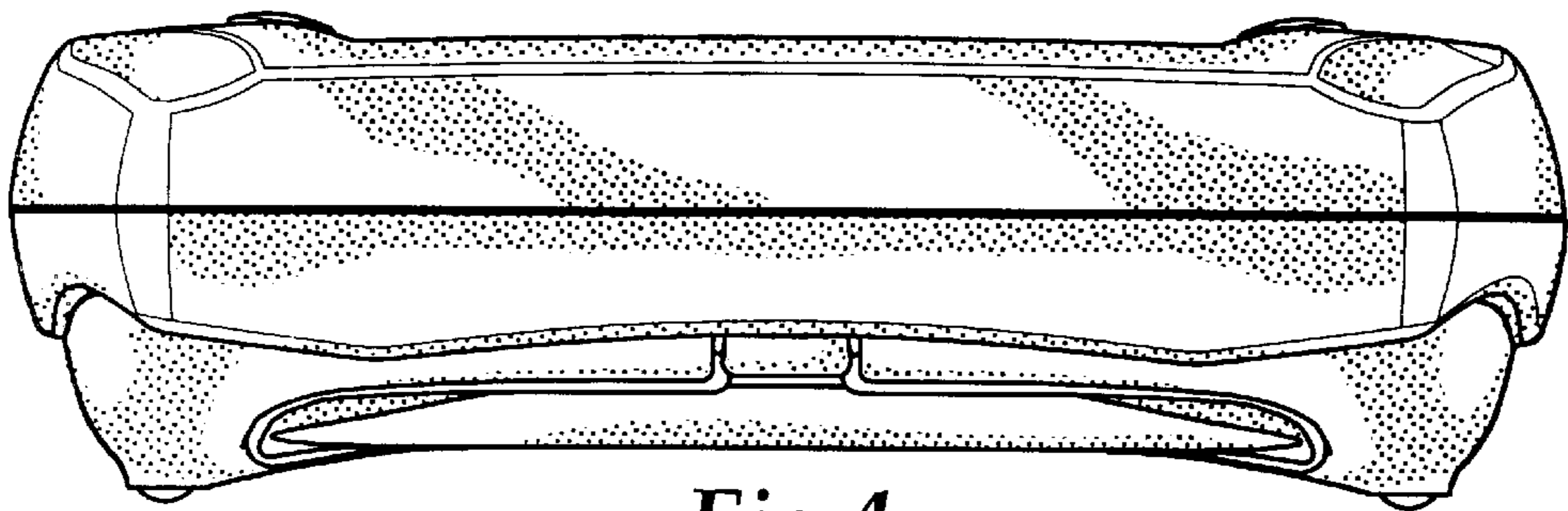


Fig.4

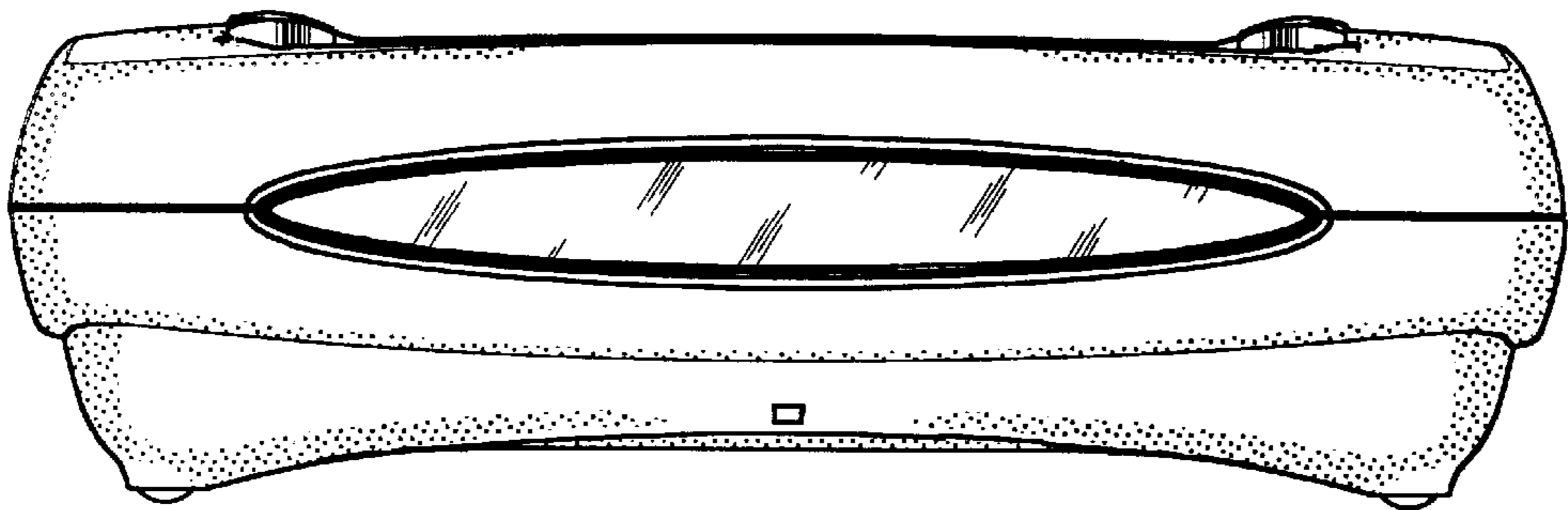


Fig.5

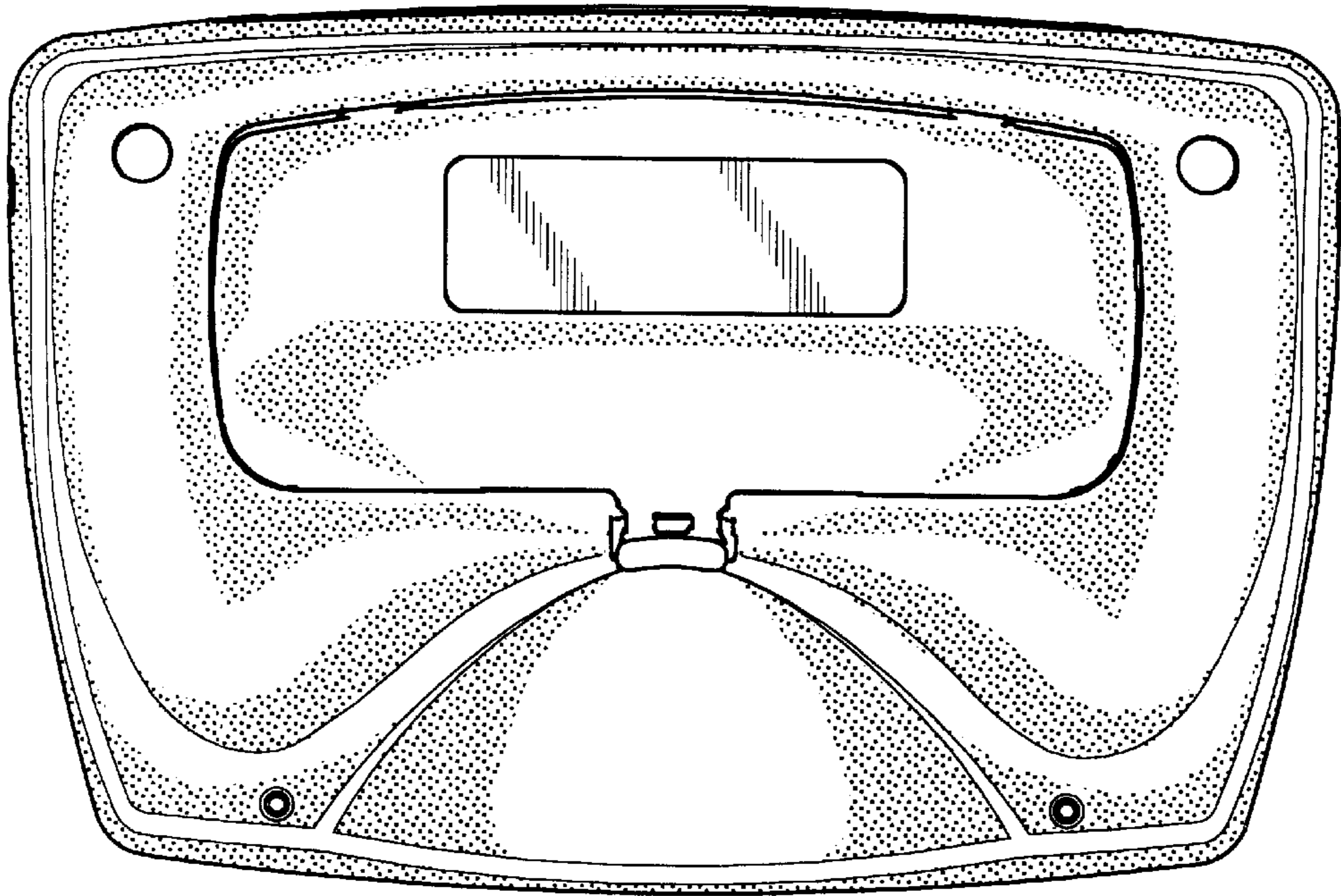


Fig.6

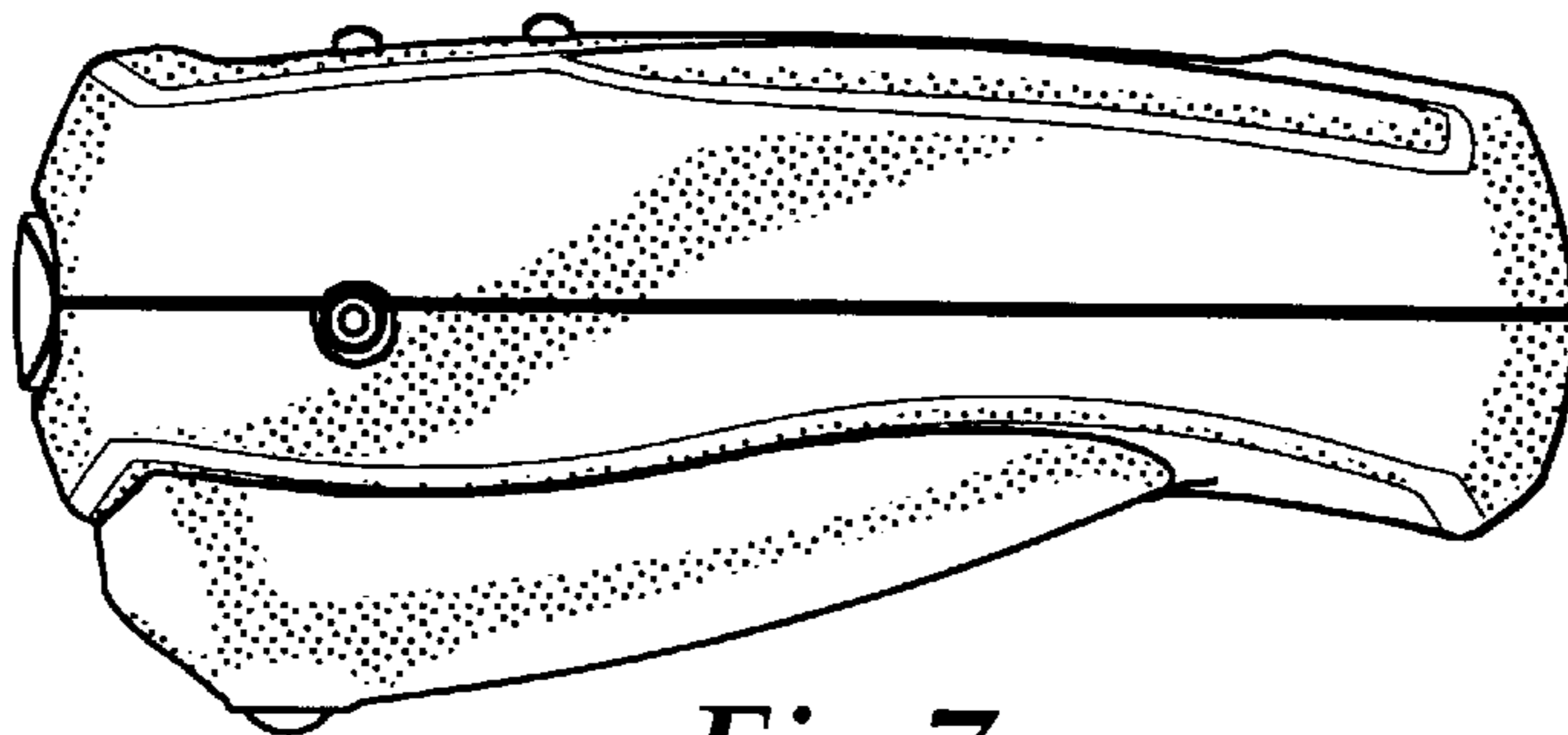


Fig.7

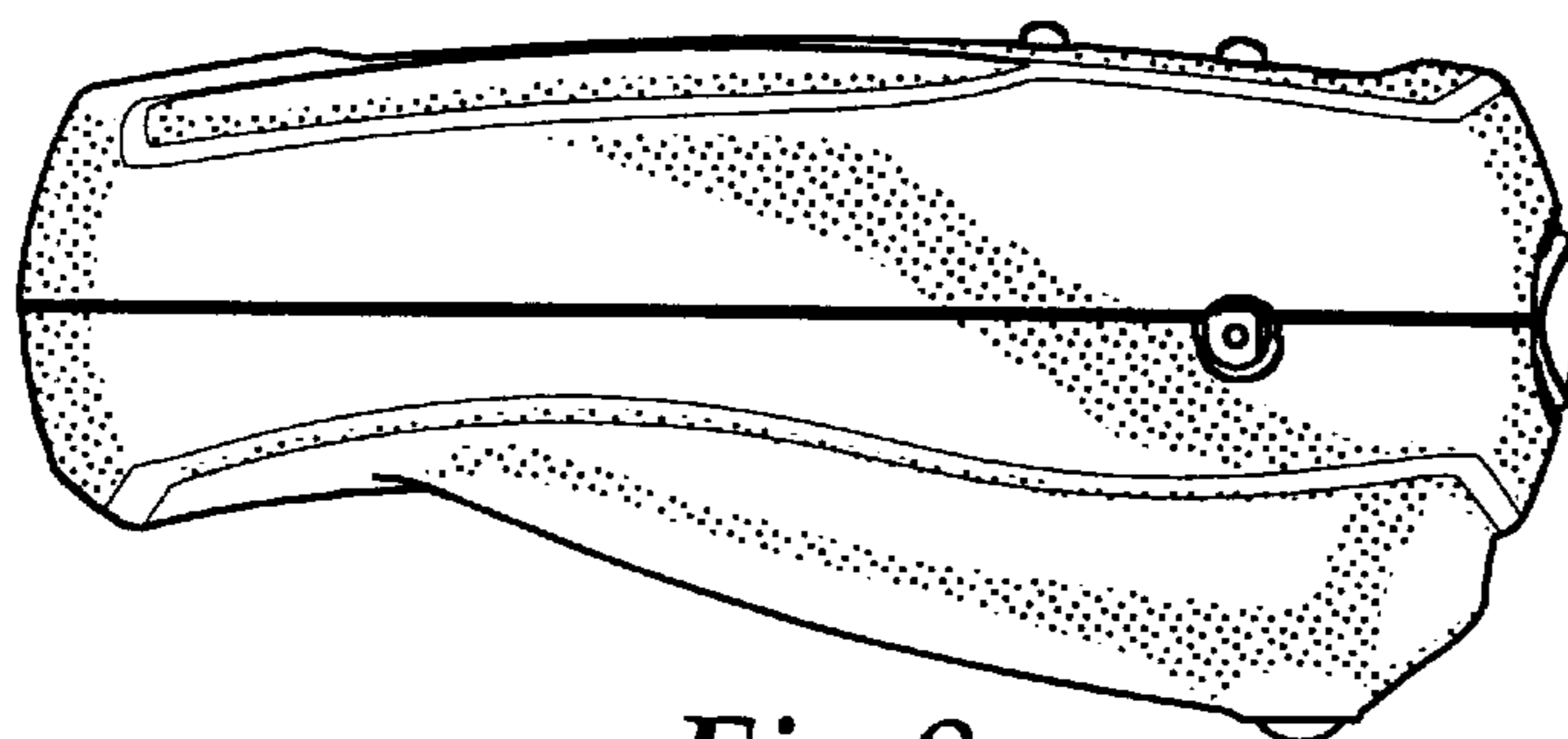


Fig.8