



US00D416908S

# United States Patent [19] Whisenant

[11] Patent Number: **Des. 416,908**

[45] Date of Patent: **\*\* Nov. 23, 1999**

[54] **TRANSCEIVER CARRIER**

[75] Inventor: **Claude Richard Whisenant**, Fairview, N.C.

[73] Assignee: **Superior Modular Products Incorporated**, Swannanoa, N.C.

[\*\*] Term: **14 Years**

[21] Appl. No.: **29/093,001**

[22] Filed: **May 30, 1997**

[51] **LOC (6) Cl.** ..... **14-03**

[52] **U.S. Cl.** ..... **D14/217; D8/353; D13/177; D14/252**

[58] **Field of Search** ..... **D14/140, 240, D14/217, 251, 252, 253, 137; D6/573, 574, 475; D13/107, 108; 320/110, 113, 114, 115; 379/454, 455, 446, 449, 450, 443; 220/241; 174/66, 67; D8/353; D19/87; 211/45, 50, 26, 119.012; D3/218**

[56] **References Cited**

**U.S. PATENT DOCUMENTS**

- D. 193,629 9/1962 Speciale ..... D6/573
- D. 222,990 2/1972 Gibson ..... D6/573
- D. 237,893 12/1975 Wennerstrom ..... D14/137
- D. 304,000 10/1989 Tuberville ..... D6/475 X

- D. 323,285 1/1992 Thomson ..... D8/372
- D. 366,246 1/1996 Simek et al. .... D13/177
- D. 392,619 3/1998 Ericksen ..... D13/108 X
- D. 393,171 4/1998 St-Pierre et al. .... D6/574 X
- D. 405,347 2/1999 Mezey ..... D8/353
- 3,113,996 12/1963 Sanford ..... 220/241 X
- 4,339,045 7/1982 Bodin ..... 174/66 X
- 4,484,033 11/1984 Licari ..... 379/447
- 5,075,615 12/1991 Dantis ..... 320/115 X
- 5,539,821 7/1996 Blonder ..... 379/446

*Primary Examiner*—Jeffrey Asch  
*Attorney, Agent, or Firm*—Carter & Schnedler P. A.

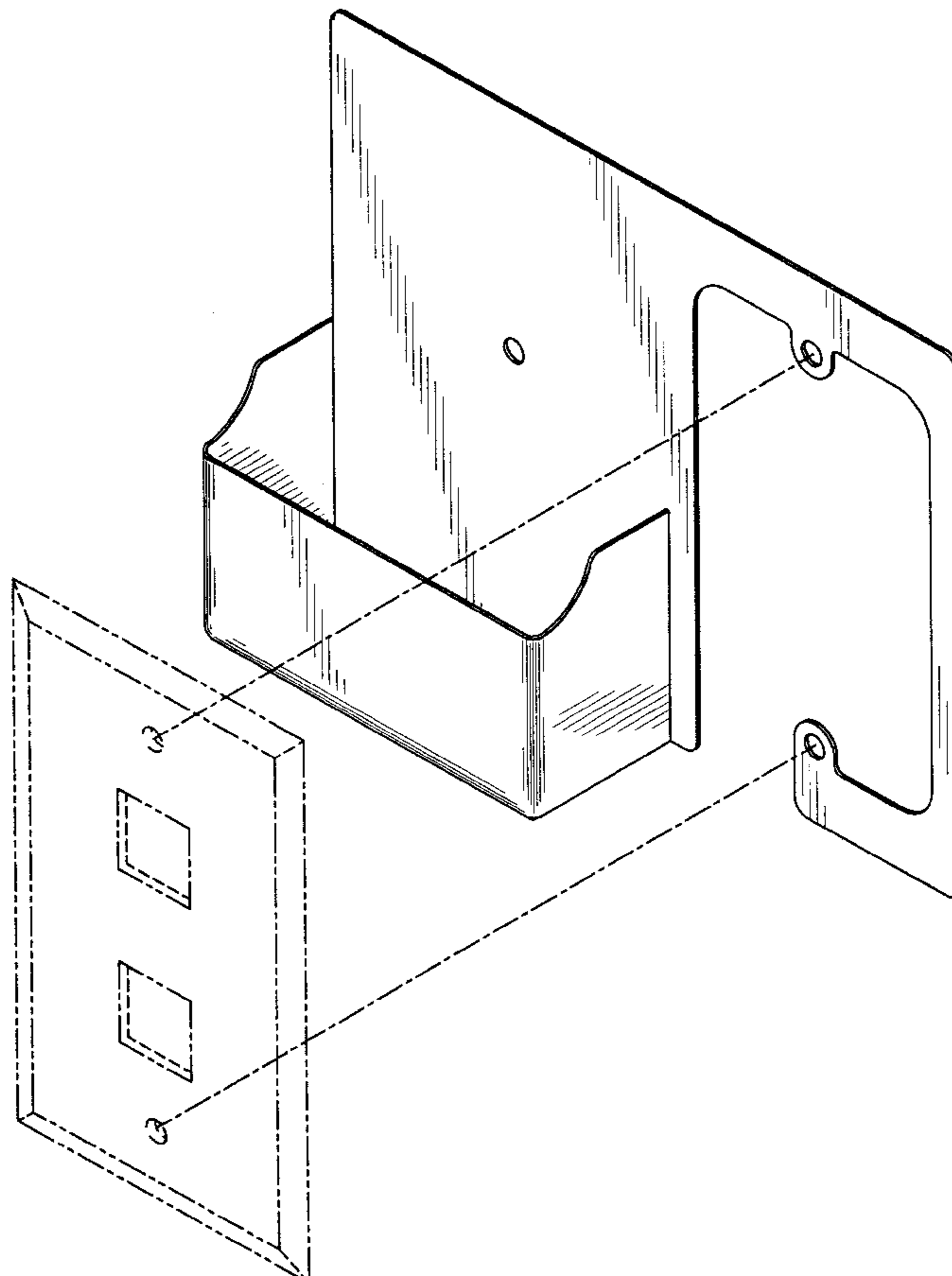
[57] **CLAIM**

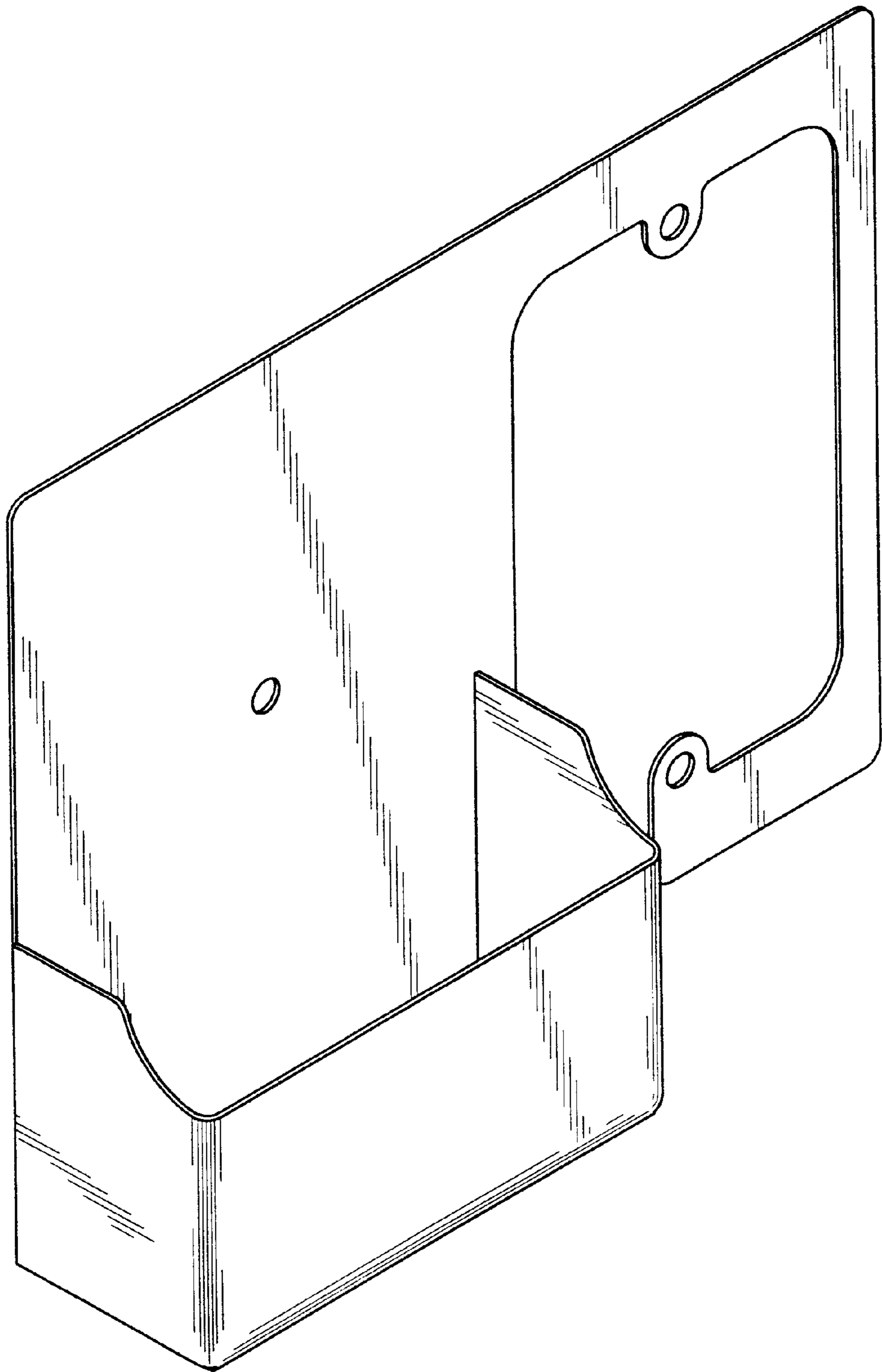
The ornamental design for a transceiver carrier, as shown and described.

**DESCRIPTION**

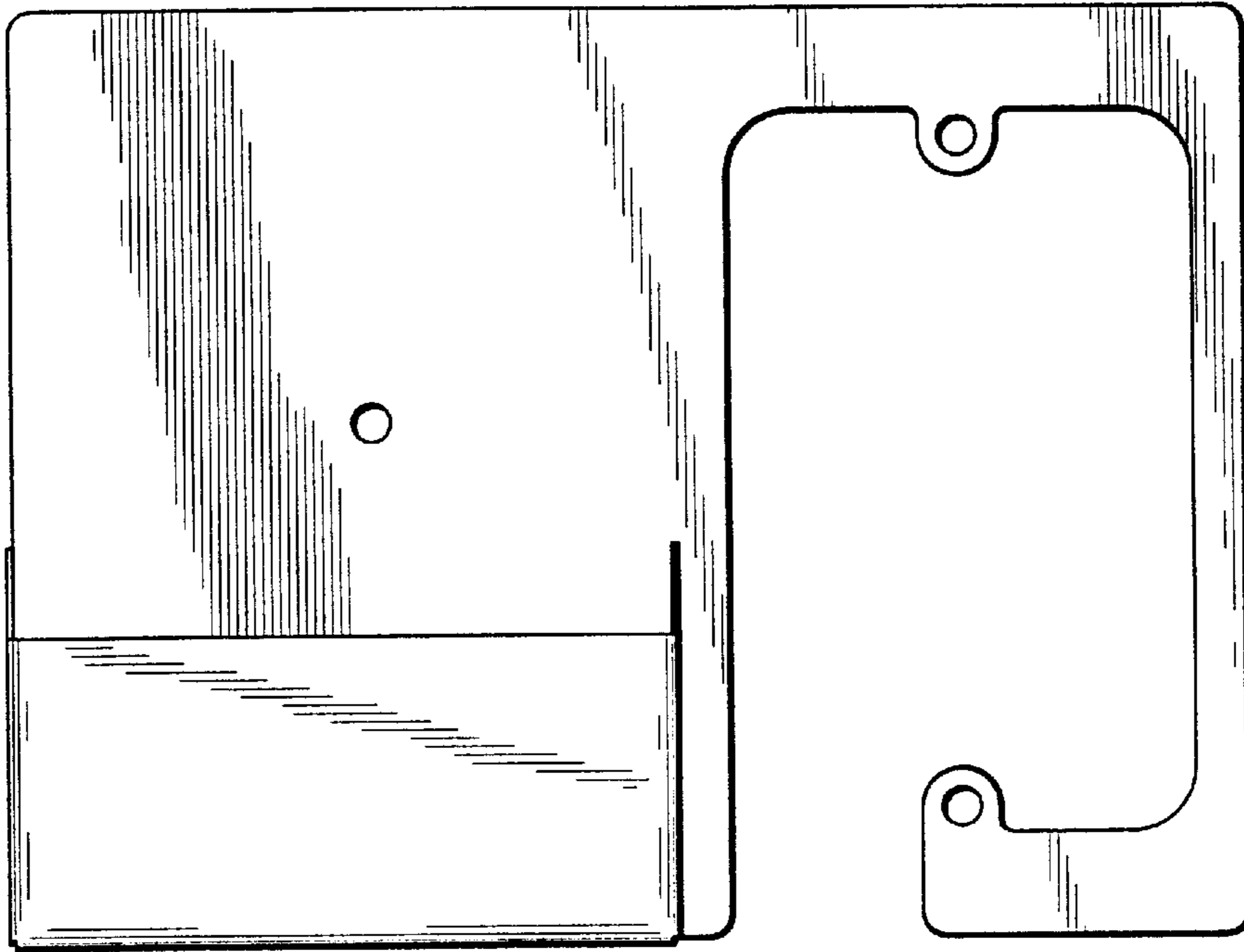
FIG. 1 is a perspective view of a transceiver carrier showing my design design;  
 FIG. 2 is a front elevational view thereof;  
 FIG. 3 is a right side elevational view thereof;  
 FIG. 4 is a left side elevational view thereof;  
 FIG. 5 is a rear elevational view thereof;  
 FIG. 6 is a top plan view thereof; and  
 FIG. 7 is a bottom plan view thereof; and  
 FIG. 8 is a perspective view thereof with the face plate shown in phantom.

**1 Claim, 4 Drawing Sheets**

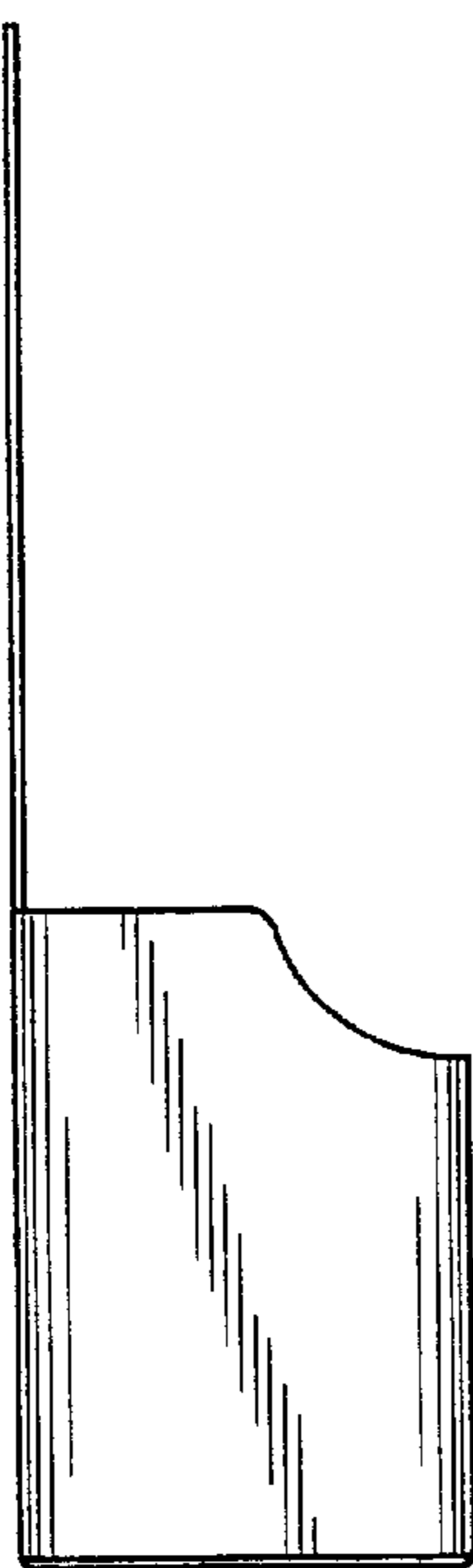




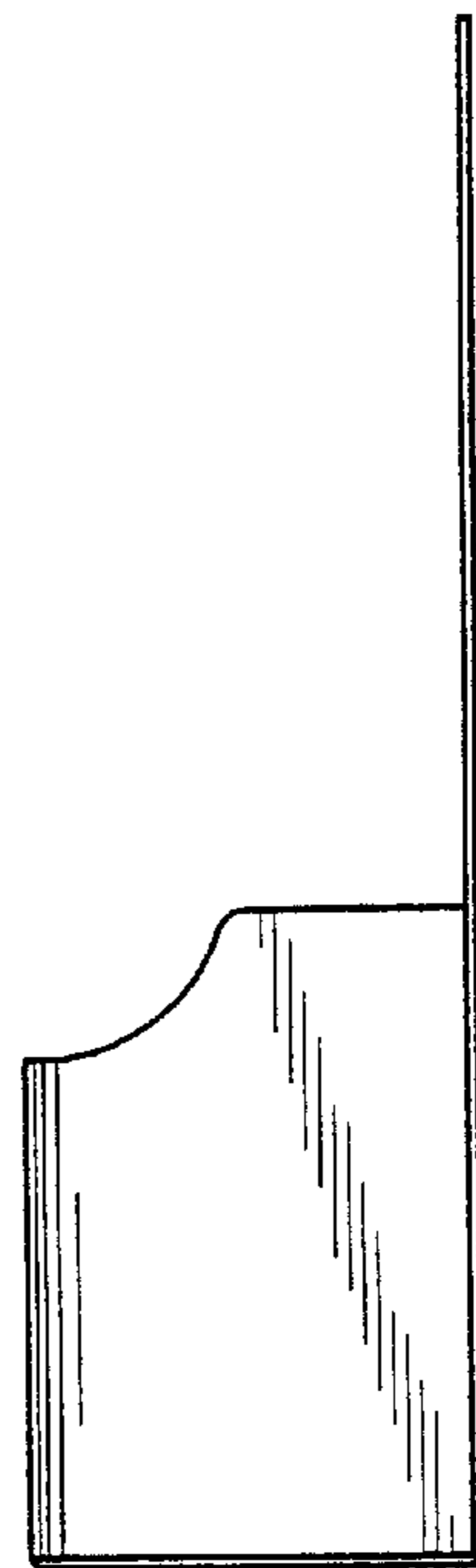
*Fig. 1*



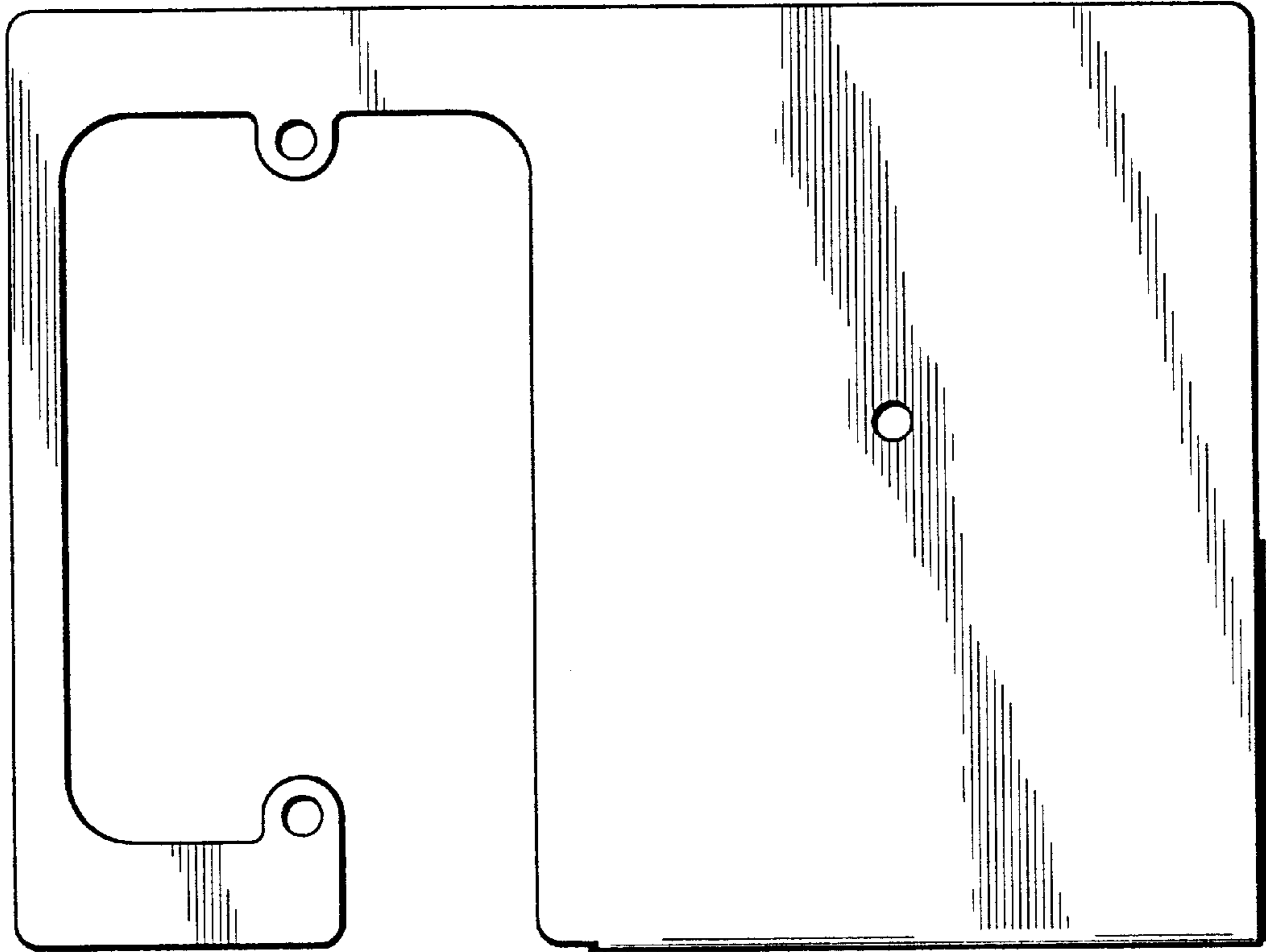
*Fig. 2*



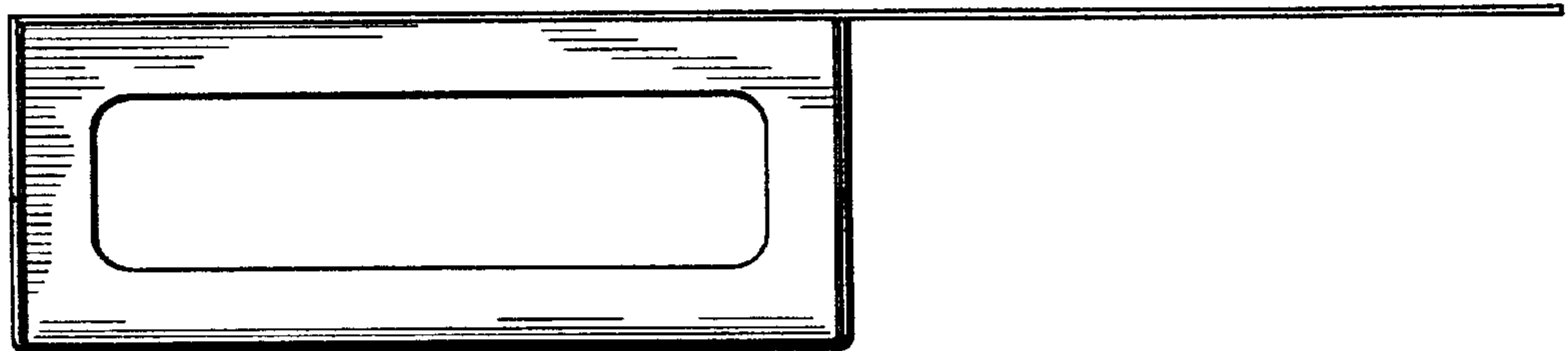
*Fig. 3*



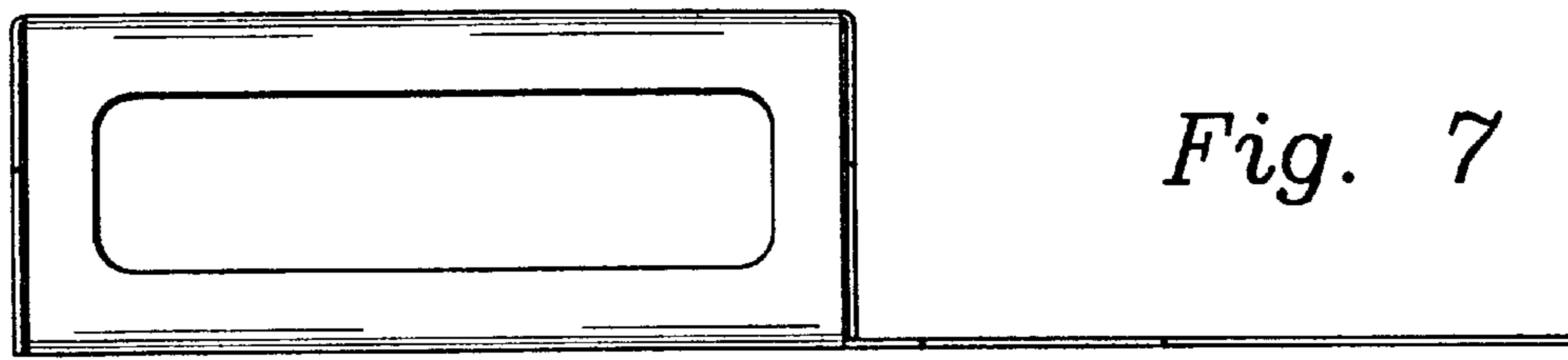
*Fig. 4*



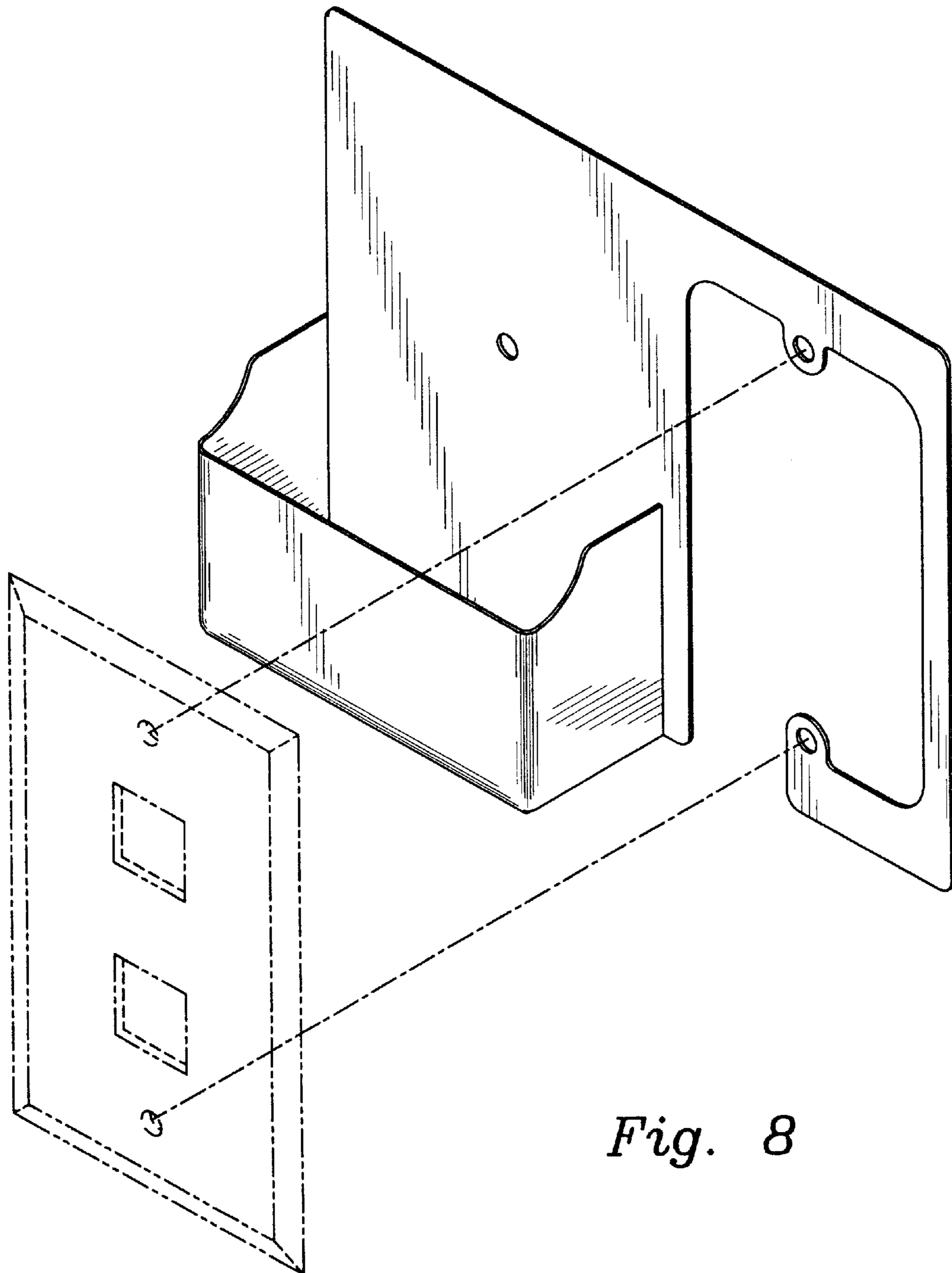
*Fig. 5*



*Fig. 6*



*Fig. 7*



*Fig. 8*