



US00D416905S

United States Patent [19]

Laskin et al.

[11] Patent Number: **Des. 416,905**

[45] Date of Patent: **** Nov. 23, 1999**

[54] **RADIO**

[76] Inventors: **Hardy A. Laskin**, 3642 E. Highland Ave.; **Steven A. Riess**, 3626 E. Highland Ave., both of Phoenix, Ariz. 85018

[**] Term: **14 Years**

[21] Appl. No.: **29/091,351**

[22] Filed: **Jul. 28, 1998**

[51] **LOC (6) Cl.** **14-03**

[52] **U.S. Cl.** **D14/192; D14/197**

[58] **Field of Search** D14/124, 137, D14/168, 188, 192-198, 163, 165; 312/7.1; 455/90, 100, 128, 344, 347, 350, 351

[56] **References Cited**

U.S. PATENT DOCUMENTS

- D. 235,449 6/1975 Holcomb D14/197
- D. 276,158 10/1984 Lee et al. D14/192

- D. 302,157 7/1989 Vories D14/192
- D. 321,880 11/1991 Emmerling D14/192
- D. 376,361 12/1996 Lee D14/192

Primary Examiner—Nanda Bondade
Attorney, Agent, or Firm—Jordan M. Meschkow; Lowell W. Gresham; Meschkow & Gresham, P.L.C.

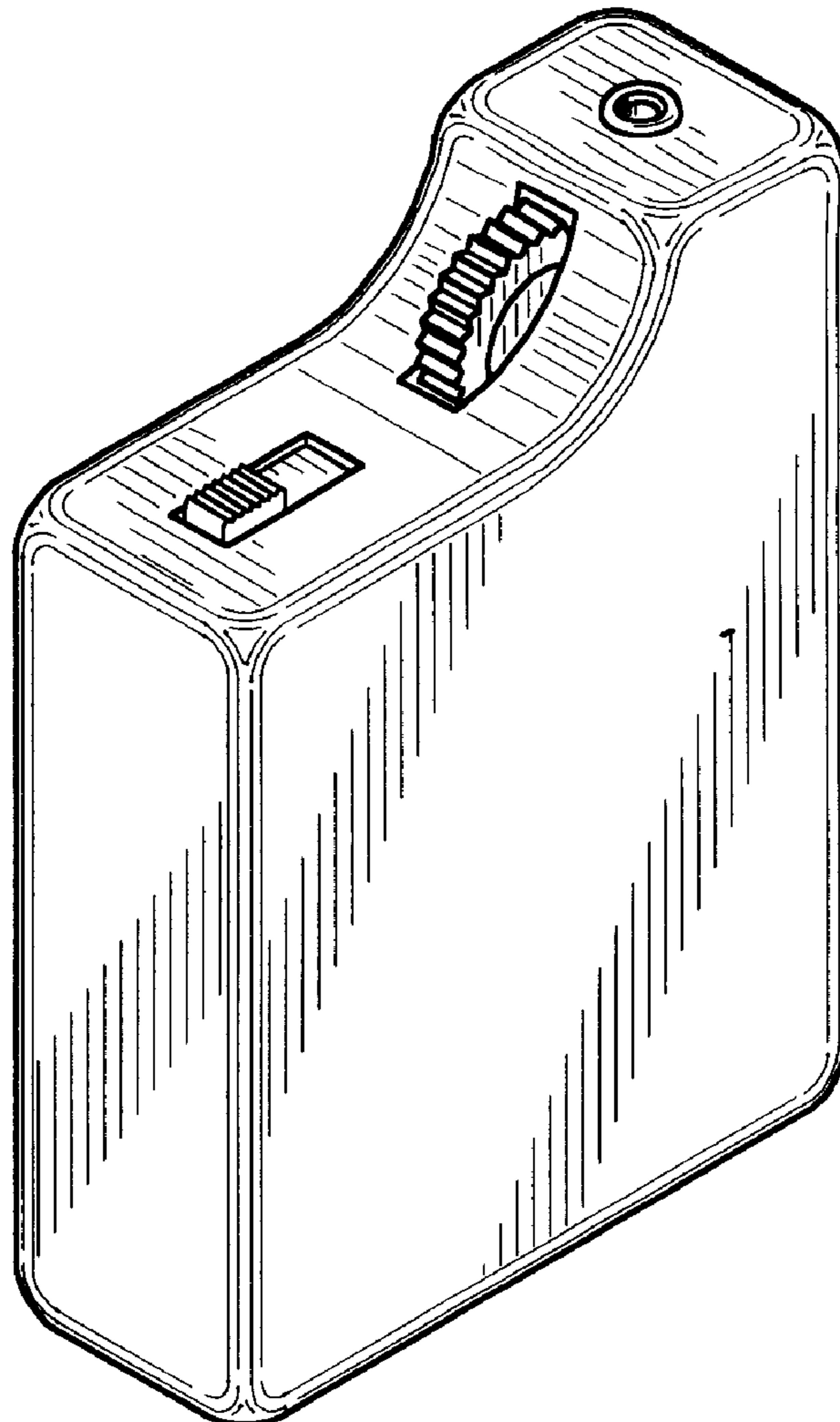
[57] **CLAIM**

The ornamental design for a radio, as shown and described.

DESCRIPTION

FIG. 1 is a front perspective view of a radio, showing our new design;
FIG. 2 is a front view therefor;
FIG. 3 is a rear view therefor;
FIG. 4 is a side view therefor, showing the left side;
FIG. 5 is a side view therefor, showing the right side;
FIG. 6 is a top plan view therefor; and,
FIG. 7 is a bottom plan view therefor.

1 Claim, 2 Drawing Sheets



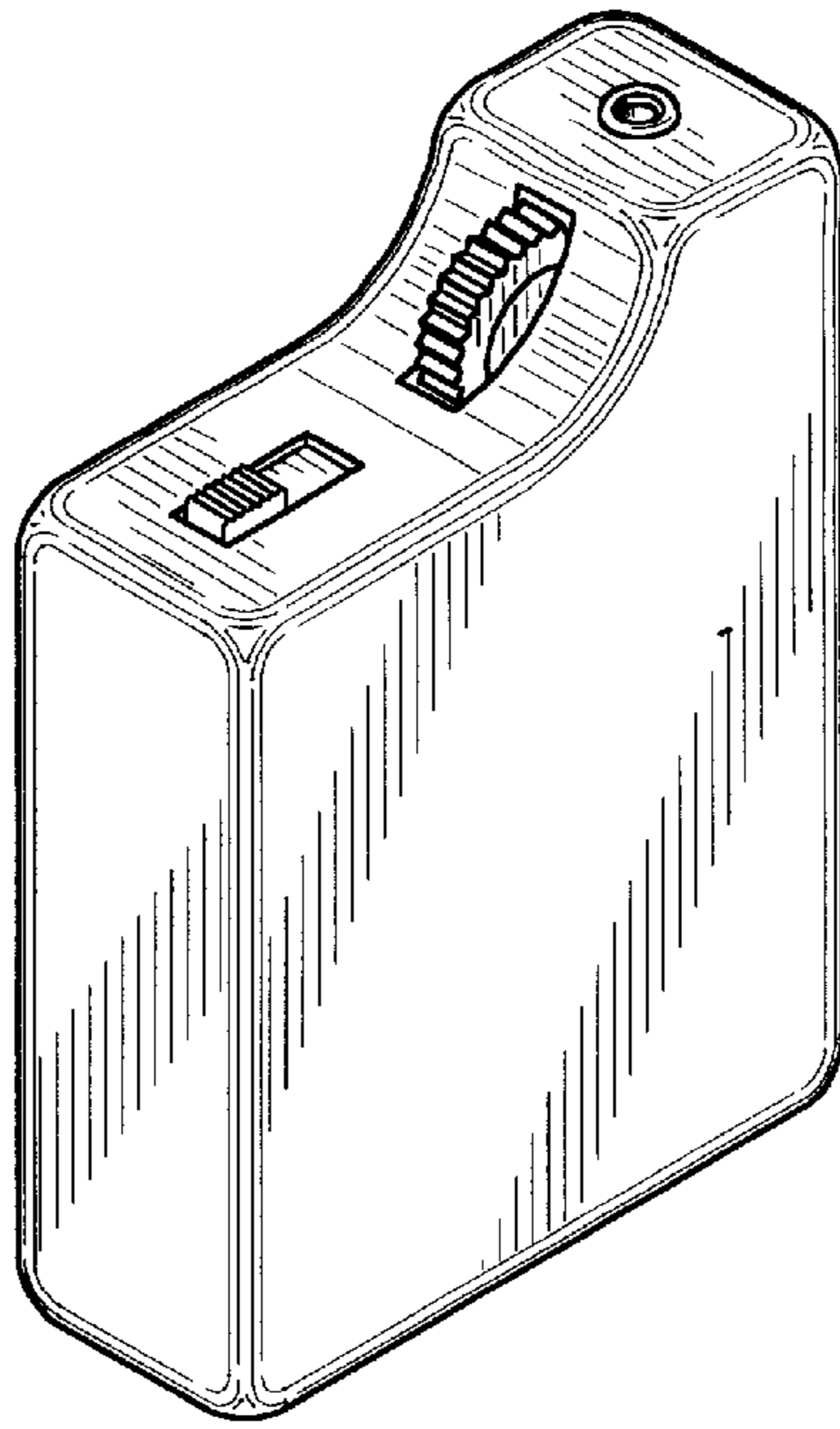


FIG. 1

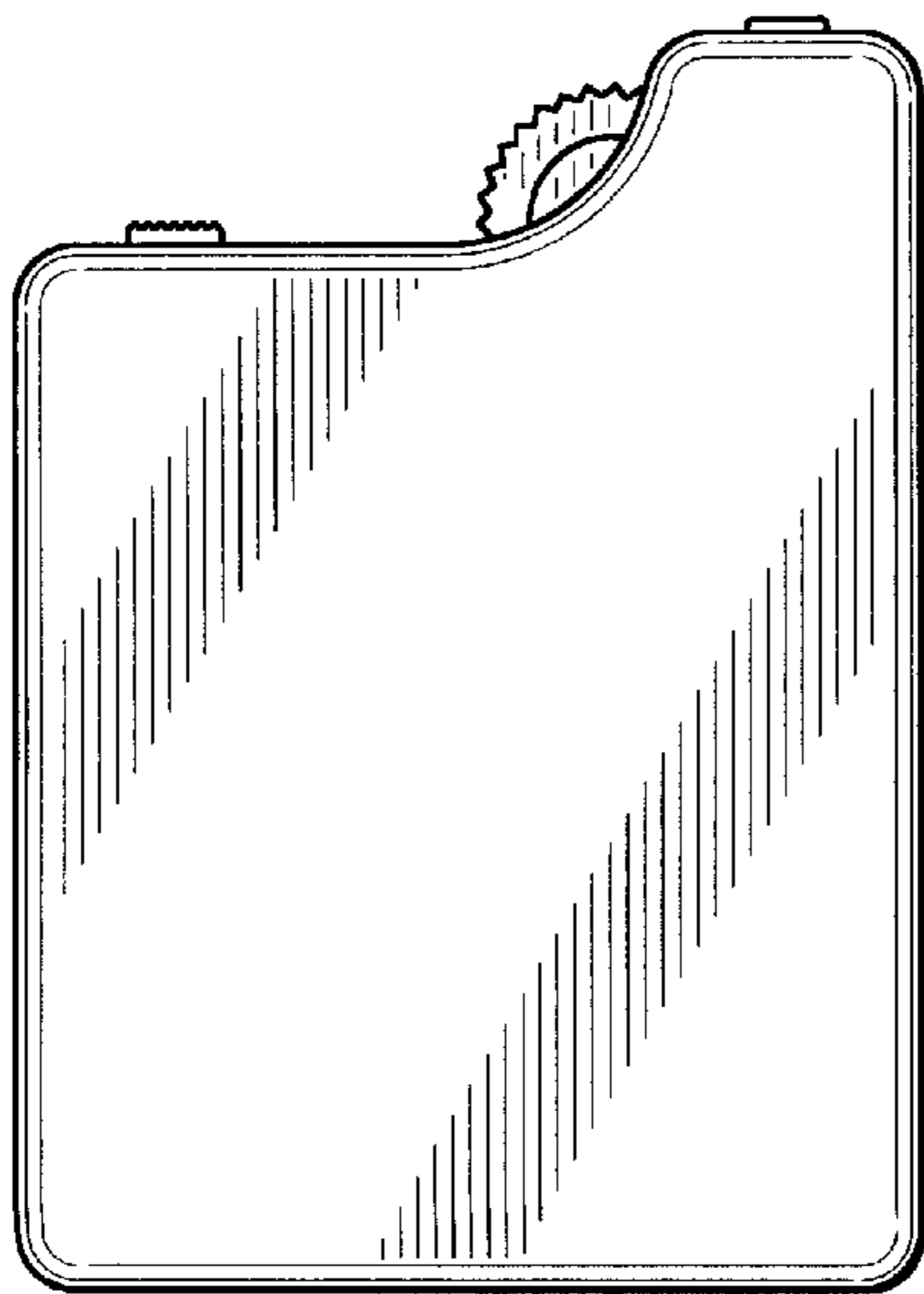


FIG. 2

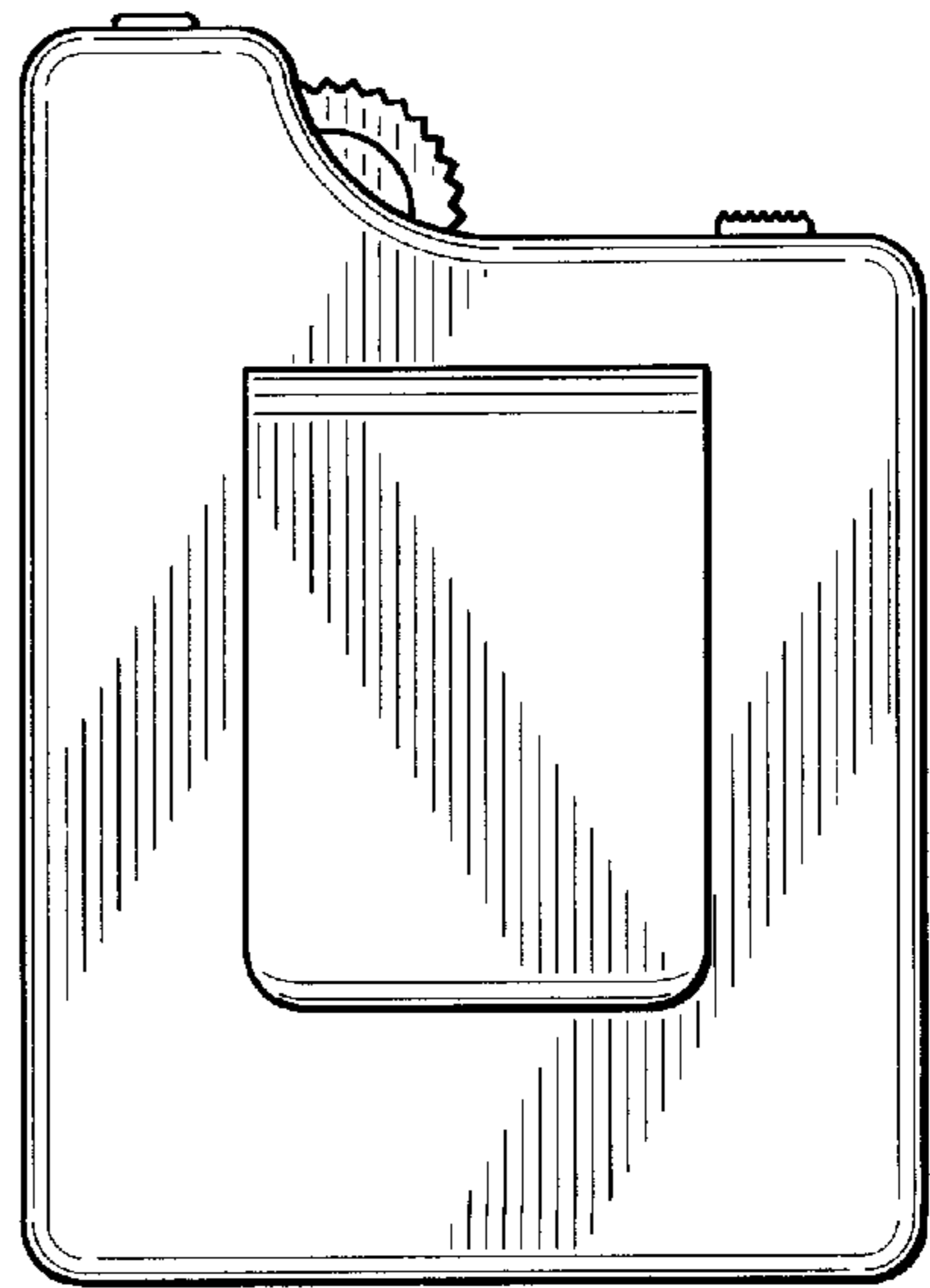


FIG. 3

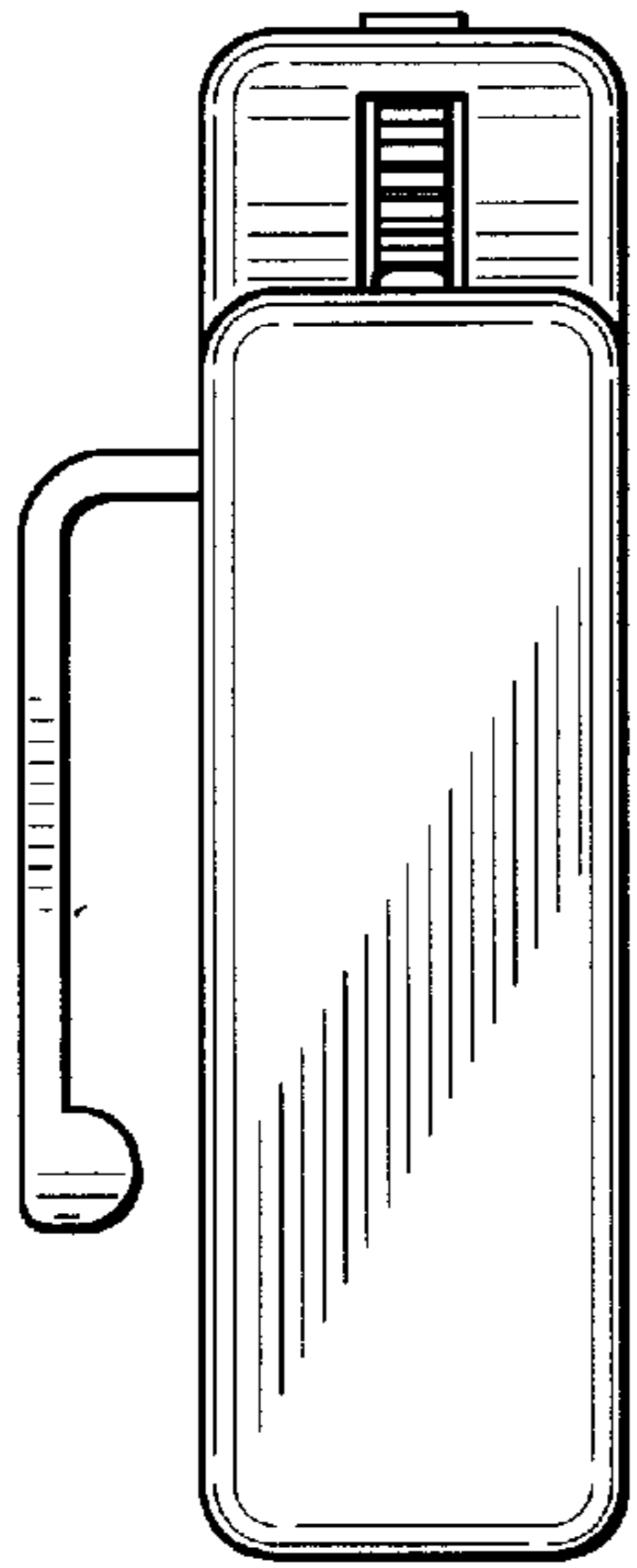


FIG. 4

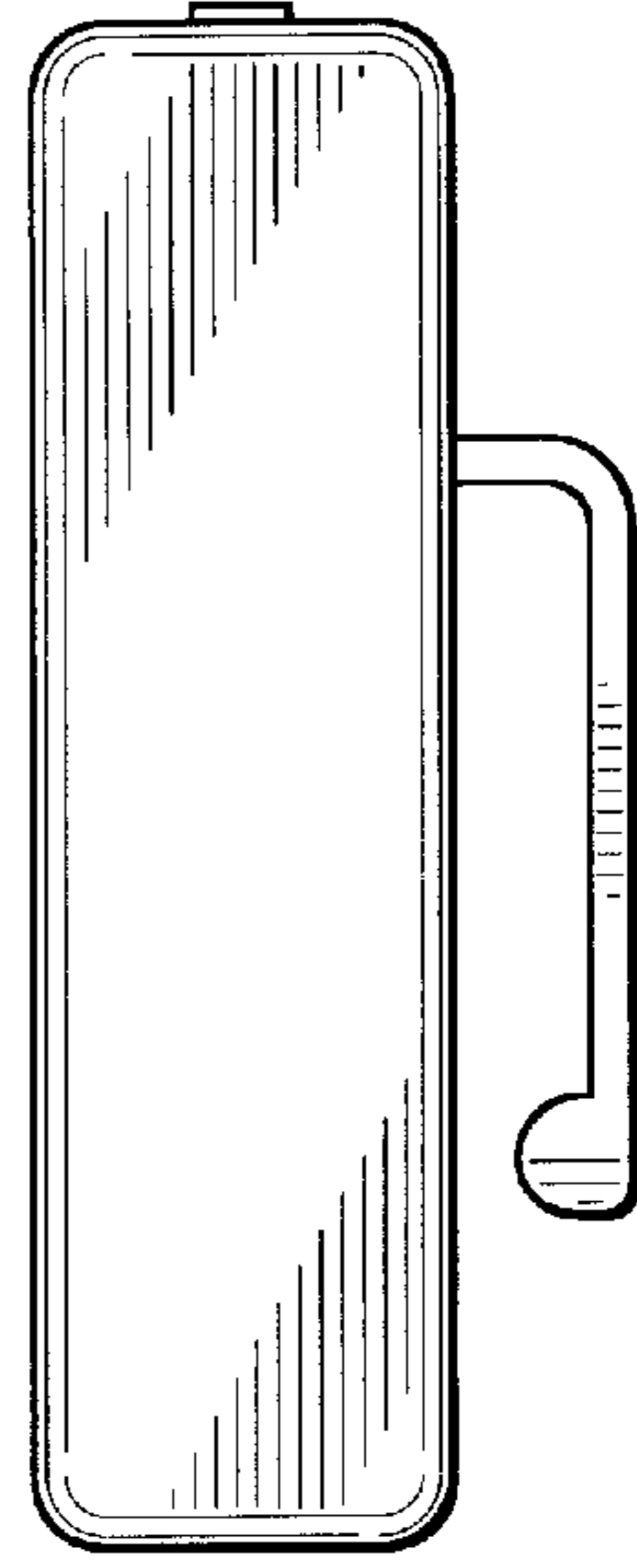


FIG. 5

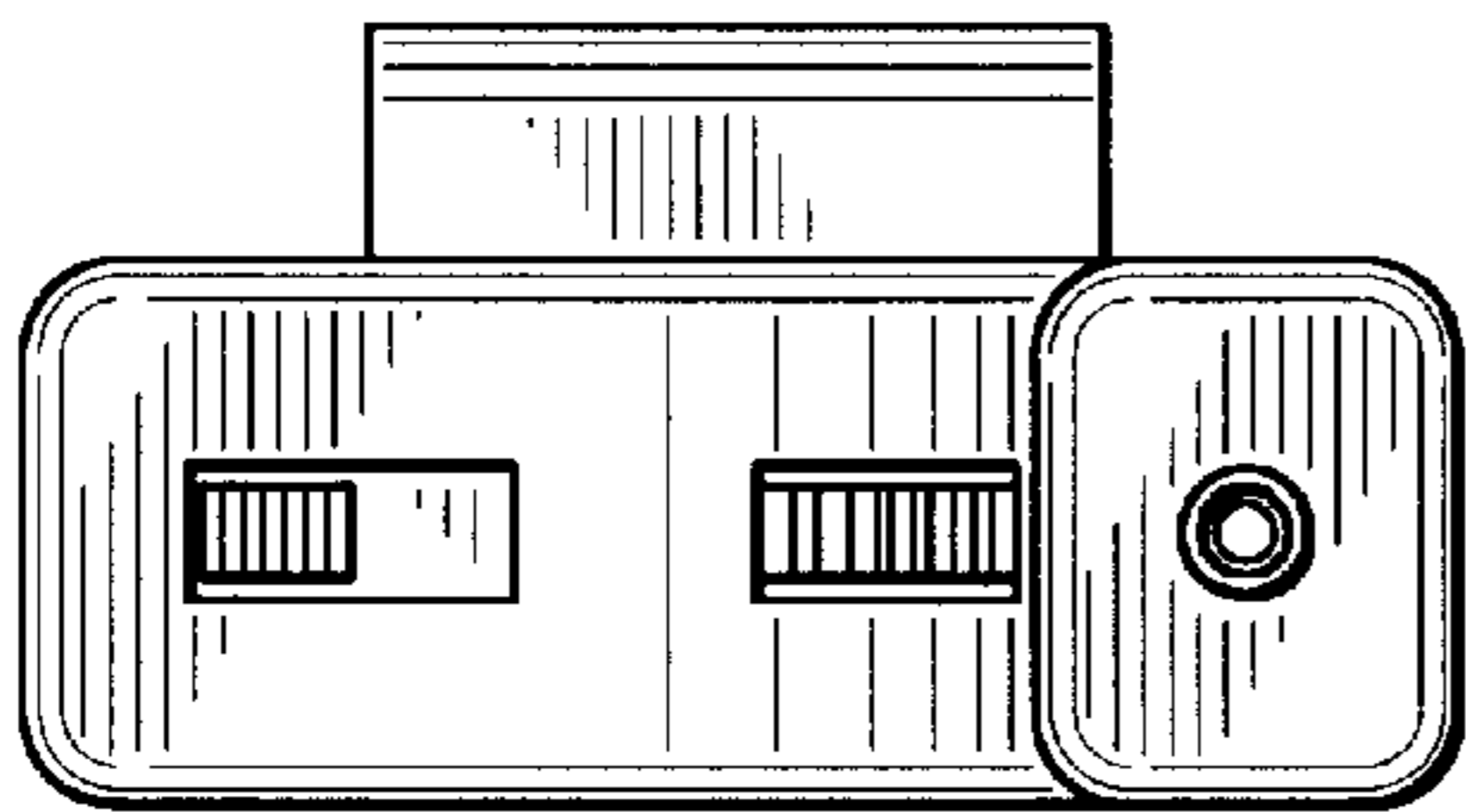


FIG. 6

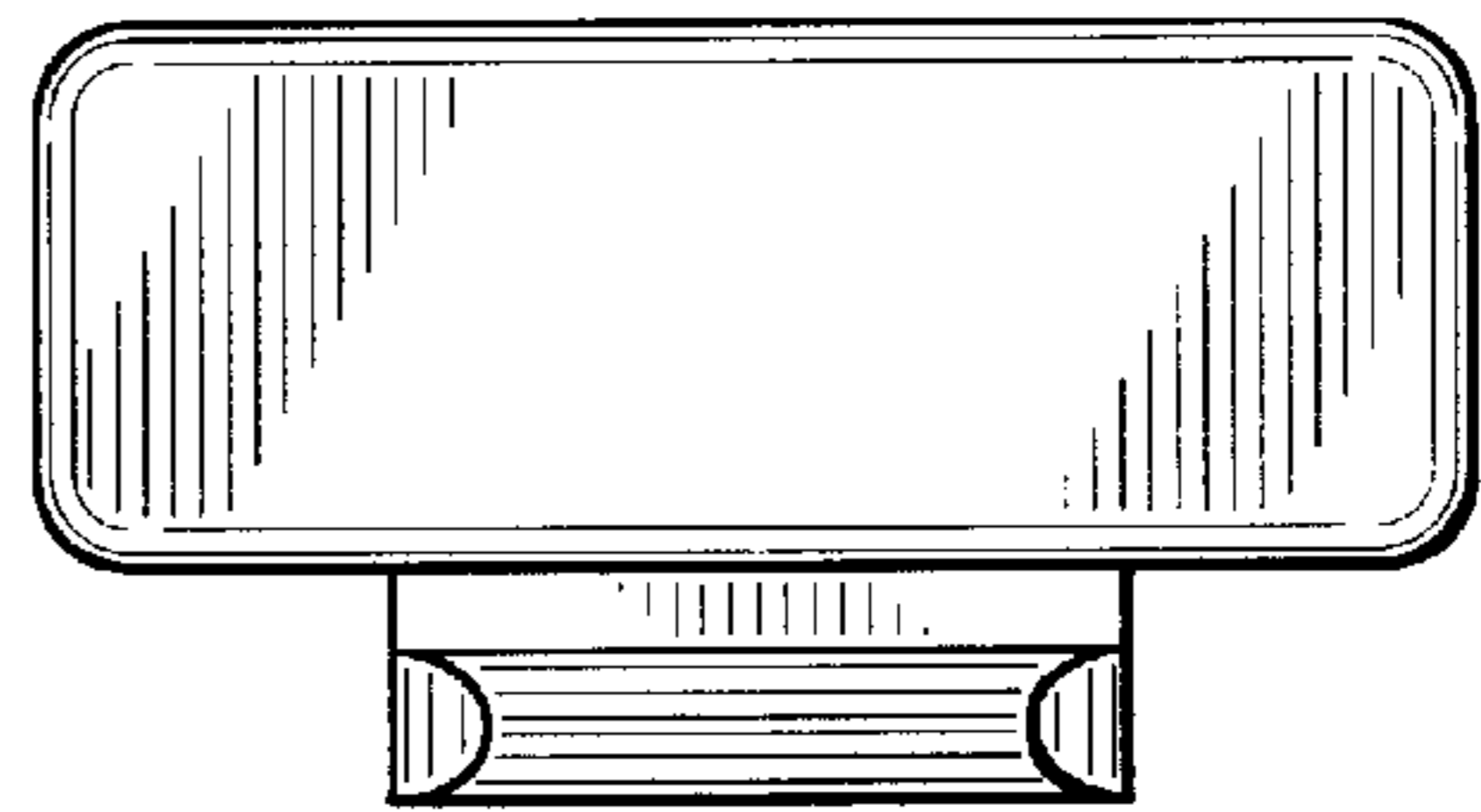


FIG. 7