



US00D416898S

**United States Patent** [19]  
**Takahashi**

[11] **Patent Number: Des. 416,898**

[45] **Date of Patent: \*\* Nov. 23, 1999**

[54] **AMPLIFIER COMBINED WITH RADIO RECEIVER**

5,459,702 10/1995 Greenspan ..... D14/188 X

**OTHER PUBLICATIONS**

[75] Inventor: **Hitoshi Takahashi**, Tokyo, Japan

Sony catalog "88", pp. 118, 120, 139 and 140, (Mar. 1998).

[73] Assignee: **Sony Corporation**, Tokyo, Japan

*Primary Examiner*—Nanda Bondade  
*Attorney, Agent, or Firm*—Foley & Lardner

[\*\*] Term: **14 Years**

[57] **CLAIM**

[21] Appl. No.: **29/086,790**

The ornamental design for an amplifier combined with radio receiver, as shown and described.

[22] Filed: **Apr. 20, 1998**

**DESCRIPTION**

[51] **LOC (6) Cl.** ..... **14-01**

[52] **U.S. Cl.** ..... **D14/168; D14/188; D14/197**

[58] **Field of Search** ..... D14/124, 156-157, D14/162, 164, 168, 188, 193-198, 265, 299; 312/7.1; 455/344, 347, 350, 351

FIG. 1 is a perspective view of an amplifier combined with radio receiver showing my new design; FIG. 2 is a front elevational view thereof; FIG. 3 is a bottom plan view thereof; FIG. 4 is a right side elevational view thereof; FIG. 5 is a top plan view thereof; FIG. 6 is a rear elevational view thereof; and, FIG. 7 is a left side elevational view thereof.

[56] **References Cited**

**U.S. PATENT DOCUMENTS**

D. 328,747 8/1992 Ito et al. .... D14/188  
D. 367,275 2/1996 Ito et al. .... D14/188  
D. 372,915 8/1996 Ito et al. .... D14/188

**1 Claim, 4 Drawing Sheets**

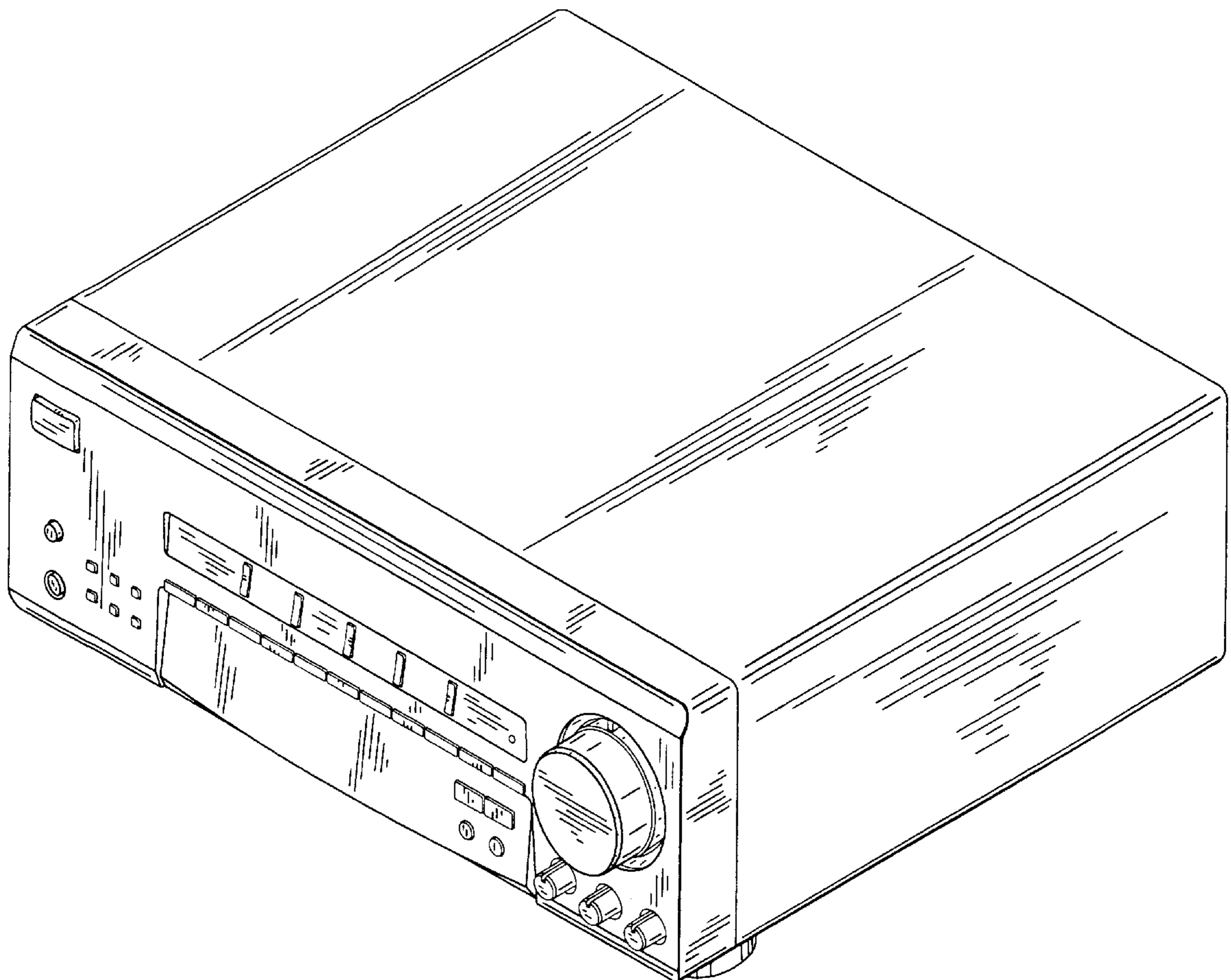


FIG. 1

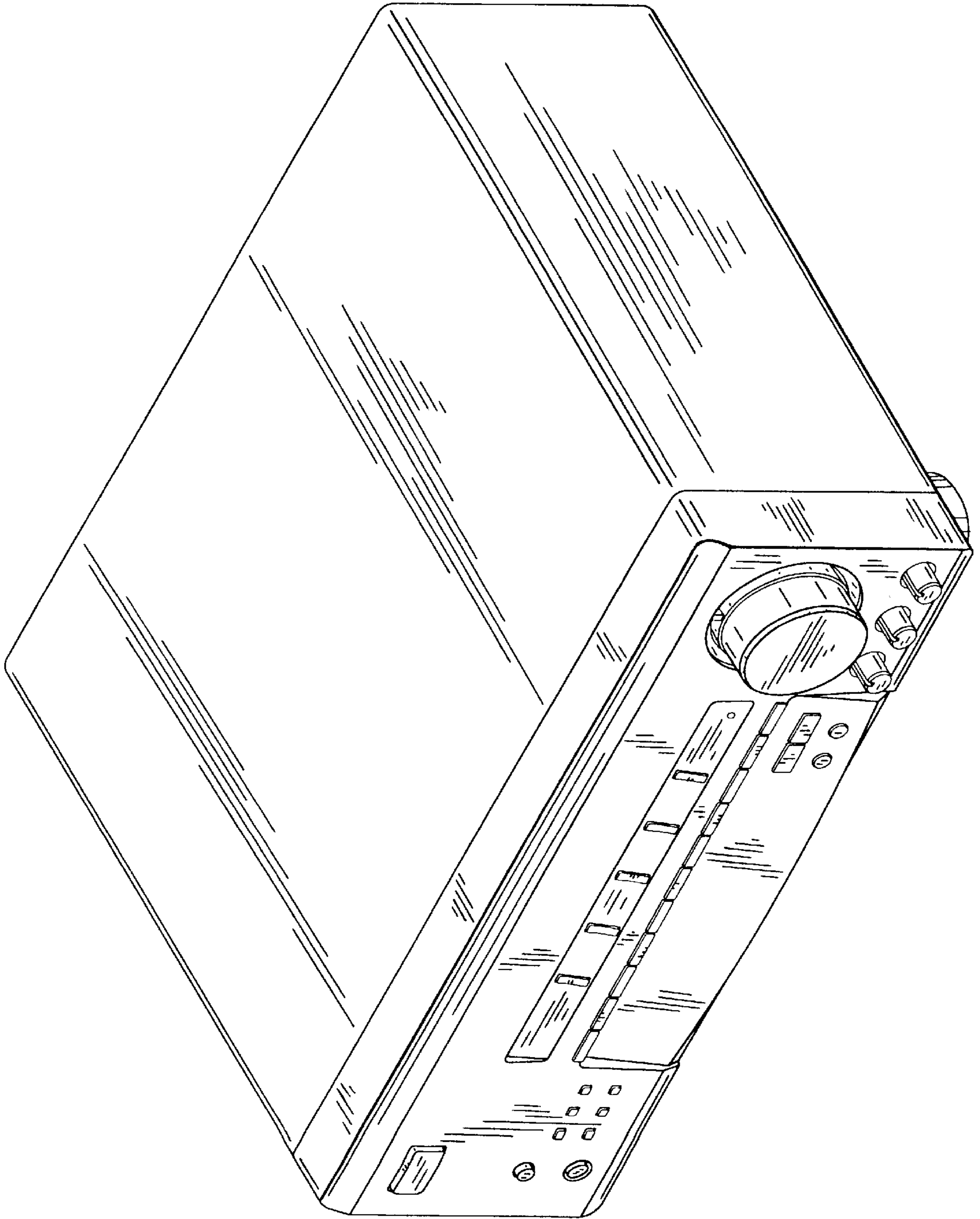


FIG. 2

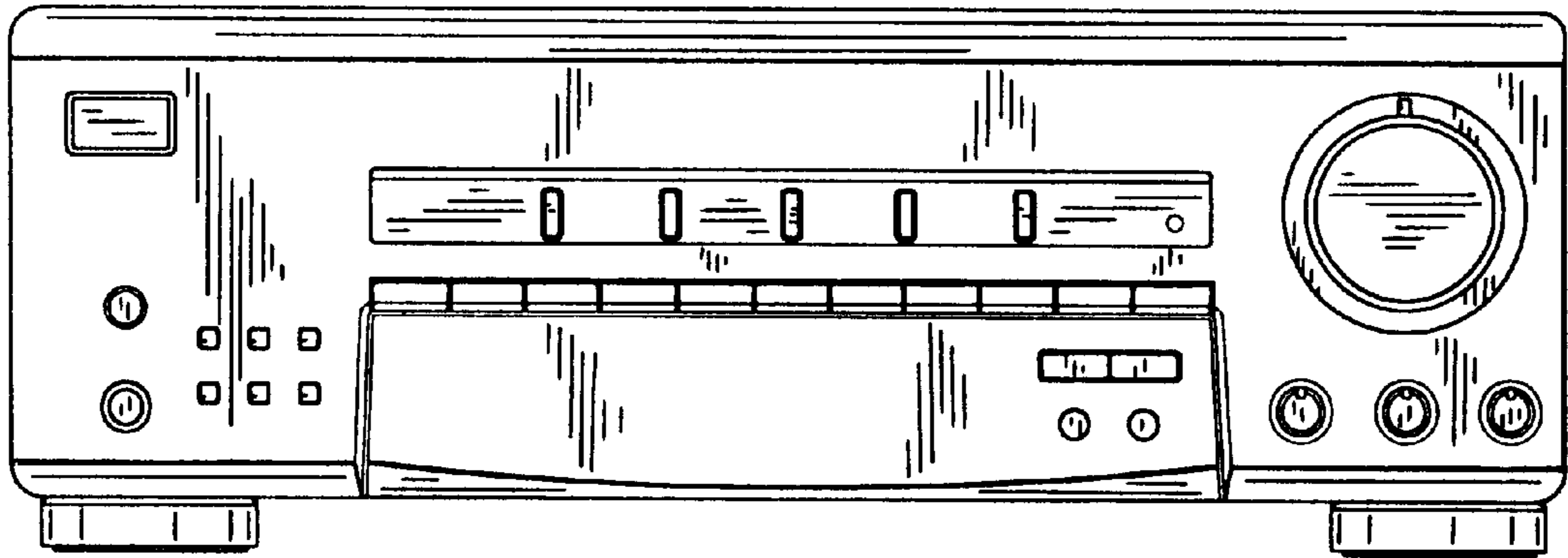


FIG. 3

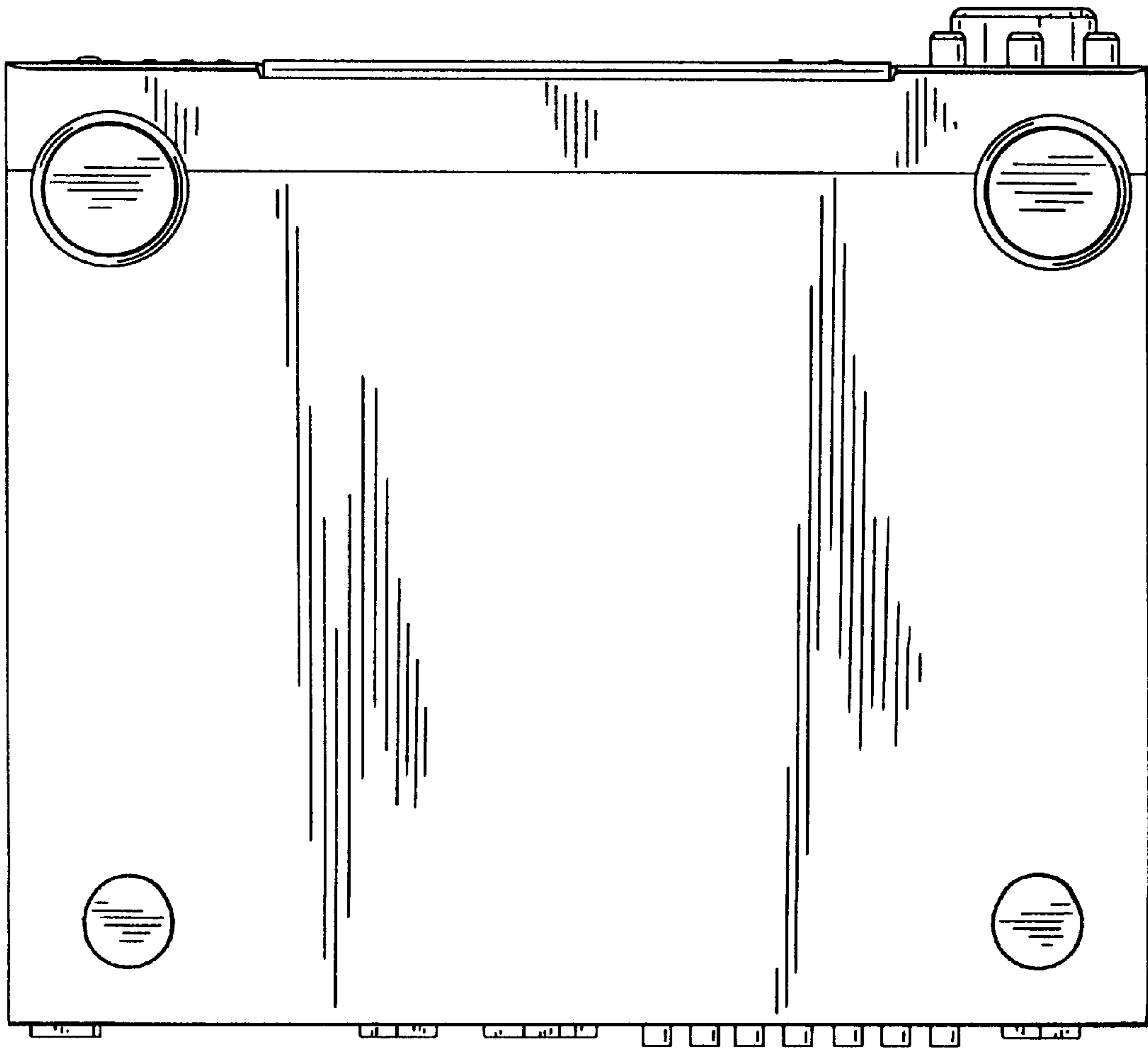


FIG. 5

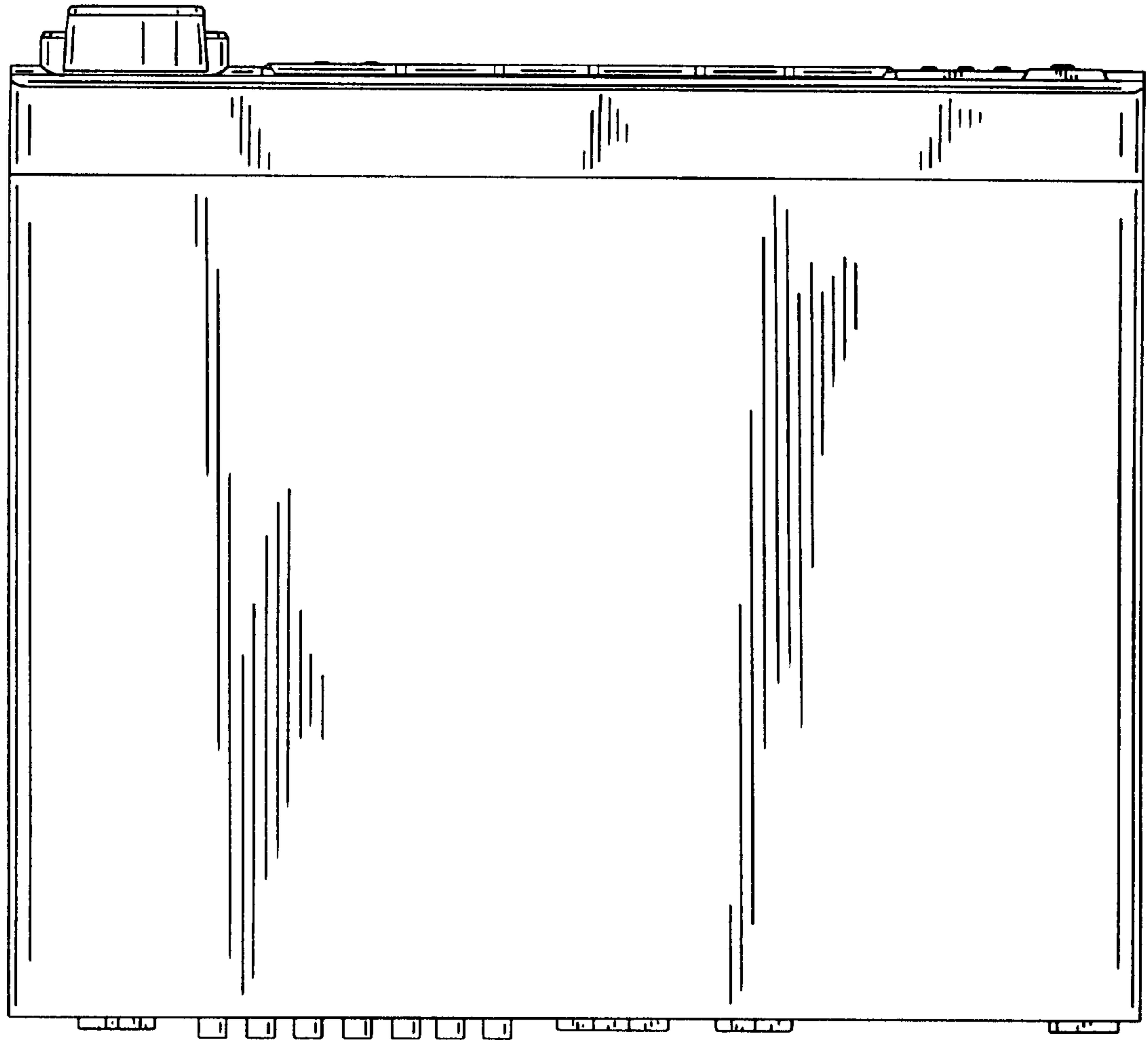


FIG. 6

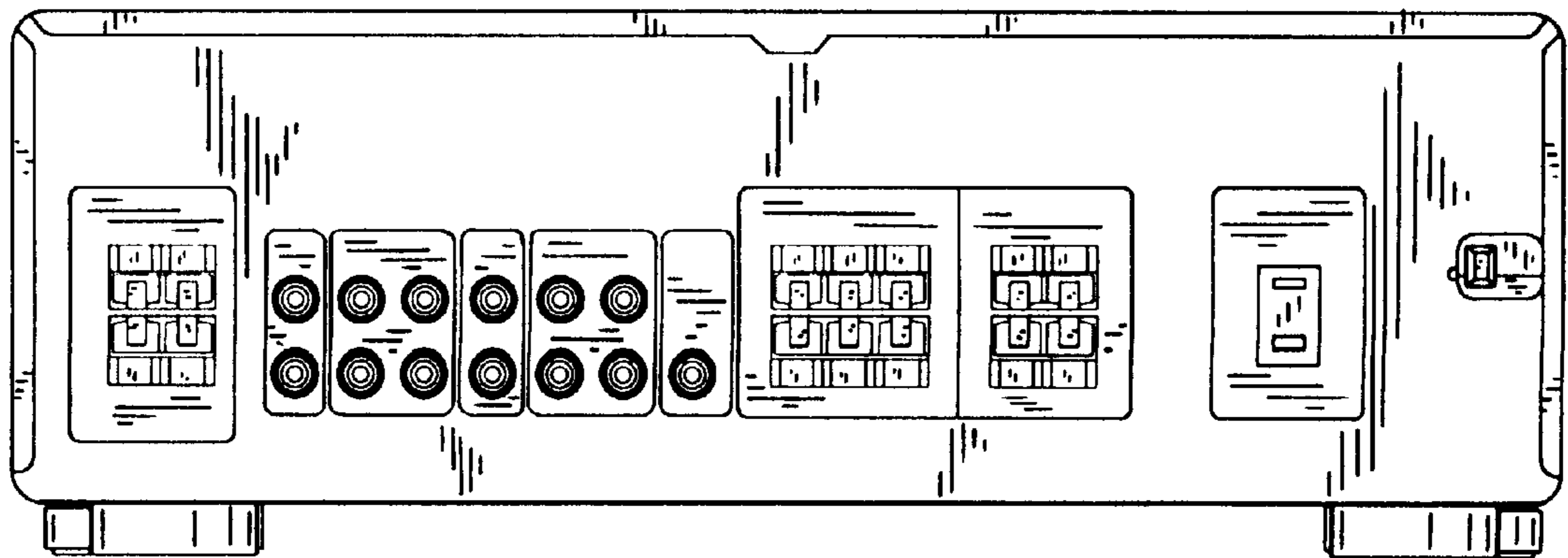


FIG. 4

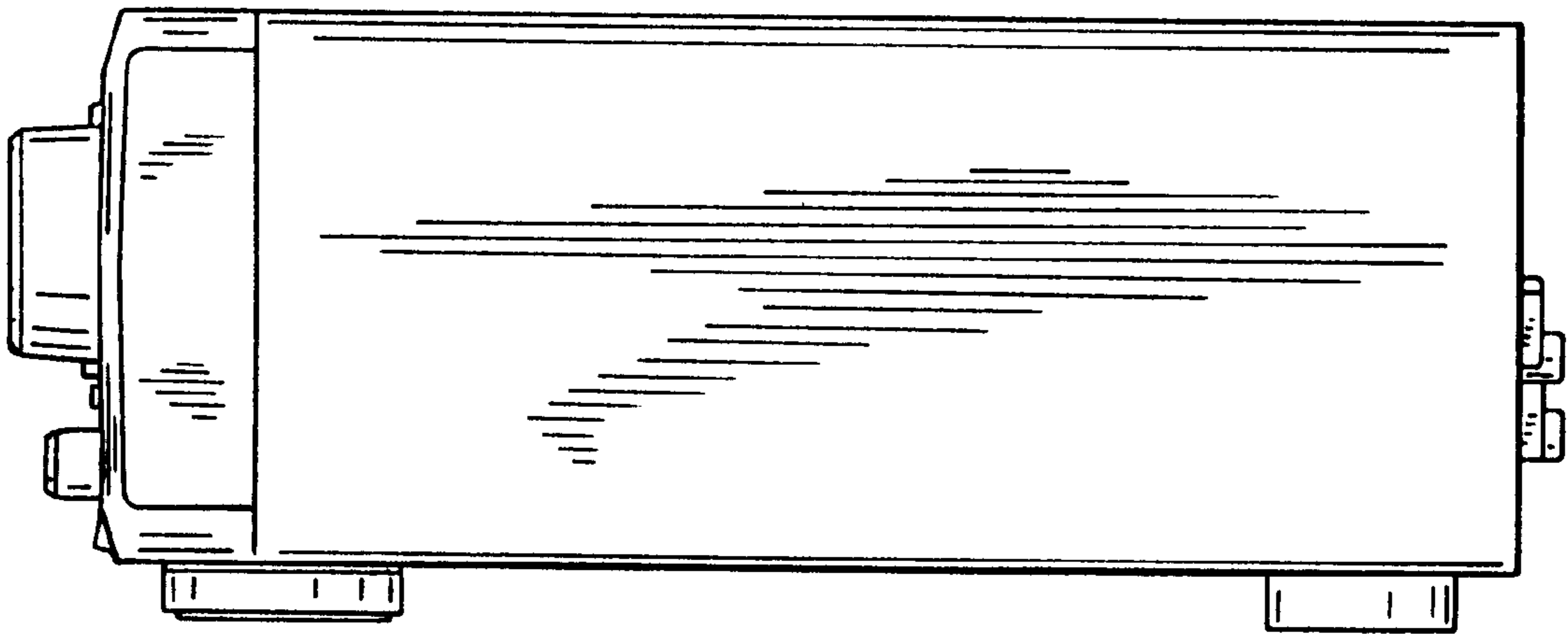


FIG. 7

