



US00D416895S

# United States Patent [19]

[11] **Patent Number: Des. 416,895**

**Fenner et al.**

[45] **Date of Patent: \*\* Nov. 23, 1999**

[54] **CDMA BASED PERSONAL ASSISTANT**

D. 391,572	3/1998	Lee	.....	D14/192
D. 392,336	3/1998	Liu	.....	D21/329
D. 399,885	10/1998	Bagley et al.	.....	D21/329
D. 400,596	11/1998	Keung et al.	.....	D21/329
5,825,675	10/1998	Want et al.	.....	364/708.1

[75] Inventors: **Knut T. Fenner**, Westfield; **Richard Gioscia**, Mahwah, both of N.J.

[73] Assignees: **Sony Corporation of America**, Park Ridge, N.J.; **Sony Corporation**, Tokyo, Japan

*Primary Examiner*—Jeffrey Asch  
*Attorney, Agent, or Firm*—Jay H. Maioli

[\*\*] Term: **14 Years**

### [57] CLAIM

[21] Appl. No.: **29/091,685**

The ornamental design for a CDMA based personal assistant, as shown and described.

[22] Filed: **Aug. 4, 1998**

### DESCRIPTION

[51] **LOC (6) Cl.** ..... **14-03**

FIG. 1 is a bottom, front, and right-side perspective of a CDMA based personal assistant,

[52] **U.S. Cl.** ..... **D14/144; D14/10; D14/138**

FIG. 2 is a bottom, rear and right side perspective view thereof;

[58] **Field of Search** ..... D14/137, 138,

FIG. 3 is a front elevational view thereof;

D14/144, 147–148, 247–248, 250, 240, 140–142, 192, 100, 106, 115; 379/433, 434, 419, 420, 428, 440, 110.01; 455/550–575, 90; D21/239, 234; D18/7; 364/708.1, 705.01; 361/863; 345/168–169, 172–173, 905

FIG. 4 is a top plan view thereof;

FIG. 5 is a bottom plan view thereof;

FIG. 6 is a right-side elevational view thereof;

FIG. 7 is a left-side elevational view thereof; and,

FIG. 8 is a rear elevational view thereof.

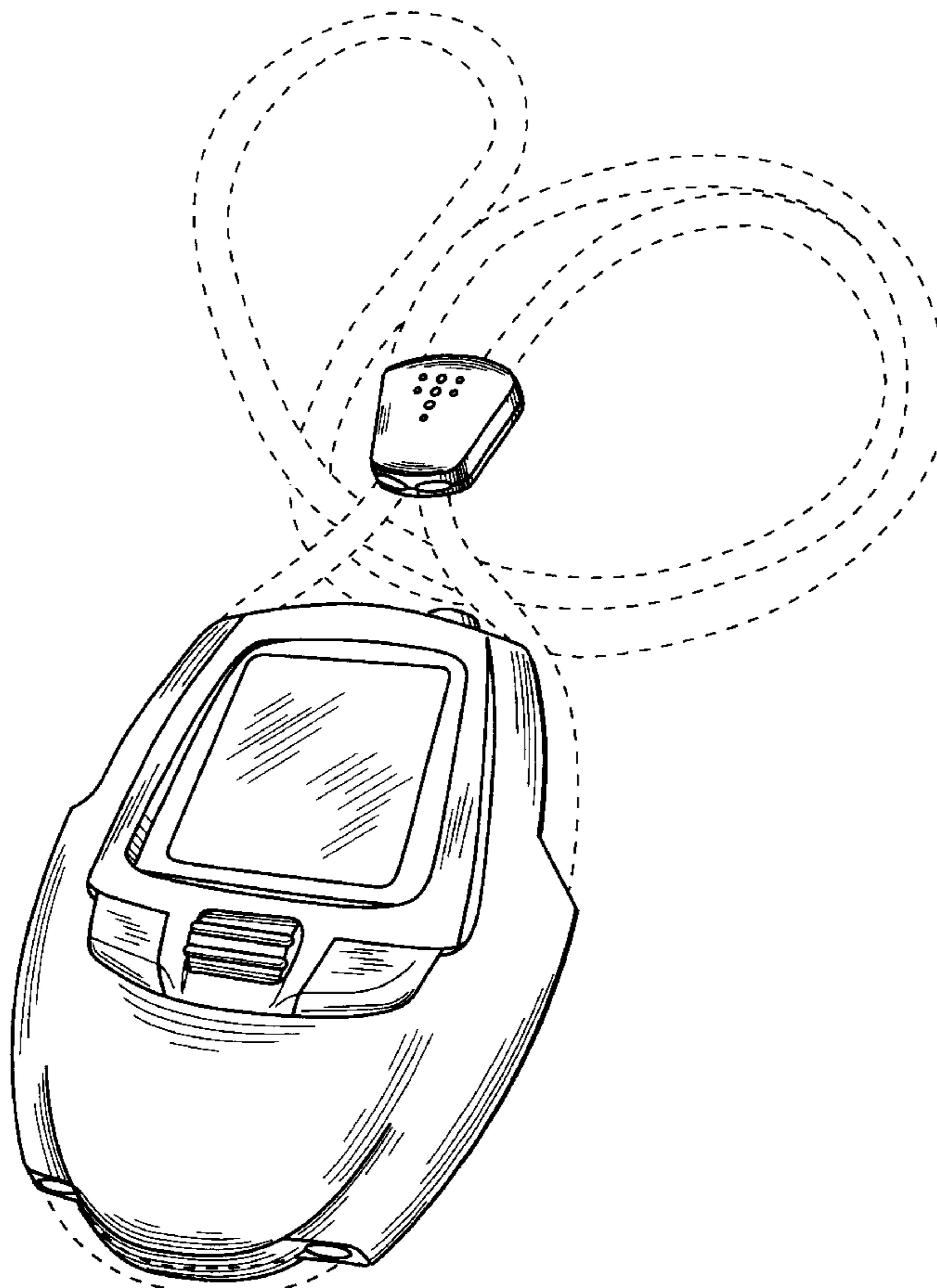
The broken line showings throughout the views are for illustrative purposes only and form no part of the claimed design.

### [56] References Cited

#### U.S. PATENT DOCUMENTS

D. 362,692	9/1995	Rissman et al.	.....	D21/329
D. 390,509	2/1998	Antzinas et al.	.....	D14/138

**1 Claim, 4 Drawing Sheets**



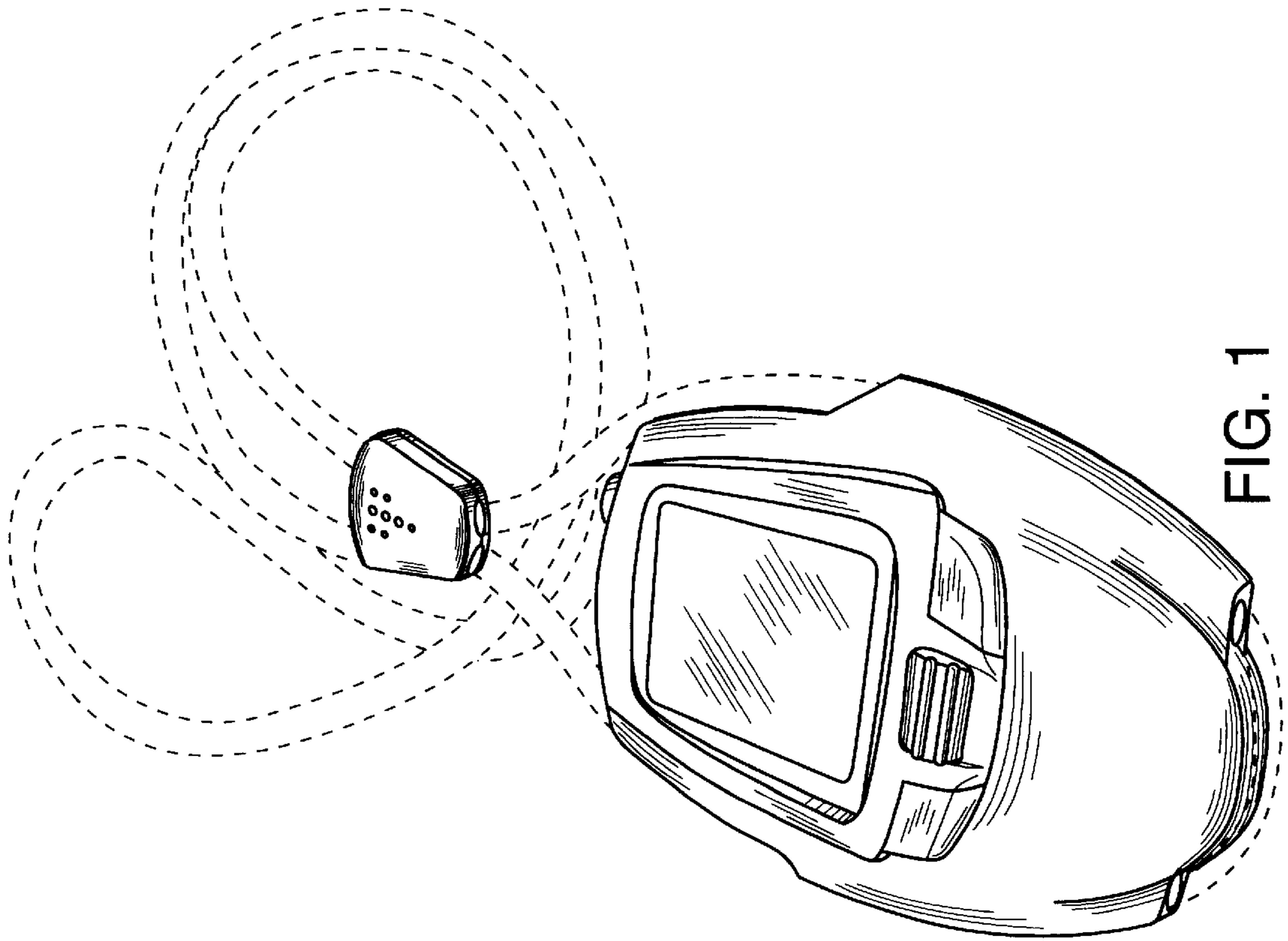


FIG. 1

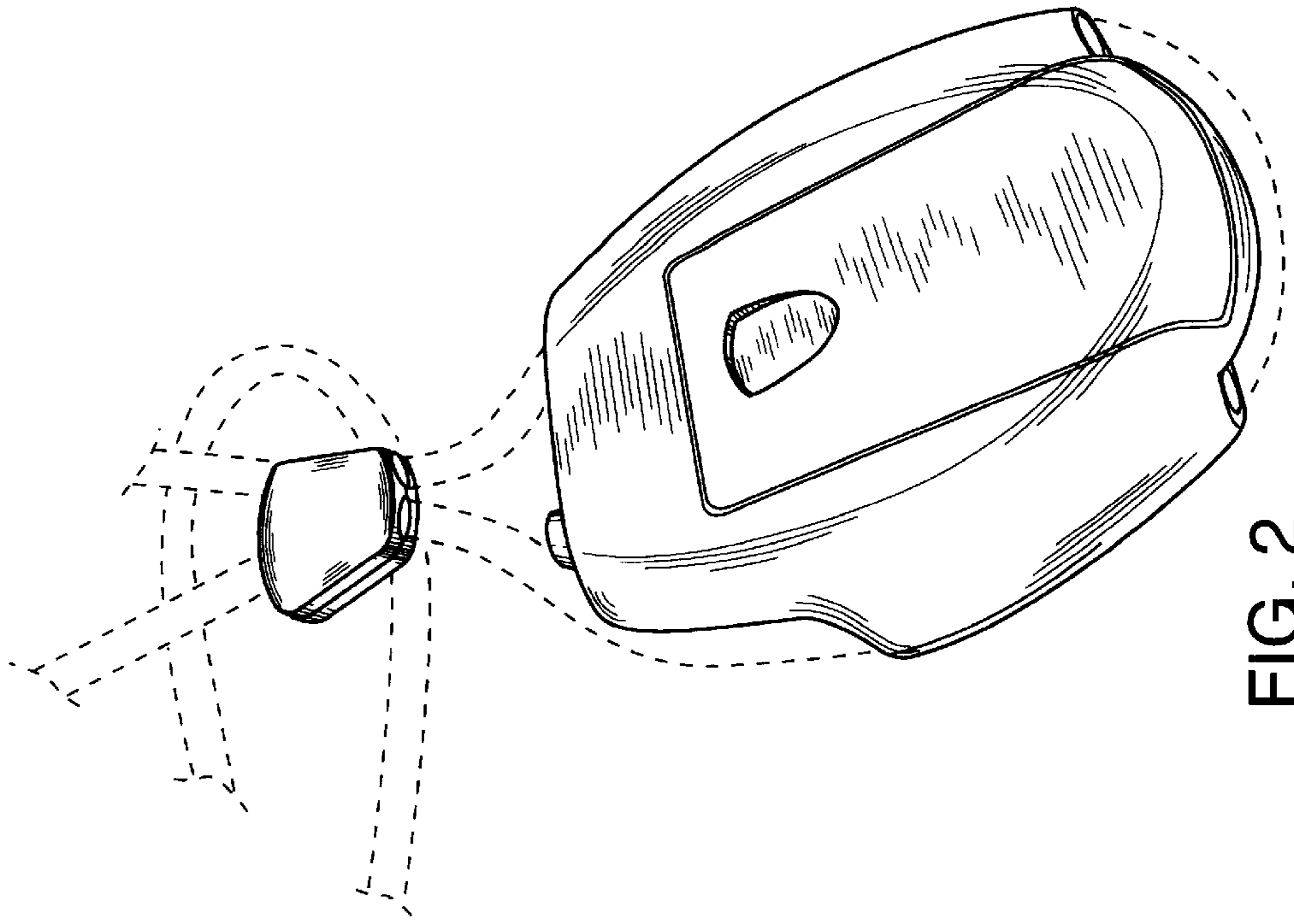


FIG. 2

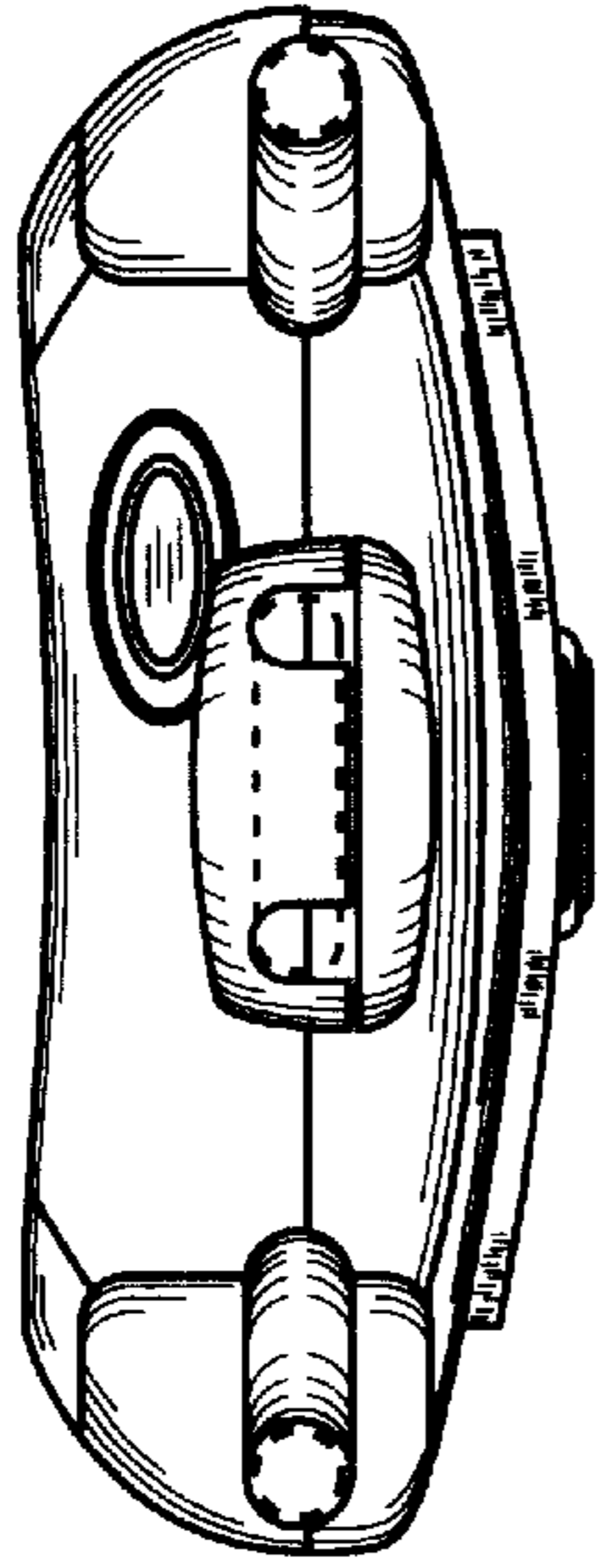


FIG. 4

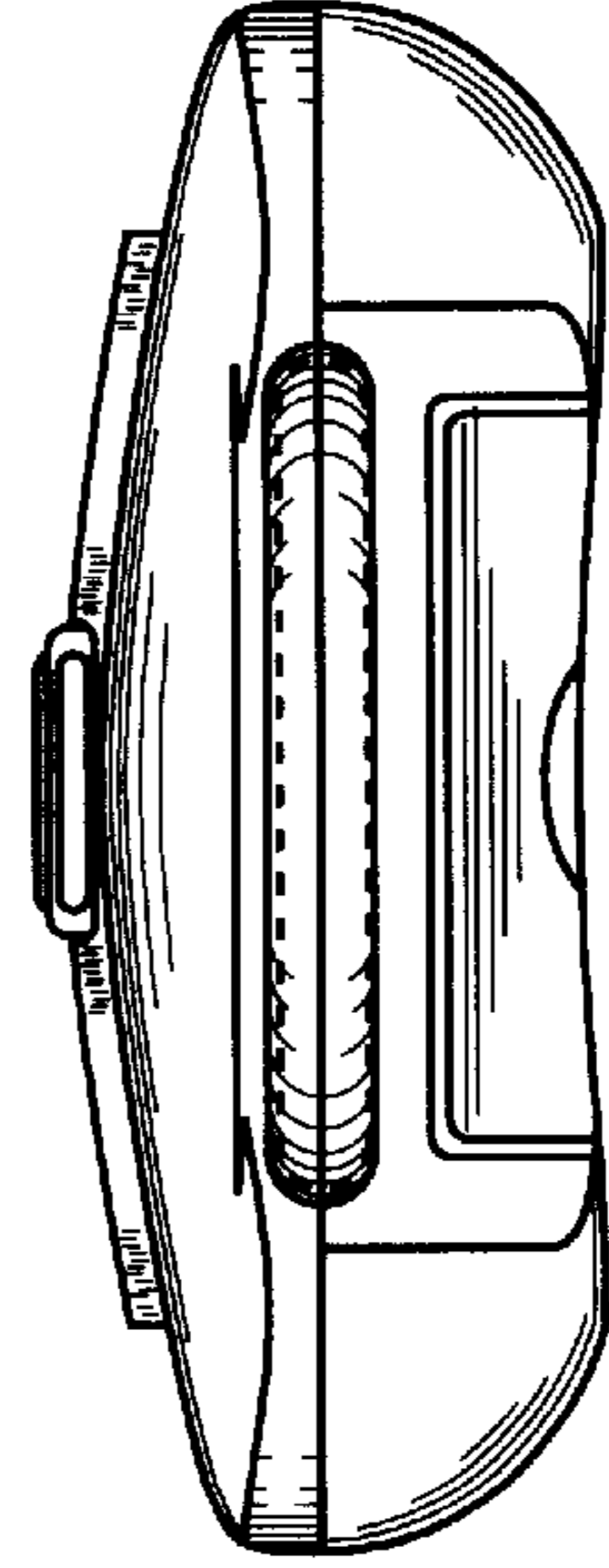


FIG. 5

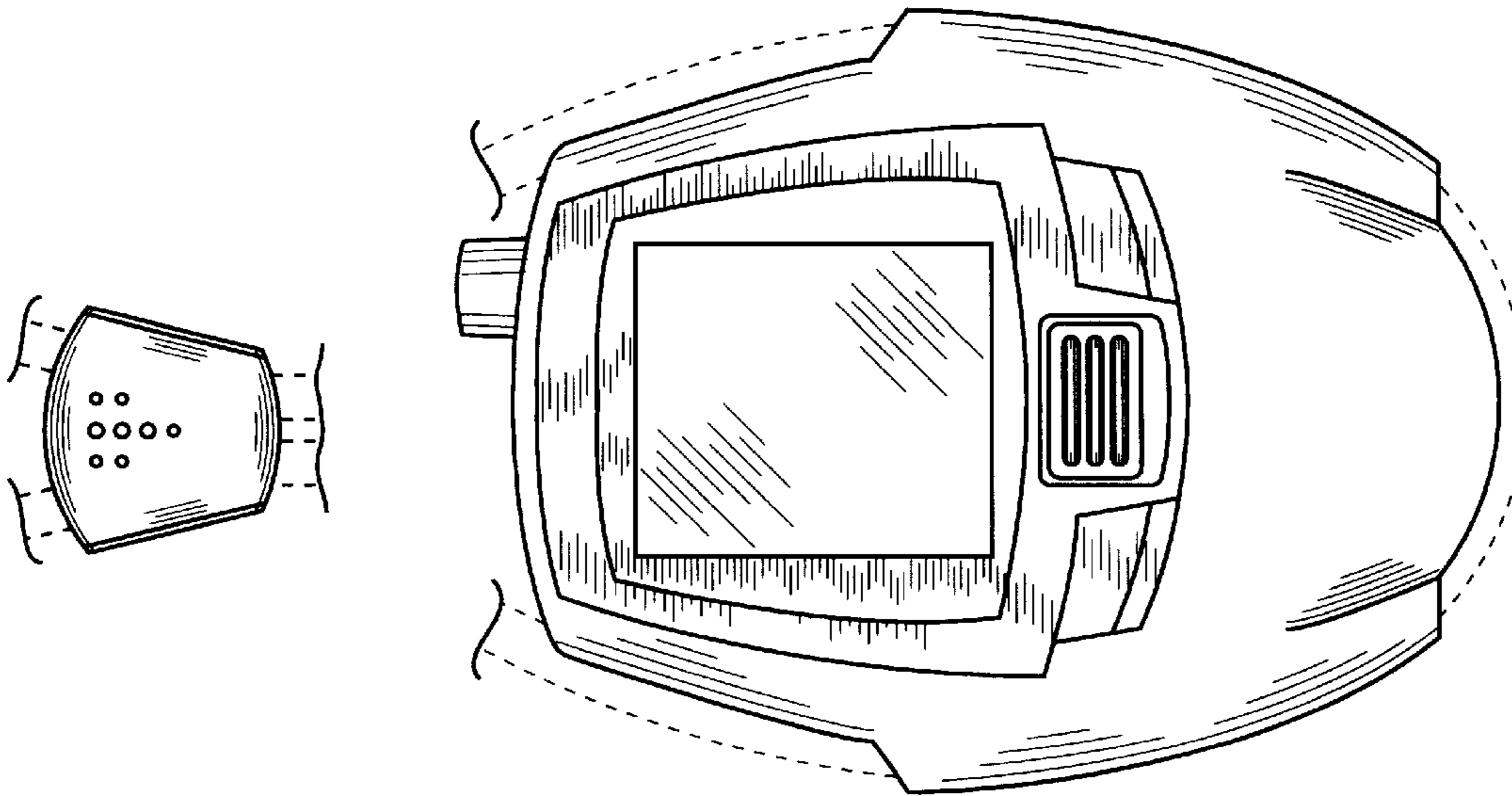


FIG. 3

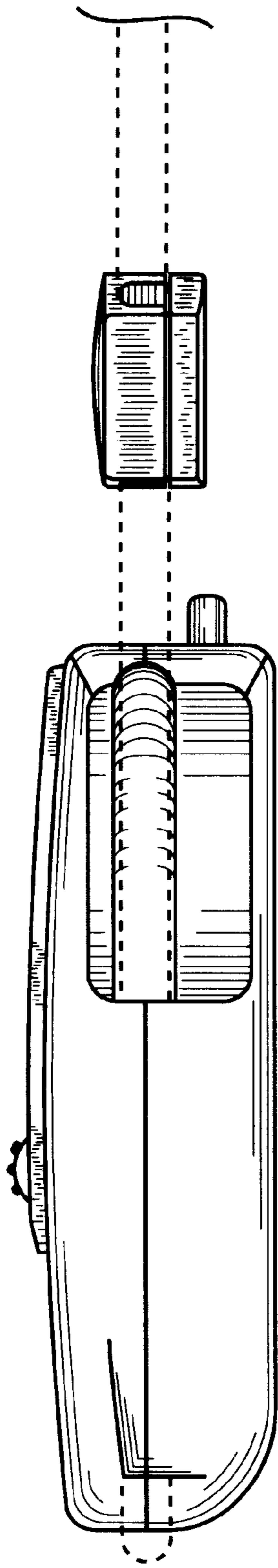


FIG. 6

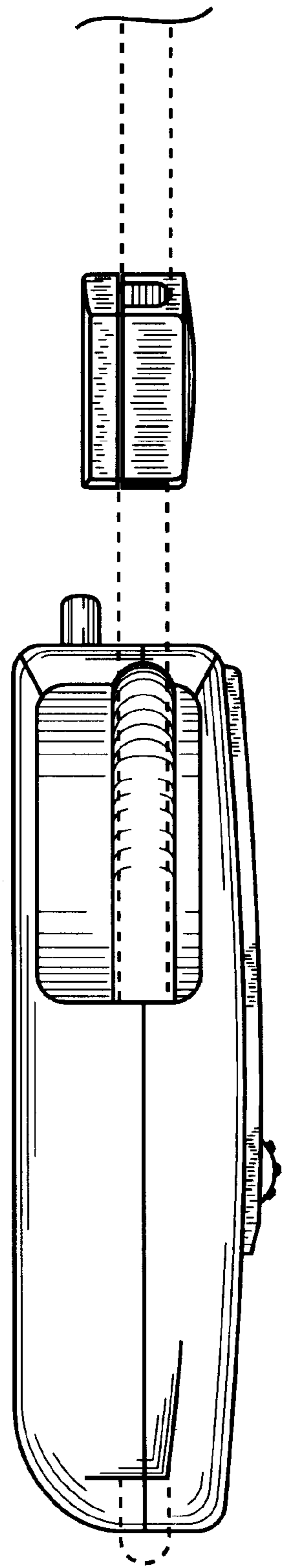


FIG. 7



FIG. 8