



US00D416891S

United States Patent [19]

[11] **Patent Number: Des. 416,891**

Hyogo et al.

[45] **Date of Patent: ** Nov. 23, 1999**

[54] **VIDEO TAPE RECORDER**

Attorney, Agent, or Firm—Foley & Lardner

[75] Inventors: **Kuninori Hyogo; Yozo Matsuzaka,**
both of Tokyo, Japan

[57] **CLAIM**

The ornamental design for a video tape recorder, as shown and described.

[73] Assignee: **Sony Corporation,** Tokyo, Japan

[**] Term: **14 Years**

DESCRIPTION

[21] Appl. No.: **29/095,747**

FIG. 1 is a perspective view of a first embodiment of a video tape recorder showing our new design;

[22] Filed: **Oct. 29, 1998**

FIG. 2 is a top plan view thereof;

[51] **LOC (6) Cl. 14-01**

FIG. 3 is a rear elevational view thereof.

[52] **U.S. Cl. D14/135**

FIG. 4 is a left side elevational view thereof;

[58] **Field of Search D14/124, 125,**
D14/135, 136, 156, 160, 239; 386/46; 369/75.1

FIG. 5 is a front elevational view thereof;

FIG. 6 is a bottom plan view thereof; and

FIG. 7 is a right side elevational view thereof.

[56] **References Cited**

FIG. 8 is a perspective view of a second embodiment of a video tape recorder showing our new design;

U.S. PATENT DOCUMENTS

- D. 327,058 6/1992 Maeyama D14/135
- D. 372,711 8/1996 Hyogo D14/135
- D. 377,350 1/1997 Niitsu D14/135
- D. 387,755 12/1997 Shintani D14/135
- D. 394,655 5/1998 Niitsu D14/156

FIG. 9 is a top plan view thereof;

FIG. 10 is a rear elevational view thereof.

FIG. 11 is a left side elevational view thereof;

FIG. 12 is a front elevational view thereof;

OTHER PUBLICATIONS

Catalog "89", pp. 27, 28 & 29, Sony, (Jul. 1998).

FIG. 13 is a bottom plan view thereof; and,

FIG. 14 is a right side elevational view thereof.

Primary Examiner—Ted Shooman
Assistant Examiner—Richelle Shelton

1 Claim, 8 Drawing Sheets

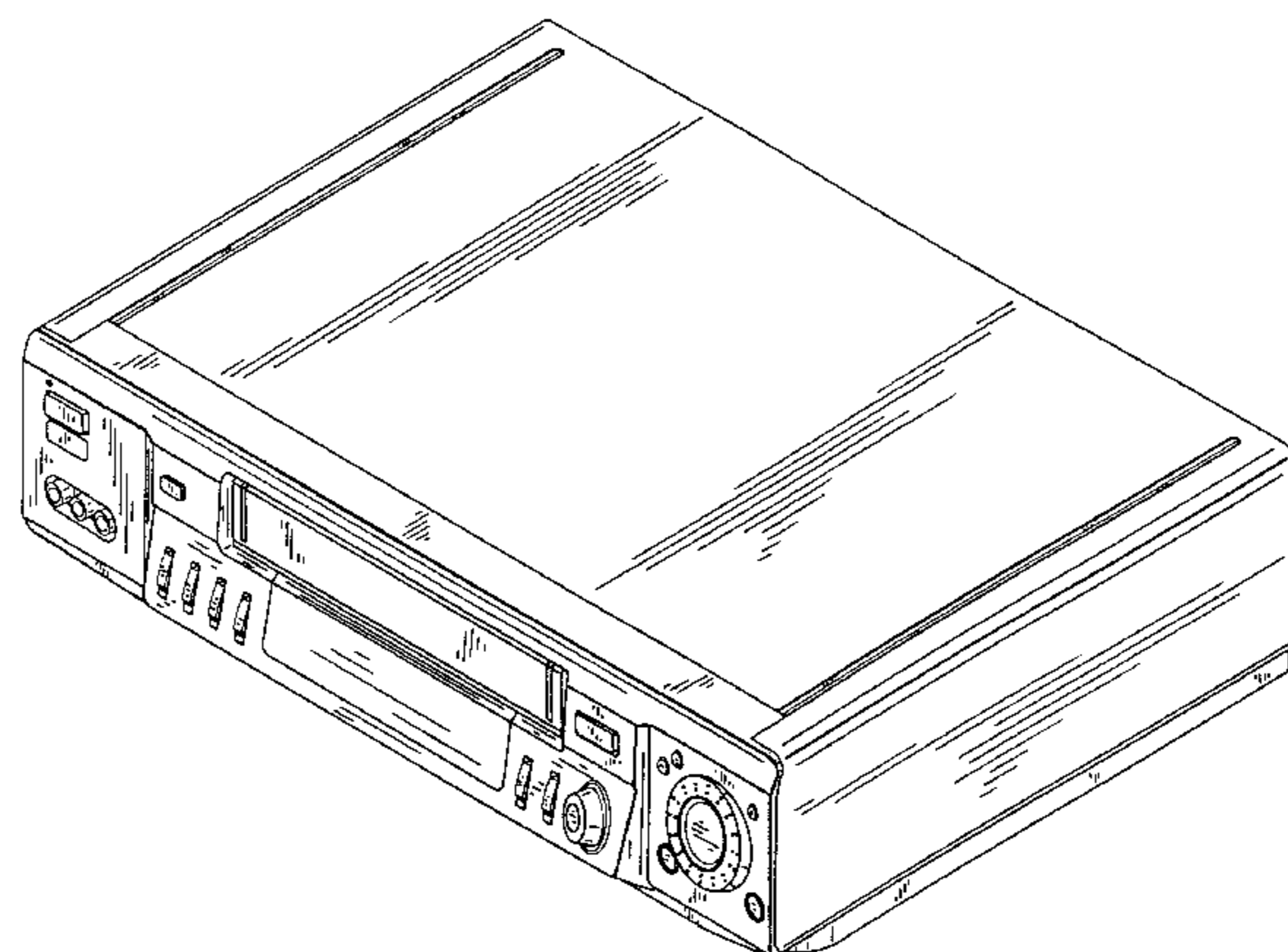
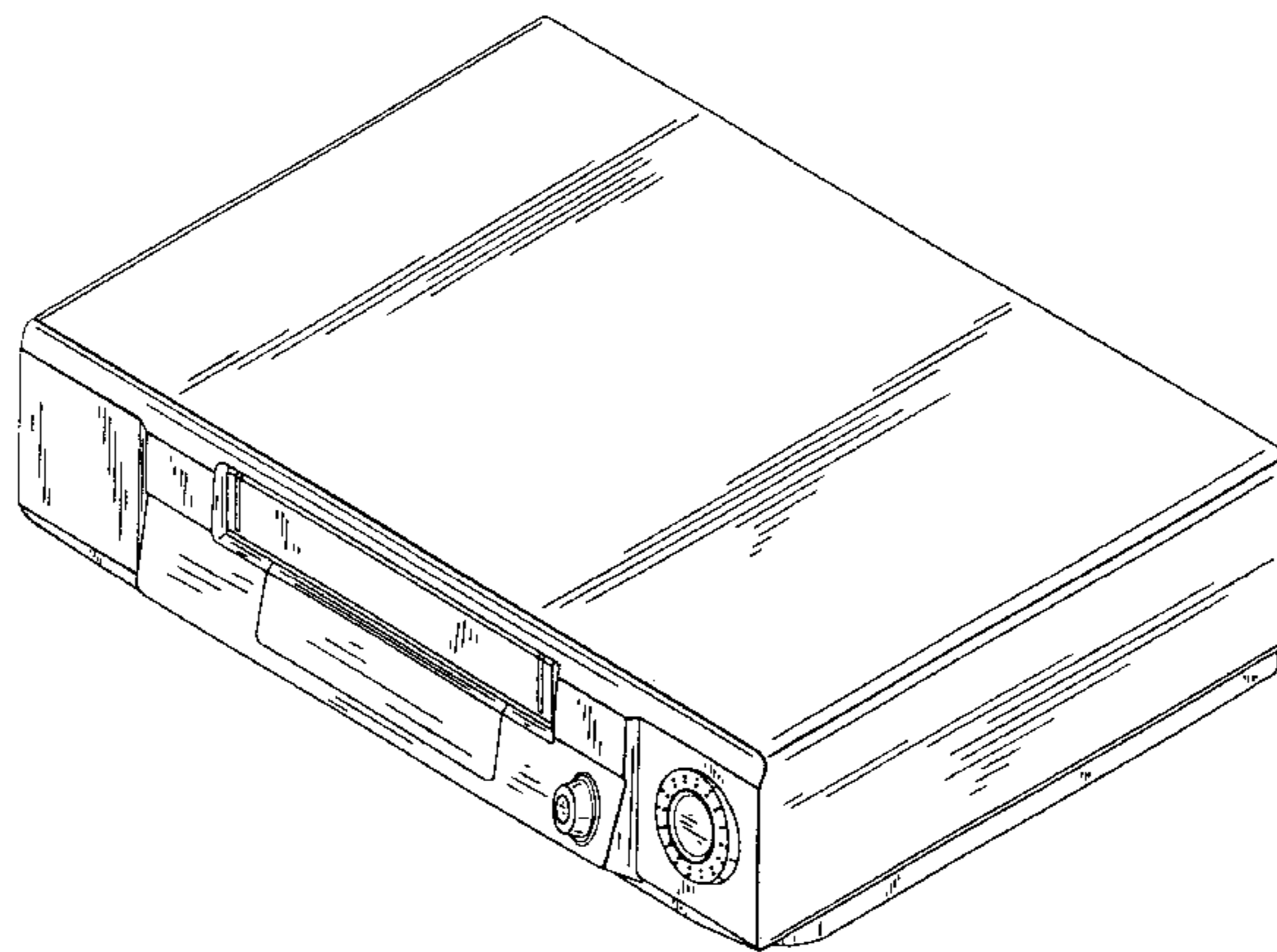


FIG. 1

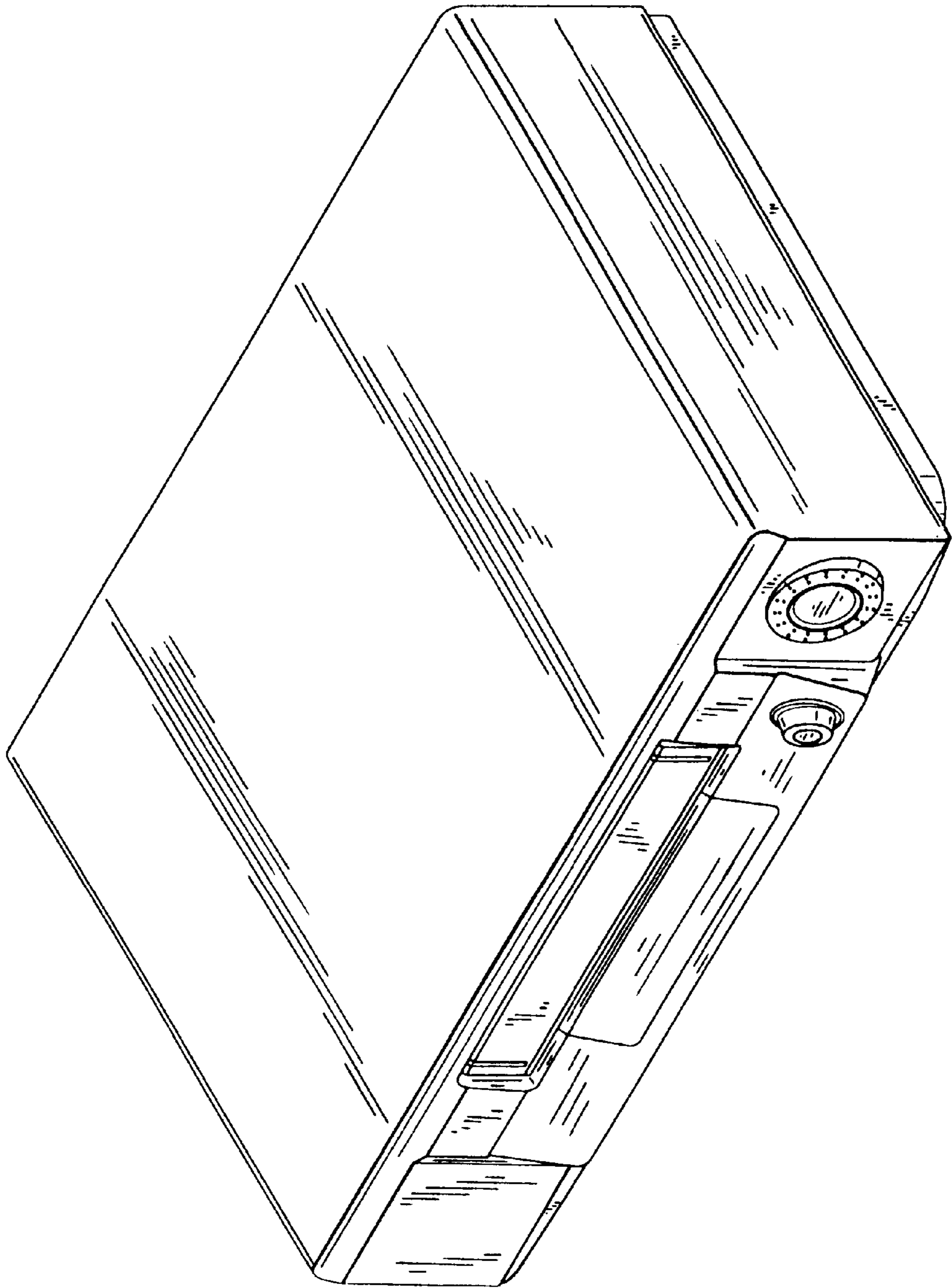


FIG. 2

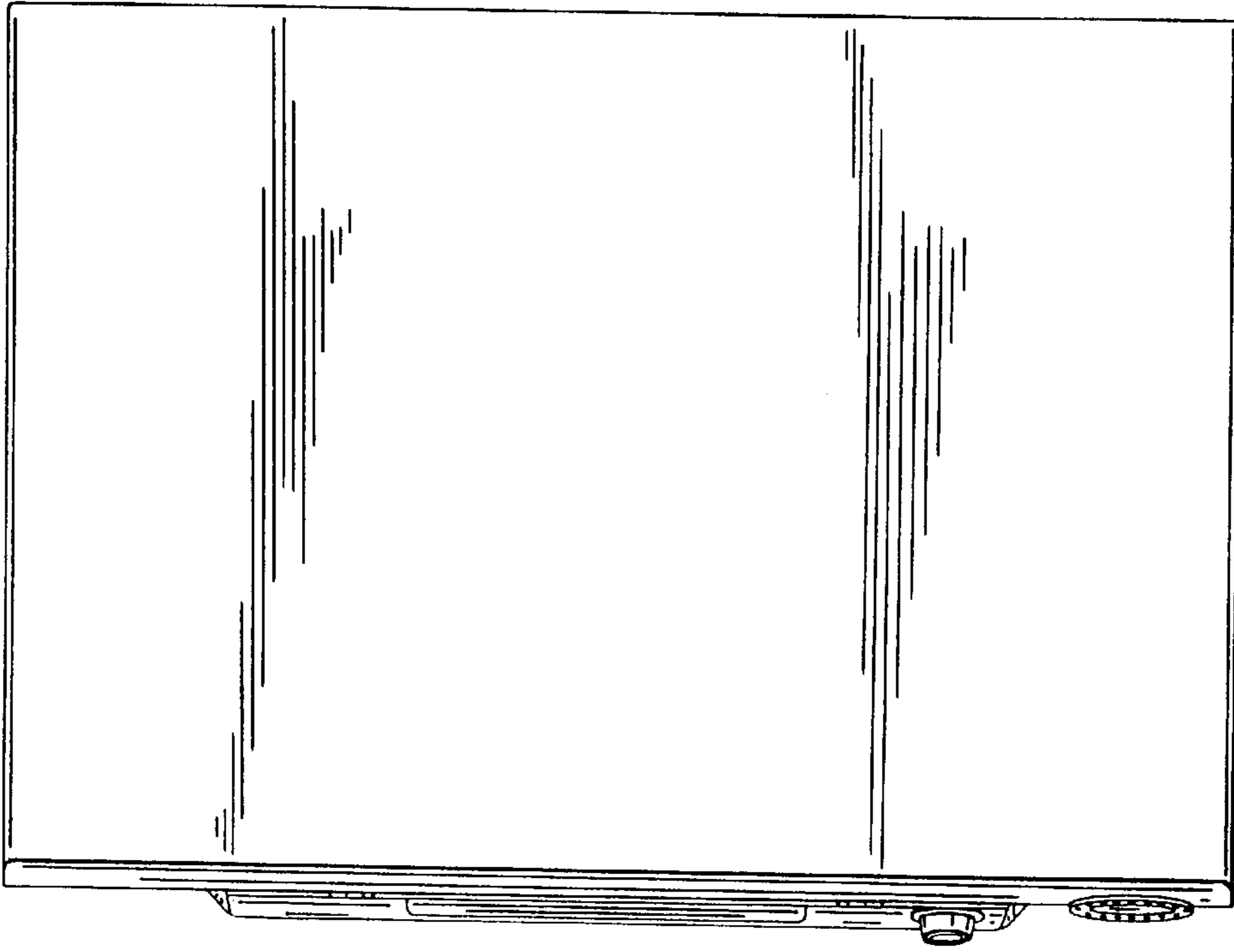


FIG. 6

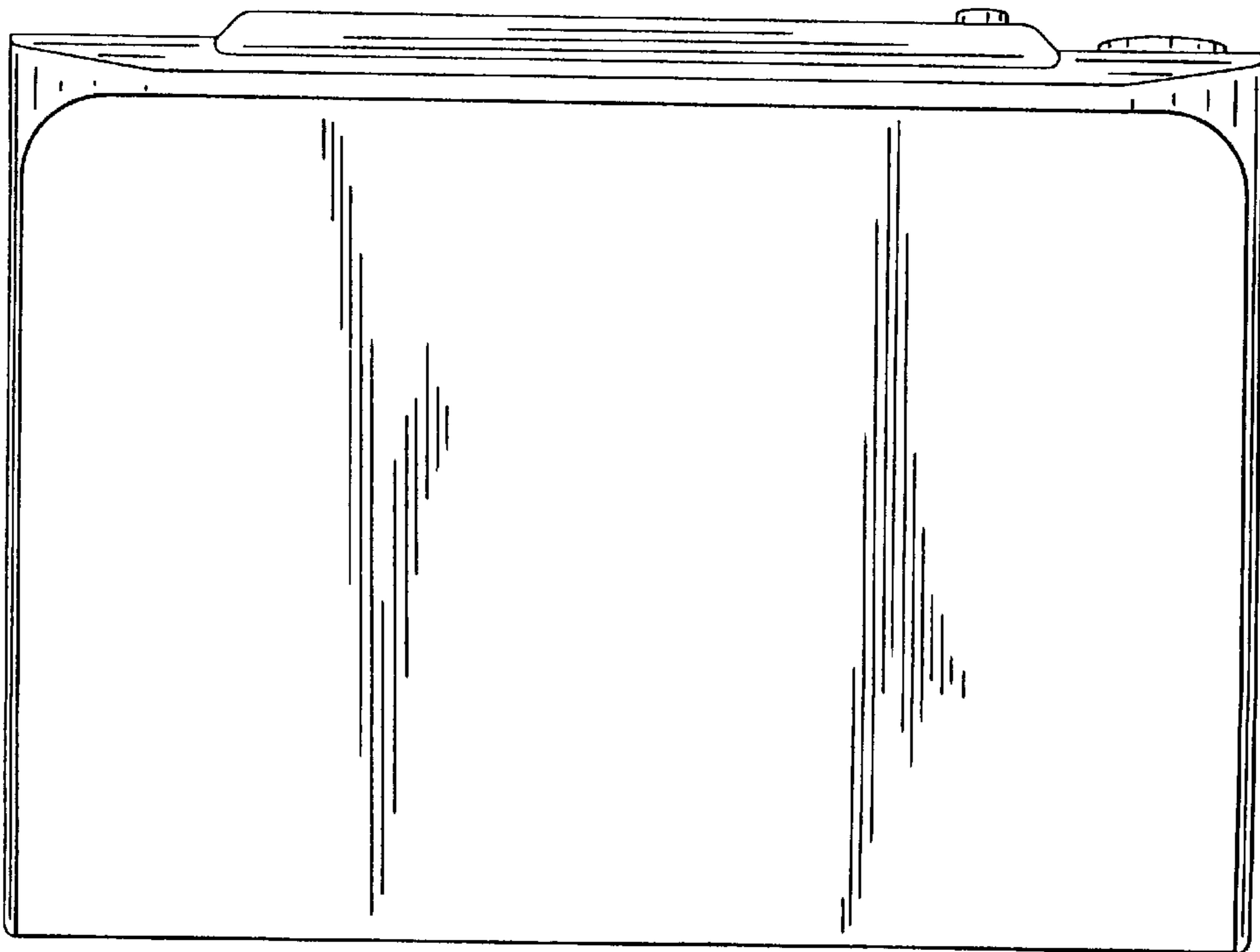


FIG. 3

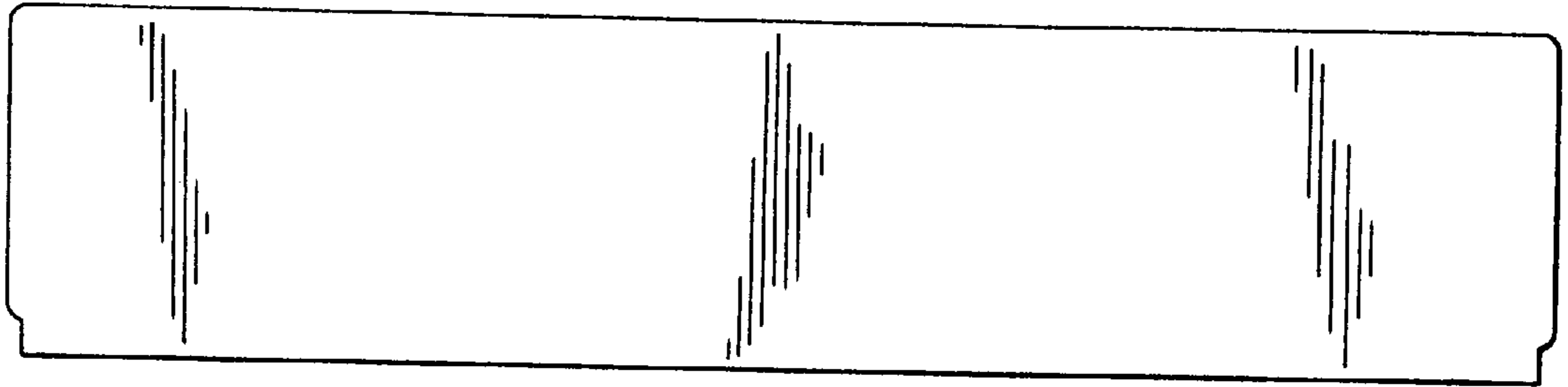


FIG. 5

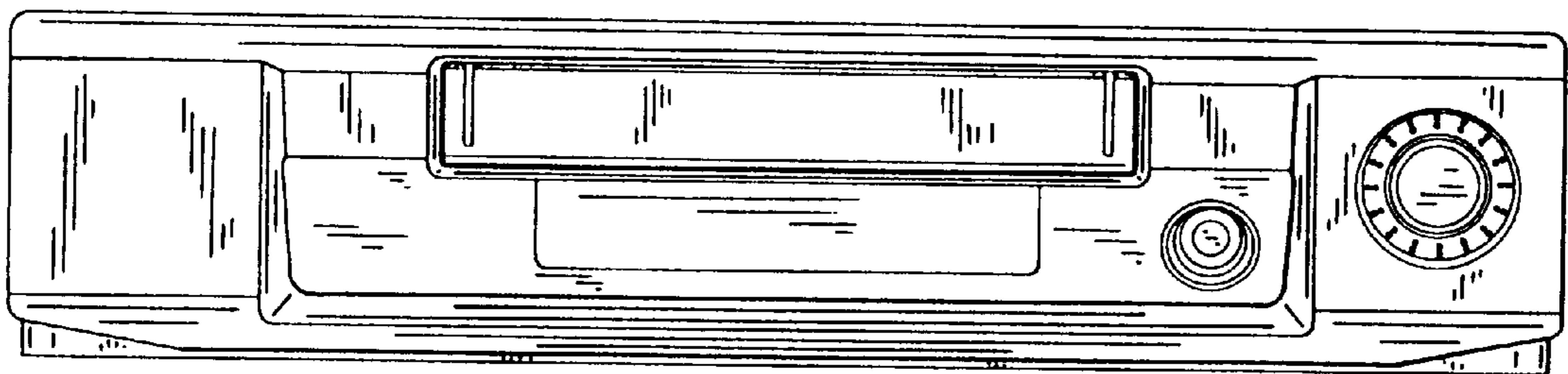


FIG. 4

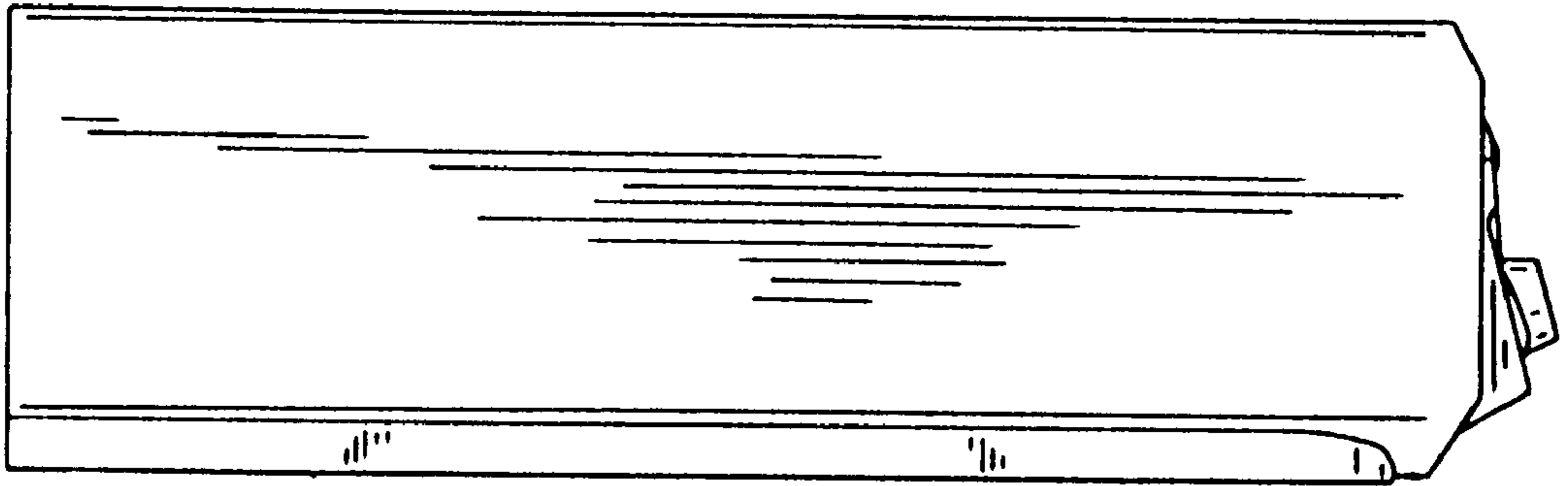


FIG. 7

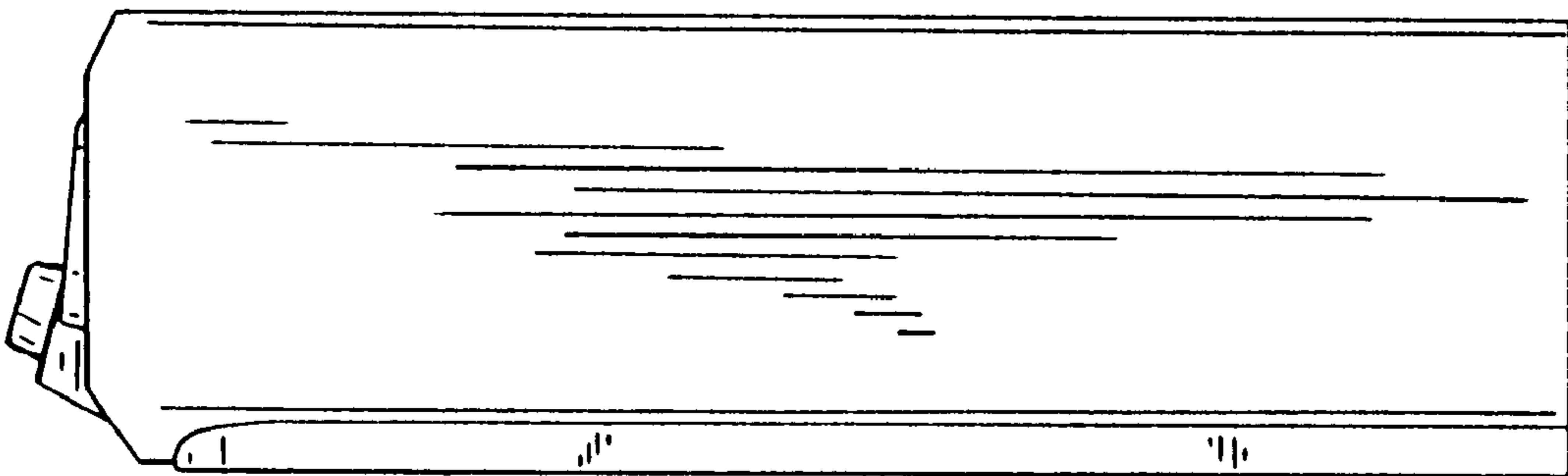


FIG. 8

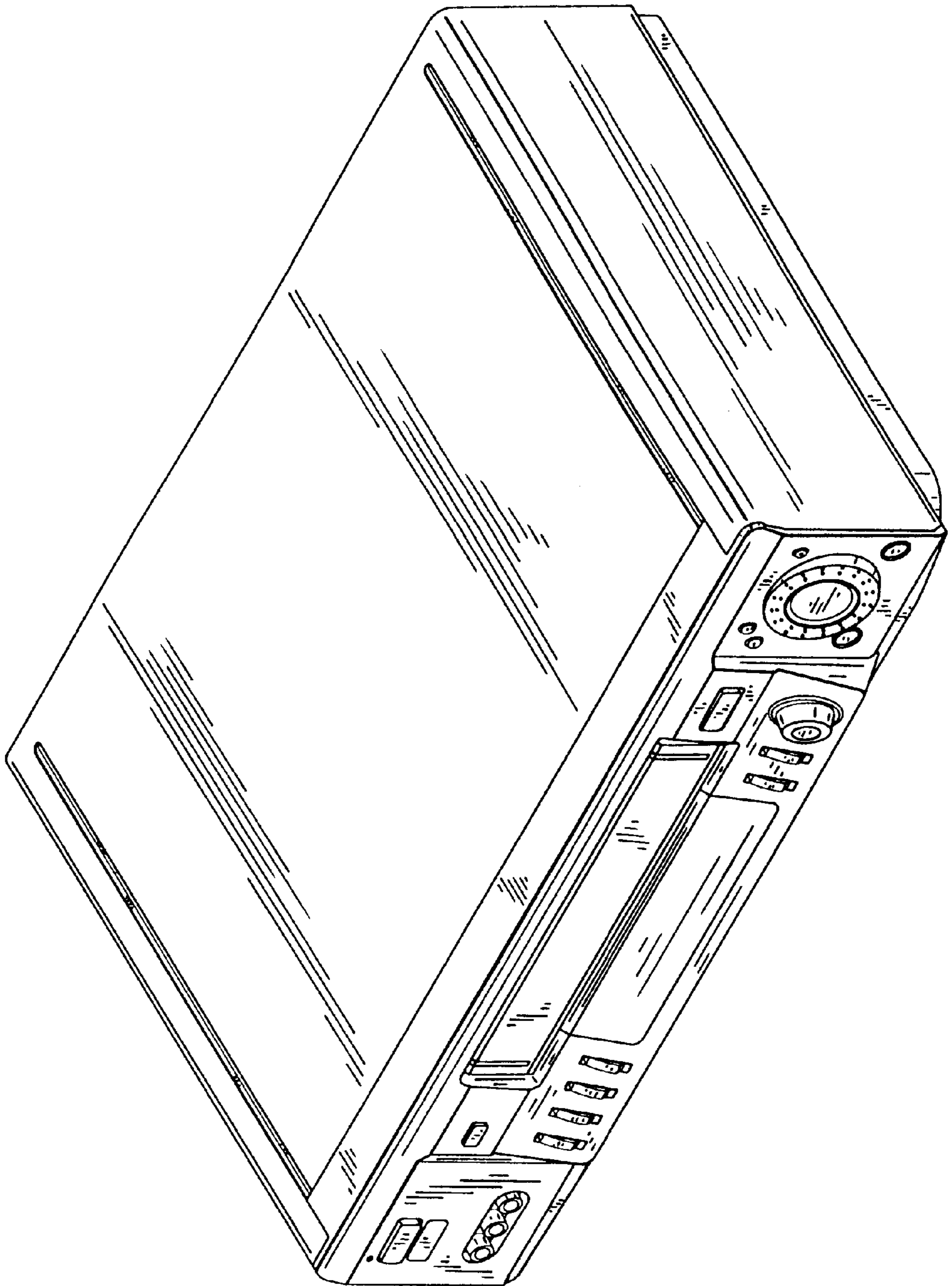


FIG. 9

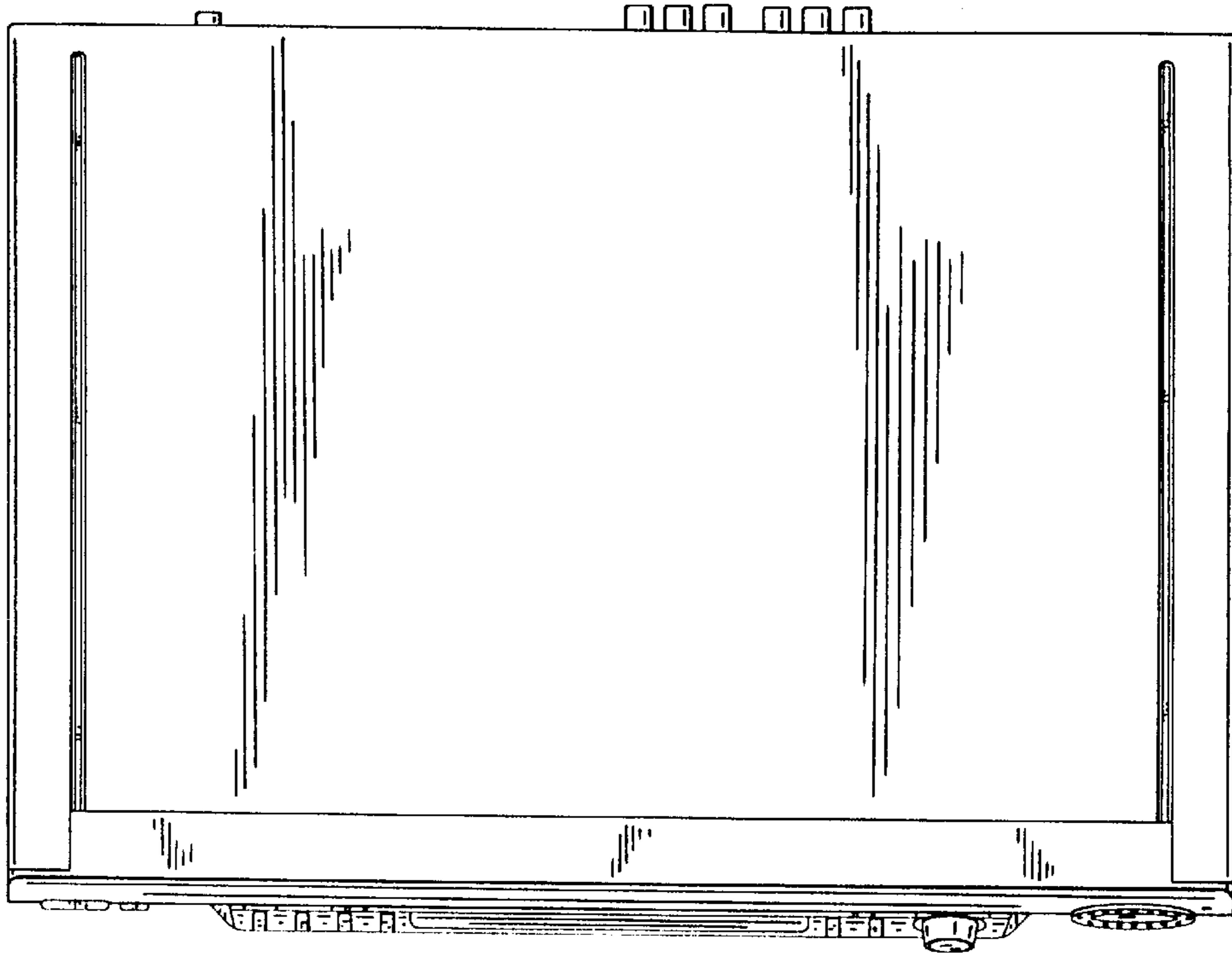


FIG. 13

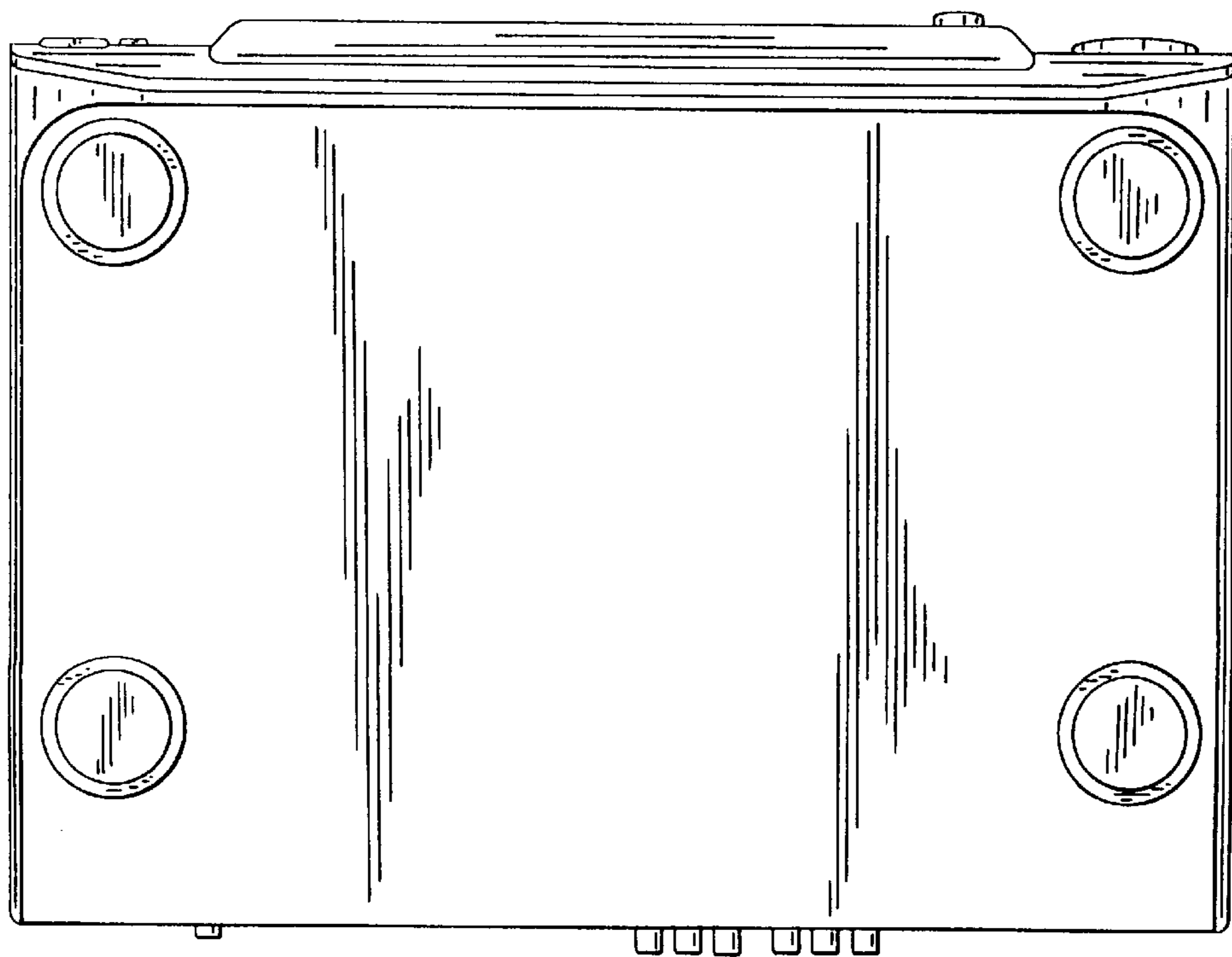


FIG. 10

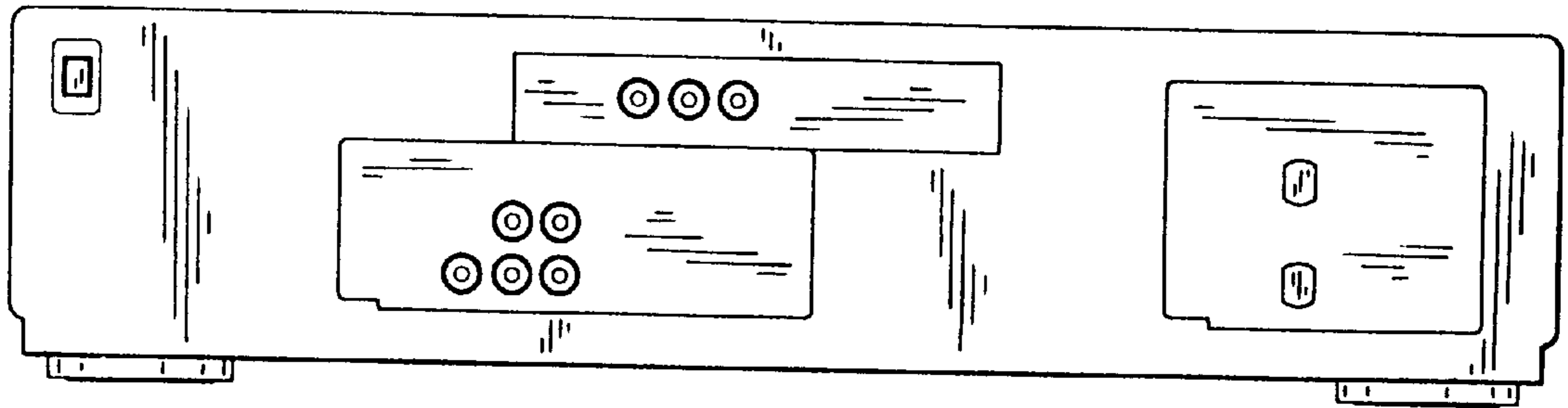


FIG. 12

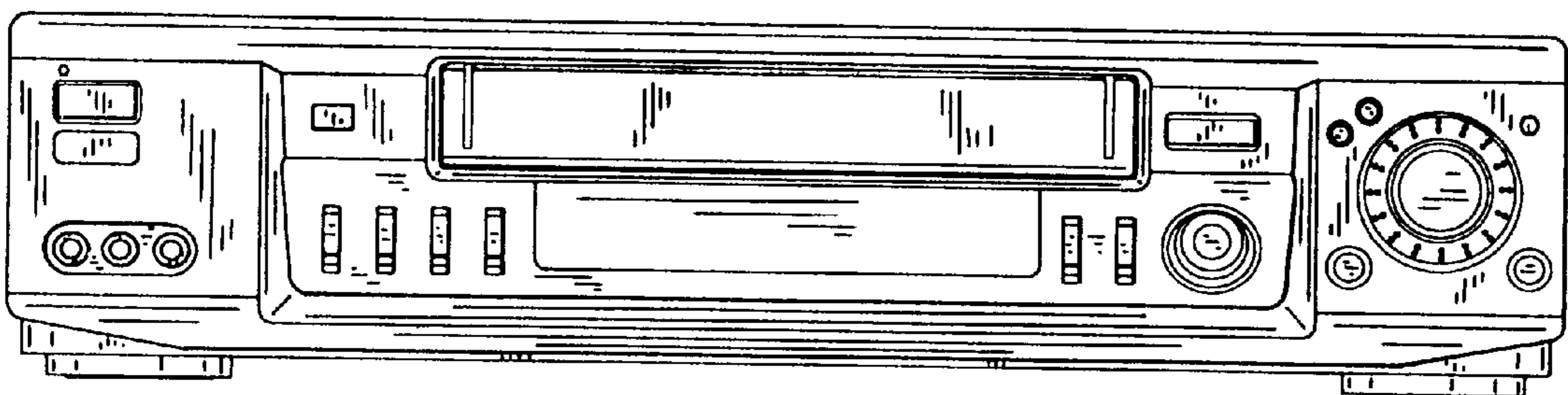


FIG. 11

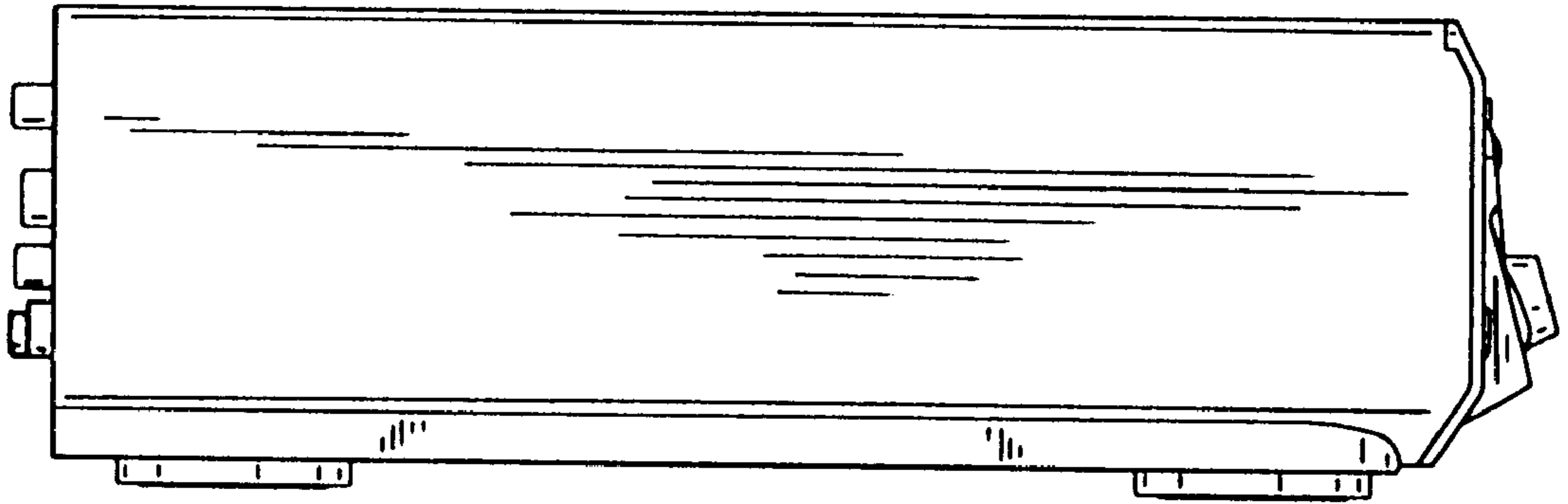


FIG. 14

