



US00D416890S

United States Patent [19] Matsuoka

[11] **Patent Number: Des. 416,890**

[45] **Date of Patent: ** Nov. 23, 1999**

[54] **TELEVISION MONITOR**

[75] Inventor: **Fumiya Matsuoka**, Tokyo, Japan

[73] Assignee: **Sony Corporation**, Tokyo, Japan

[**] Term: **14 Years**

[21] Appl. No.: **29/085,683**

[22] Filed: **Mar. 27, 1998**

[30] **Foreign Application Priority Data**

Sep. 29, 1997 [JP] Japan 9-69516

[51] **LOC (6) Cl.** **14-03**

[52] **U.S. Cl.** **D14/126**

[58] **Field of Search** D14/126-134,
D14/113; 312/7.2; 348/836, 838

[56] **References Cited**

U.S. PATENT DOCUMENTS

D. 384,342 9/1997 Maeno et al. D14/126

D. 394,650 5/1998 Hirokawa D14/129

OTHER PUBLICATIONS

Sony Catalog 87, pp. 35 and 37, Nov. 1997.

Primary Examiner—Ted Shooman

Assistant Examiner—Richelle Shelton

Attorney, Agent, or Firm—Foley & Lardner

[57] **CLAIM**

The ornamental design for a television monitor, as shown and described.

DESCRIPTION

FIG. 1 is a perspective view of a first embodiment of a television monitor showing my new design;

FIG. 2 is a reduced top plan view of the television monitor;

FIG. 3 is a left side elevational view thereof, the right side elevational view being the mirror image;

FIG. 4 is a front elevational view thereof; and,

FIG. 5 is a rear elevational view thereof.

FIG. 6 is a perspective view of a second embodiment of a television monitor showing my new design;

FIG. 7 is a reduced top plan view of the second embodiment of the television monitor;

FIG. 8 is a left side elevational view thereof;

FIG. 9 is a front elevational view thereof;

FIG. 10 is a bottom plan view thereof;

FIG. 11 is a right side elevational view thereof; and,

FIG. 12 is a rear elevational view thereof.

1 Claim, 7 Drawing Sheets

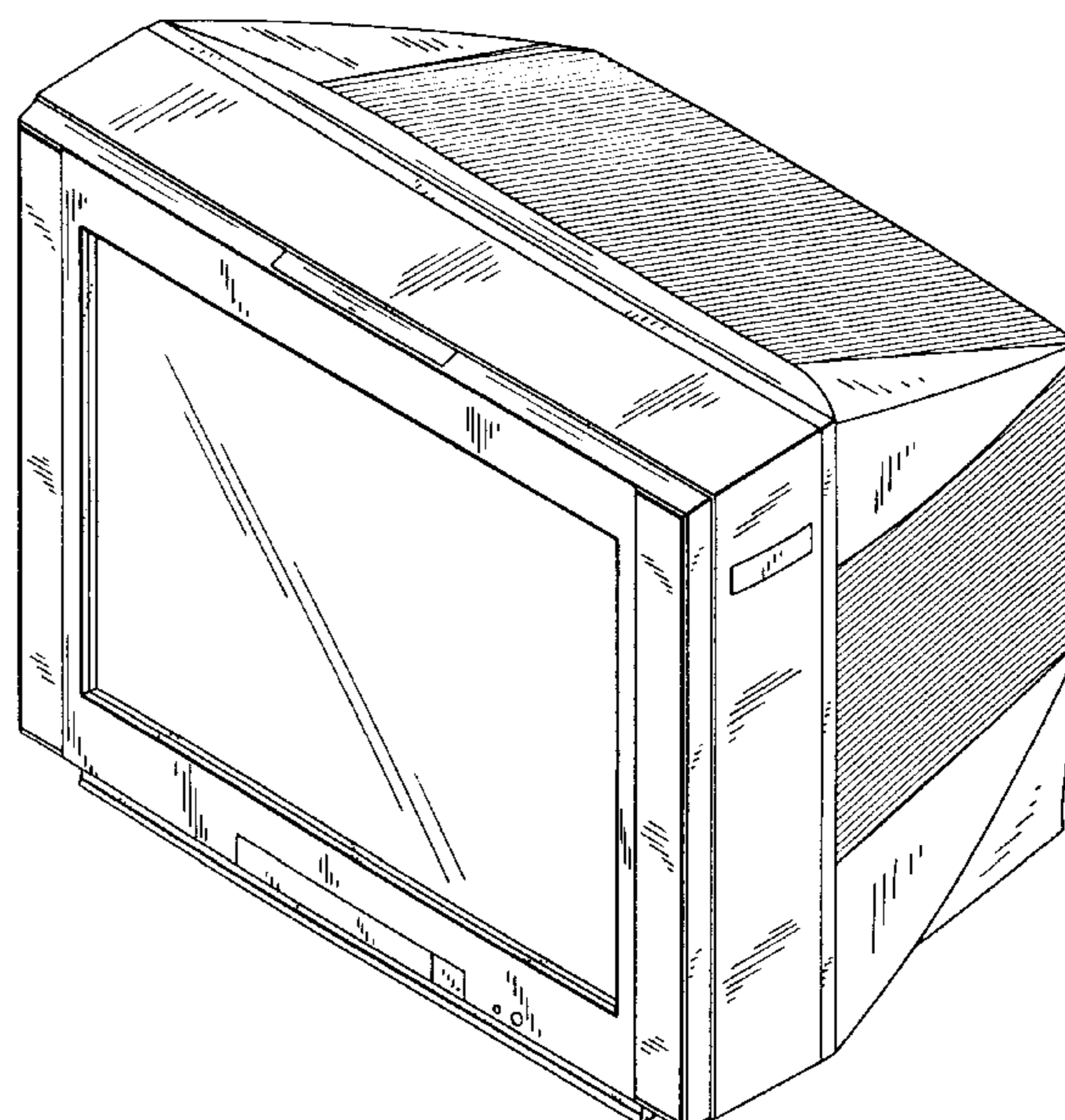
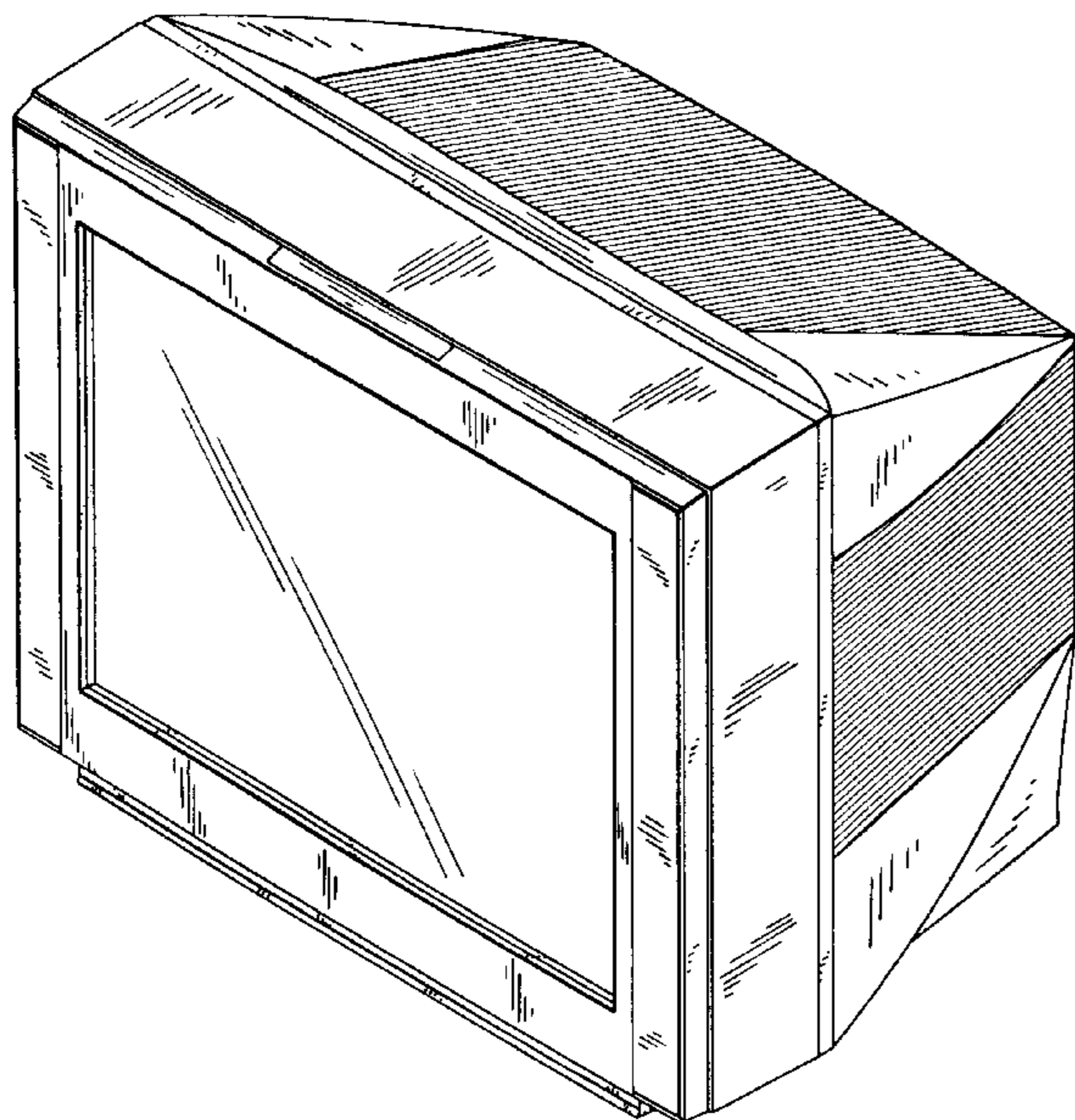


FIG. 1

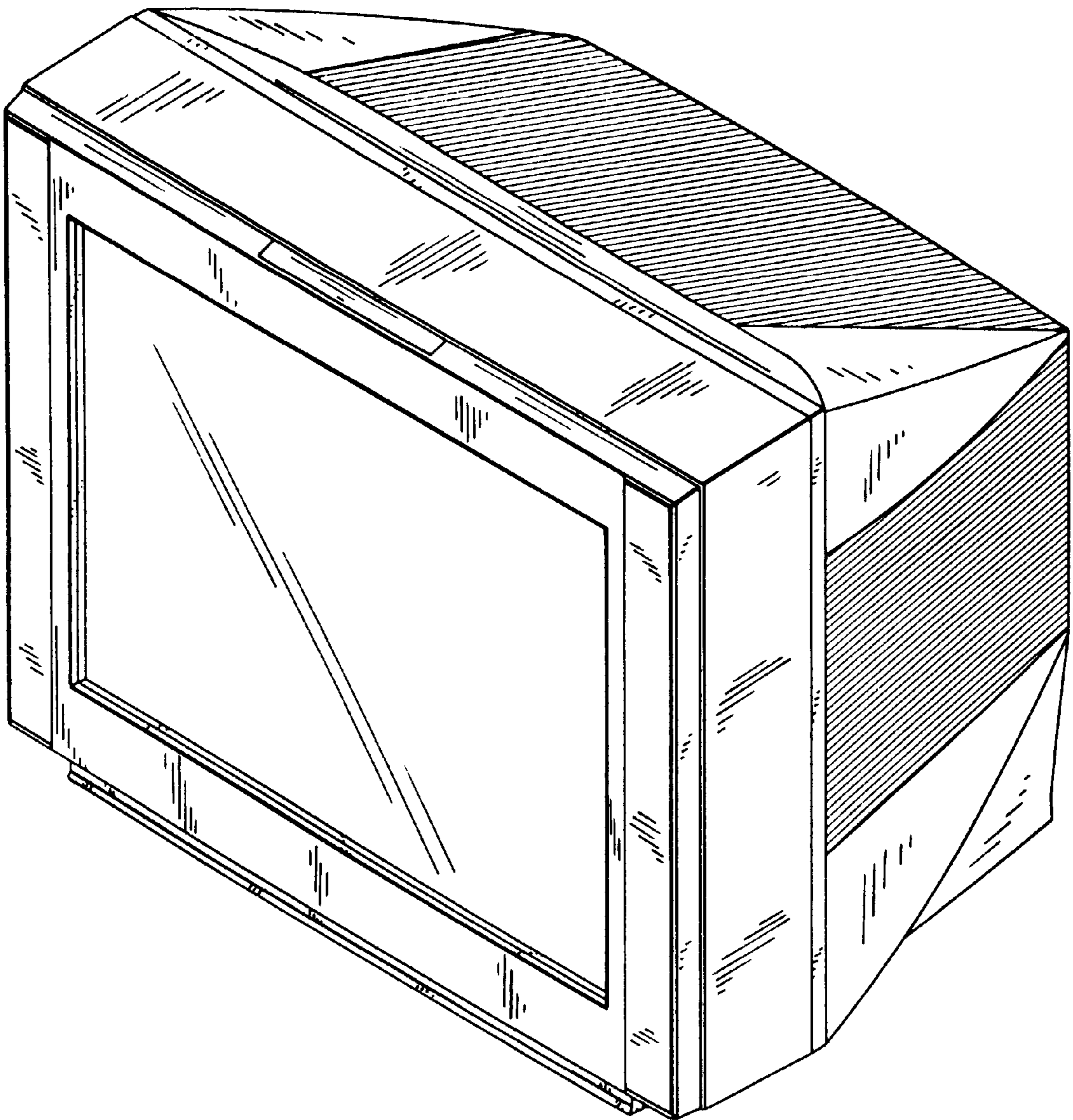


FIG. 3

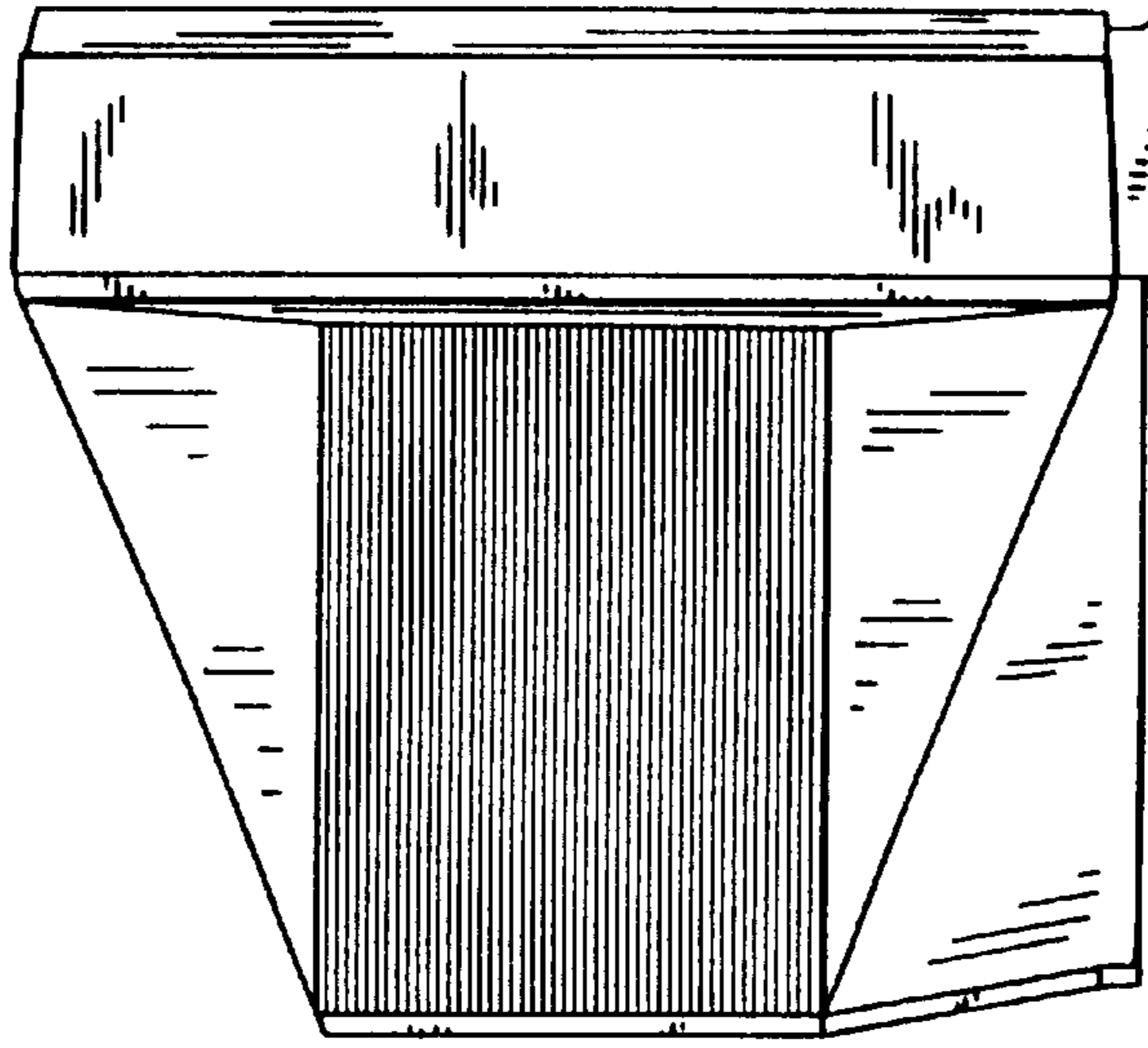


FIG. 2

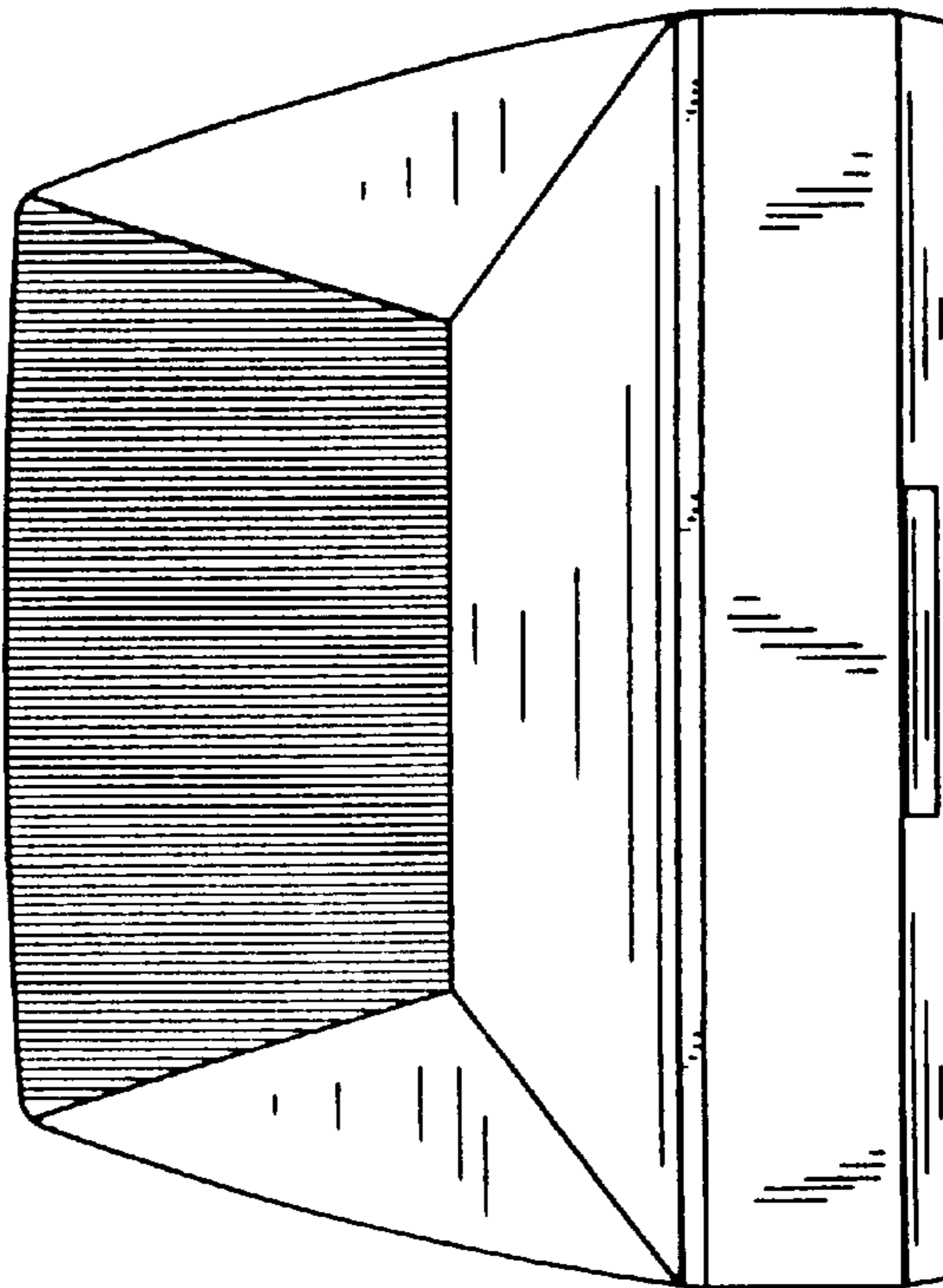


FIG. 4

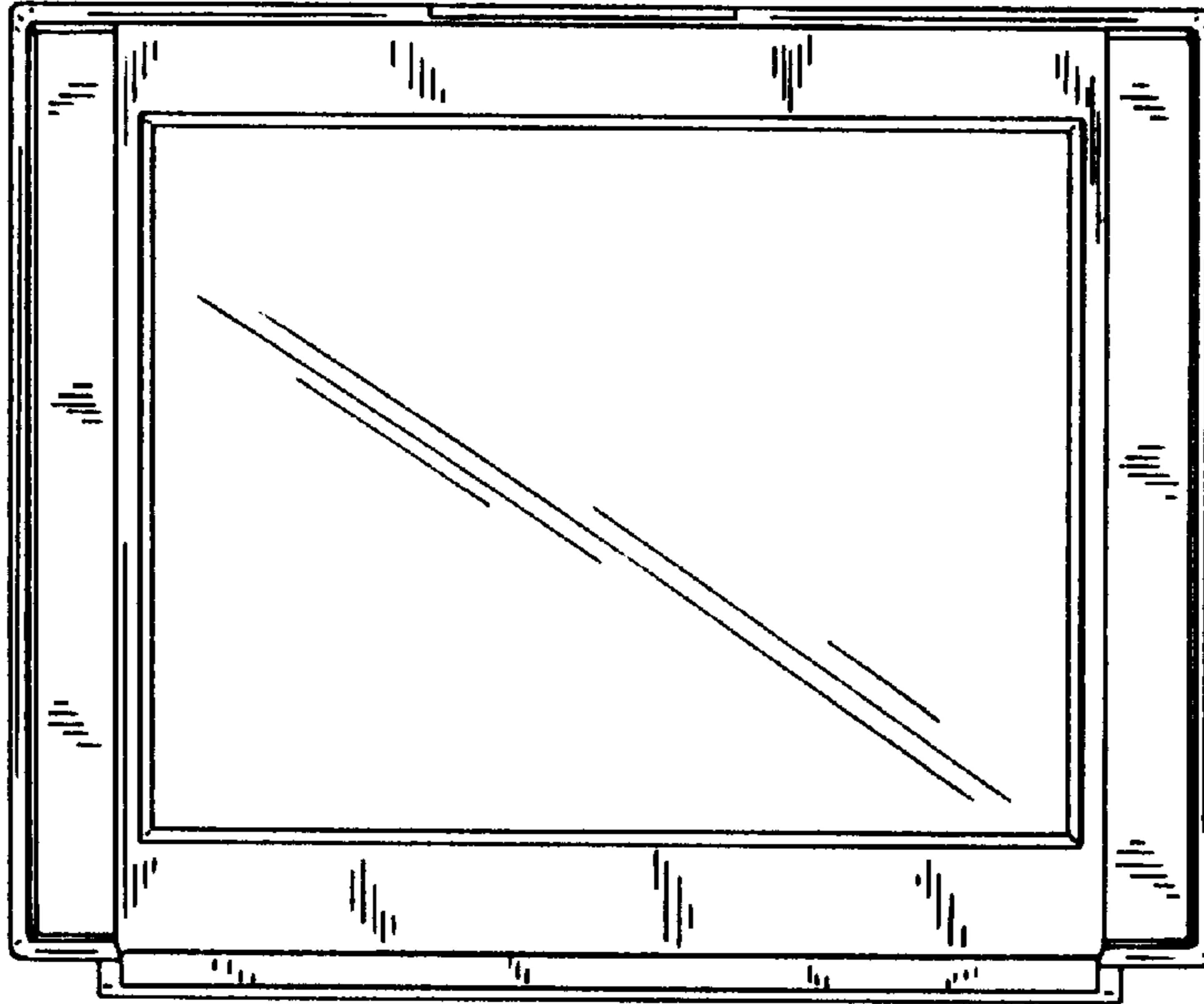


FIG. 5

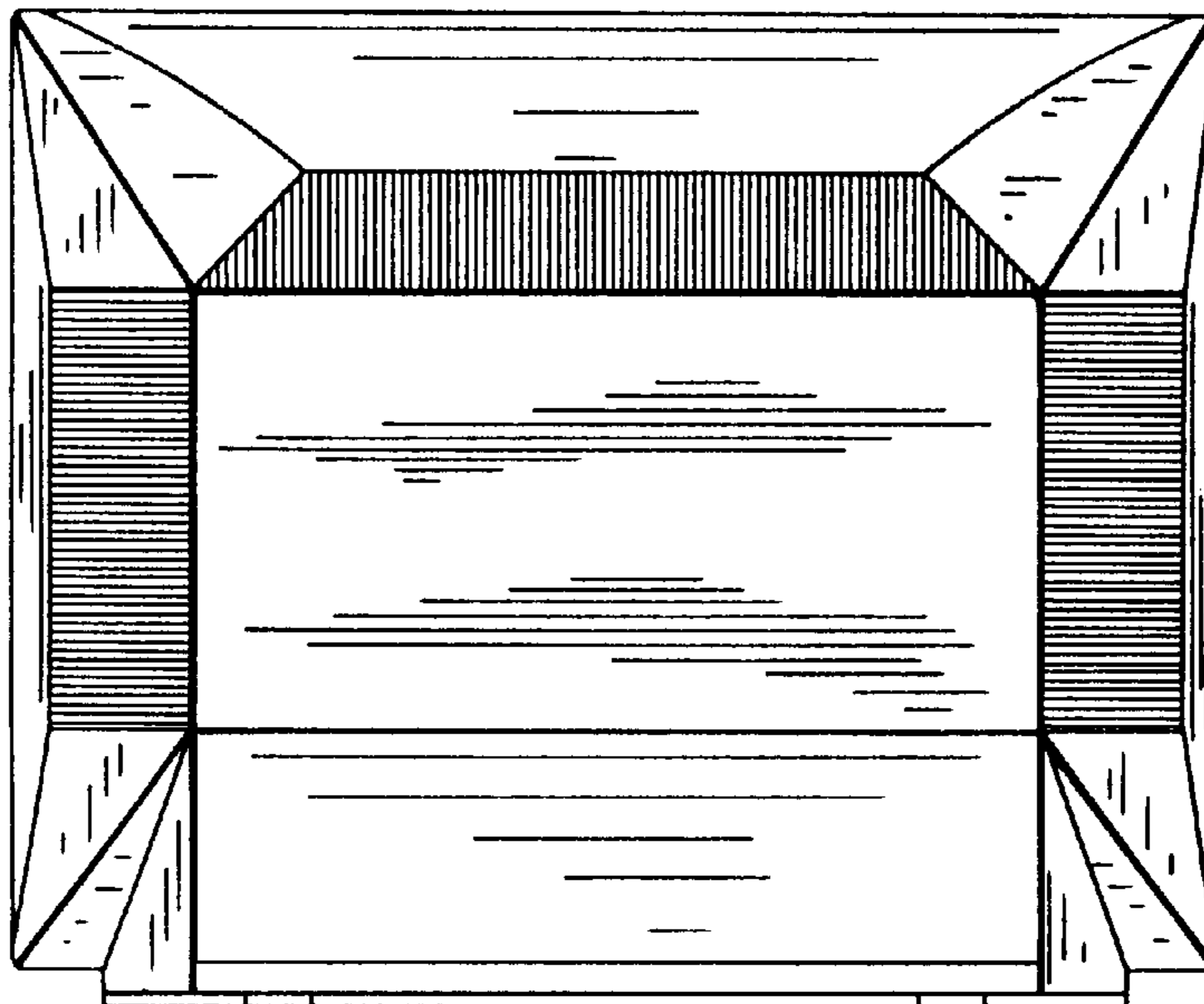


FIG. 6

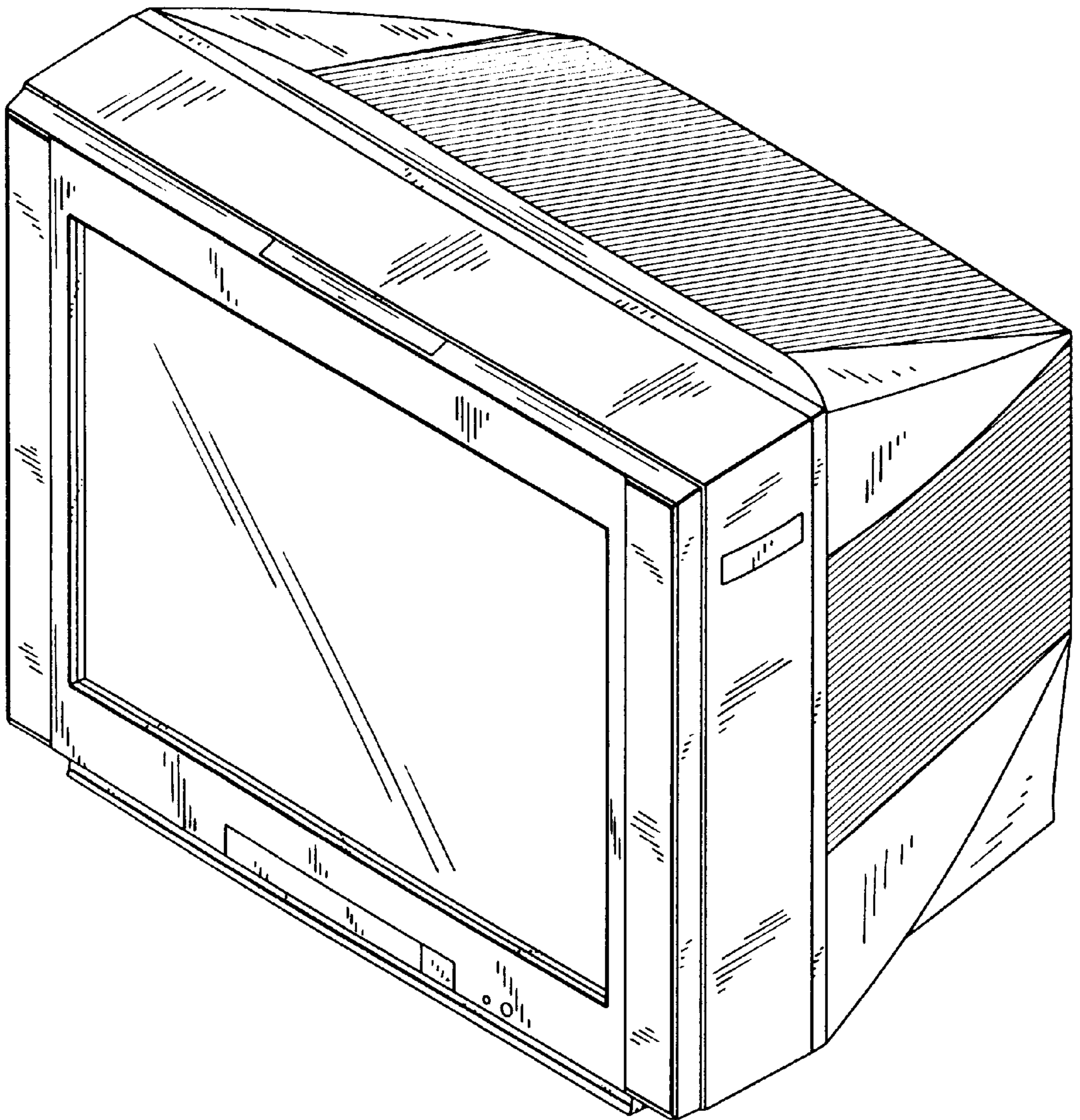


FIG. 7

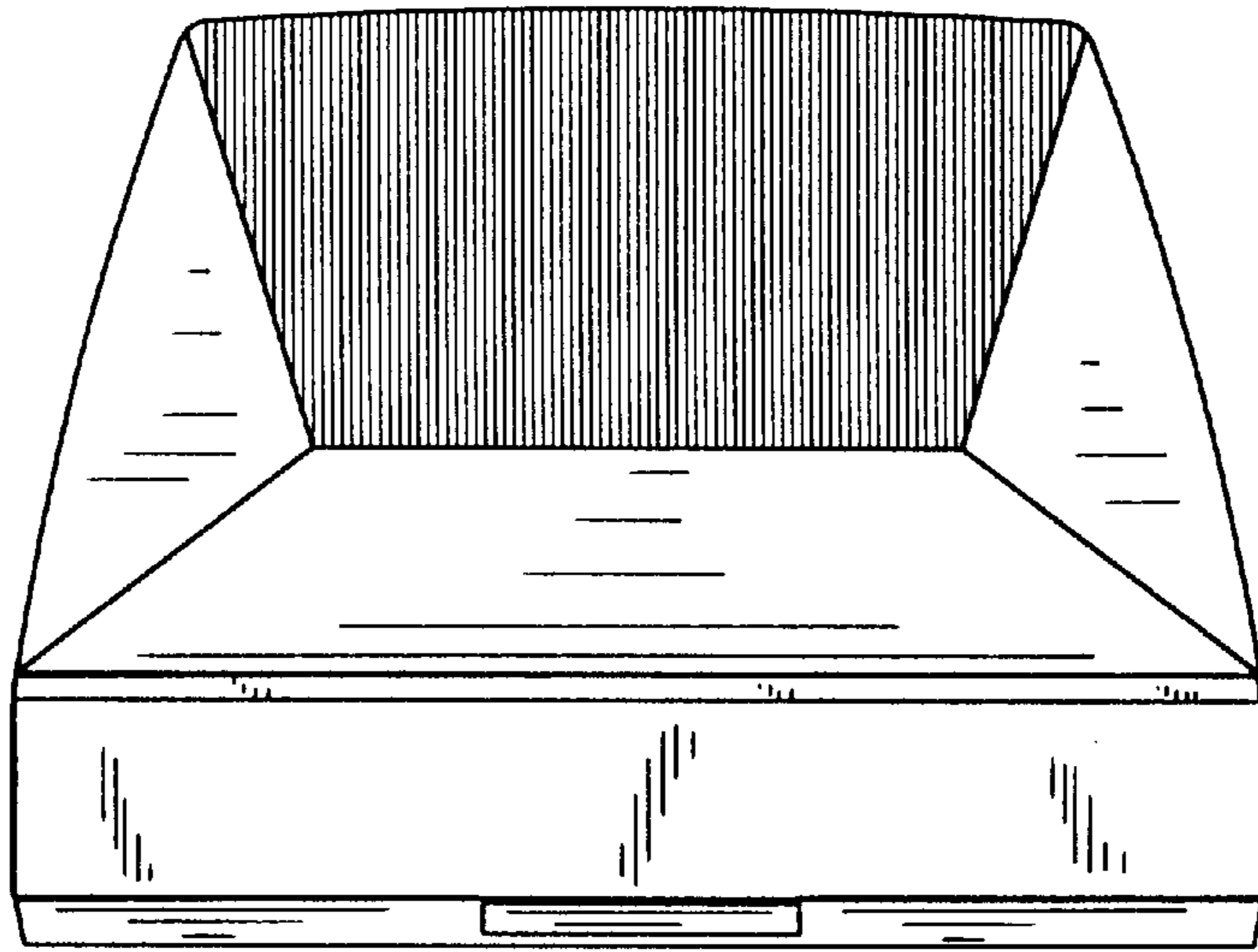


FIG. 10

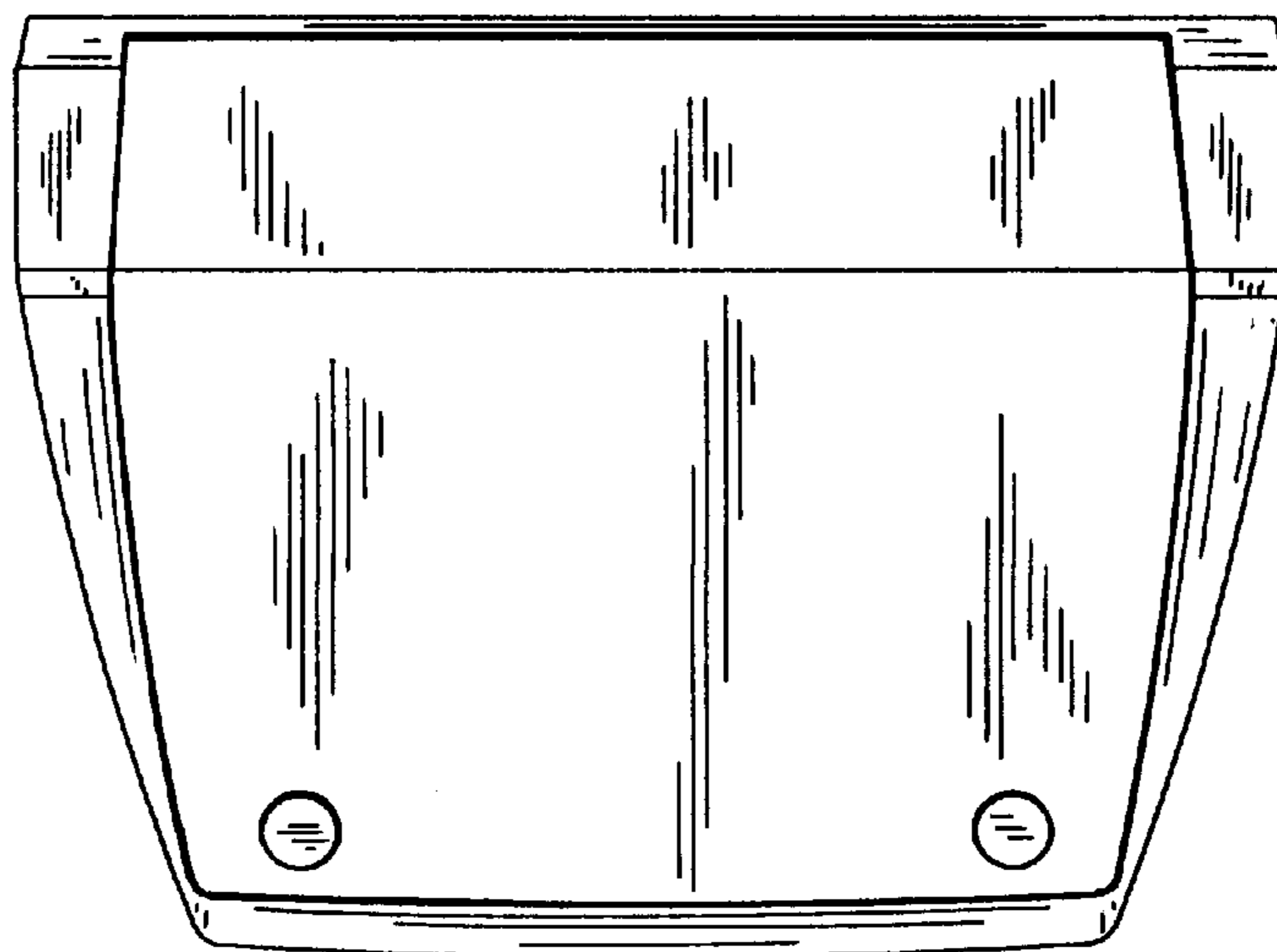


FIG. 8

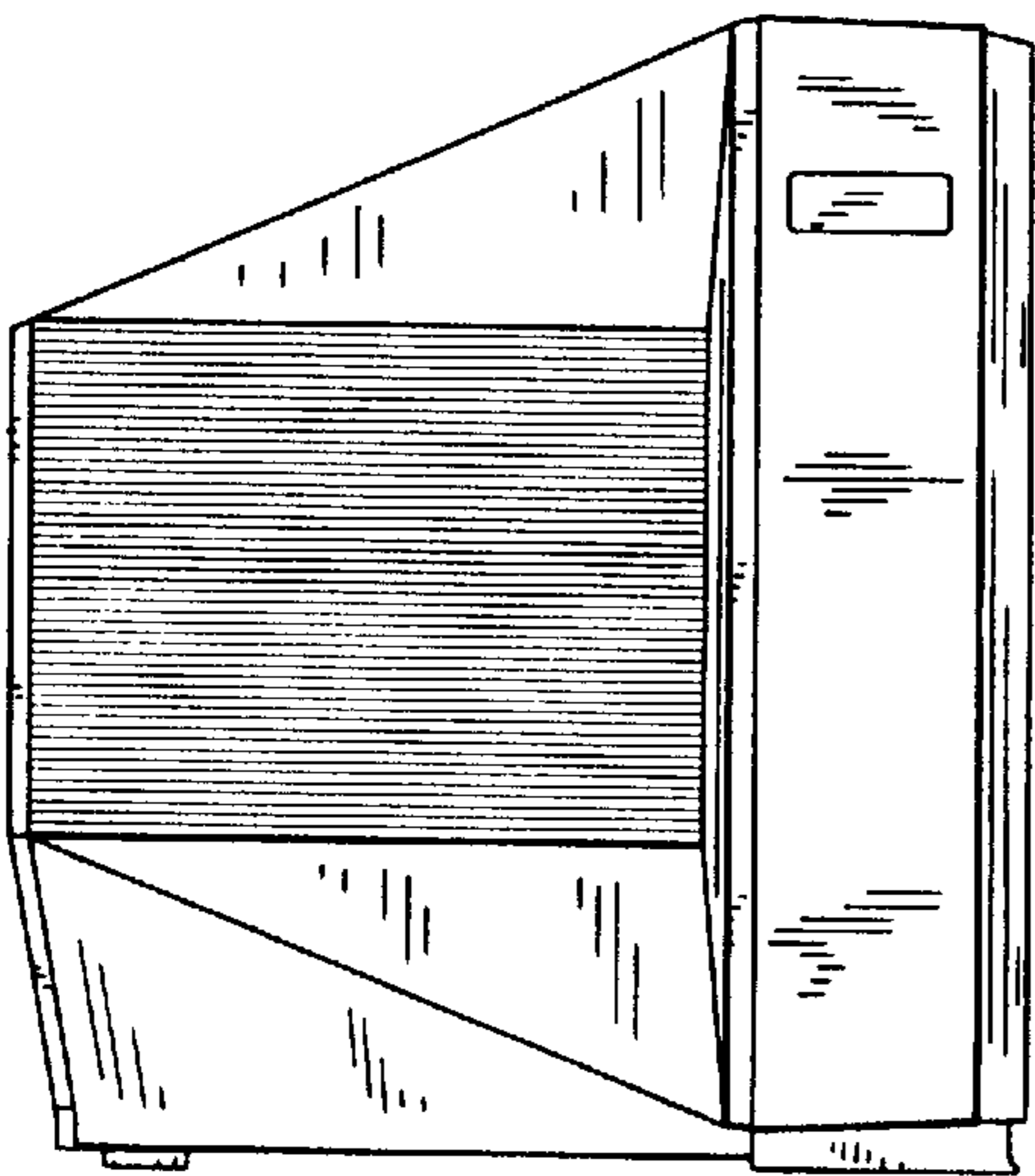


FIG. 11

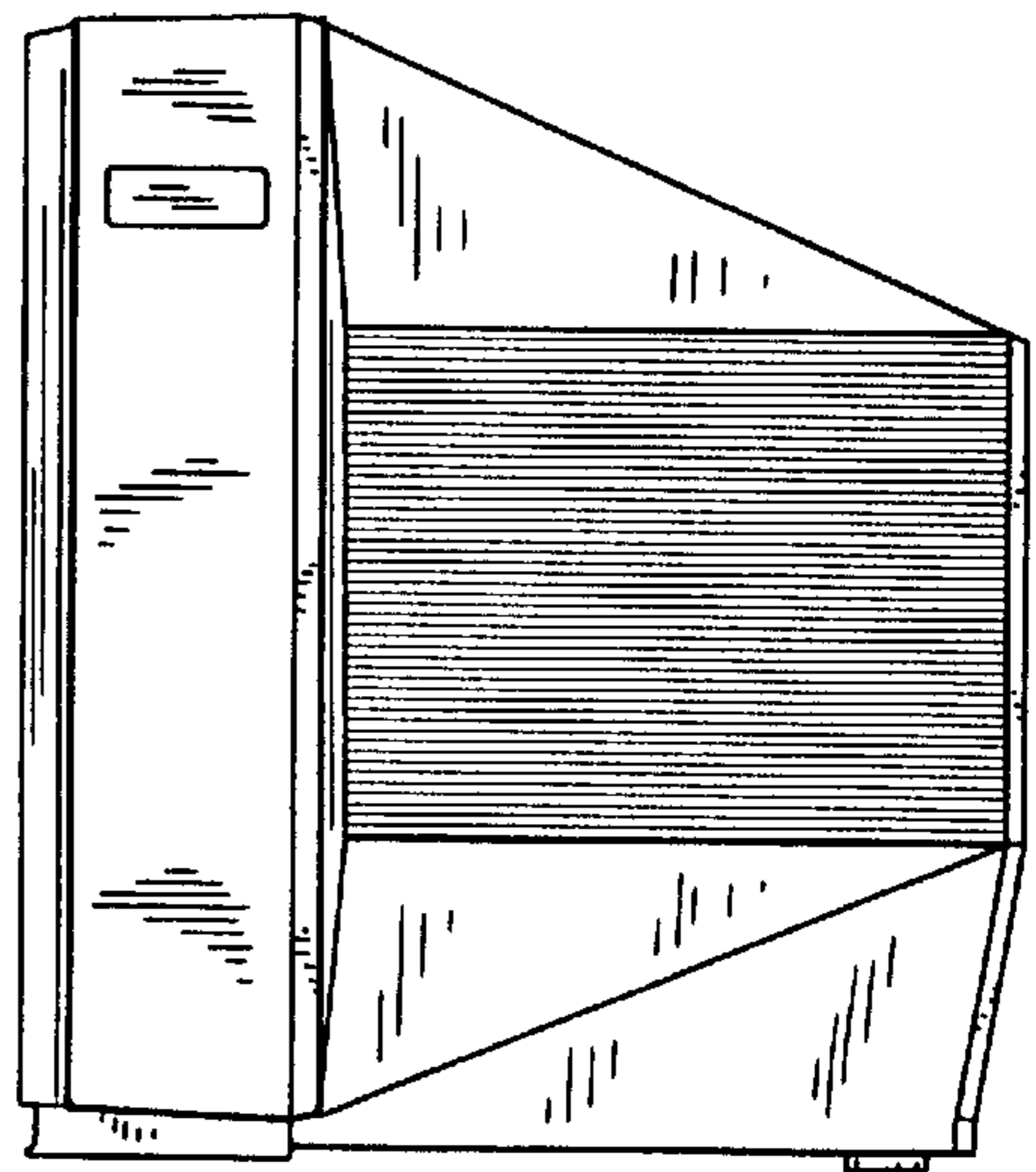


FIG. 9

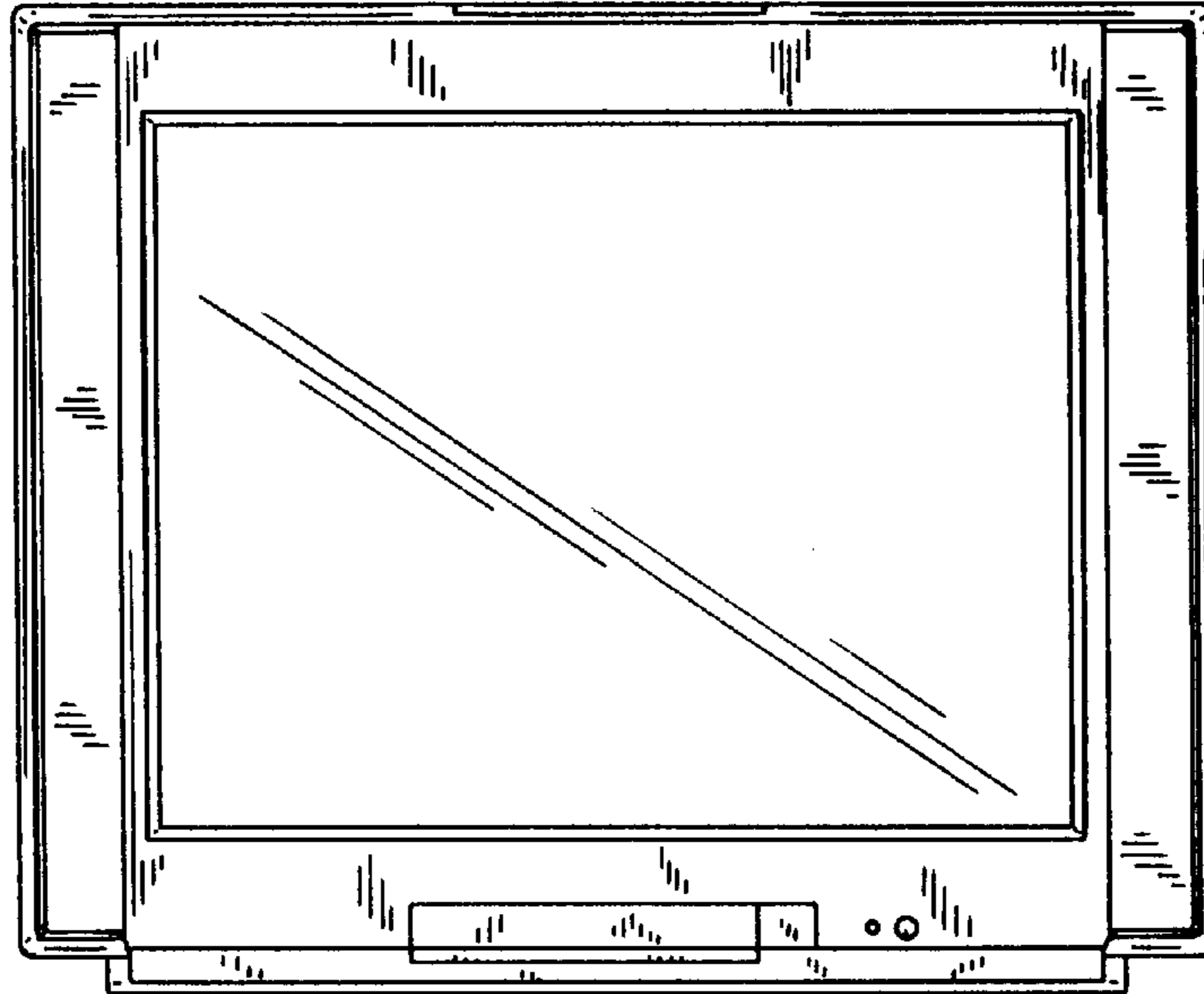


FIG. 12

