



US00D416888S

# United States Patent [19] Kitamori

[11] **Patent Number: Des. 416,888**

[45] **Date of Patent: \*\* Nov. 23, 1999**

[54] **GAME MACHINE CARTRIDGE**

[75] Inventor: **Hiroki Kitamori**, Ikoma, Japan

[73] Assignee: **SNK Corporation**, Japan

[\*\*] Term: **14 Years**

[21] Appl. No.: **29/102,507**

[22] Filed: **Mar. 26, 1999**

[30] **Foreign Application Priority Data**

Sep. 29, 1998 [JP] Japan ..... 10-28023

[51] **LOC (6) Cl. .... 14-99**

[52] **U.S. Cl. .... D14/121; D21/332**

[58] **Field of Search .... D14/100, 121,  
D14/122, 114, 217; D21/332; 273/148 B;  
463/1, 30-35, 43-47; 360/132, 133; 242/348-348.4,  
341, 335**

[56] **References Cited**

**U.S. PATENT DOCUMENTS**

D. 292,399	10/1987	Yukawa	.....	D14/114
D. 294,020	2/1988	Yukawa	.....	D14/114
D. 312,081	11/1990	Yukawa	.....	D14/121
D. 318,273	7/1991	Takaichi	.....	D14/121
D. 321,429	11/1991	Kojo	.....	D6/634
D. 330,022	10/1992	Chen	.....	D14/117
D. 350,951	9/1994	Tseng	.....	D14/121
D. 371,353	7/1996	Ashida et al.	.....	D14/121
D. 375,304	11/1996	Takahara et al.	.....	D14/121

D. 377,488	1/1997	Ashida	.....	D14/121
D. 381,977	8/1997	Nagata et al.	.....	D14/121
D. 382,868	8/1997	Ashida	.....	D14/121
D. 396,707	8/1998	Ashida	.....	D14/114
D. 406,831	3/1999	Takahashi et al.	.....	D14/121
4,865,321	9/1989	Nakagawa et al.	.....	463/46 X
5,362,068	11/1994	Liu	.....	463/46 X
5,395,112	3/1995	Darling	.....	273/148 B

*Primary Examiner*—Prabhakar Deshmukh  
*Attorney, Agent, or Firm*—Sheppard, Mullin, Richter & Hampton LLP; John A. Griecci

[57] **CLAIM**

I claim the ornamental design for a game machine cartridge, as shown and described.

**DESCRIPTION**

FIG. 1 is a perspective view of an embodiment of a game machine cartridge embodying the new design.

FIG. 2 is a top plan view of the embodiment depicted in FIG. 1.

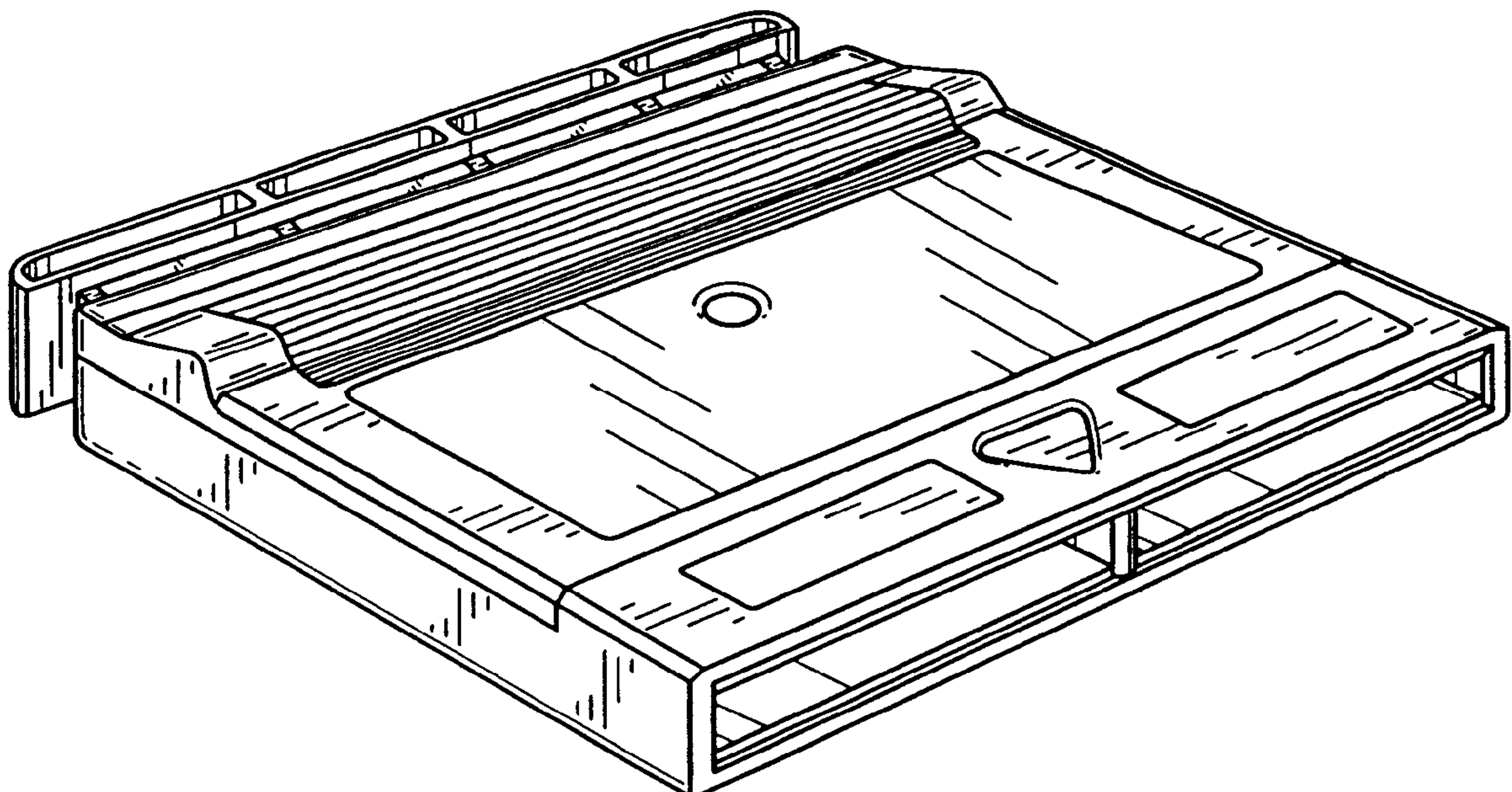
FIG. 3 is a bottom plan view of the embodiment depicted in FIG. 1.

FIG. 4 is a right side elevational view of the embodiment depicted in FIG. 1, which is a mirror image of a left side elevational view of the embodiment depicted in FIG. 1.

FIG. 5 is a front elevational view of the embodiment depicted in FIG. 1; and,

FIG. 6 is a rear elevational view of the embodiment depicted in FIG. 1.

**1 Claim, 3 Drawing Sheets**



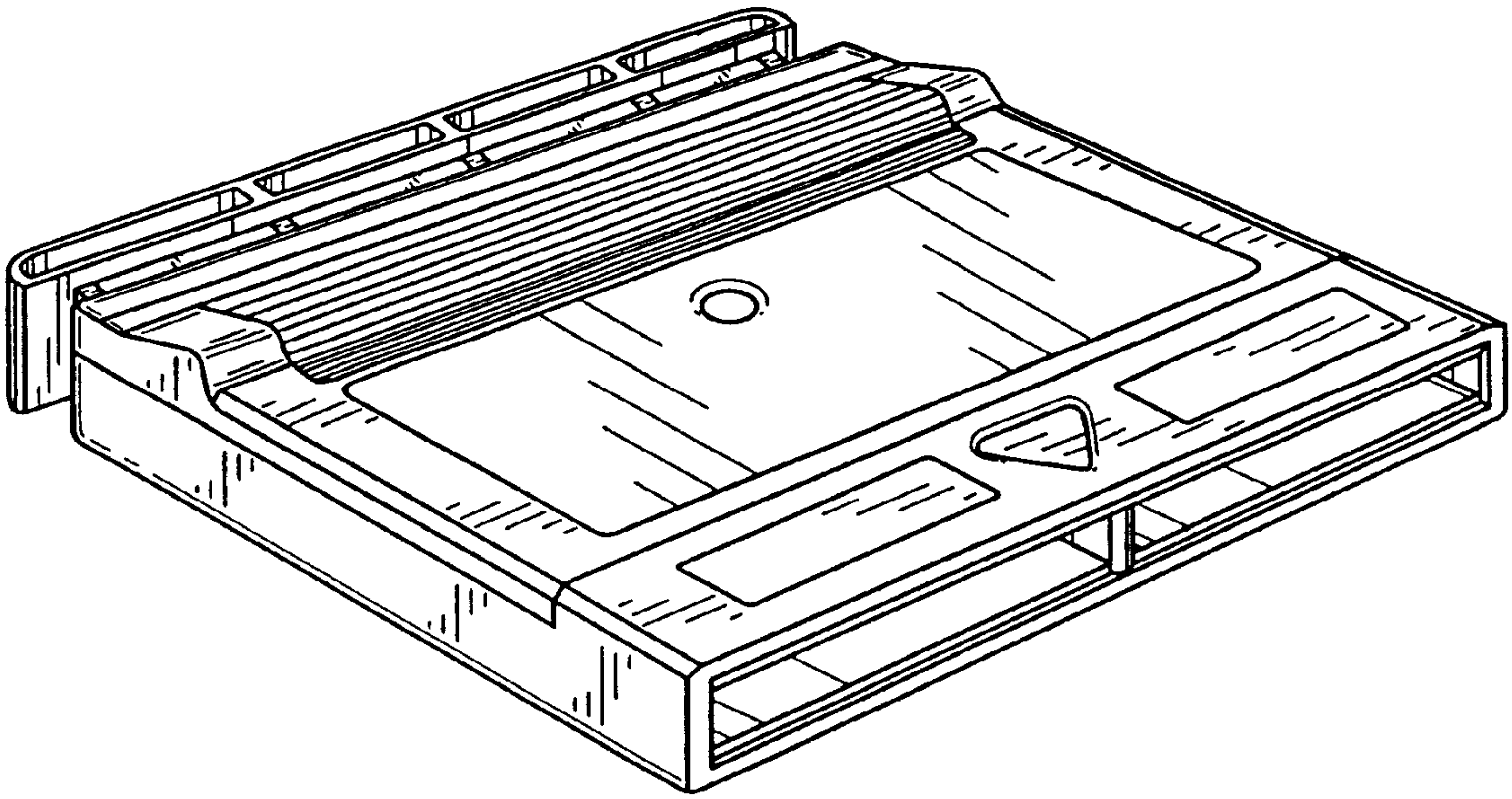


FIG. 1

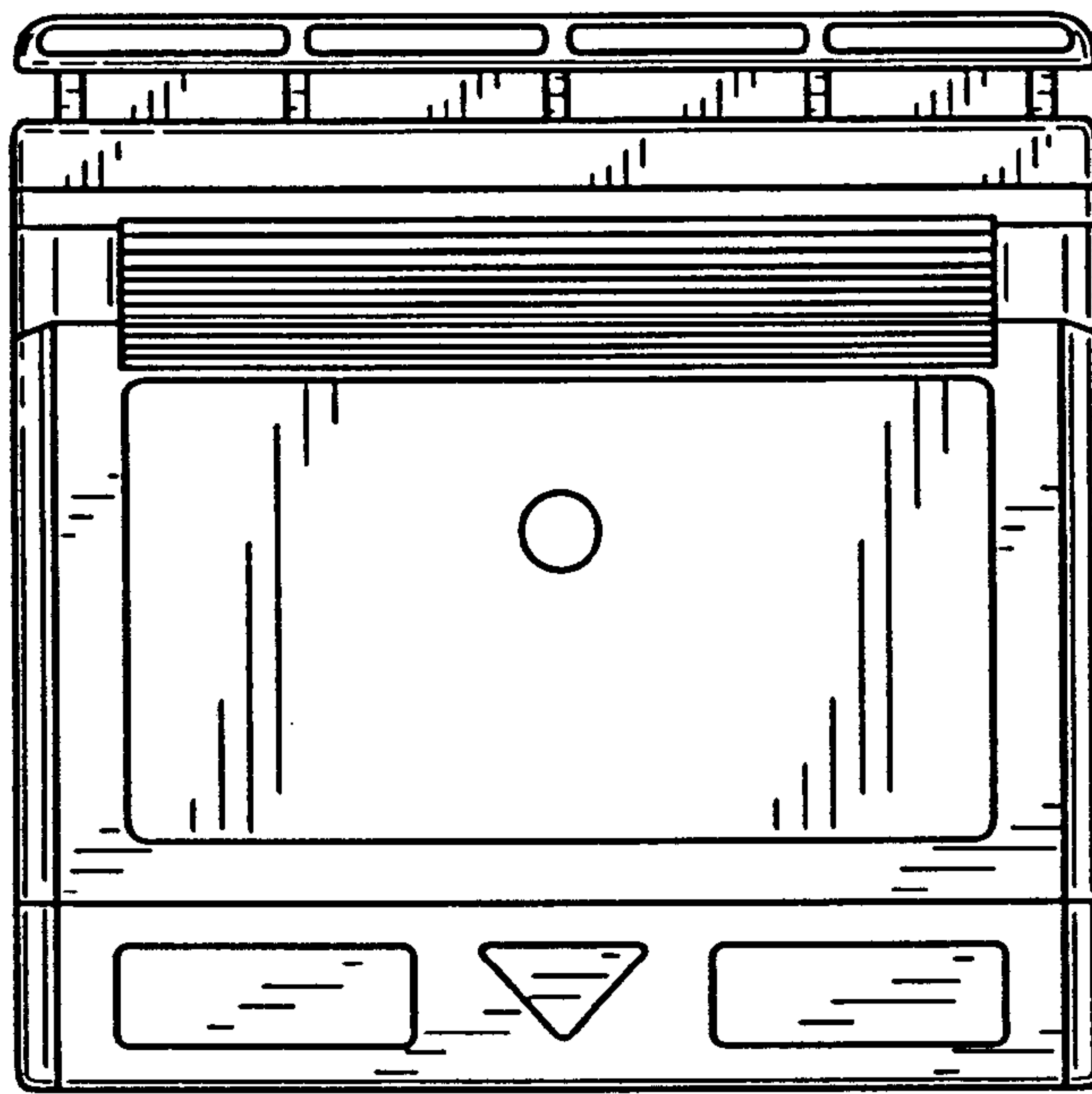


FIG. 2

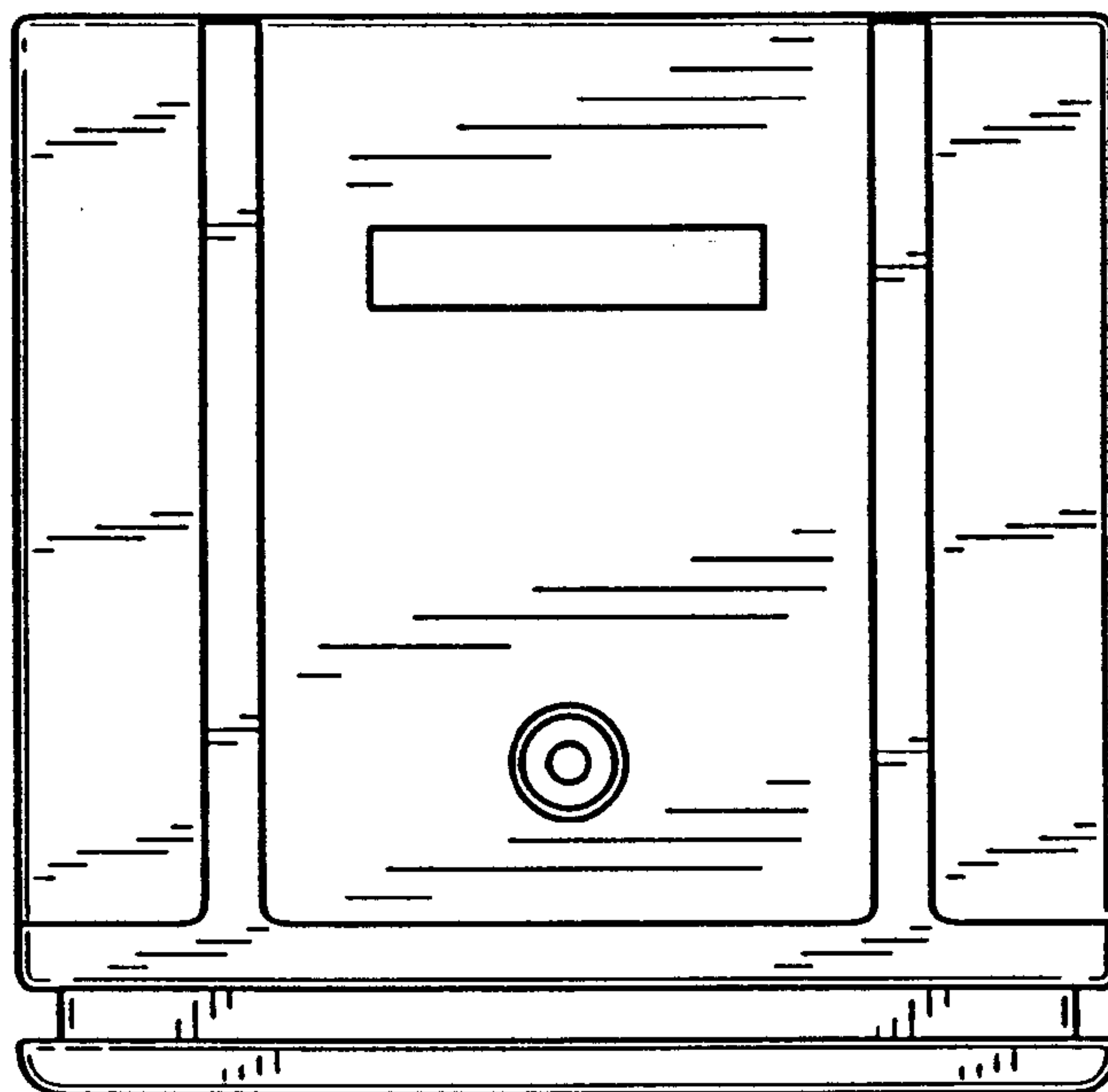


FIG. 3

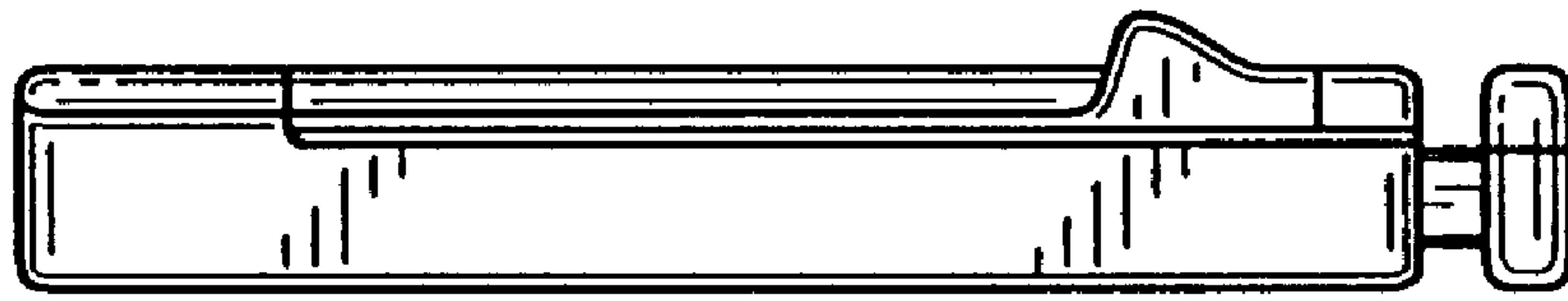


FIG. 4

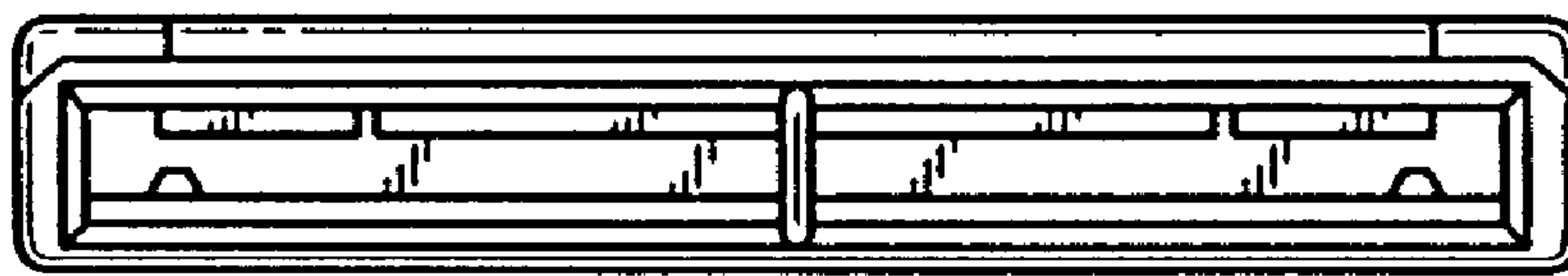


FIG. 5

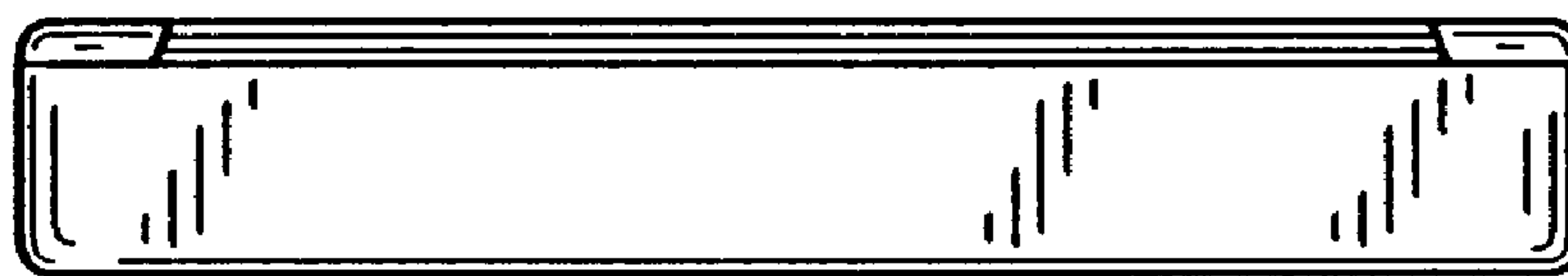


FIG. 6