



US00D416886S

United States Patent [19]

Hirai et al.

[11] Patent Number: **Des. 416,886**

[45] Date of Patent: **** Nov. 23, 1999**

[54] **COMPACT FLASH CARD**

[75] Inventors: **Yuji Hirai; Yutaka Ohtani**, both of Tokyo, Japan

[73] Assignee: **Honda Tsushin Kogyo Co., Ltd.**, Tokyo, Japan

[**] Term: **14 Years**

[21] Appl. No.: **29/098,329**

[22] Filed: **Dec. 24, 1998**

[51] **LOC (6) Cl.** **14-02**

[52] **U.S. Cl.** **D14/117**

[58] **Field of Search** D14/114, 117; D19/9-10; 40/124.01; 283/75-77, 48.1, 83, 107, 901; 235/382.5, 375, 487-94, 441-3; 361/736-7, 752; D13/182; 174/52.1; 439/152

[56] **References Cited**

U.S. PATENT DOCUMENTS

D. 305,886 2/1990 Banjo et al. D14/117

D. 330,022 10/1992 Chen D14/117
D. 345,980 4/1994 Scheid et al. D14/117 X
D. 368,082 3/1996 Goto D14/114
D. 405,441 2/1999 Saito et al. D14/117
D. 405,778 2/1999 Klinker D14/117
D. 407,392 3/1999 Kleineidam D14/117

Primary Examiner—M. H. Tung
Attorney, Agent, or Firm—Nikaido, Marmelstein, Murray & Oram LLP

[57] **CLAIM**

The original design for compact flash card, as shown and described.

DESCRIPTION

FIG. 1 is a perspective view of the compact flash card showing my new design;
FIG. 2 is a front elevational view thereof;
FIG. 3 is a top plan view thereof;
FIG. 4 is a rear elevational view thereof;
FIG. 5 is a left side elevational view thereof;
FIG. 6 is a right side elevational view thereof; and,
FIG. 7 is a bottom plan view thereof.

1 Claim, 2 Drawing Sheets

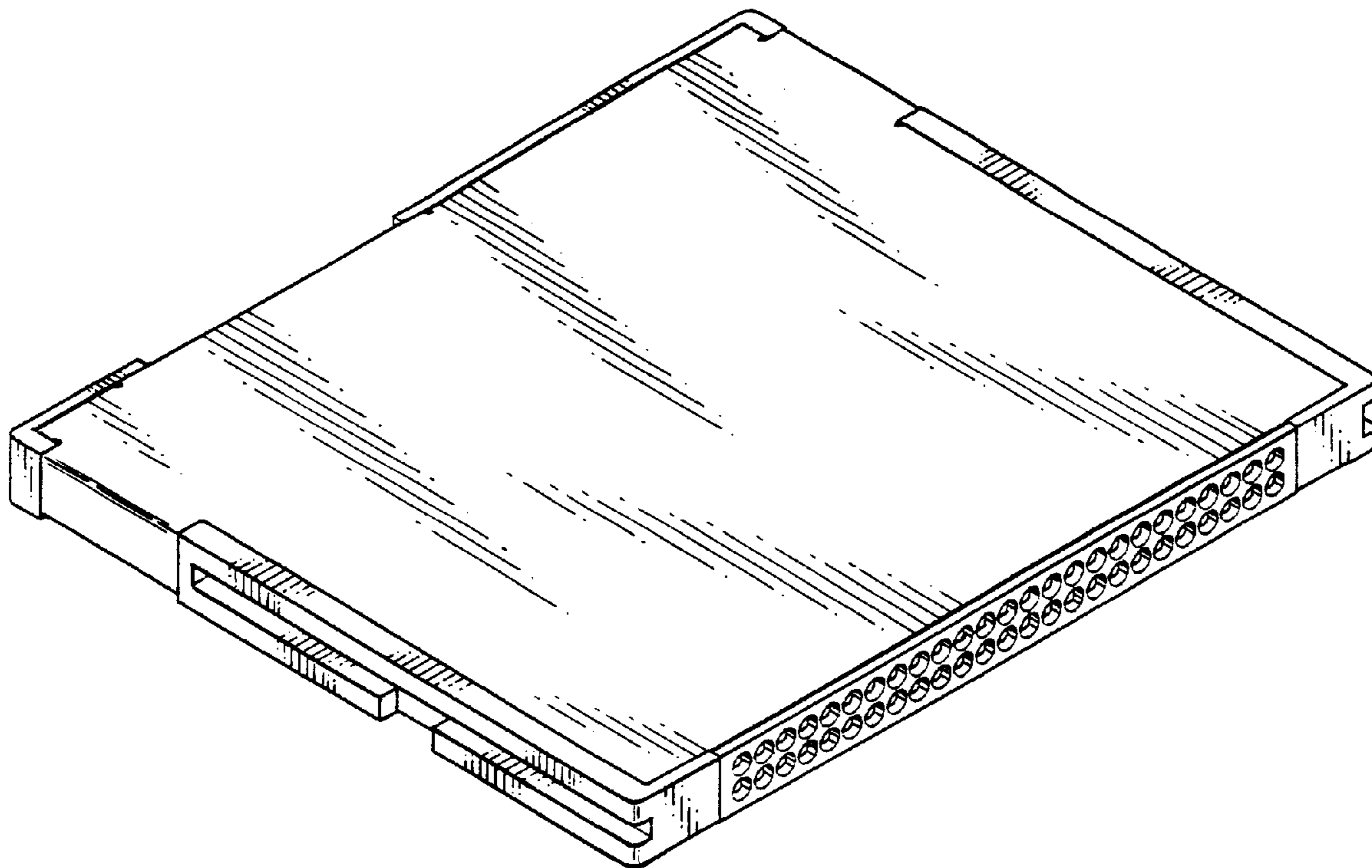


FIG. 1

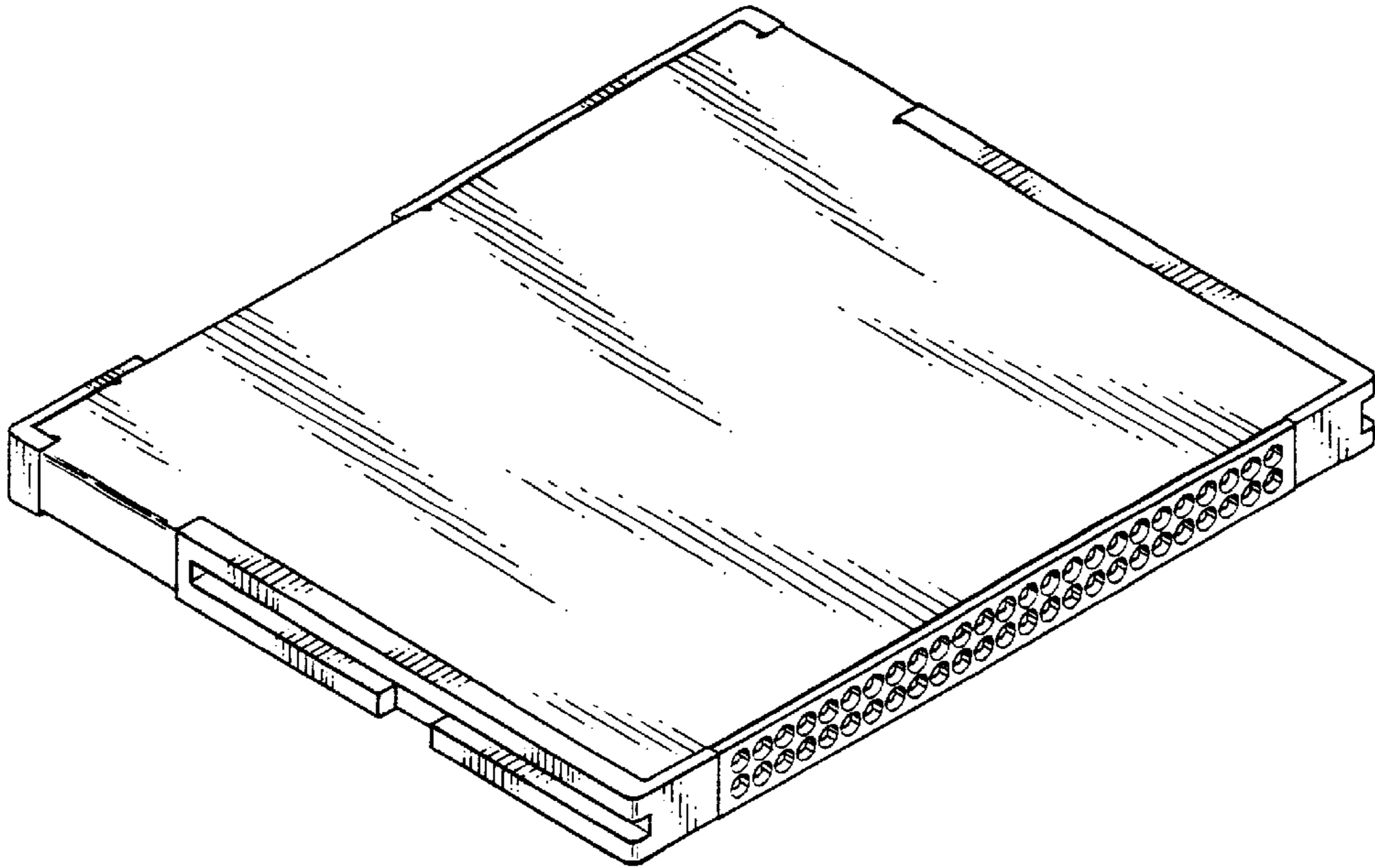


FIG. 2

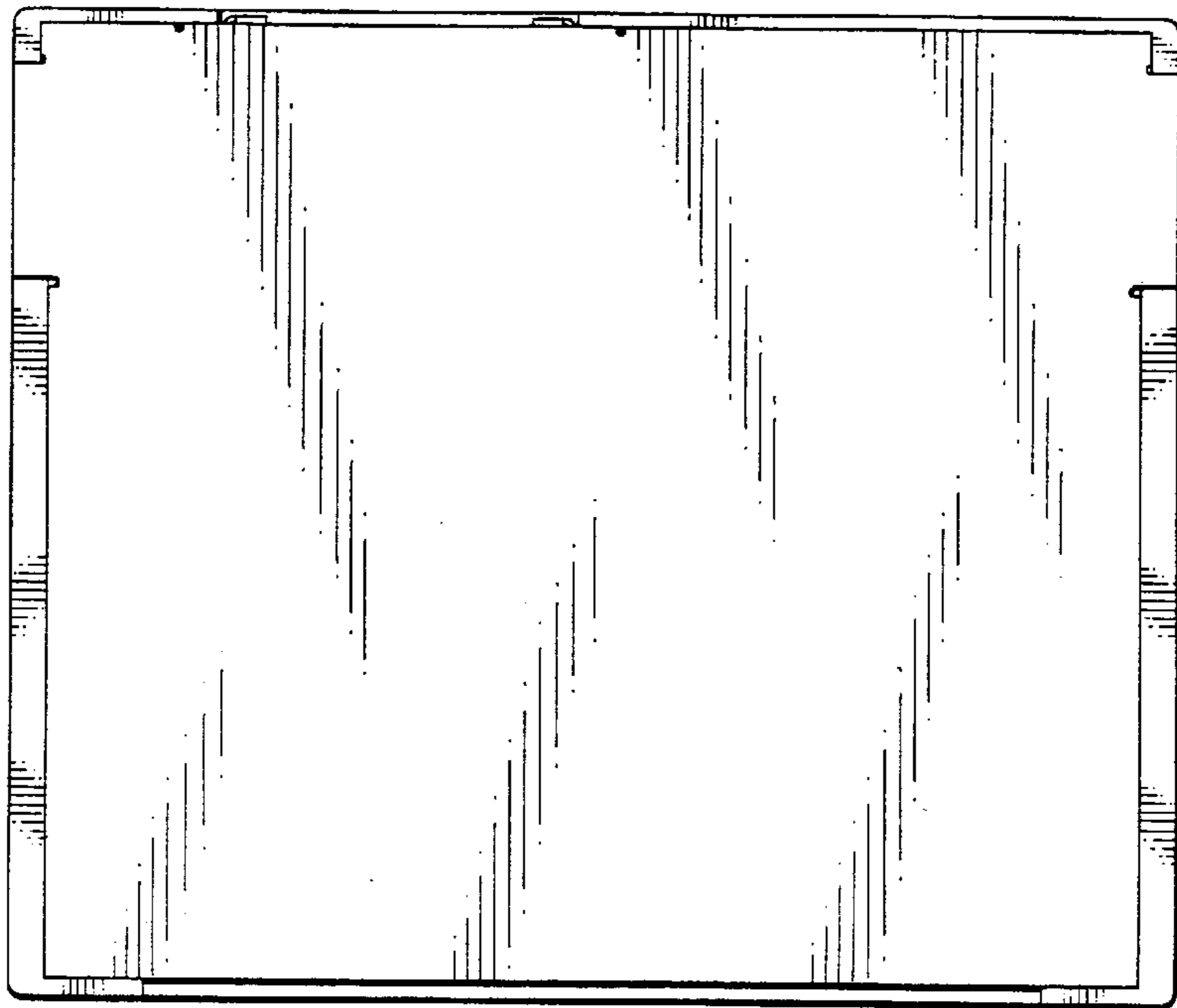


FIG. 3

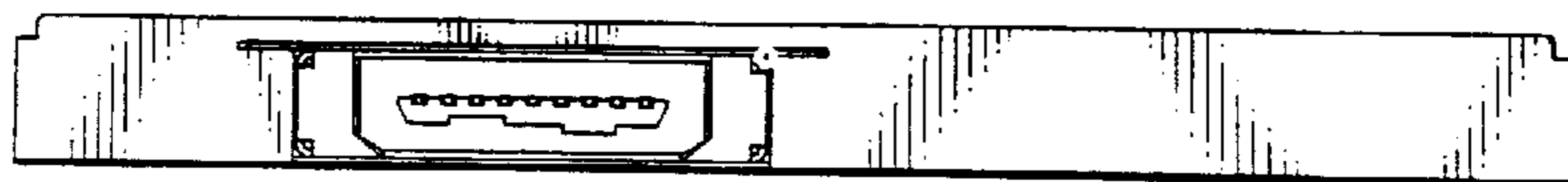


FIG. 4

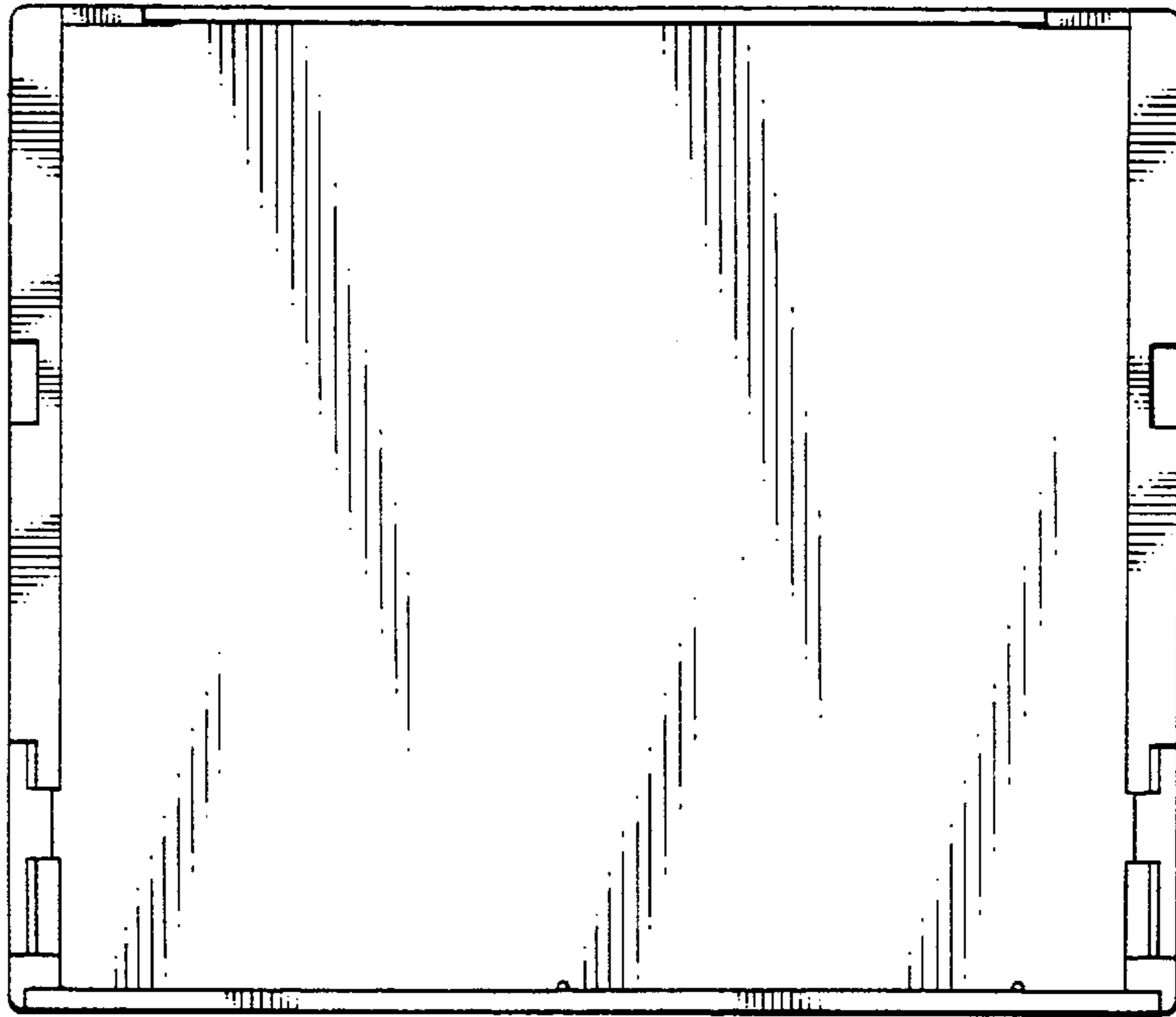


FIG. 5



FIG. 6

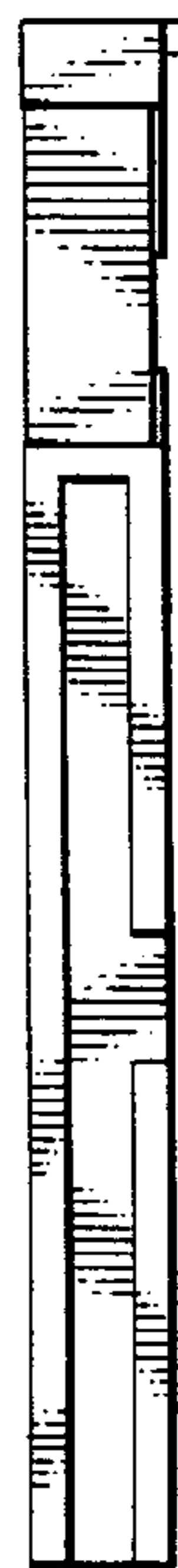


FIG. 7

